



US00D469253S

(12) **United States Design Patent**
Lewis

(10) **Patent No.:** **US D469,253 S**
(45) **Date of Patent:** **** Jan. 28, 2003**

(54) **INJECTION MOLDED CONTAINER**

D441,192 S * 5/2001 Park D3/294

(76) Inventor: **Huw Lewis**, 33 Pendula Road,
Walsokew Wisbech PE13 3RR (GB)

* cited by examiner

(**) Term: **14 Years**

Primary Examiner—Philip S. Hyder
(74) *Attorney, Agent, or Firm*—Donald L. Bowman;
Richard L. Schmalz

(21) Appl. No.: **29/146,503**

(57) **CLAIM**

(22) Filed: **Aug. 10, 2001**

The ornamental design for an injection molded container, as shown.

(51) **LOC (7) Cl.** **03-01**

(52) **U.S. Cl.** **D3/294; D3/295**

(58) **Field of Search** D3/273, 294, 295,
D3/283, 302; D9/420, 423, 424; 206/379;
220/500, 529

DESCRIPTION

(56) **References Cited**

U.S. PATENT DOCUMENTS

- D321,284 S * 11/1991 Marsella et al. D3/295
- D339,742 S * 9/1993 Walchek et al. D9/339
- D341,248 S * 11/1993 Kataoka et al. D16/249
- D365,892 S * 1/1996 Markham D28/83
- D404,201 S * 1/1999 Wennerstrom D3/294
- D418,297 S * 1/2000 Budert D3/286

FIG. 1 is an isometric view of a closed injection molded according to the invention;
FIG. 2 is an isometric view of a partially opened injection molded container;
FIG. 3 is an isometric view of a fully opened injection molded container;
FIG. 4 is a top plan view of a fully opened injection molded container; and,
FIG. 5 is a side elevation view of a fully opened injection molded container.

1 Claim, 5 Drawing Sheets

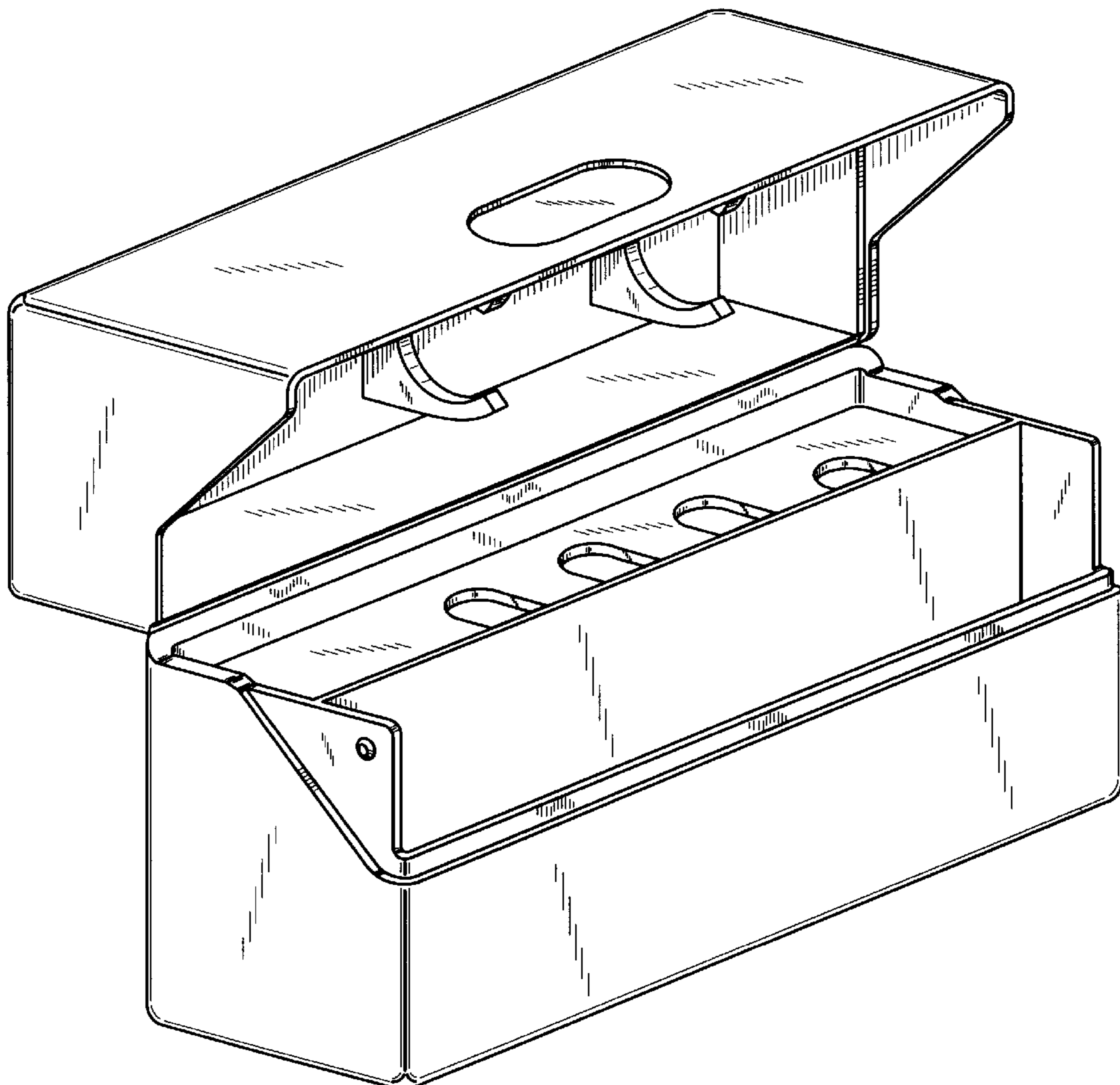
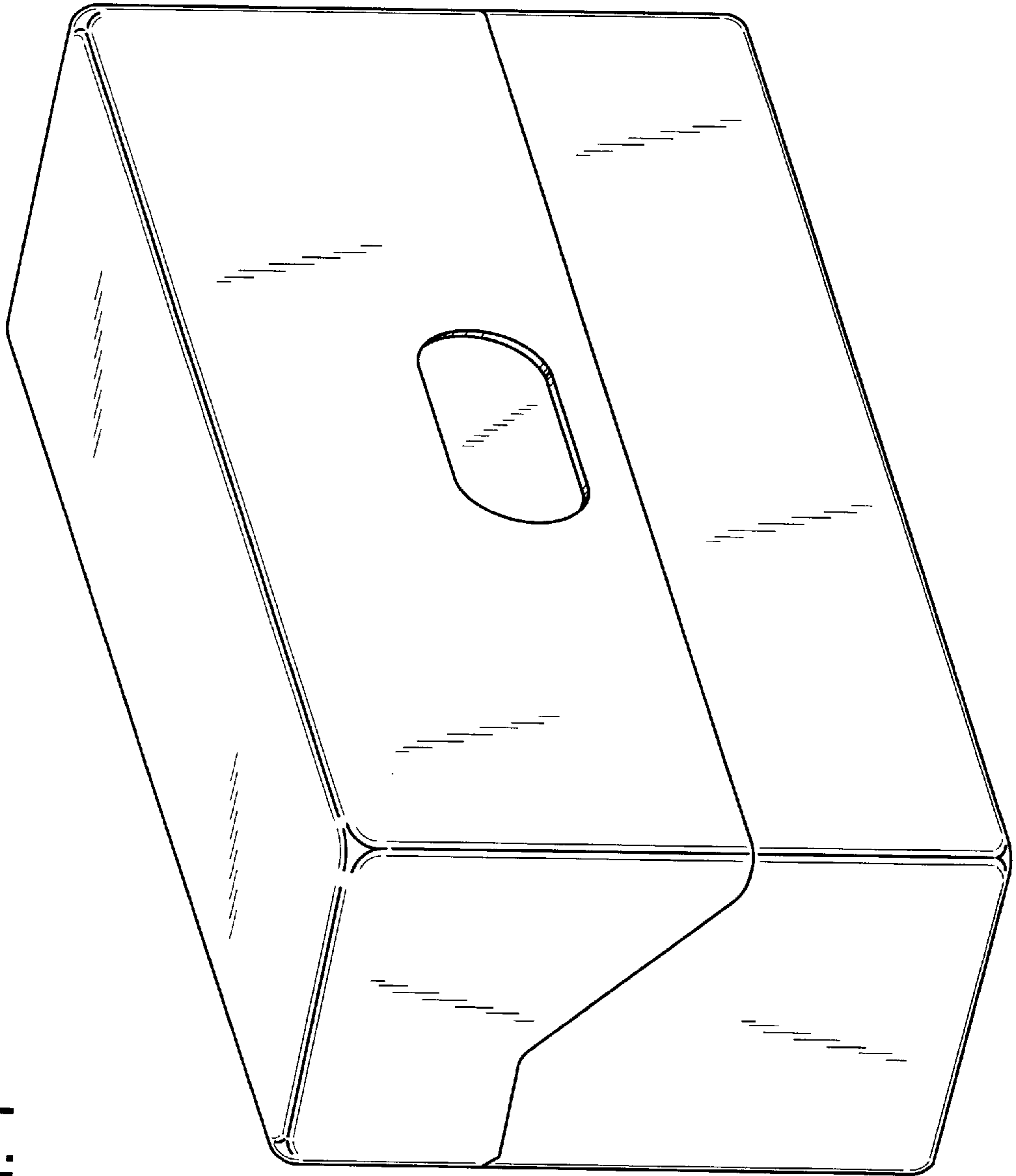


FIG. 1



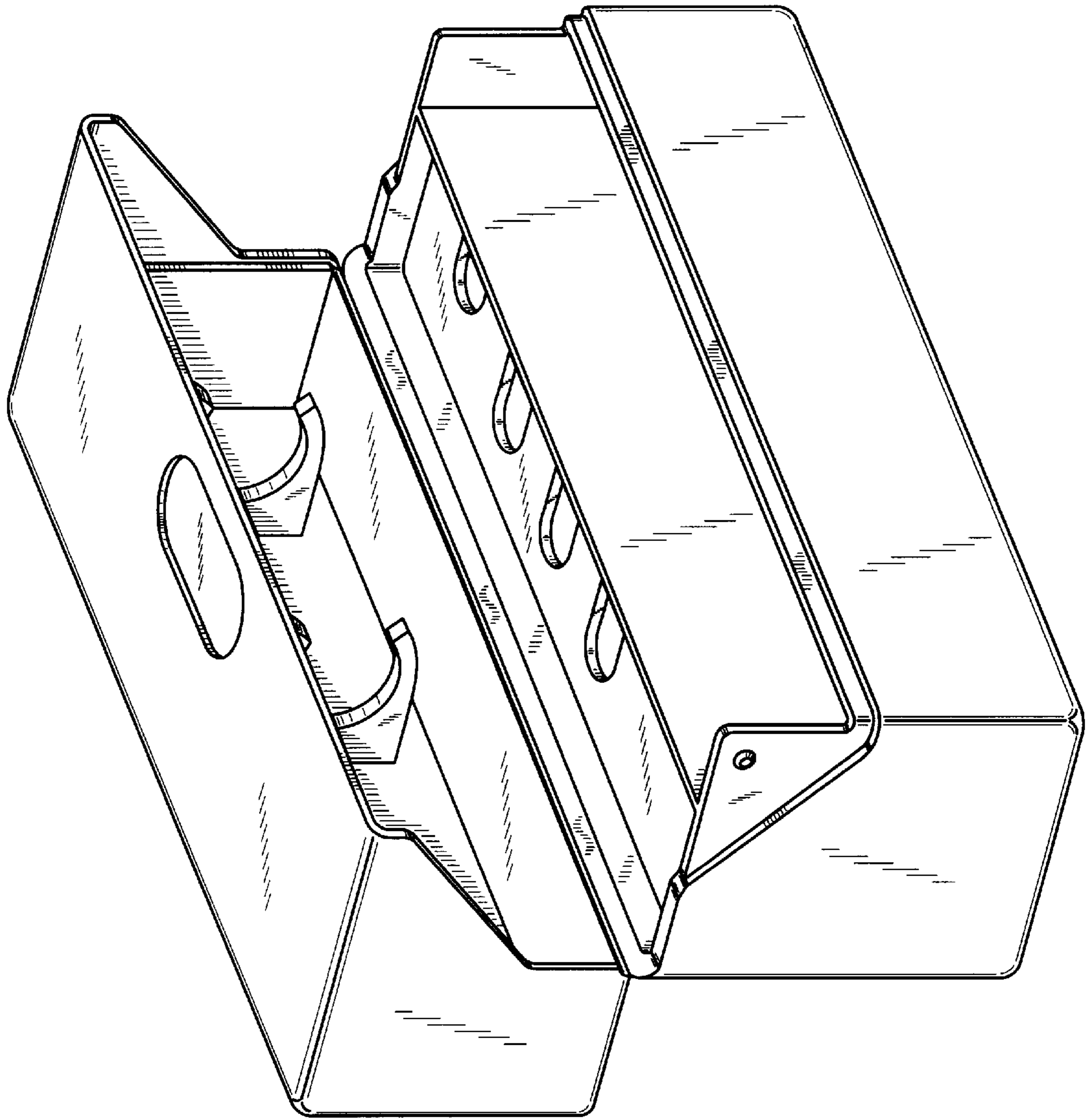


FIG. 2

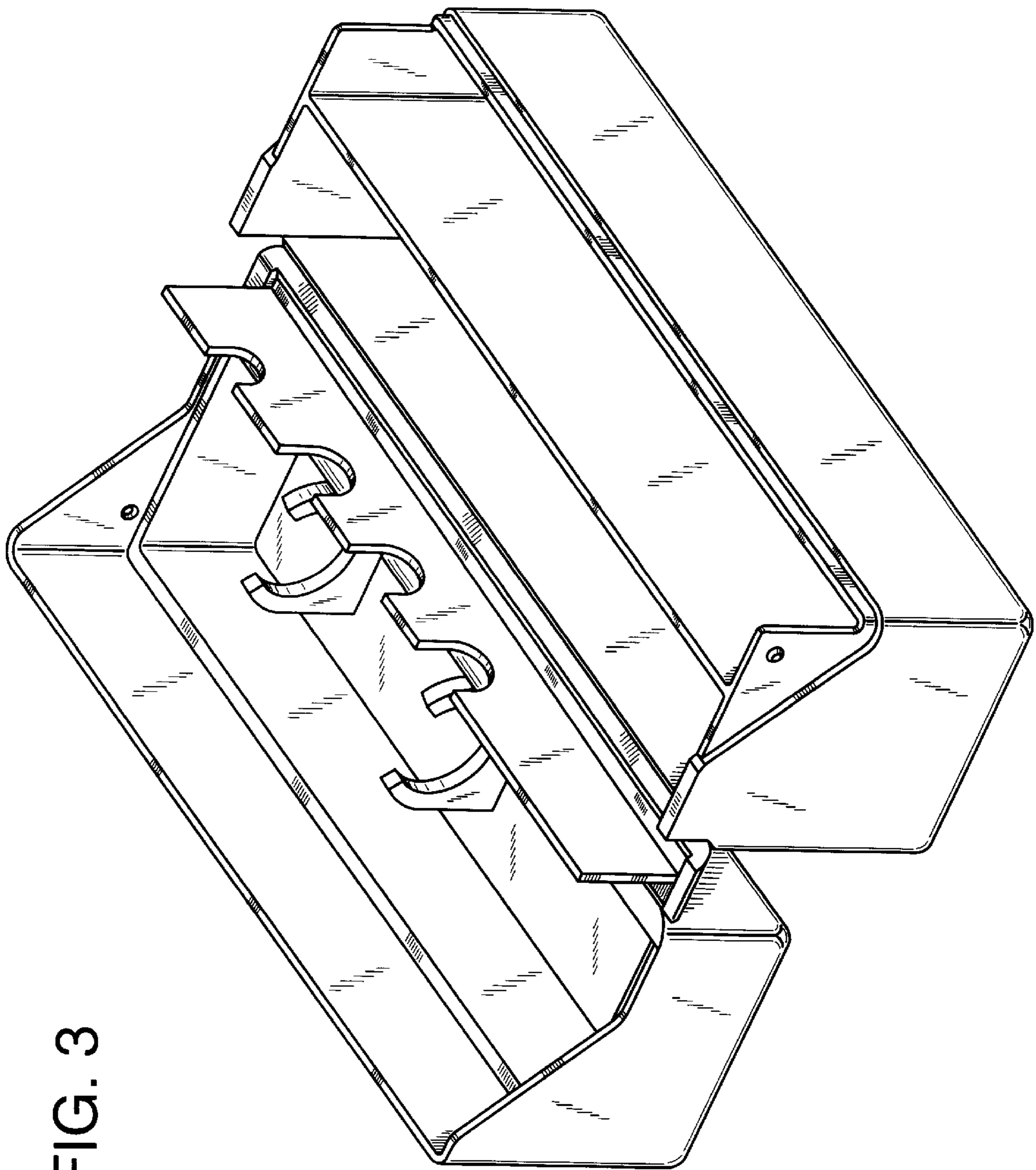


FIG. 3

FIG. 4

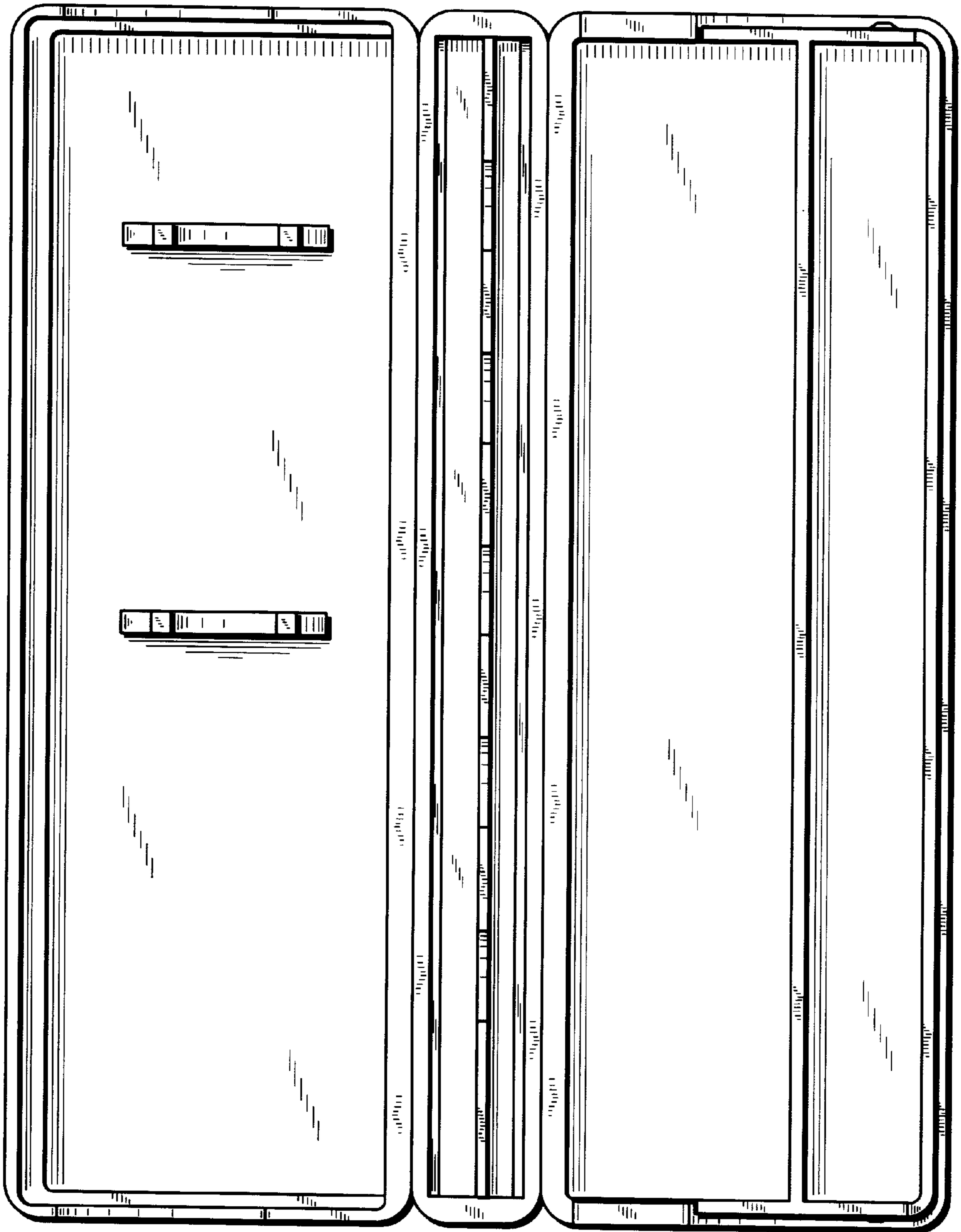


FIG. 5

