



US00D469250S

(12) **United States Design Patent**  
**Armstrong**

(10) **Patent No.:** **US D469,250 S**

(45) **Date of Patent:** **\*\* Jan. 28, 2003**

(54) **BELT HOOK**

D452,610 S \* 1/2002 Schwartzmiller ..... D3/228  
D453,069 S \* 1/2002 Smith ..... D3/228

(76) Inventor: **William Edward Armstrong**, 41 Felt Crescent, Barrie, Ontario (CA), L4N 8V1

\* cited by examiner

(\*\*) Term: **14 Years**

*Primary Examiner*—Catherine R. Oliver  
(74) *Attorney, Agent, or Firm*—Dimock Stratton Clarizio; Mark B. Eisen

(21) Appl. No.: **29/138,543**

(57) **CLAIM**

(22) Filed: **Mar. 16, 2001**

The ornamental design for a belt hook, as shown and described.

(30) **Foreign Application Priority Data**

Sep. 20, 1999 (CA) ..... 2000-2499

**DESCRIPTION**

(51) **LOC (7) Cl.** ..... **03-01**

FIG. 1 is a perspective view of the belt hook.

(52) **U.S. Cl.** ..... **D3/228**

FIG. 2 is a front elevational view of the belt hook of FIG. 1.

(58) **Field of Search** ..... D3/228, 215, 221, D3/226, 224; 224/901, 904, 240, 245, 268, 253, 671-674, 666; D8/373; 24/3.6, 3.11, 3.12

FIG. 3 is a rear elevational view of the belt hook of FIG. 1.

FIG. 4 is a side elevational view of the belt hook of FIG. 1, the opposite side being a mirror image thereof.

FIG. 5 is a top plan view of the belt hook of FIG. 1.

FIG. 6 is a bottom plan view of the belt hook of FIG. 1.

FIG. 7 is a perspective view of a variant of the belt hook.

FIG. 8 is a front elevational view of the belt hook of FIG. 7.

FIG. 9 is a rear elevational view of the belt hook of FIG. 7.

FIG. 10 is a side elevational view of the belt hook of FIG. 7, the opposite side being a mirror image thereof.

FIG. 11 is a top plan view of the belt hook of FIG. 7; and,

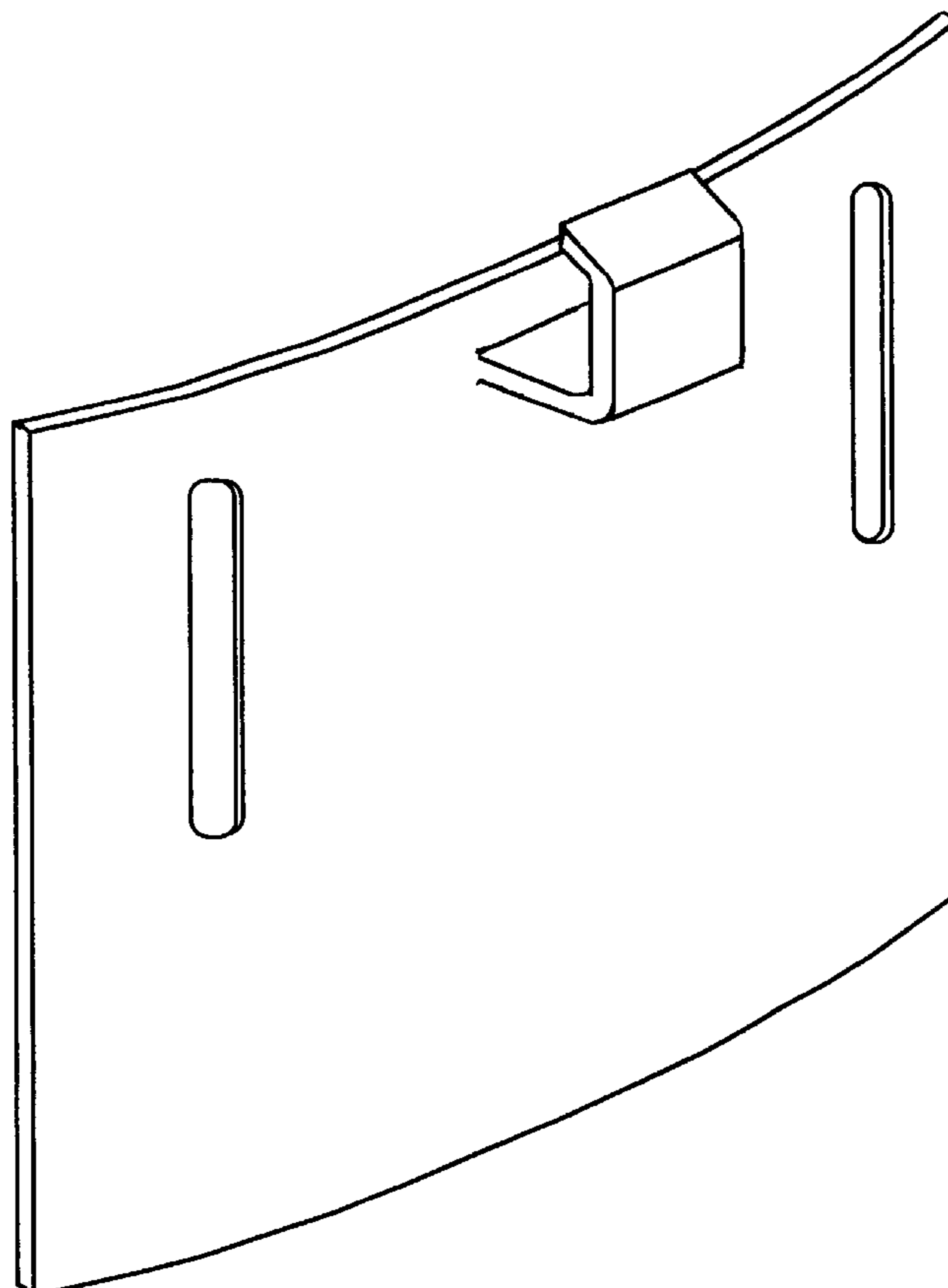
FIG. 12 is a bottom plan view of the belt hook of FIG. 7.

(56) **References Cited**

**U.S. PATENT DOCUMENTS**

D221,123 S \* 7/1971 Nicholas ..... D3/228  
4,757,927 A \* 7/1988 Ruddy ..... 224/253  
4,790,461 A \* 12/1988 Stover ..... 224/241  
D329,748 S \* 9/1992 Ehlin ..... D3/228  
5,687,892 A \* 11/1997 Johns ..... 224/268  
D399,055 S \* 10/1998 Coady ..... D3/228

**1 Claim, 6 Drawing Sheets**



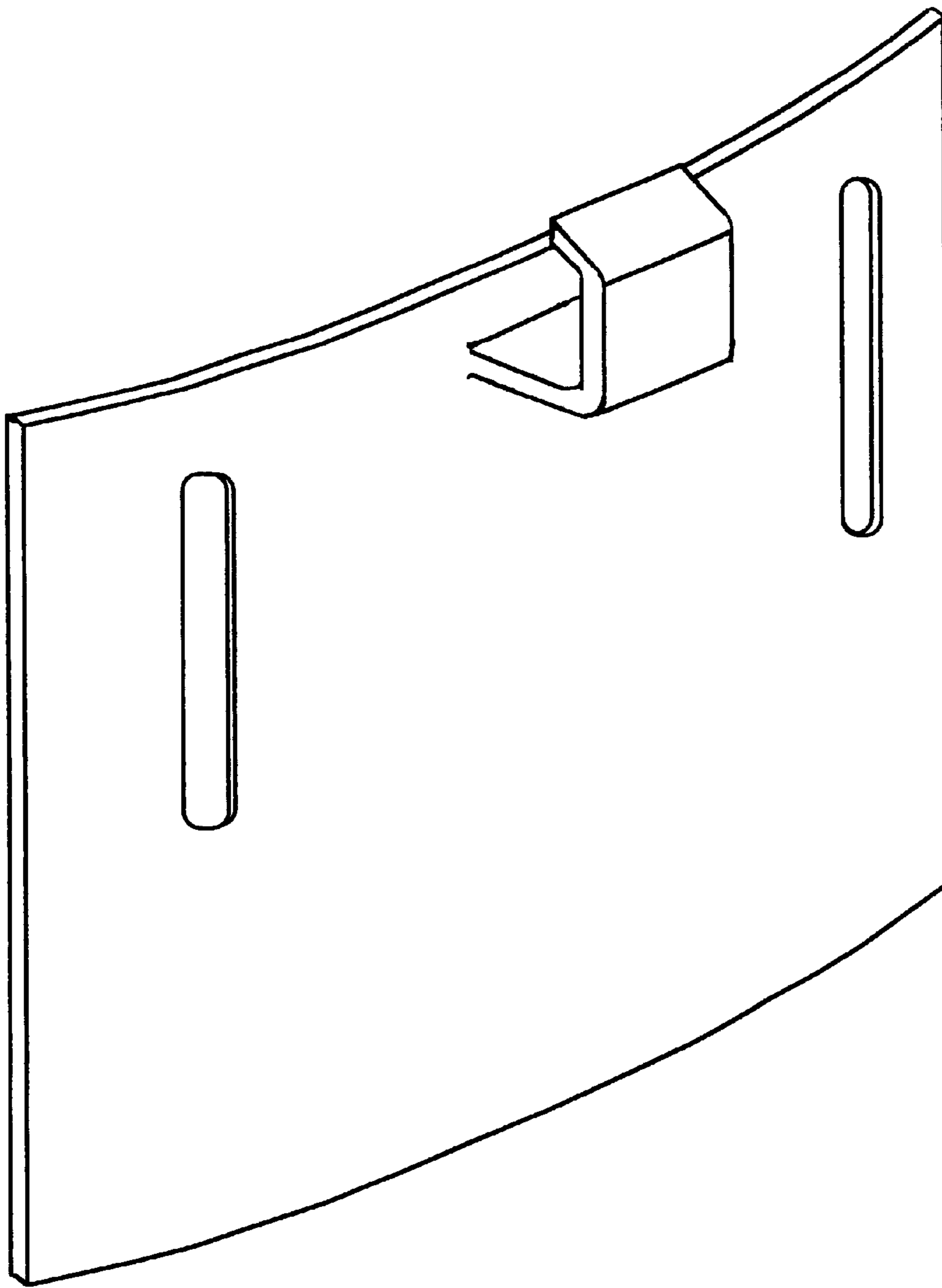


Fig. 1

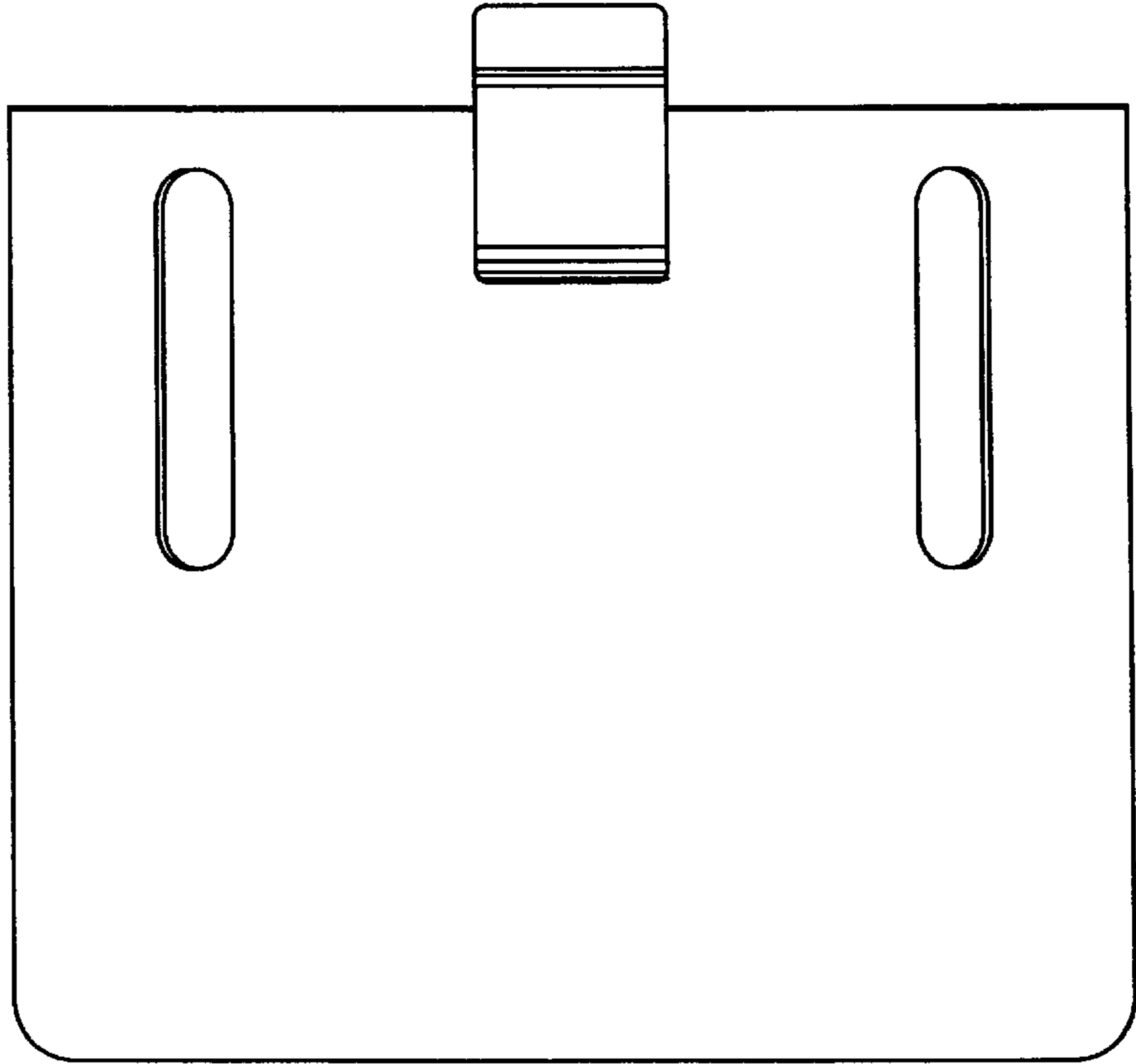


Fig. 2

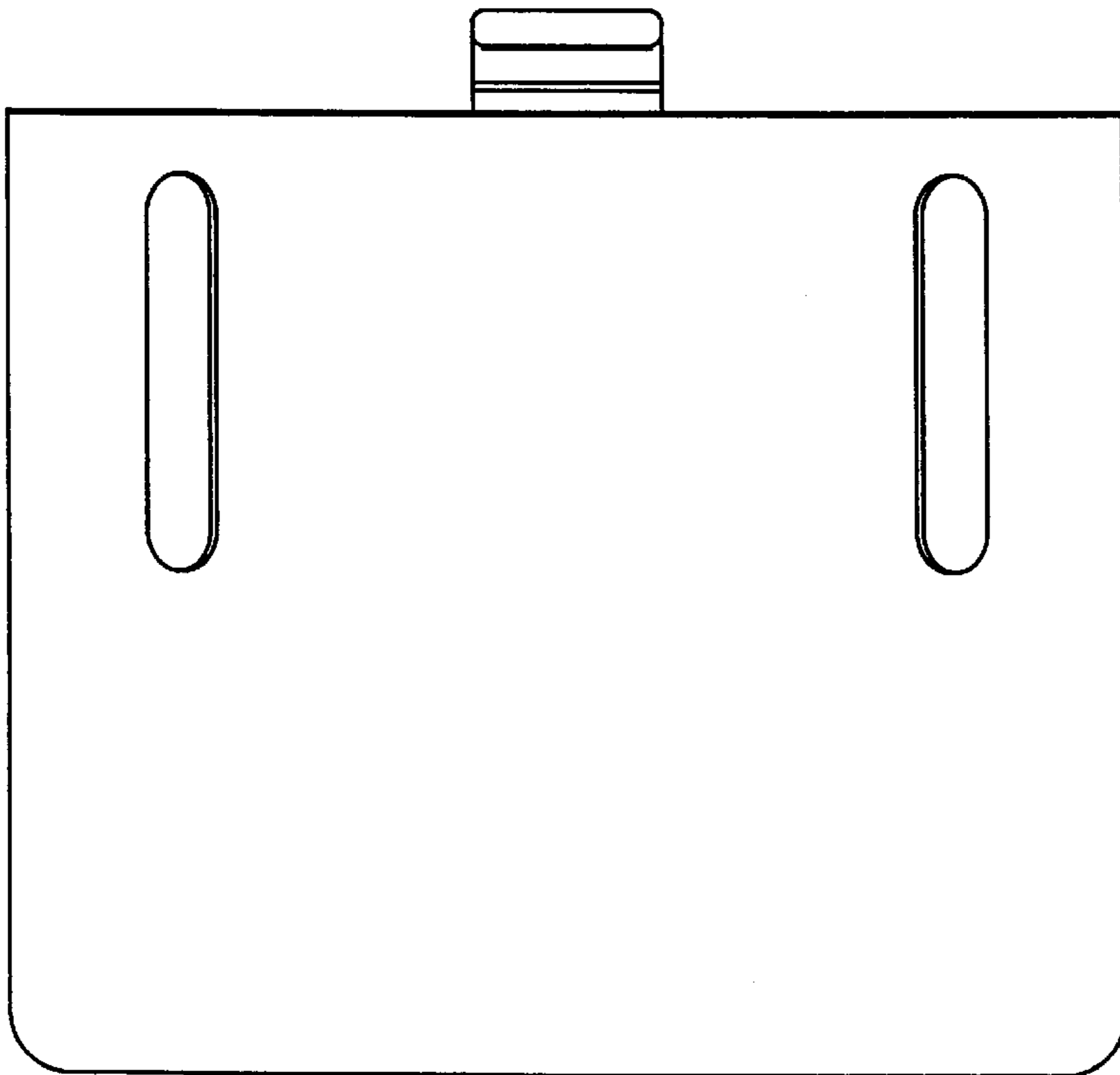


Fig. 3

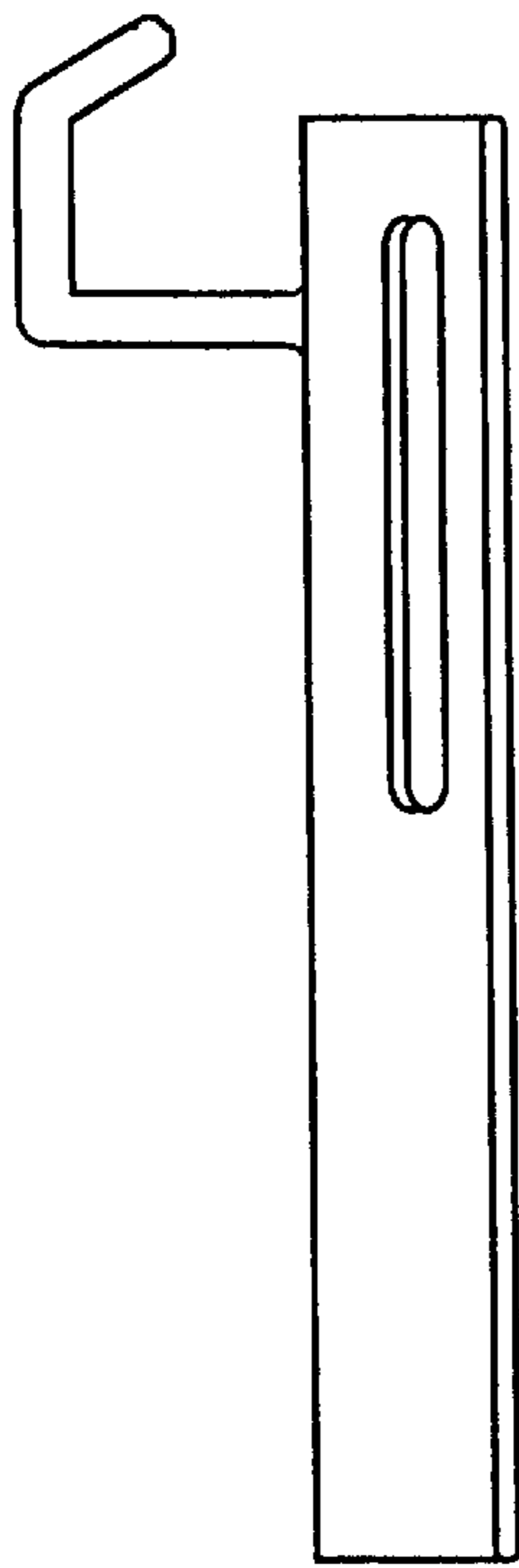


Fig. 4

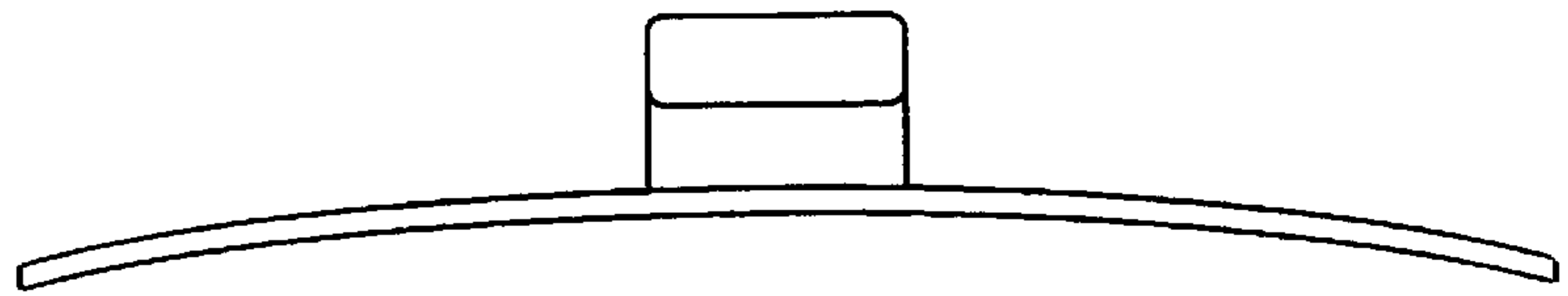


Fig. 5

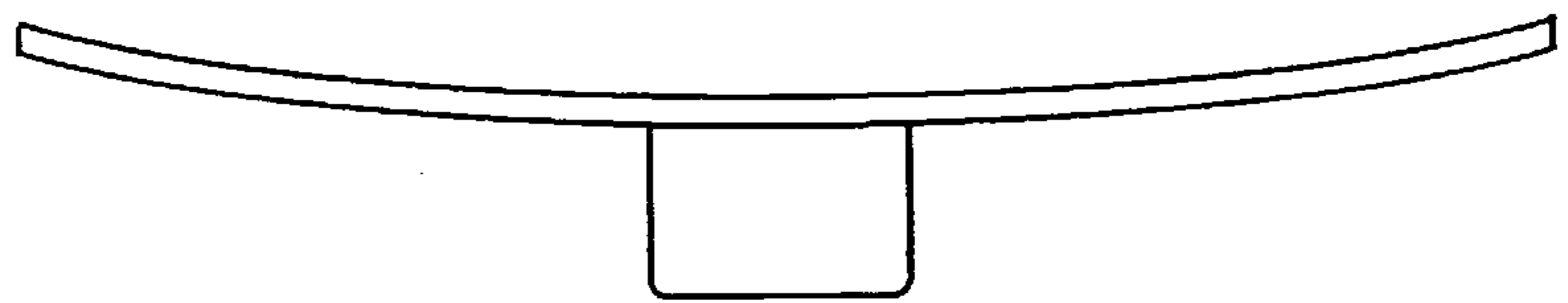


Fig. 6

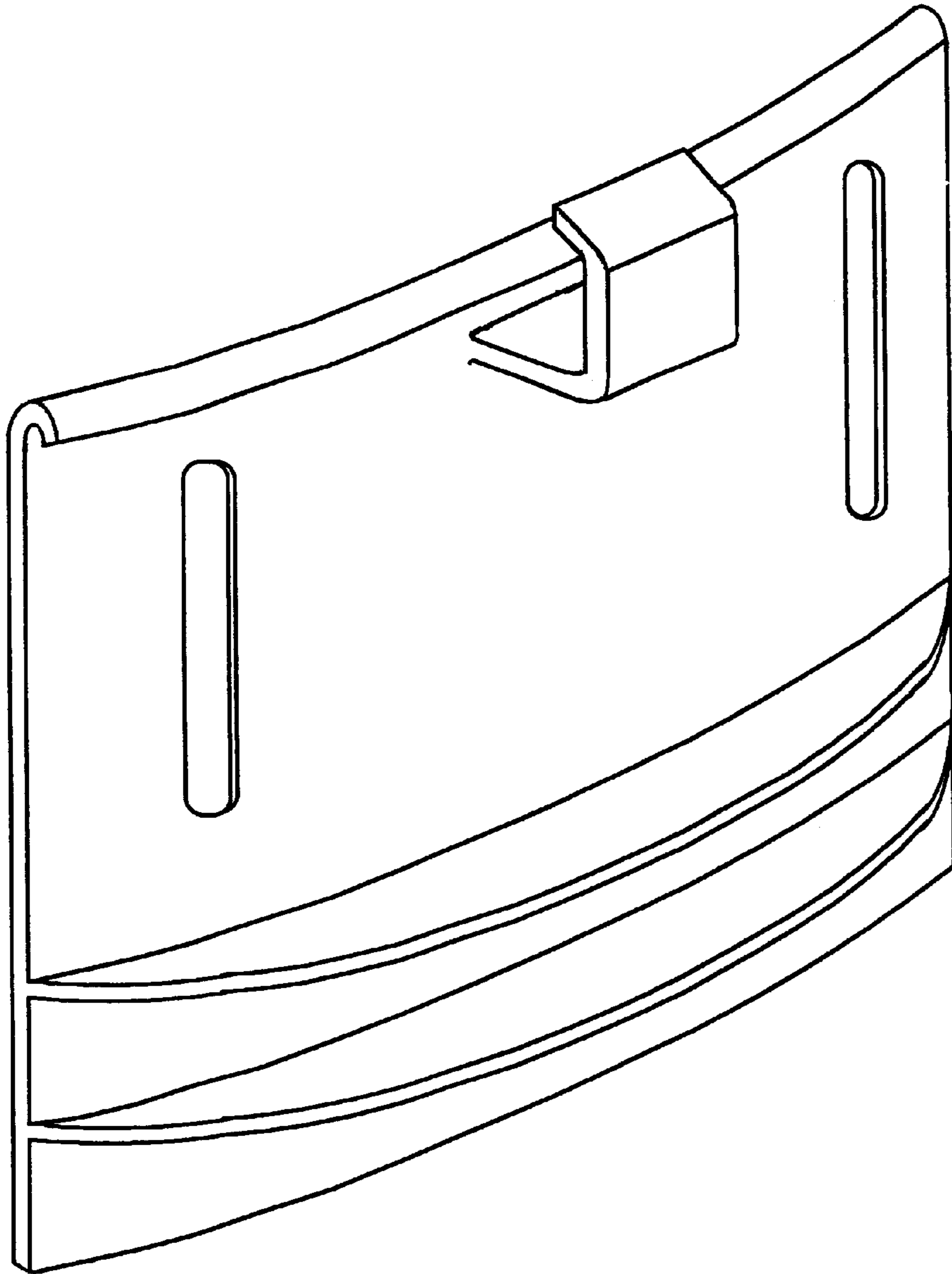


Fig. 7

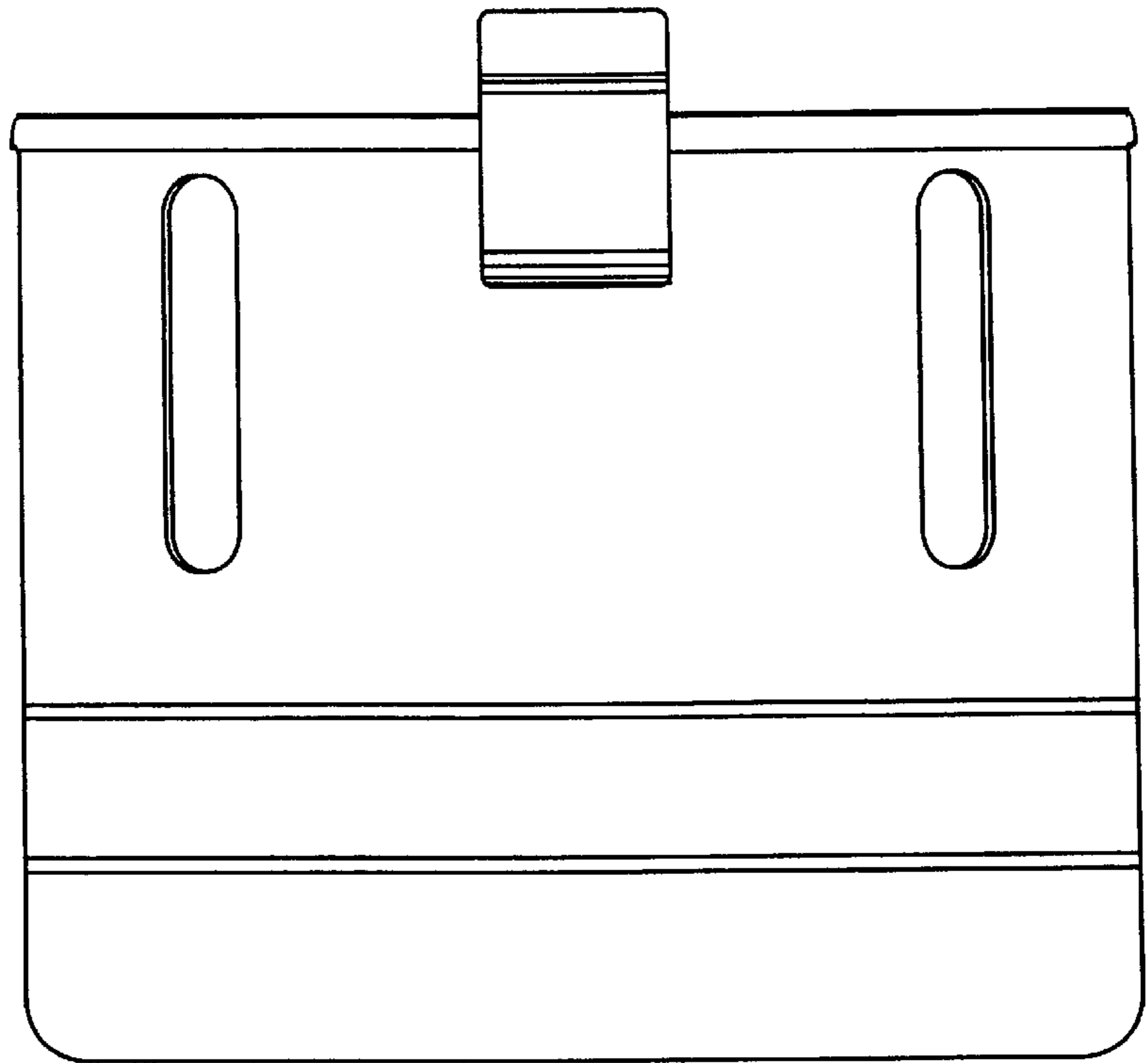


Fig. 8

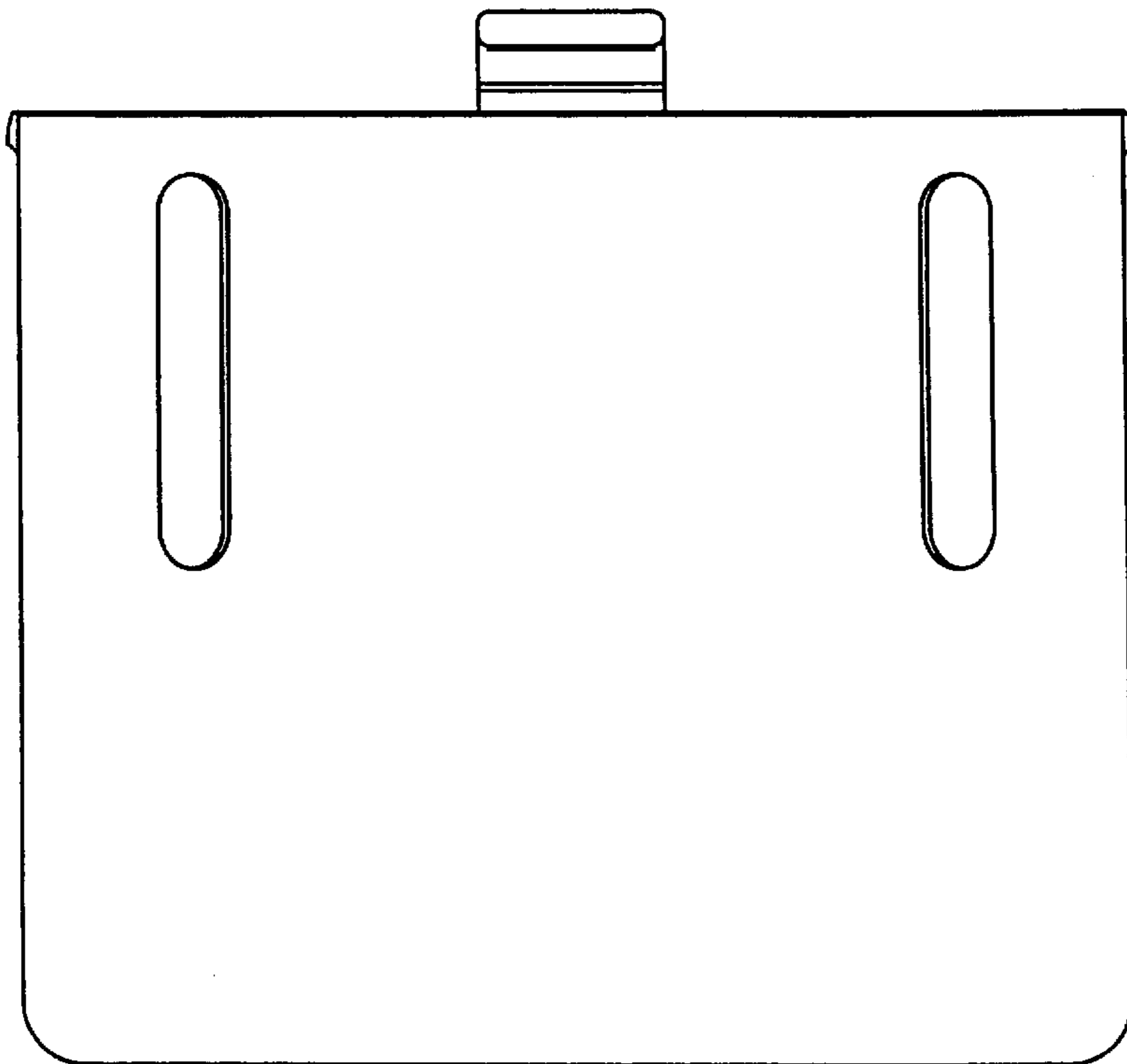


Fig. 9

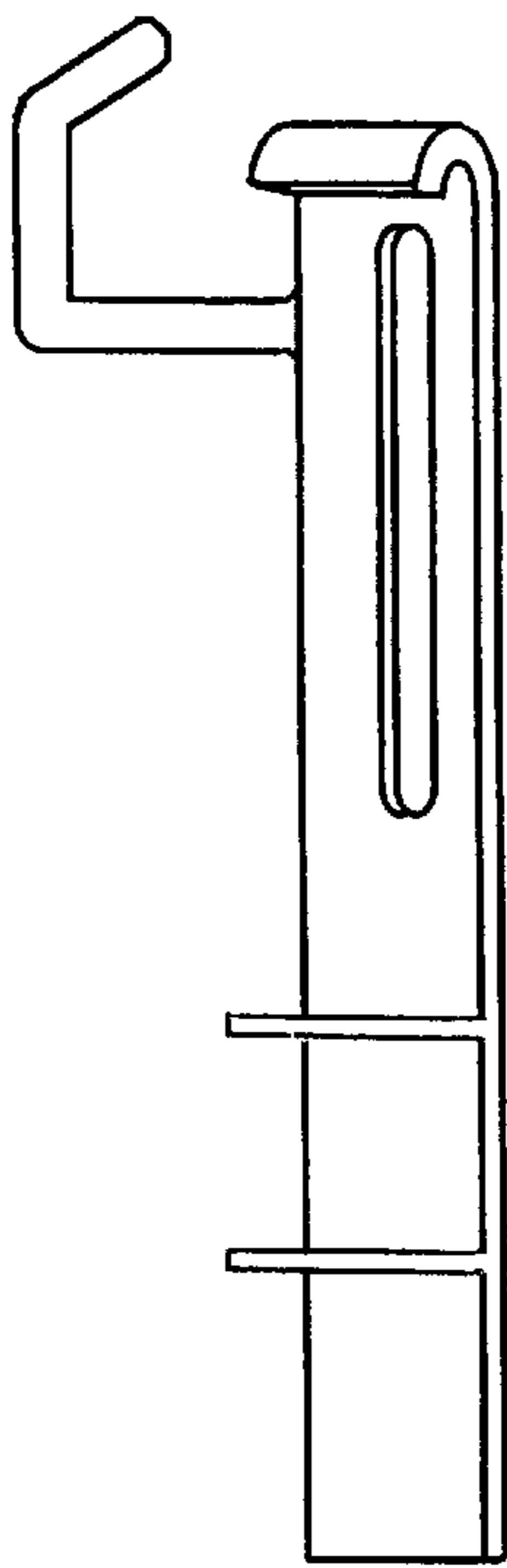


Fig. 10

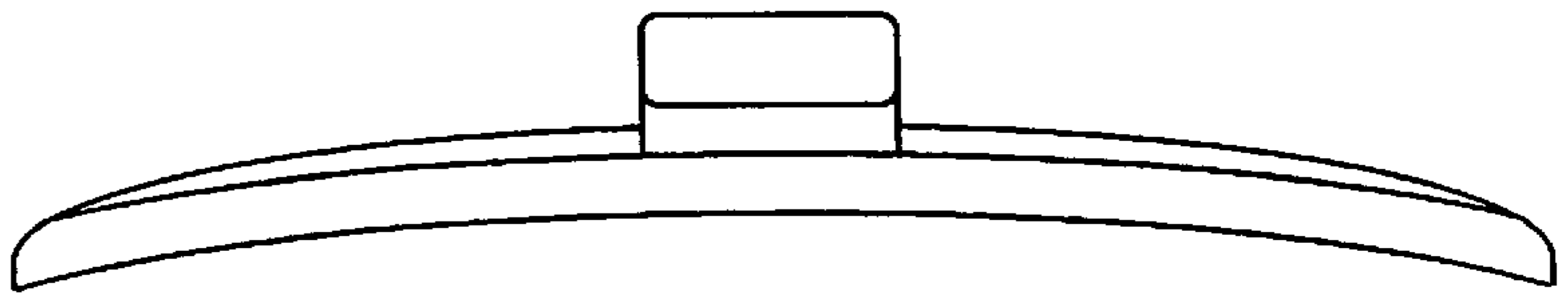


Fig. 11

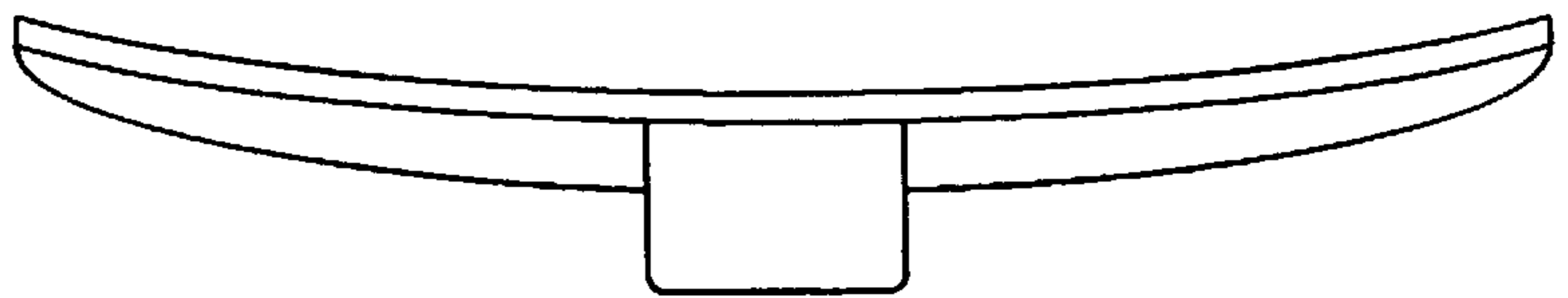


Fig. 12