



US00D469245S

(12) **United States Design Patent**
Savoie

(10) **Patent No.:** **US D469,245 S**

(45) **Date of Patent:** **** *Jan. 28, 2003**

(54) **REMOVABLE CLEAT**

(75) Inventor: **Armand J. Savoie**, Gardner, MA (US)

(73) Assignee: **MacNeill Engineering Company, Inc.**,
Marlborough, MA (US)

(*) Notice: This patent is subject to a terminal disclaimer.

(**) Term: **14 Years**

(21) Appl. No.: **29/141,303**

(22) Filed: **May 3, 2001**

(51) **LOC (7) Cl.** **02-04**

(52) **U.S. Cl.** **D2/962**

(58) **Field of Search** D2/962, 906, 959,
D2/954; 36/127, 134, 67 R, 67 A, 67 B,
67 C, 59 A, 59 B, 59 R, 61, 62, 64, 65,
66

(56) **References Cited**

U.S. PATENT DOCUMENTS

D356,672 S * 3/1995 Ueda D2/959

5,483,760 A * 1/1996 Kataoka et al. 36/134

D393,146 S * 4/1998 Valle D2/962

D427,754 S * 7/2000 Portaud D2/954

* cited by examiner

Primary Examiner—Louis S. Zarfes

Assistant Examiner—Gregory Andoll

(74) *Attorney, Agent, or Firm*—Bromberg & Sunstein LLP

(57) **CLAIM**

The ornamental design for a removable cleat, as shown and described.

DESCRIPTION

FIG. 1 shows an elevated top view of a removable cleat according to a preferred embodiment;

FIG. 2 shows a top plan view of the cleat of FIG. 1;

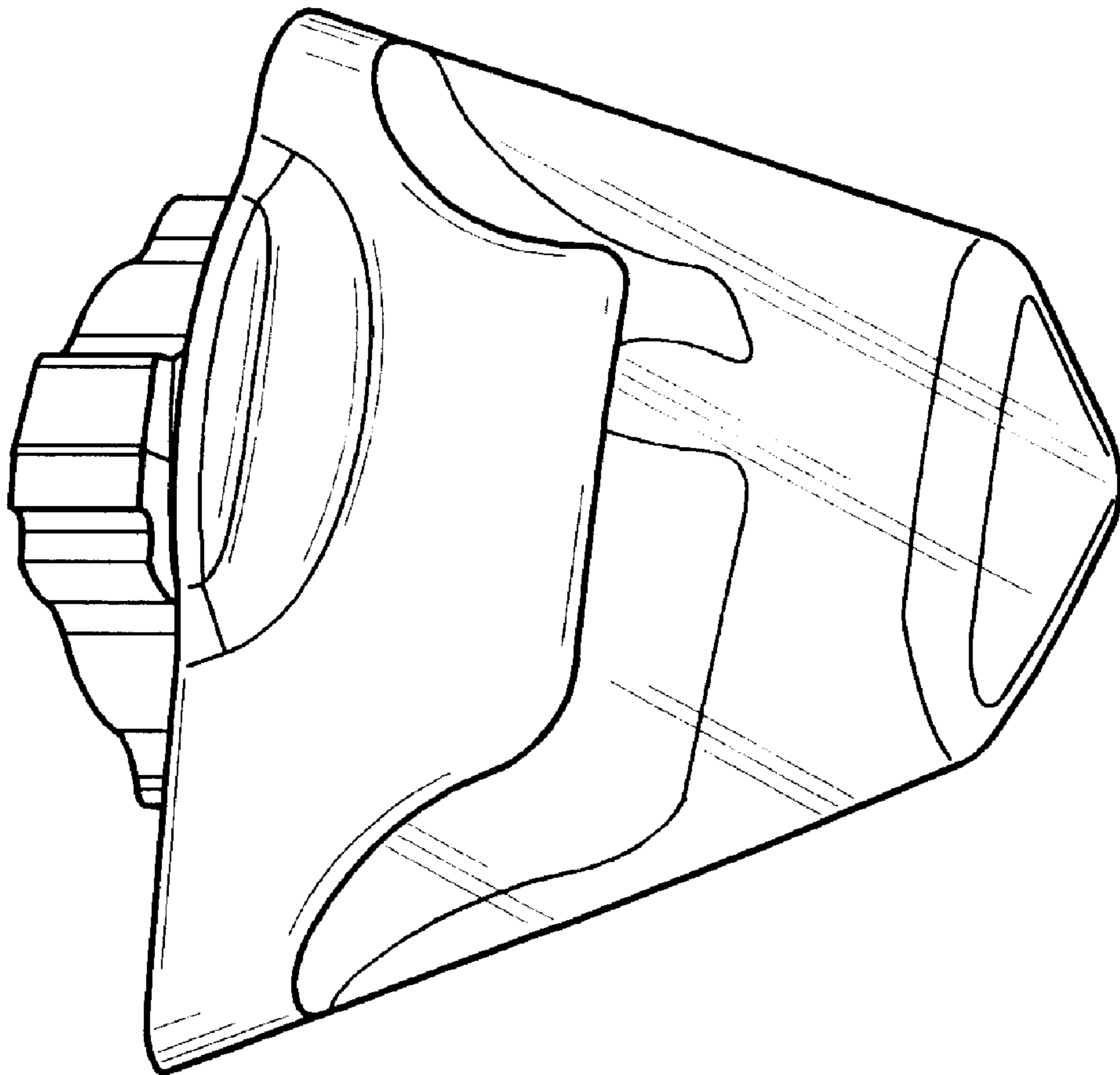
FIG. 3 shows a bottom plan view of the cleat of FIG. 1;

FIG. 4 shows a front side view of the cleat of FIG. 1;

FIG. 5 shows a left side view of the cleat of FIG. 1; and,

FIG. 6 shows a back side view of the cleat of FIG. 1.

1 Claim, 1 Drawing Sheet



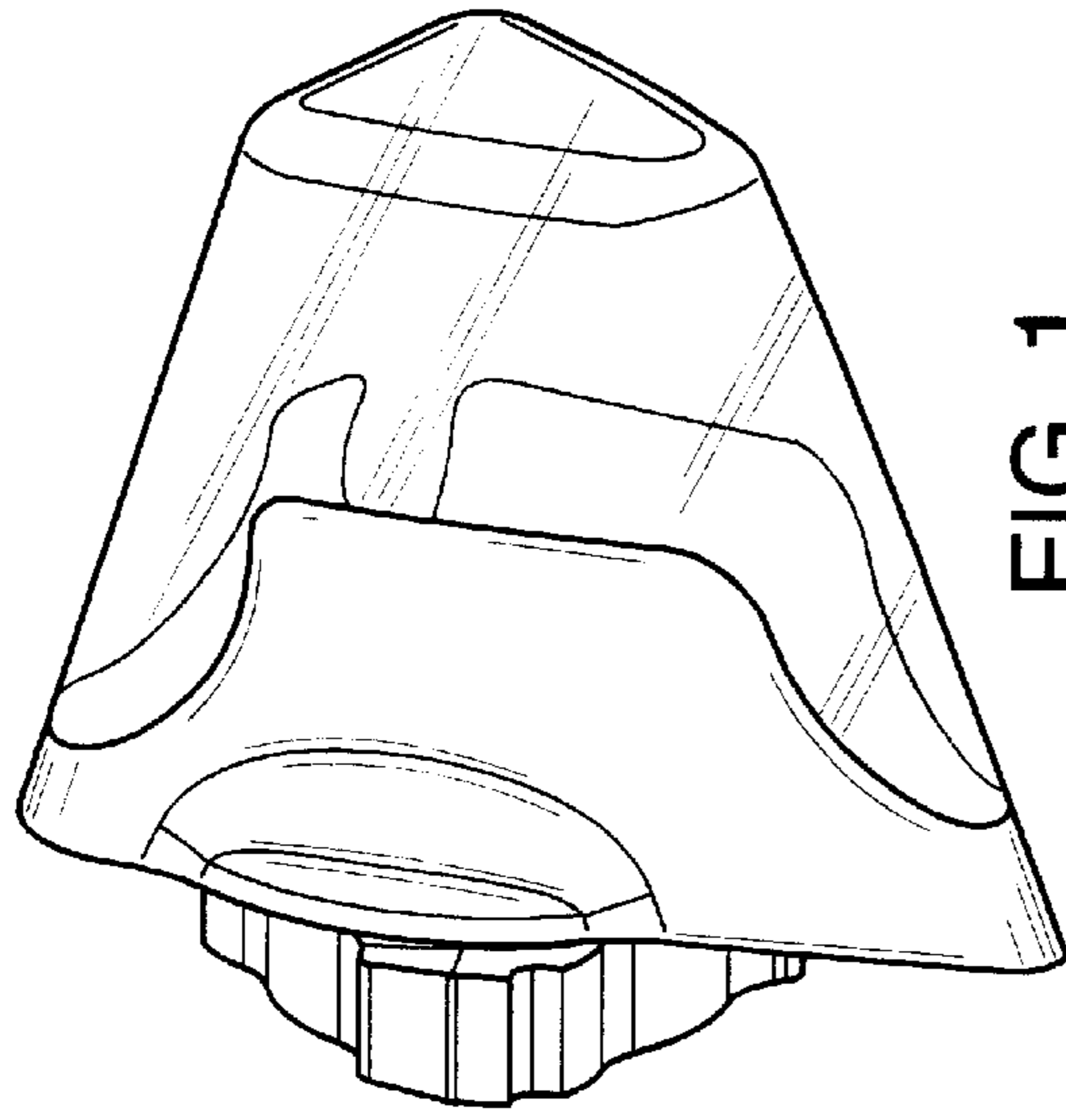


FIG. 1

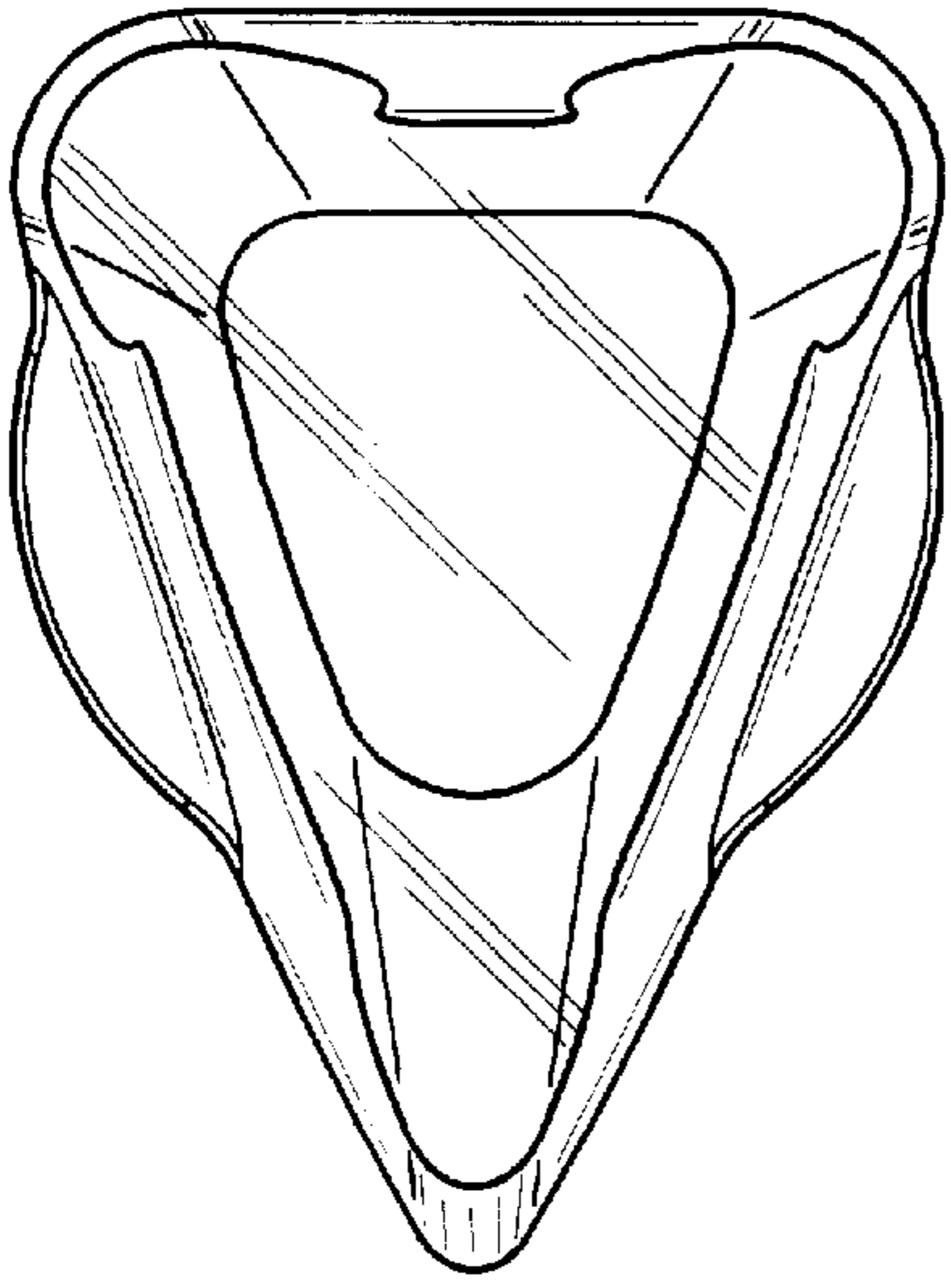


FIG. 2

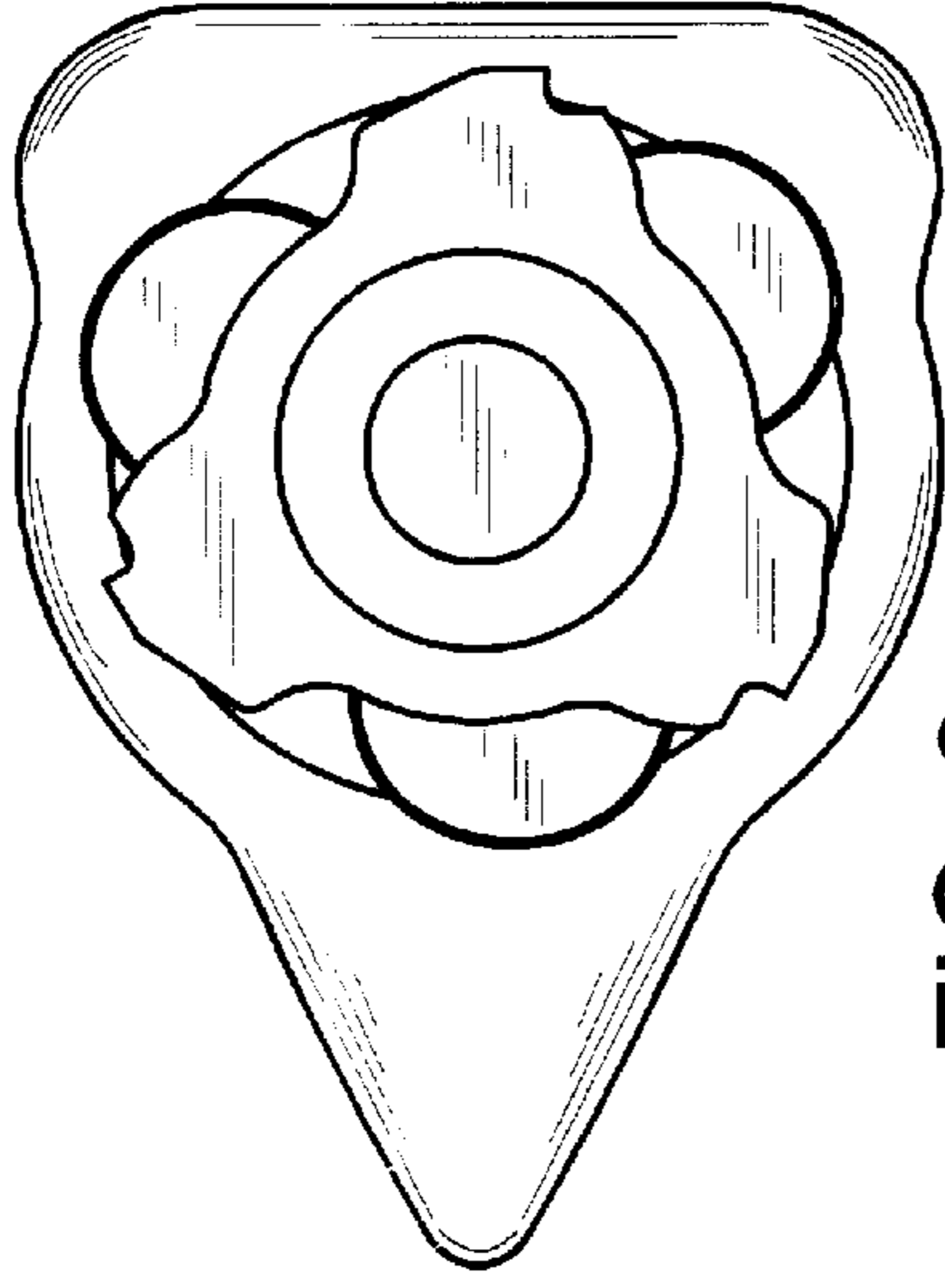


FIG. 3

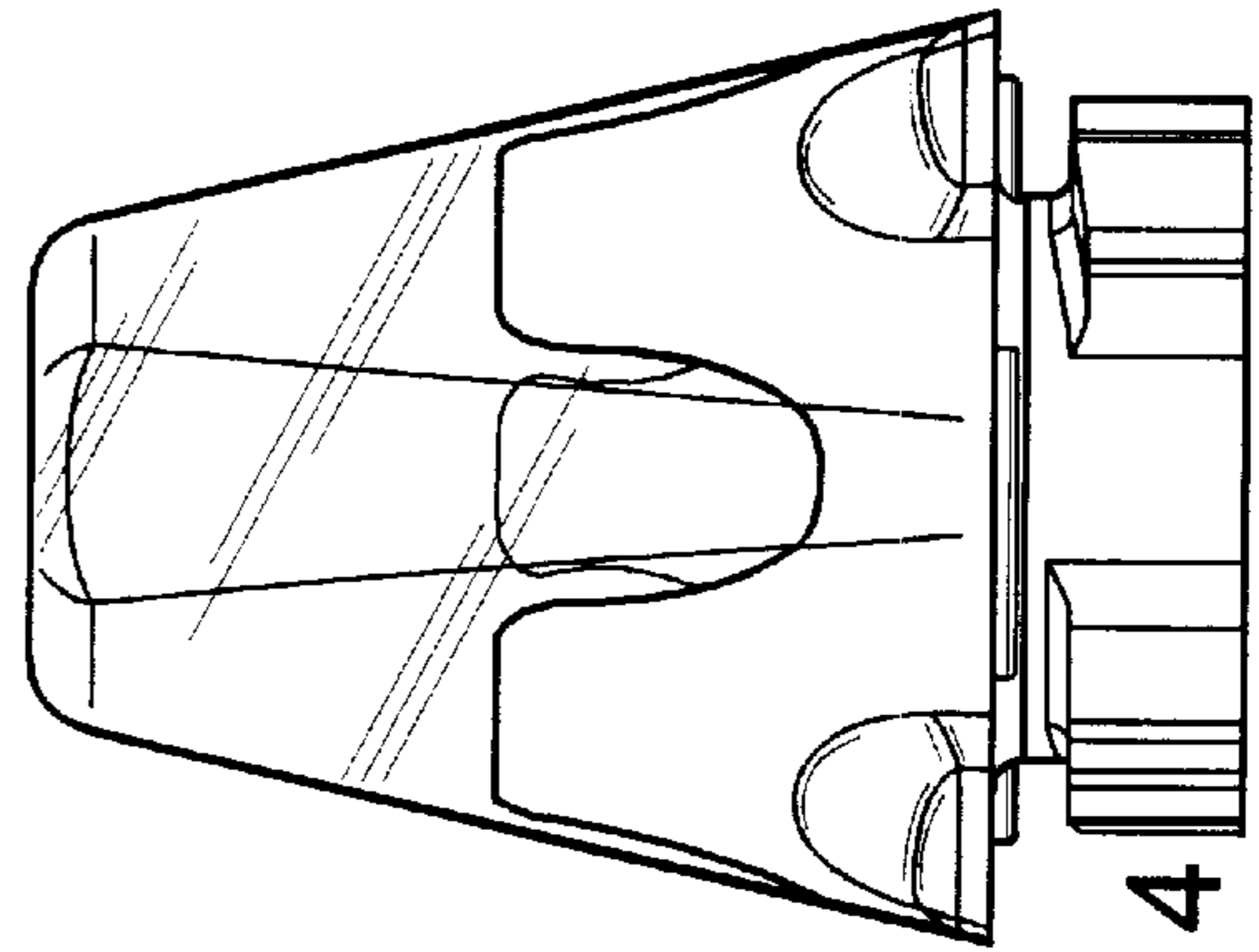


FIG. 4

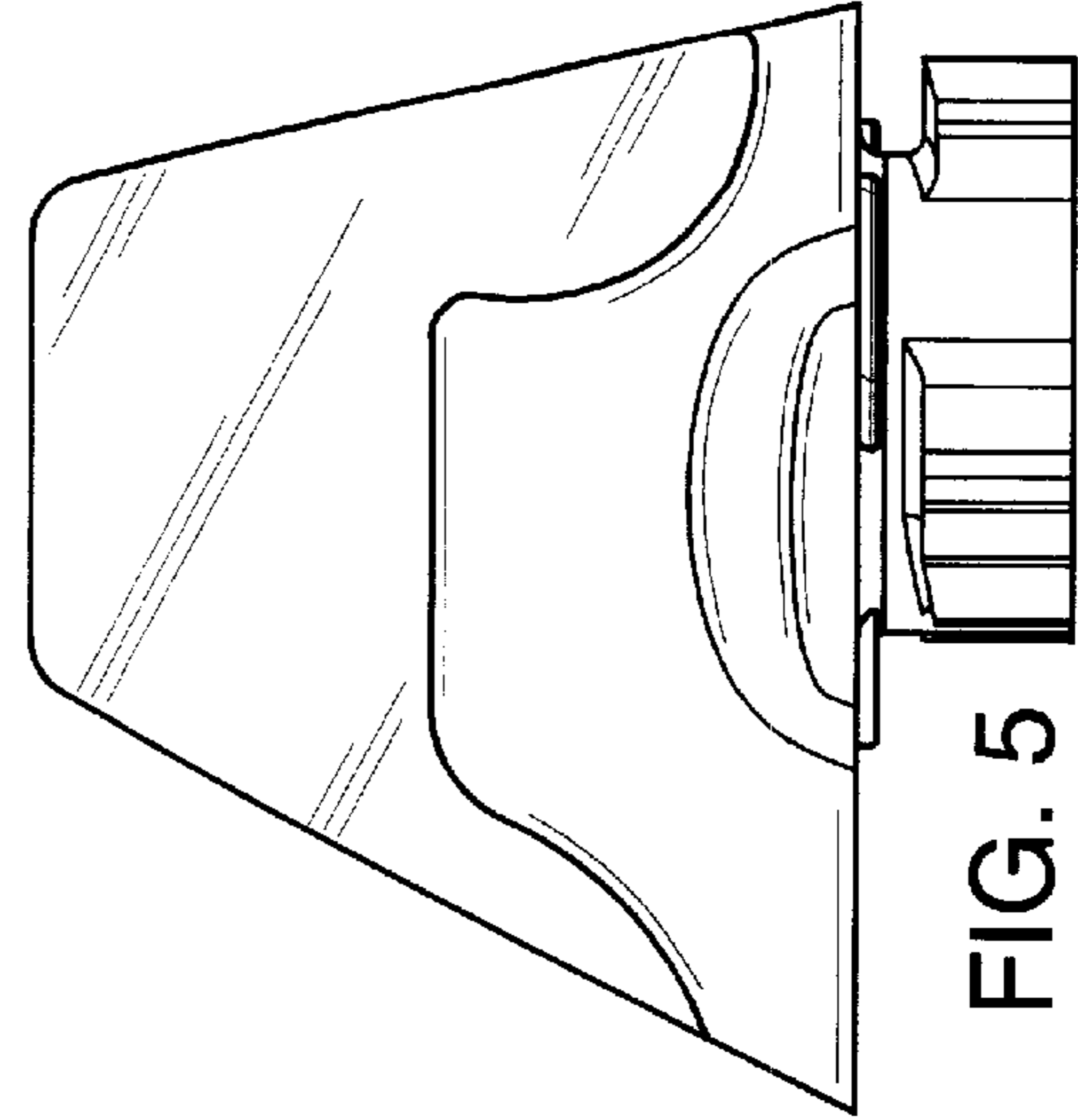


FIG. 5

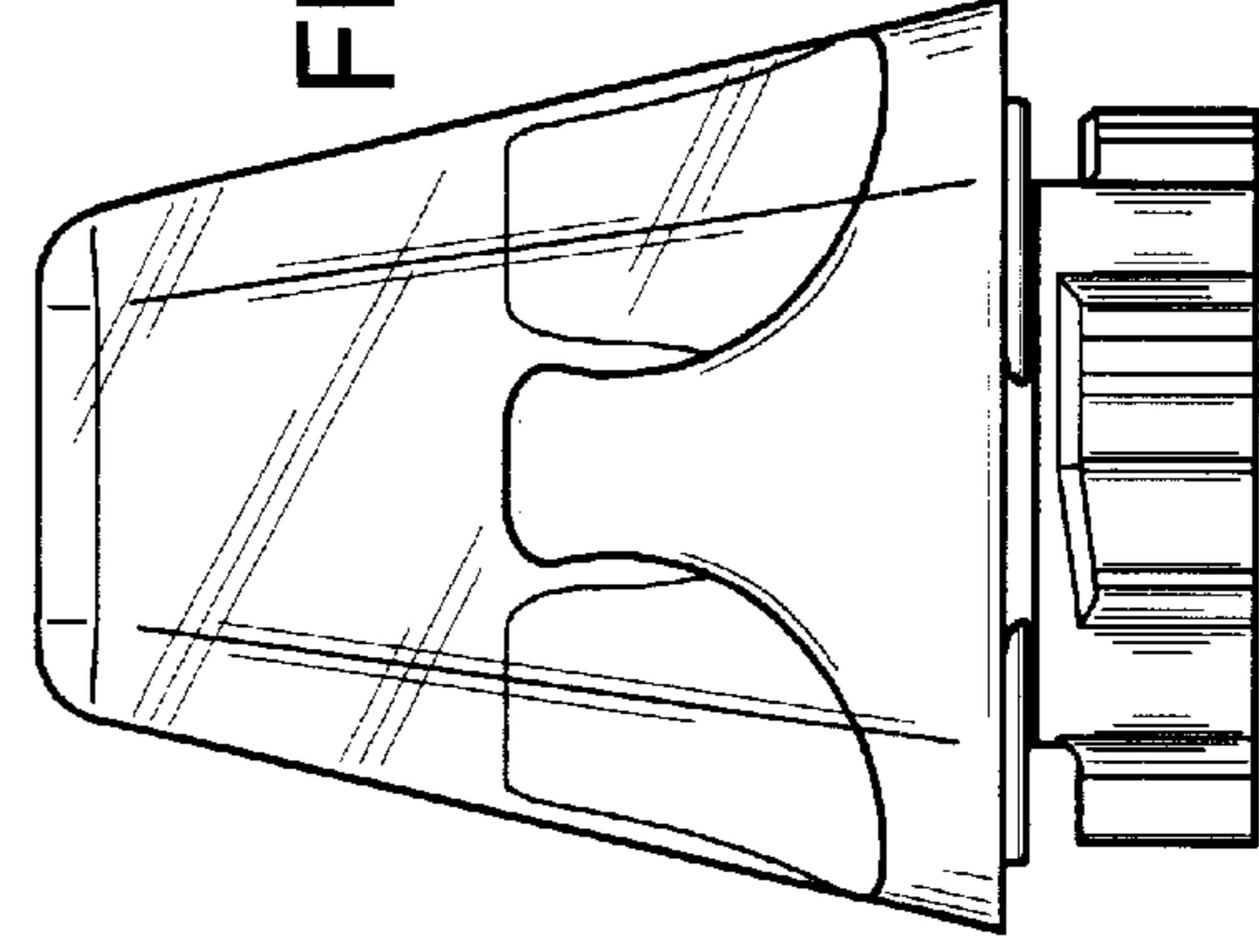


FIG. 6