



US00D469243S

(12) **United States Design Patent**
Park

(10) **Patent No.:** **US D469,243 S**

(45) **Date of Patent:** **** Jan. 28, 2003**

(54) **VANE CAP**

(75) **Inventor:** **Boo Yi Park, Seoul (KR)**

(73) **Assignee:** **Dada Corp., Seoul (KR)**

(**) **Term:** **14 Years**

(21) **Appl. No.:** **29/163,551**

(22) **Filed:** **Jul. 9, 2002**

(51) **LOC (7) Cl.** **02-03**

(52) **U.S. Cl.** **D2/882**

(58) **Field of Search** D2/865, 866, 868,
D2/869, 872, 873, 876, 879, 882, 886,
893; 2/171, 181, 195.1, 209.12, 209.13,
10, 195.2

(56) **References Cited**

U.S. PATENT DOCUMENTS

5,226,180 A	7/1993	Leach	
5,239,704 A	8/1993	Cornelio	
D370,334 S	* 6/1996	Stevenson et al. D2/865
5,584,076 A	* 12/1996	Armstrong 2/195.2
D424,281 S	5/2000	Jebber	

6,061,837 A	*	5/2000	Oh	2/209.12
6,112,332 A	*	9/2000	McCormick	2/181
6,158,053 A		12/2000	Wang		
6,237,155 B1	*	5/2001	Seegar	2/195.1
6,237,159 B1	*	5/2001	Martin	2/190.12
6,363,537 B1	*	4/2002	Park	2/181
6,370,696 B1		4/2002	Kronenberger		

* cited by examiner

Primary Examiner—Doris V. Coles

Assistant Examiner—Mimosa De

(57) **CLAIM**

The ornamental design for a “vane cap”, as shown.

DESCRIPTION

FIG. 1 is a perspective view of a “vane cap” showing my new design

FIG. 2 is a front elevational view of FIG. 1

FIG. 3 is a bottom plan view of FIG. 1

FIG. 4 is a right side elevational view of FIG. 1

FIG. 5 is a left side elevational view of FIG. 1

FIG. 6 is a top plan view of FIG. 1; and,

FIG. 7 is a rear elevational view of FIG. 1.

1 Claim, 4 Drawing Sheets

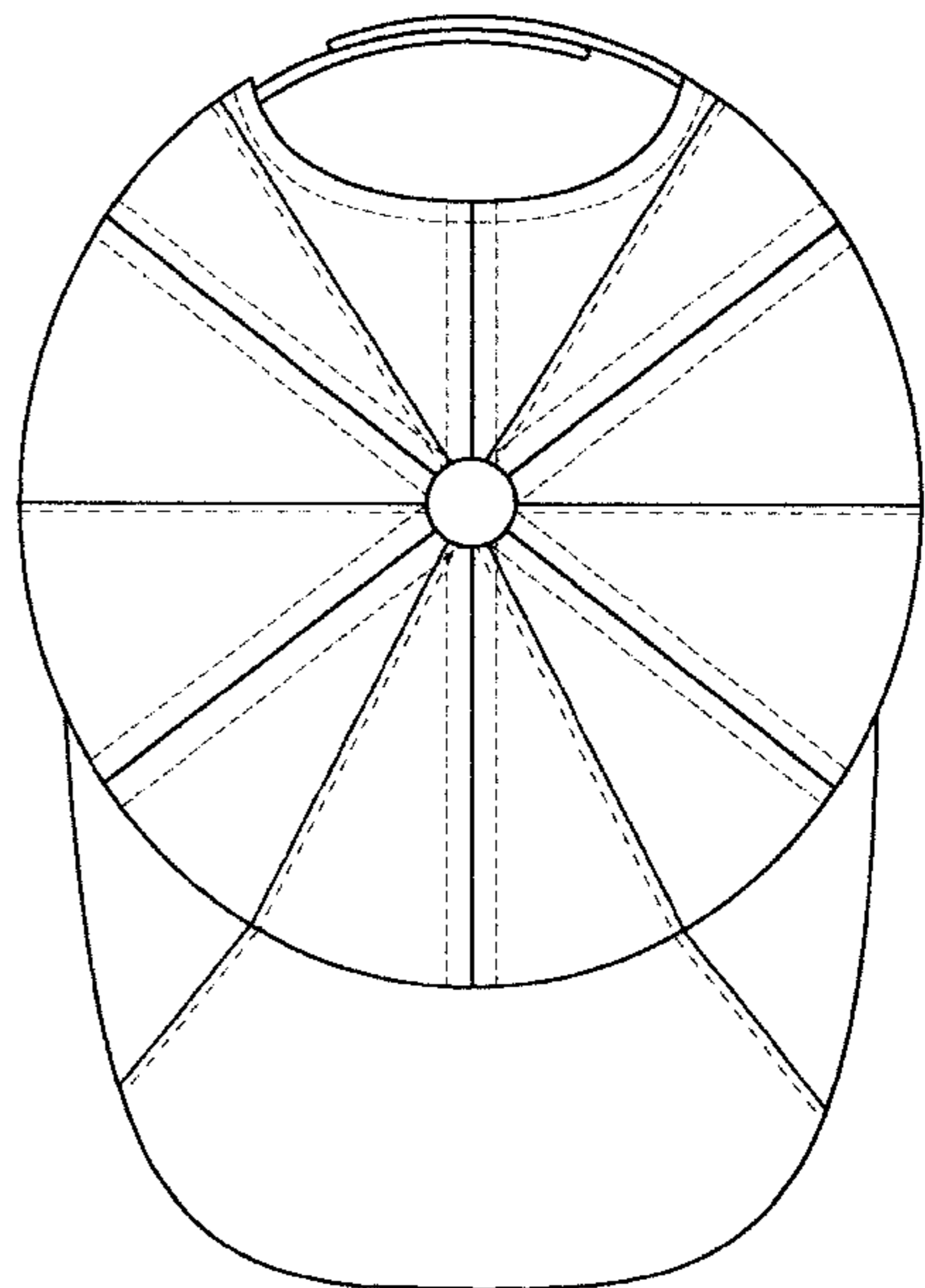
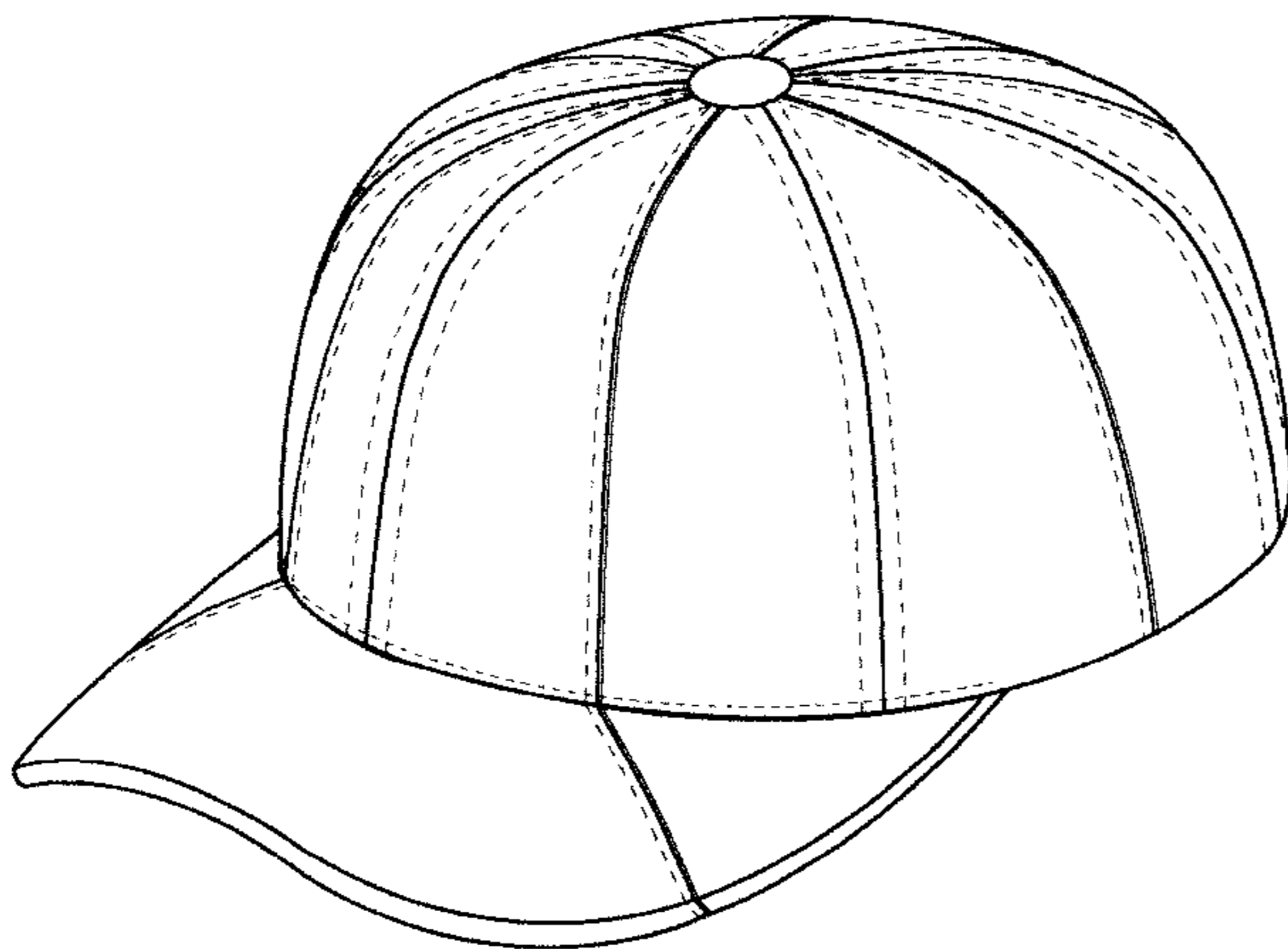


FIG.1

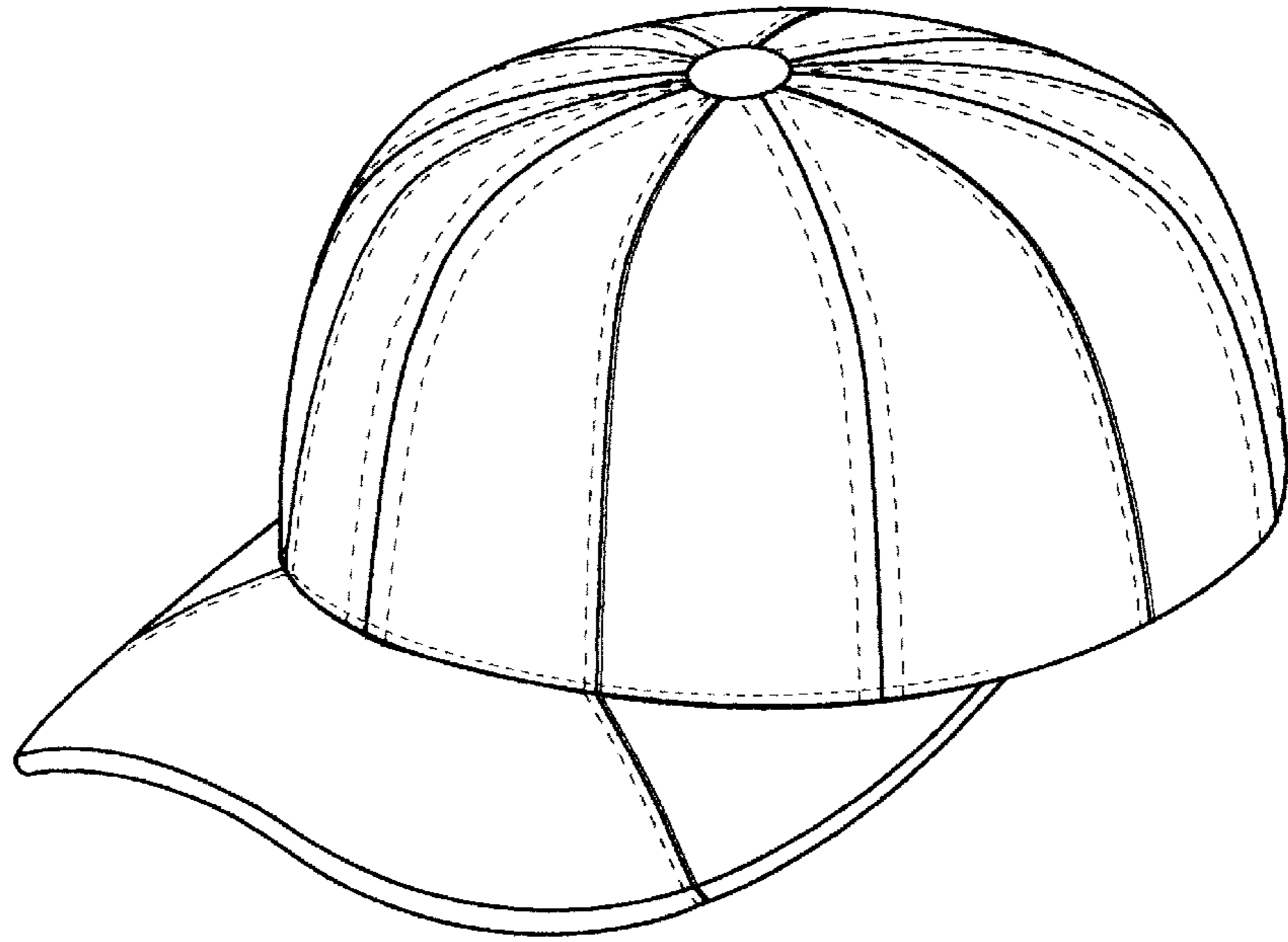


FIG.2

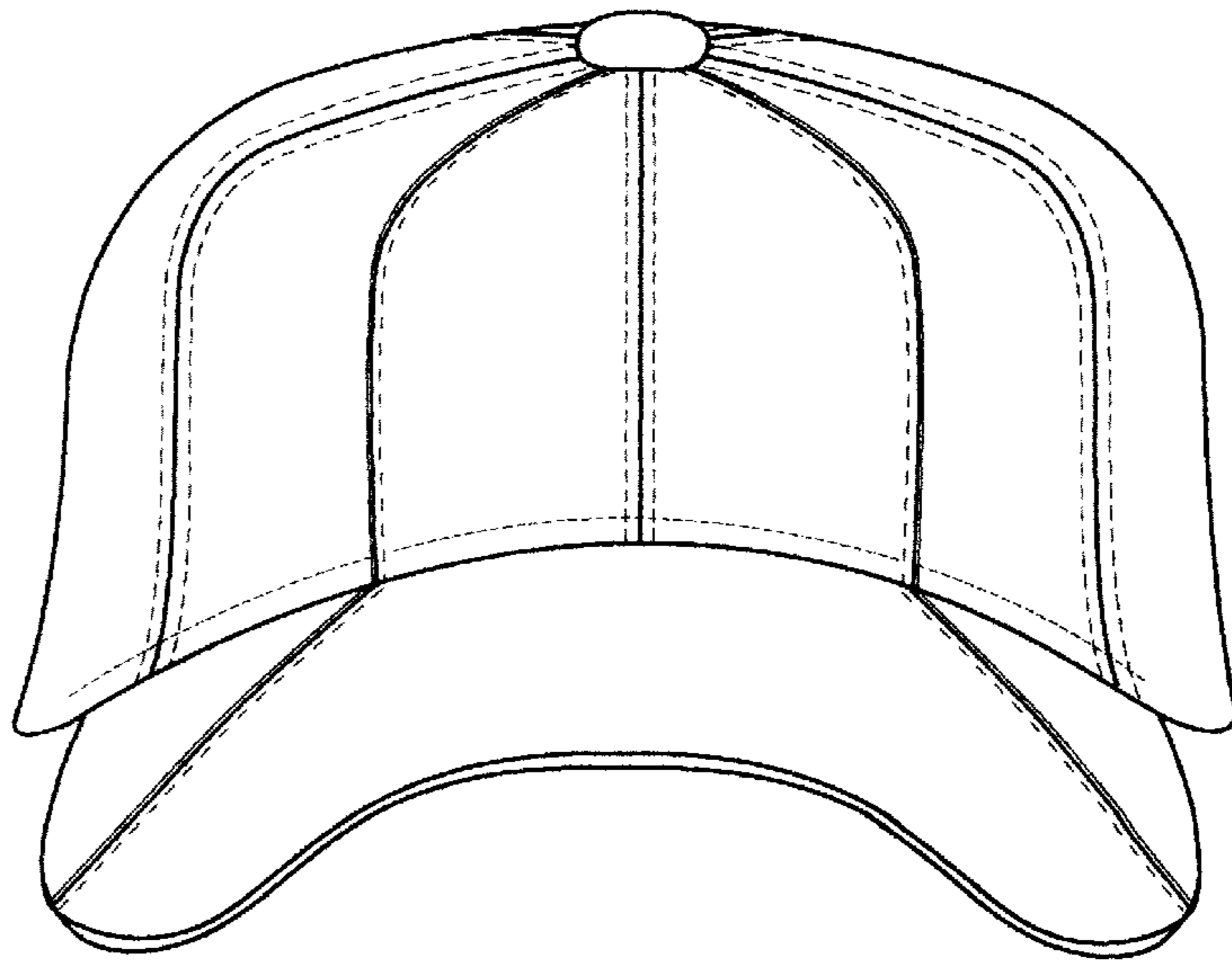


FIG.3

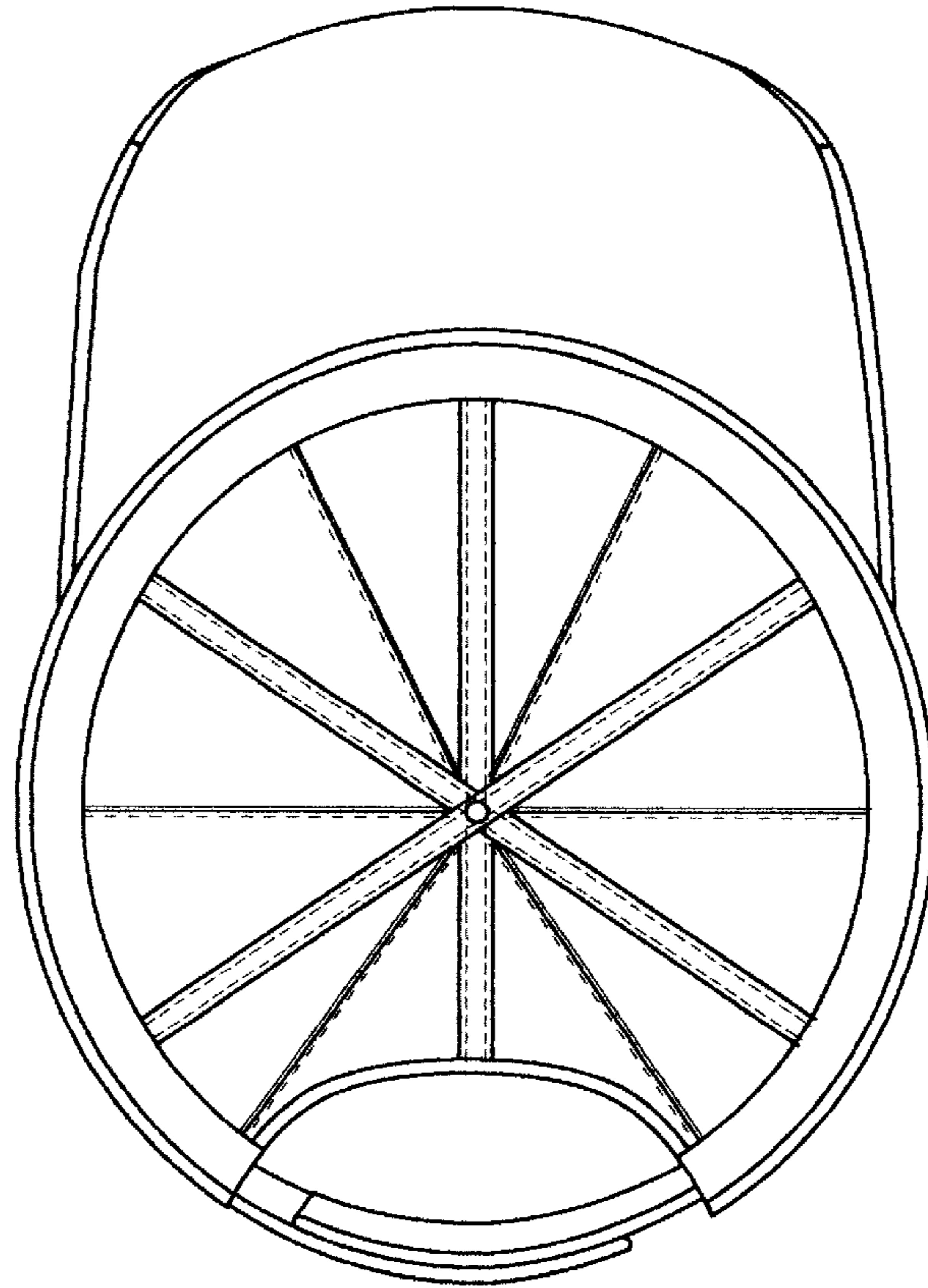


FIG.4

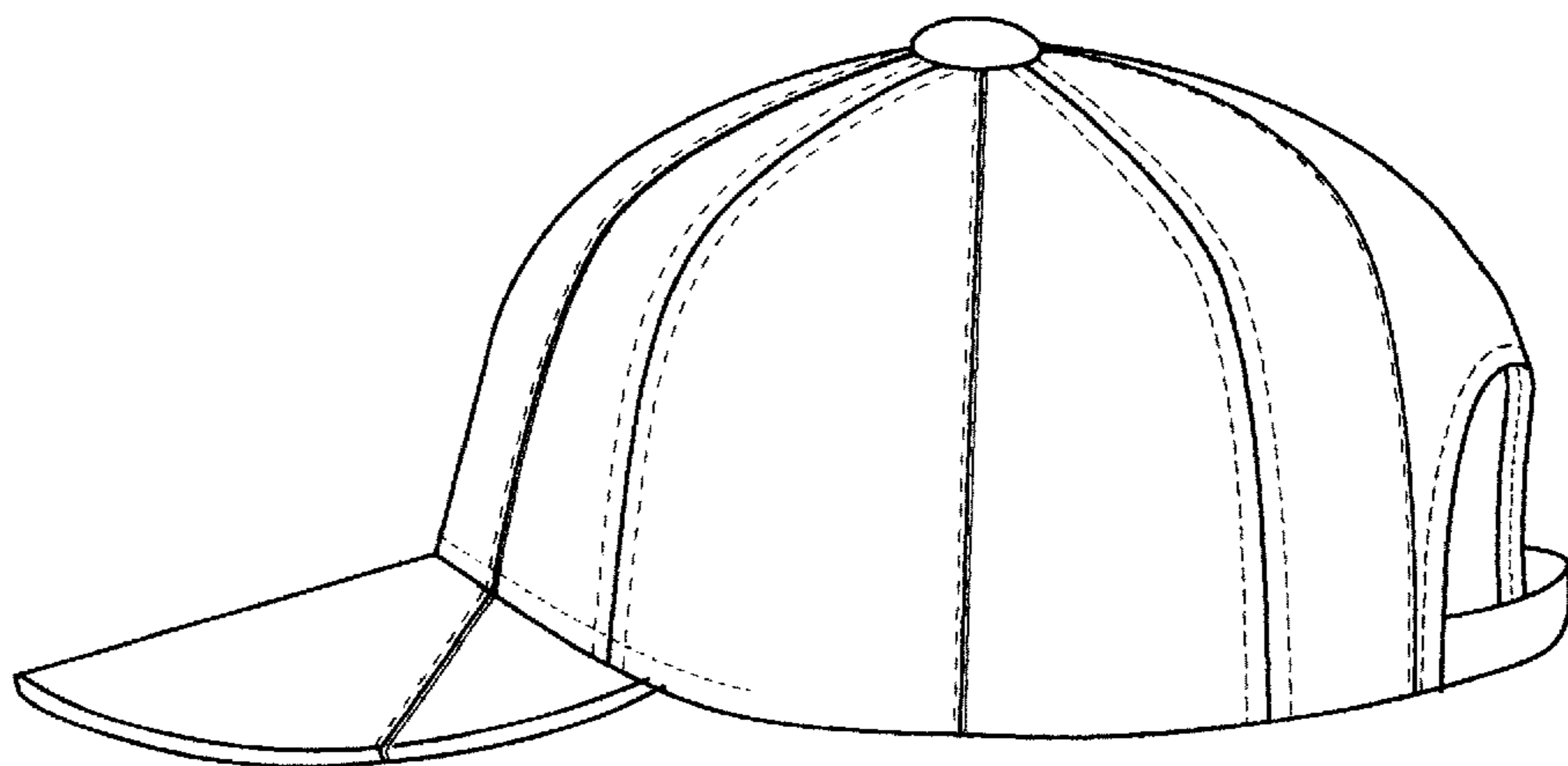


FIG.5

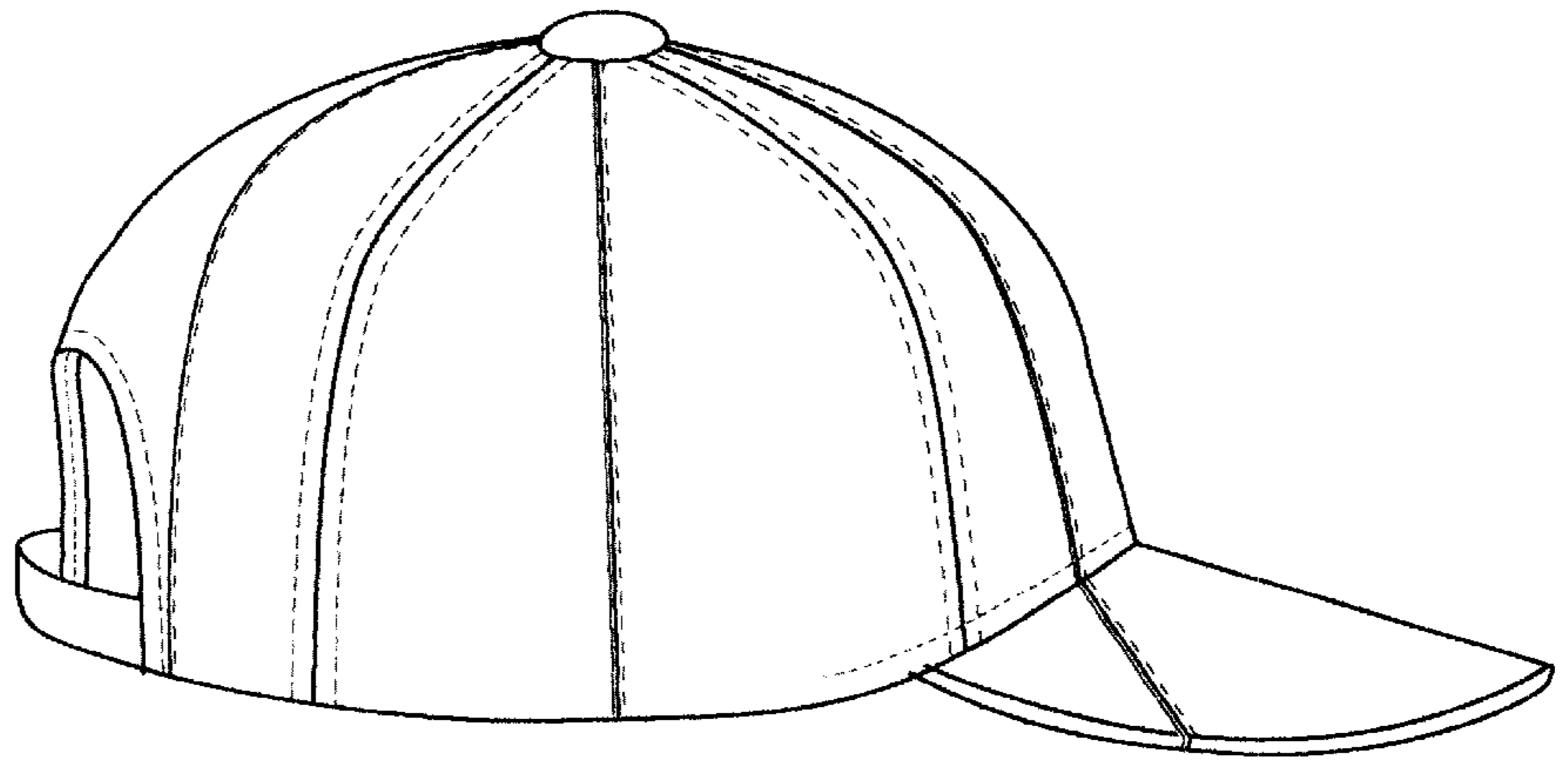


FIG.6

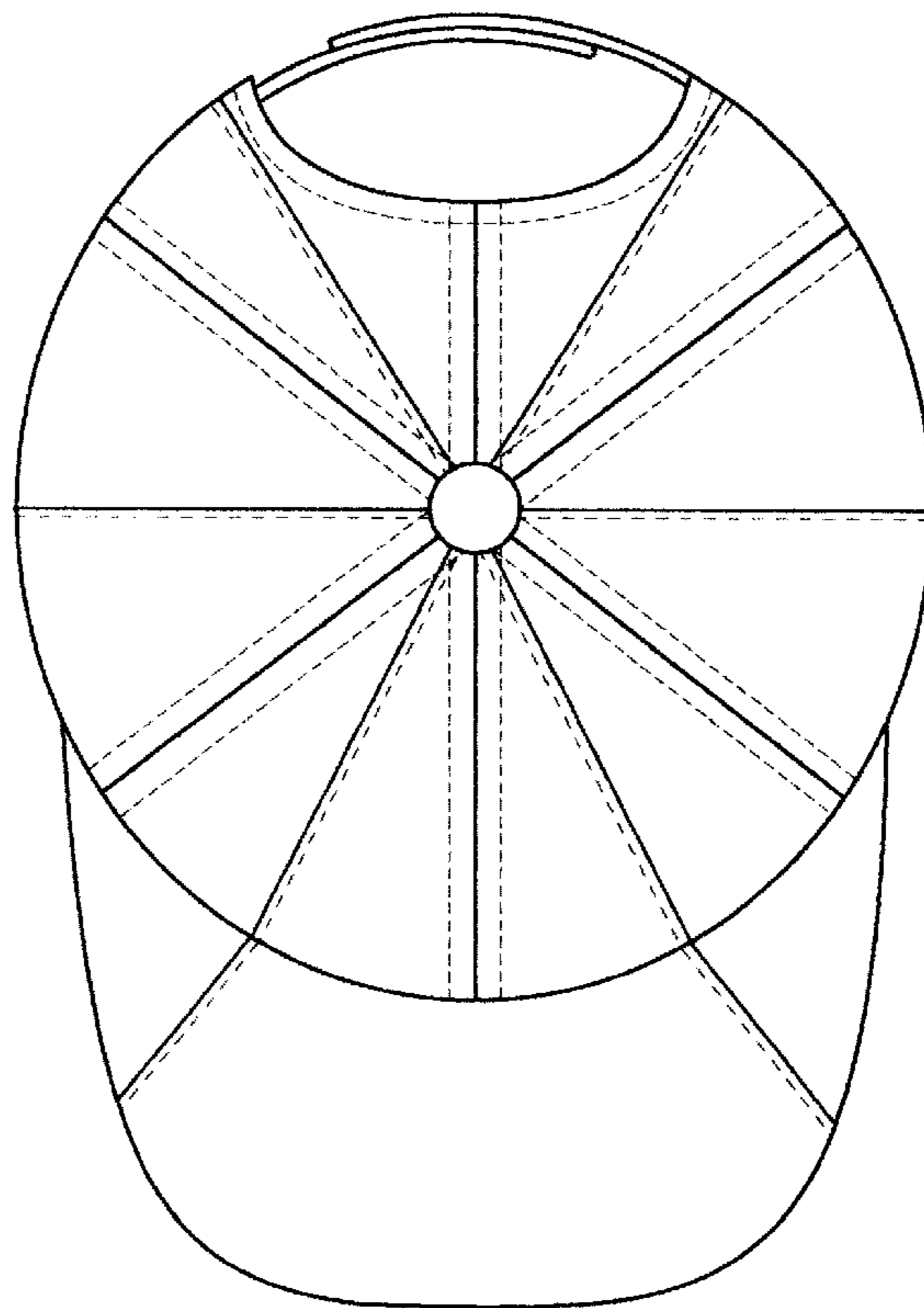


FIG.7

