



US00D469240S

(12) **United States Design Patent**
Weinberg et al.

(10) **Patent No.:** **US D469,240 S**

(45) **Date of Patent:** **** Jan. 28, 2003**

(54) **UNDERGARMENT ENSEMBLE**

(76) Inventors: **Valerie J Weinberg**, 8580 Derlin Way, Sacramento, CA (US) 95823; **Sandra Y Hike**, 2404 Red Pine Dr., San Diego, CA (US) 92154

(**) Term: **14 Years**

(21) Appl. No.: **29/143,147**

(22) Filed: **Jun. 8, 2001**

(51) **LOC (7) Cl.** **02-01**

(52) **U.S. Cl.** **D2/700**

(58) **Field of Search** D2/701, 711, 712, D2/738, 706-710, 731, 737; 450/94, 104, 39, 41, 48, 49, 52; 2/67, 71-73, 76, 78.1-78.3, 400-408

(56) **References Cited**

U.S. PATENT DOCUMENTS

D80,998 S	4/1930	Chase	
2,032,031 A *	2/1936	Weisman	2/73
2,124,193 A *	7/1938	Hennessy	2/73
3,556,106 A	1/1971	Rosner	
D285,622 S	9/1986	Greene	
D318,749 S	8/1991	Suleiman	
D319,330 S	8/1991	Akazaki et al.	
D357,566 S	4/1995	Hui	
6,086,451 A *	7/2000	Fernandes	2/67

OTHER PUBLICATIONS

BFIA Nov. 2000 p. 22 SaraMax printed cami and short; and p. 160 diamond pattern shirt.*

Hong Kong Apparel vol. I 1999 p. 244 black ensemble on left side of page.*

BFIA Feb. 2001 p. 50 leopard print and solid bra and panty by International Intimates.*

International Male Summer 1990 p. 2 print on pants.*

* cited by examiner

Primary Examiner—Louis S. Zarfes

Assistant Examiner—Deanne Levy

(57) **CLAIM**

The ornamental design for a undergarment ensemble, as shown and described.

DESCRIPTION

FIG. 1 is a front elevational view of the undergarment ensemble of the present invention;

FIG. 2 is a rear elevational view of the undergarment ensemble of FIG. 1;

FIG. 3 is a left side elevational view of the undergarment ensemble of FIG. 1;

FIG. 4 is a right side elevational view of the undergarment ensemble of FIG. 1;

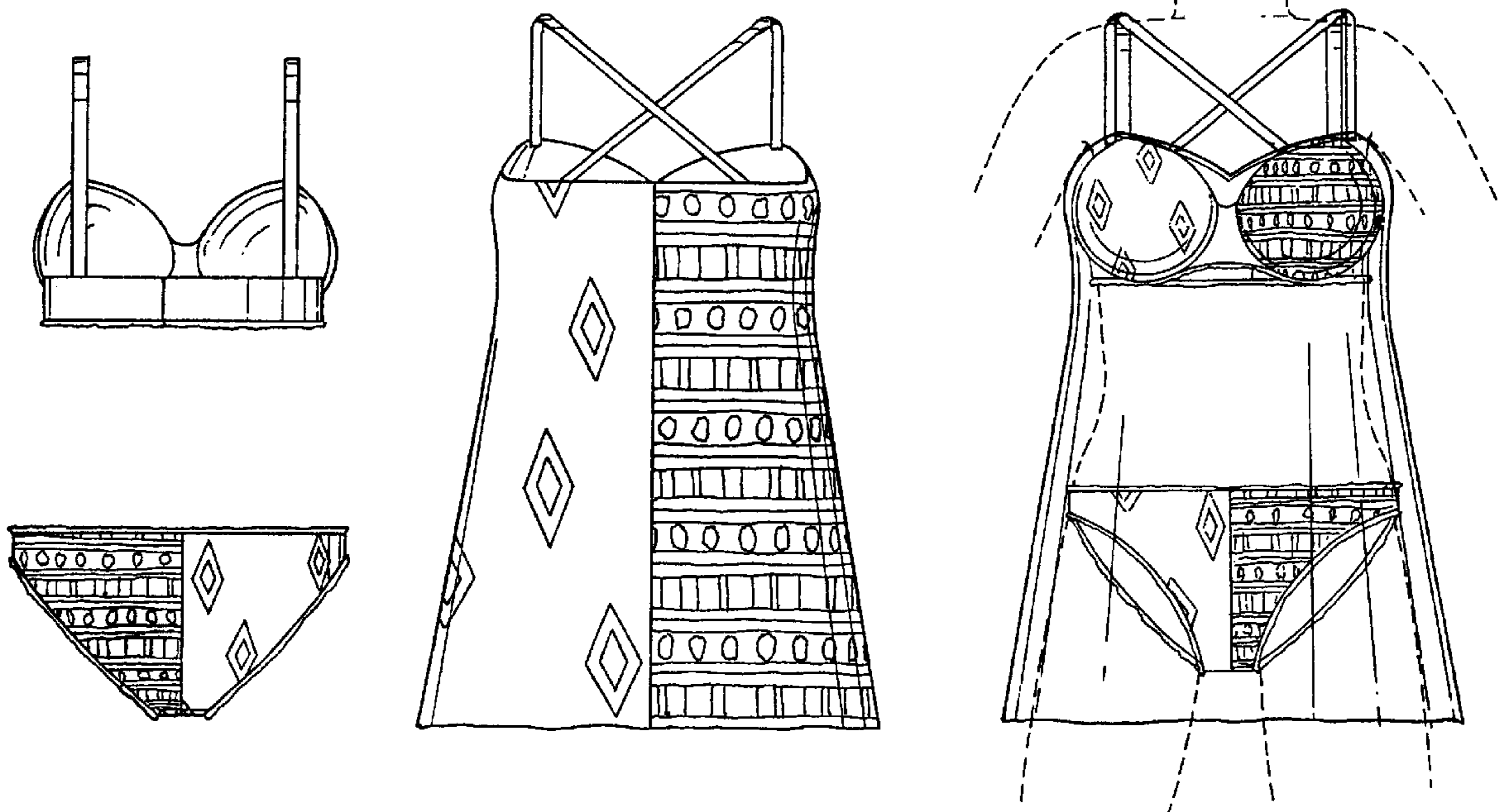
FIG. 5 is a top plan view of the undergarment ensemble of FIG. 1;

FIG. 6 is a bottom plan view of the undergarment ensemble of FIG. 1; and,

FIG. 7 is a combined front elevational view of the undergarment ensemble of FIG. 1.

The broken lines showing of a body in FIG. 7 are for illustrative purposes only and form no part of the claimed design.

1 Claim, 4 Drawing Sheets



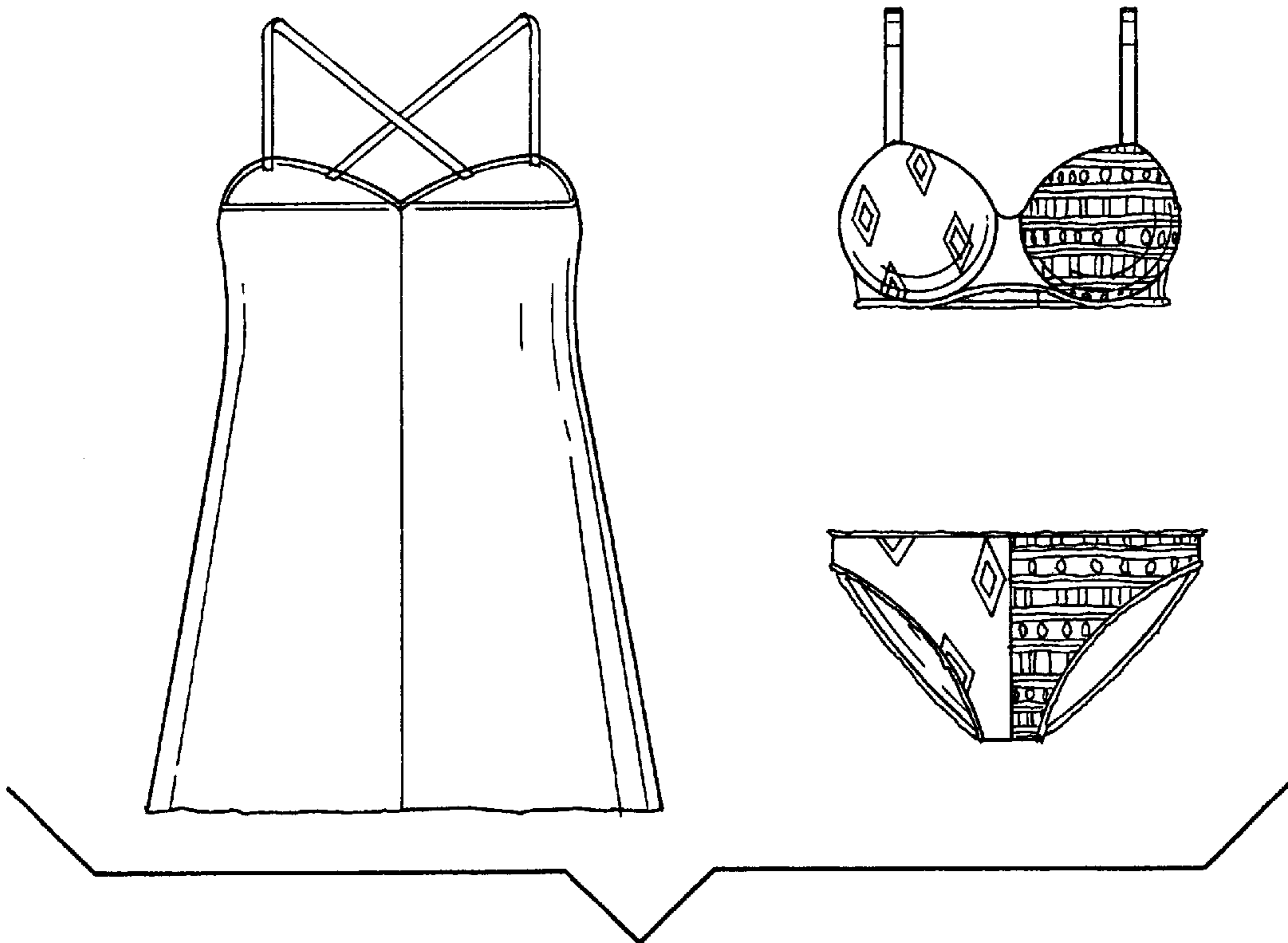


FIG.1

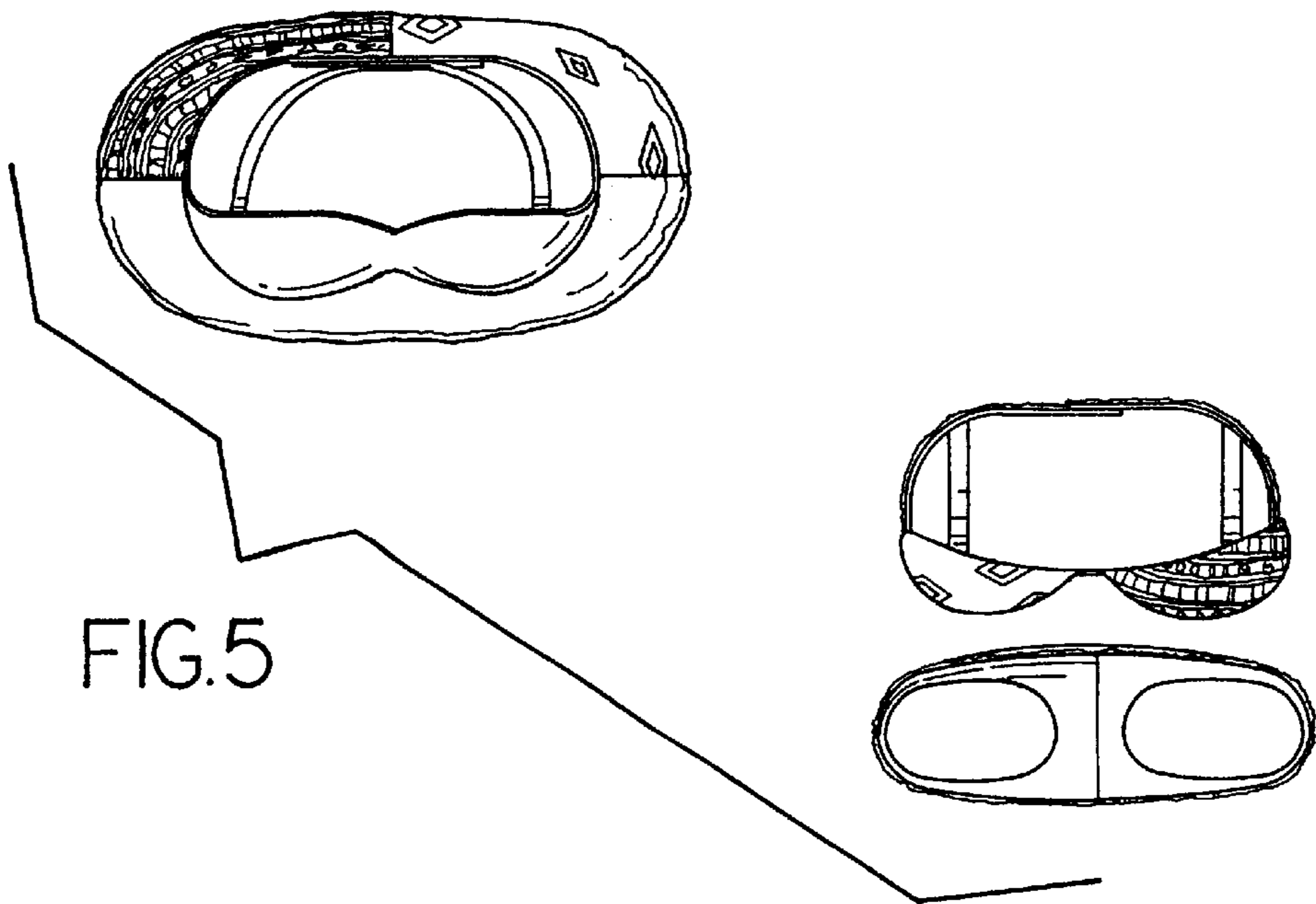


FIG.5

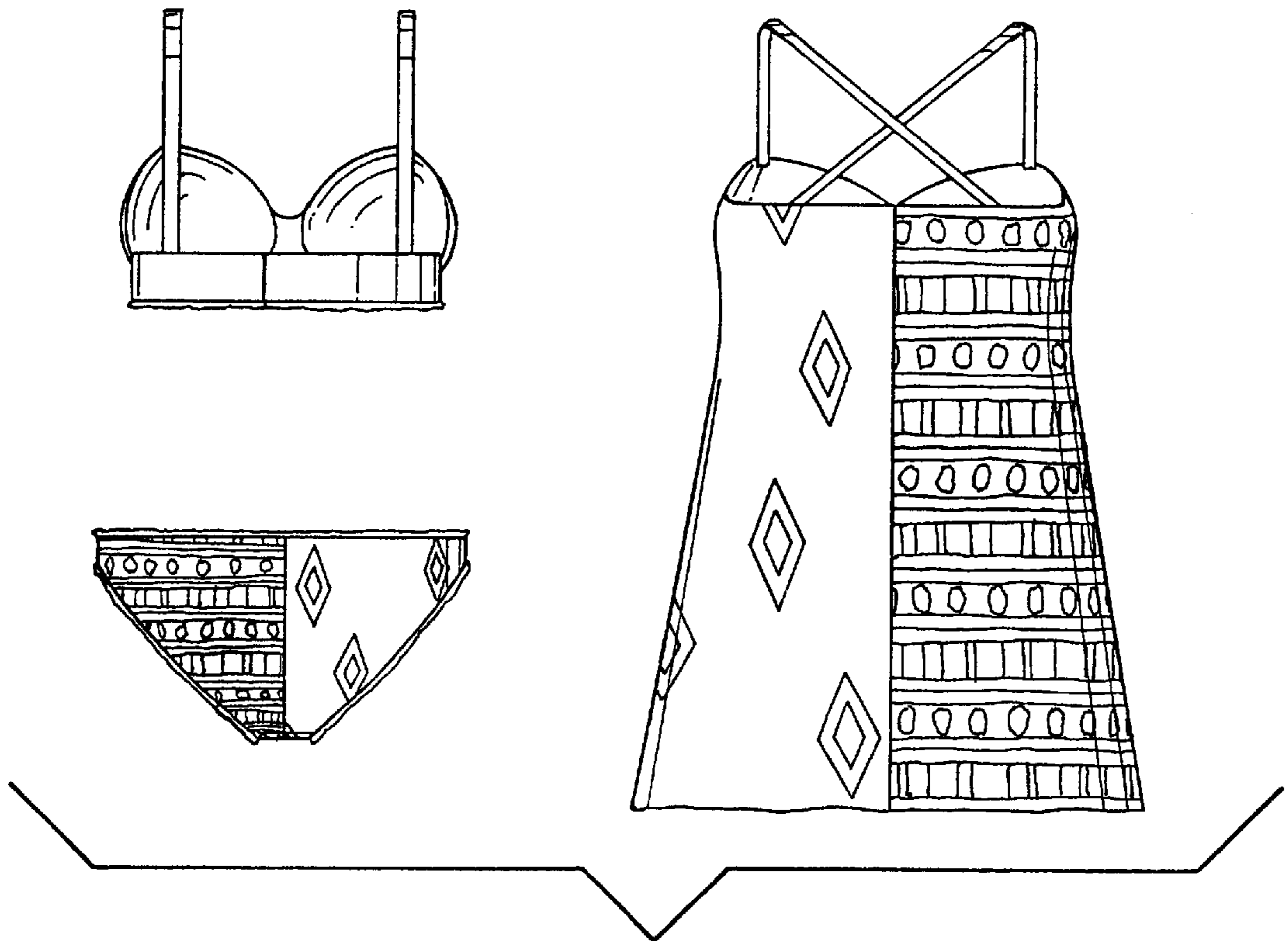


FIG. 2

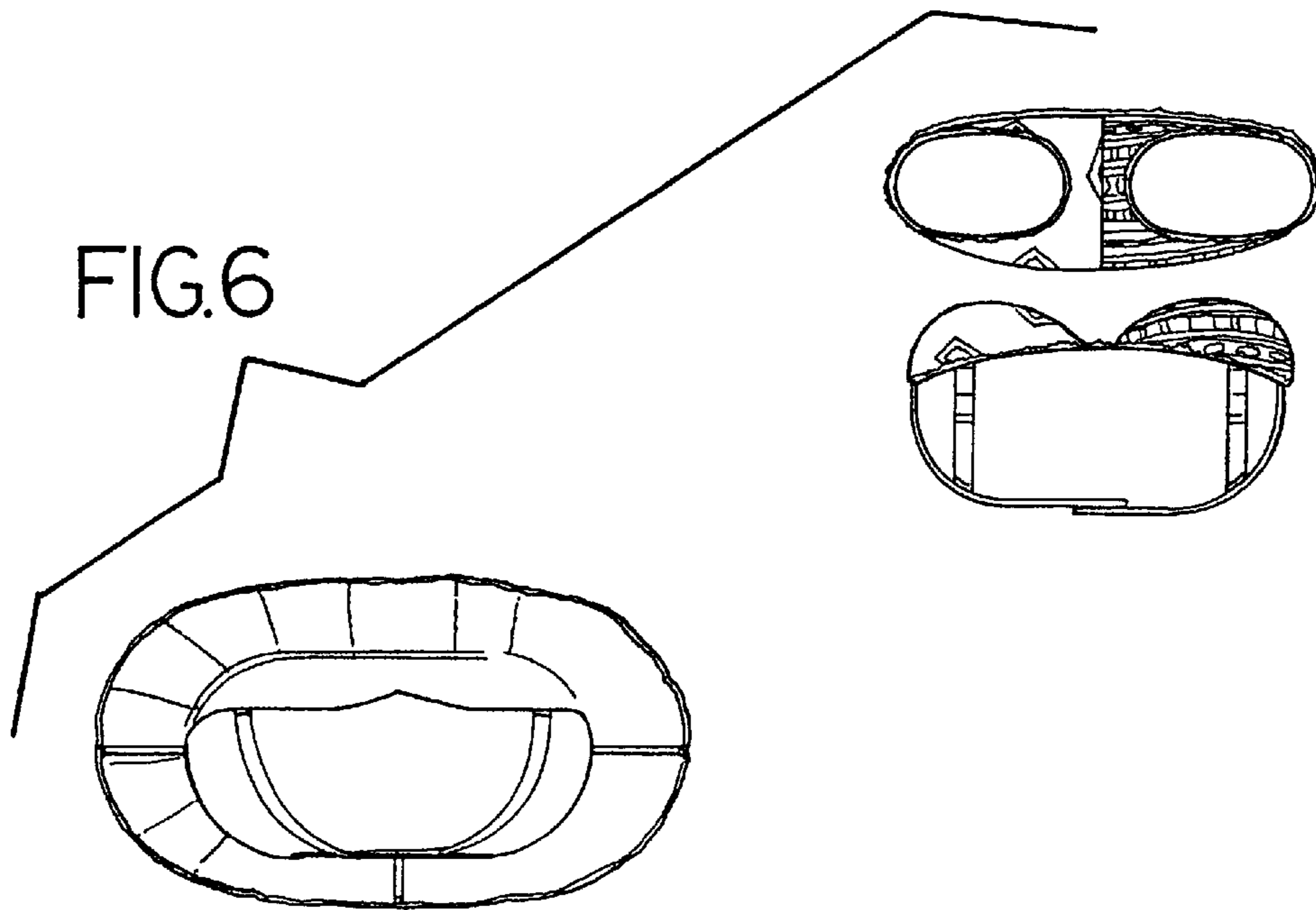


FIG. 6

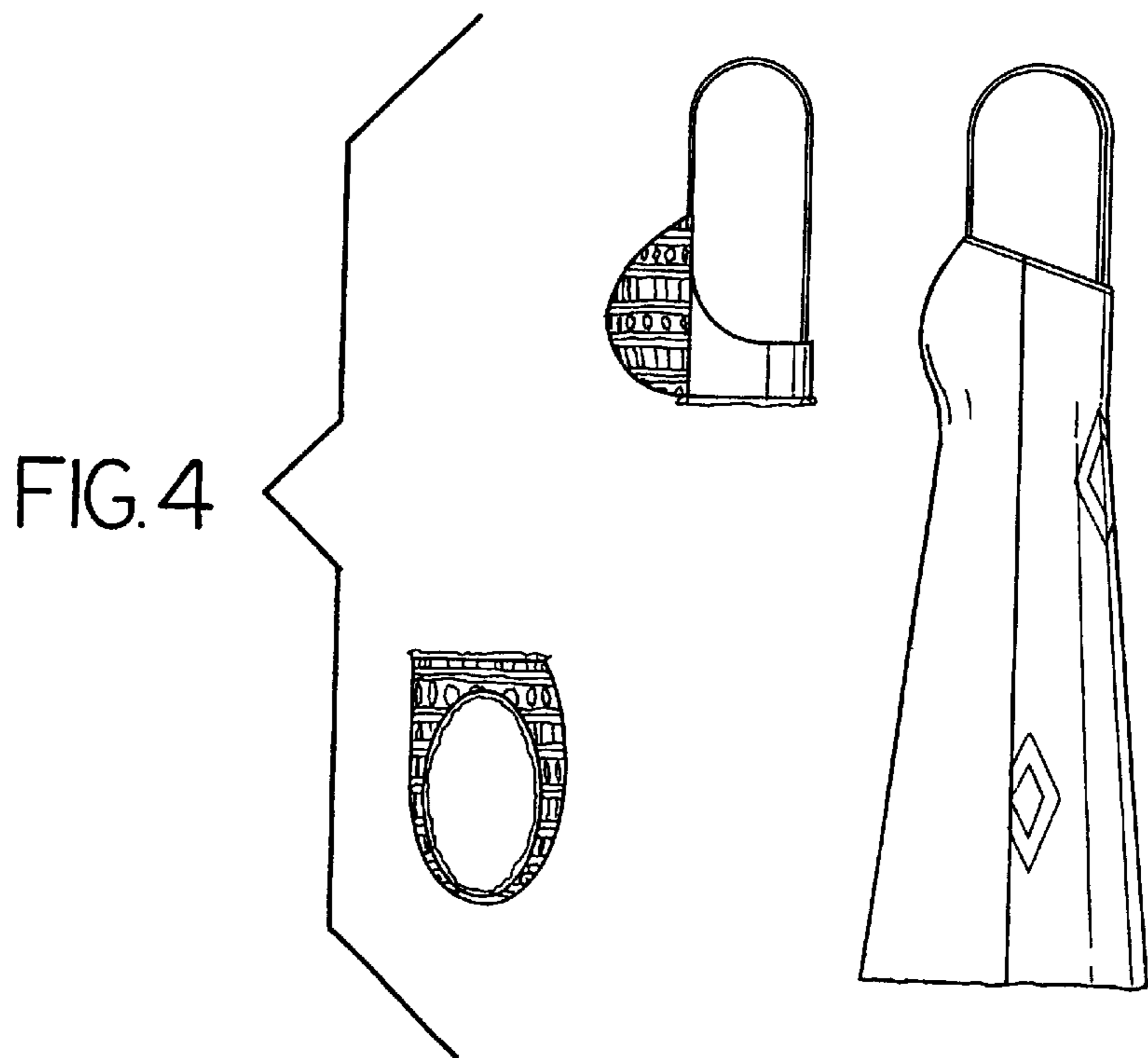
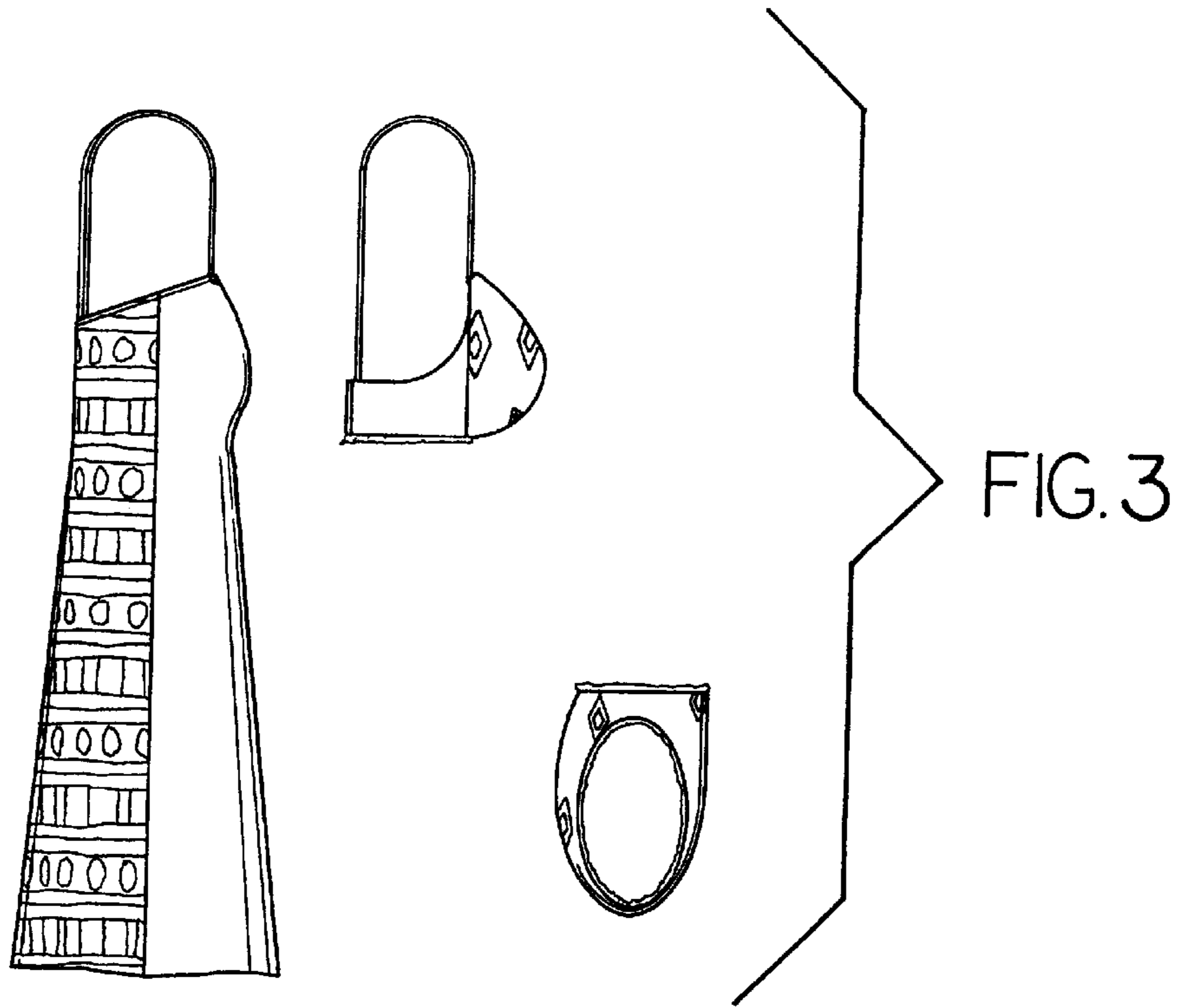


FIG. 7

