



US00D469236S

(12) **United States Design Patent**
Mitsuyoshi et al.

(10) **Patent No.:** **US D469,236 S**

(45) **Date of Patent:** **** Jan. 21, 2003**

(54) **FORK LIFT TRUCK**

(75) Inventors: **Manabe Mitsuyoshi**, Osaka (JP);
Tsutomu Ueda, Osaka (JP); **Takeshi Nishikawa**, Osaka (JP); **Yuji Hirano**, Osaka (JP); **Toshihiro Kudo**, Osaka (JP)

(73) Assignee: **TCM Corporation**, Osaka (JP)

(**) Term: **14 Years**

(21) Appl. No.: **29/145,436**

(22) Filed: **Jul. 23, 2001**

(51) **LOC (7) Cl.** **12-05**

(52) **U.S. Cl.** **D34/34**

(58) **Field of Search** D34/28, 37, 34;
187/222, 237; 414/572, 592, 631; 180/89.12,
89.13, 89.17

(56) **References Cited**

U.S. PATENT DOCUMENTS

D231,340 S	*	4/1974	Haynes	D34/34
D234,050 S	*	1/1975	Crawford	D34/34
D257,432 S	*	10/1980	Erlacher	D34/34
4,392,669 A	*	7/1983	Martin, Jr.	180/89.12
D281,199 S	*	10/1985	Prawl	D34/28
4,688,981 A	*	8/1987	Ravnsborg et al.	414/572
D327,356 S	*	6/1992	Laatsch	D34/34
5,184,699 A	*	2/1993	Aoki et al.	414/631
D338,764 S	*	8/1993	Furuta et al.	D34/34
5,238,086 A	*	8/1993	Aoki et al.	414/631
D361,645 S	*	8/1995	Heiler	D34/34
D362,329 S	*	9/1995	Heiler	D34/34
D367,750 S	*	3/1996	Choi et al.	D34/34
D371,669 S	*	7/1996	Yoon	D34/34
D374,752 S	*	10/1996	Lee et al.	D34/34
D376,242 S	*	12/1996	Jung et al.	D34/34
D384,476 S	*	9/1997	Rick et al.	D34/34
D386,872 S	*	11/1997	Rick et al.	D34/34
D386,875 S	*	11/1997	Kim	D34/34
D386,877 S	*	11/1997	Russey et al.	D34/34
D389,981 S	*	1/1998	Donaldson	D34/34
D389,982 S	*	1/1998	Kim	D34/34
D393,134 S	*	3/1998	Mariano	D34/34
D393,516 S	*	4/1998	Hahn et al.	D34/34

D393,517 S	*	4/1998	Kim et al.	D34/34
D395,115 S	*	6/1998	Russey et al.	D34/34
D395,532 S	*	6/1998	Kim	D34/34
D396,928 S	*	8/1998	Hahn et al.	D34/34
5,881,842 A	*	3/1999	Kikukawa	187/222
D411,681 S	*	6/1999	Murakami et al.	D34/34
D412,385 S	*	7/1999	Murakami et al.	D34/34
D427,409 S	*	6/2000	Sato et al.	D34/34
6,092,976 A	*	7/2000	Kamiya	414/631
D432,753 S	*	10/2000	Braud	D34/34
D441,936 S	*	5/2001	Brandt et al.	D34/28
6,233,827 B1	*	5/2001	Oliver et al.	187/222
D444,607 S	*	7/2001	Yurushi et al.	D34/34
D448,136 S	*	9/2001	Yurushi et al.	D34/34
D452,598 S	*	12/2001	Sato	D34/34

* cited by examiner

Primary Examiner—Cynthia E. Ramirez

(74) *Attorney, Agent, or Firm*—Fildes & Outland, P.C.

(57) **CLAIM**

The ornamental design for a fork lift truck, as shown and described.

DESCRIPTION

FIG. 1 is a front elevational view of a fork lift truck showing our new design;
 FIG. 2 is a rear elevational view thereof;
 FIG. 3 is a top plan view thereof;
 FIG. 4 is a bottom plan view thereof;
 FIG. 5 is a right side elevational view thereof;
 FIG. 6 is a left side elevational view thereof;
 FIG. 7 is a sectional plan view thereof taken along line 7—7 in FIG. 5;
 FIG. 8 is a sectional elevational view thereof taken along line 8—8 in FIG. 3;
 FIG. 9 is a perspective view thereof from the right front;
 FIG. 10 is a perspective view thereof from the left rear;
 FIG. 11 is another perspective view from the left rear showing the battery storage room being opened;
 FIG. 12 is another right side elevational view showing the wheels in an alternate position;
 FIG. 13 is a front perspective view showing the wheels in an alternate position; and,
 FIG. 14 is a rear perspective view showing the wheels in an alternate position.

1 Claim, 7 Drawing Sheets

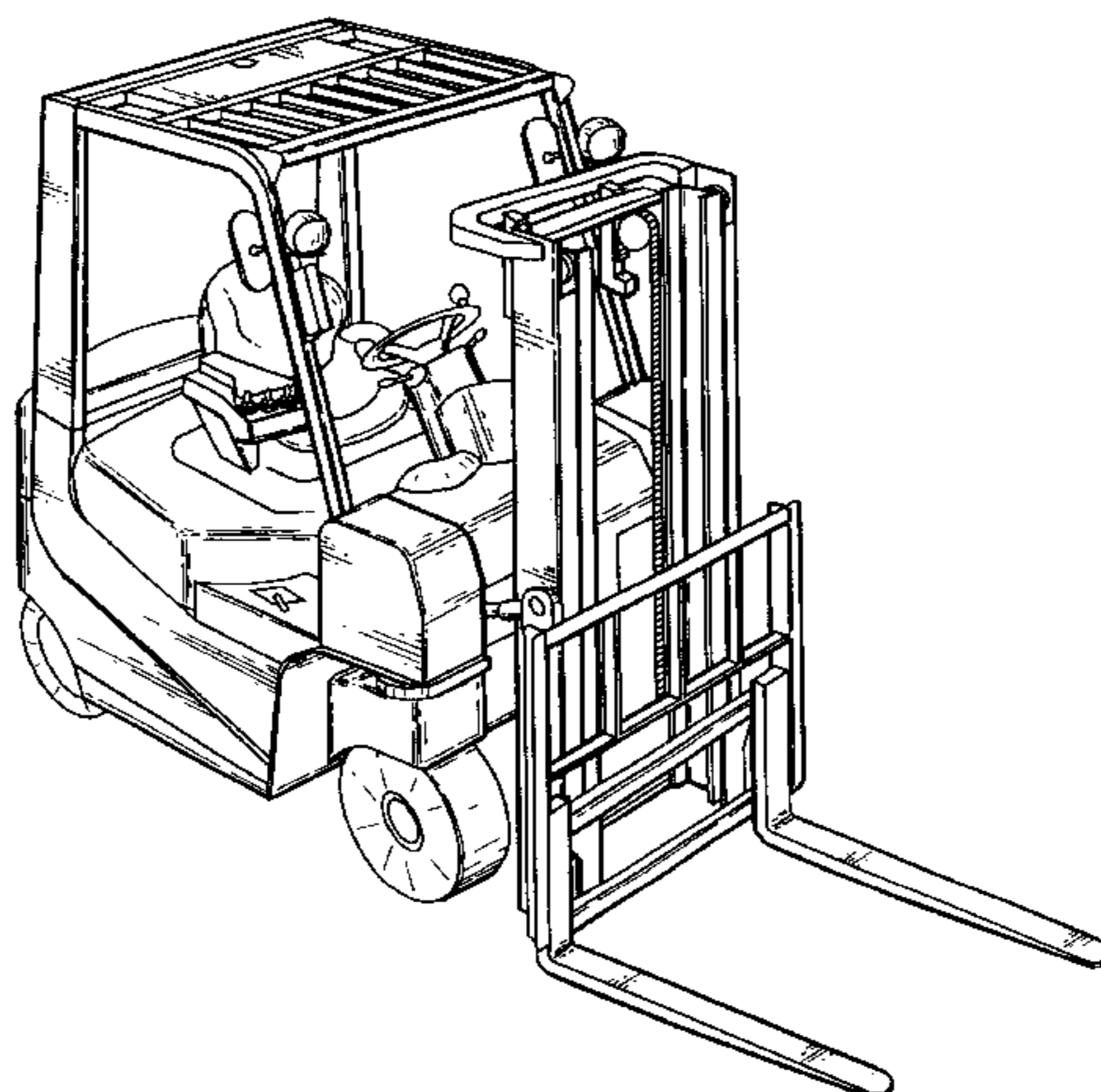


FIG - 2

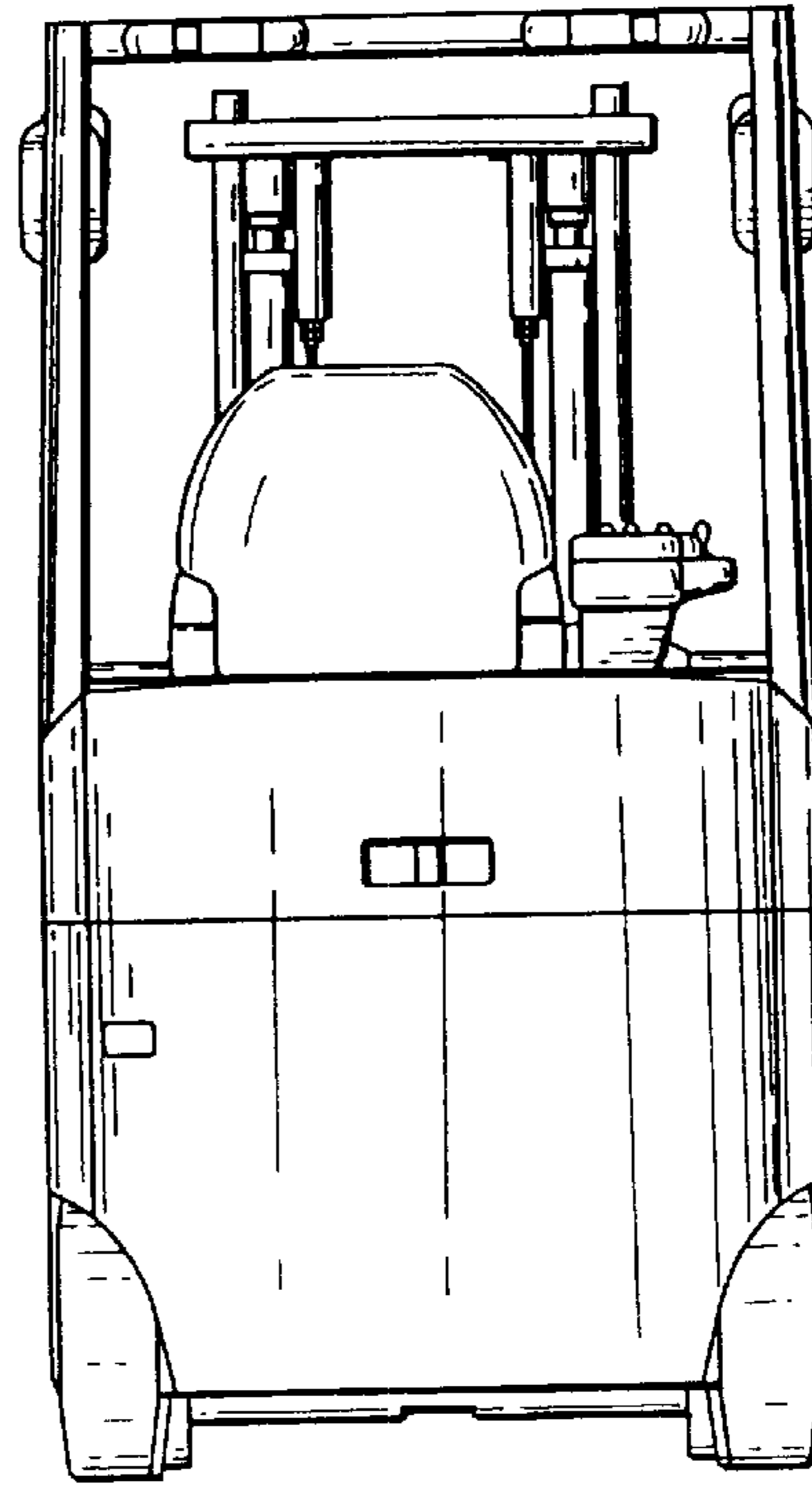


FIG - 1

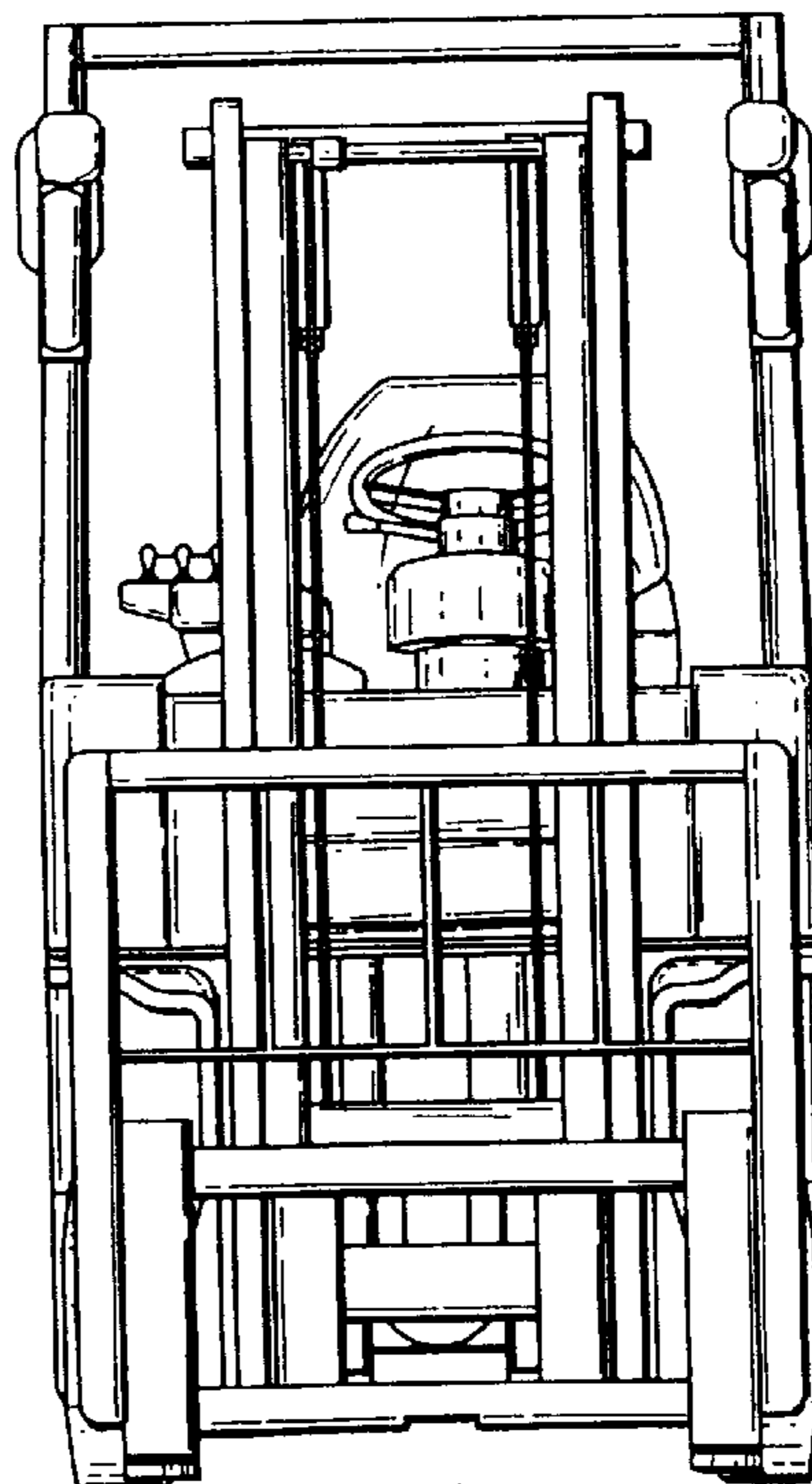


FIG - 3

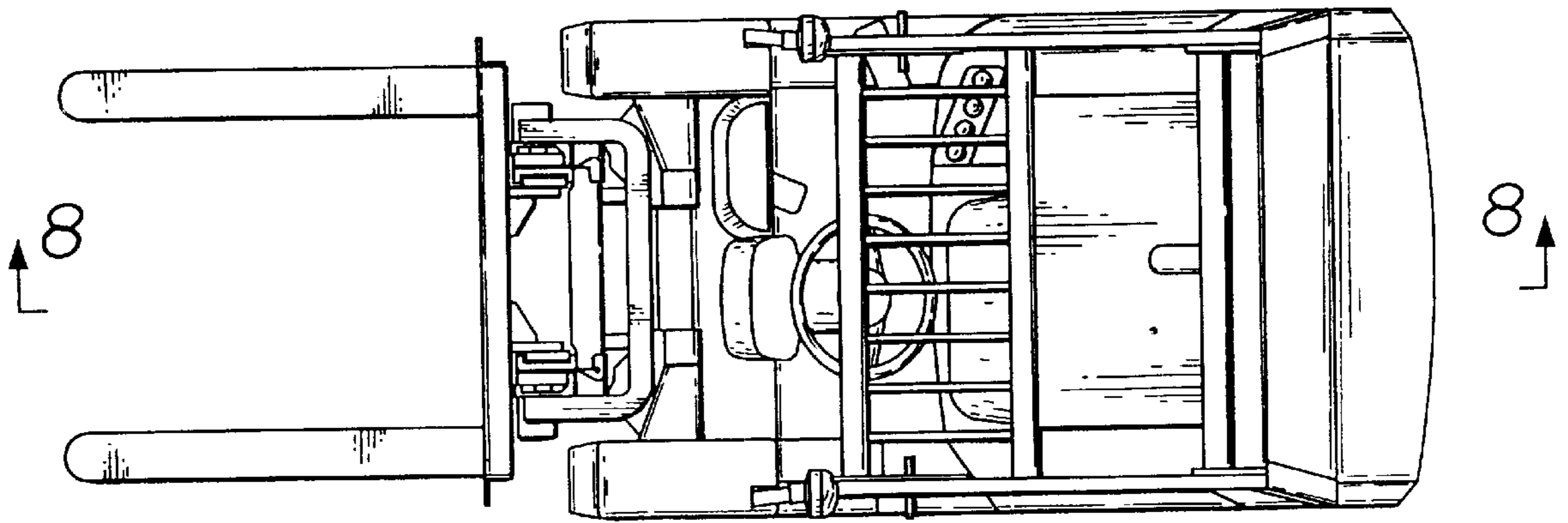


FIG - 4

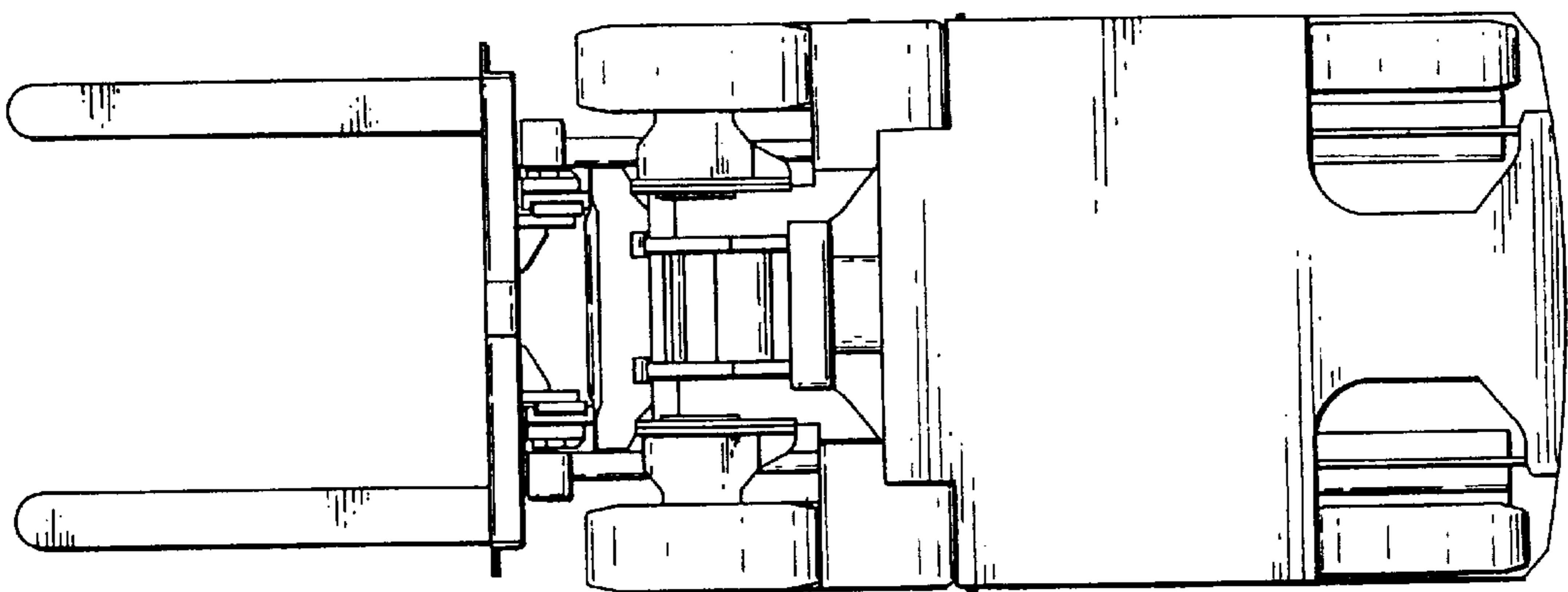


FIG - 5

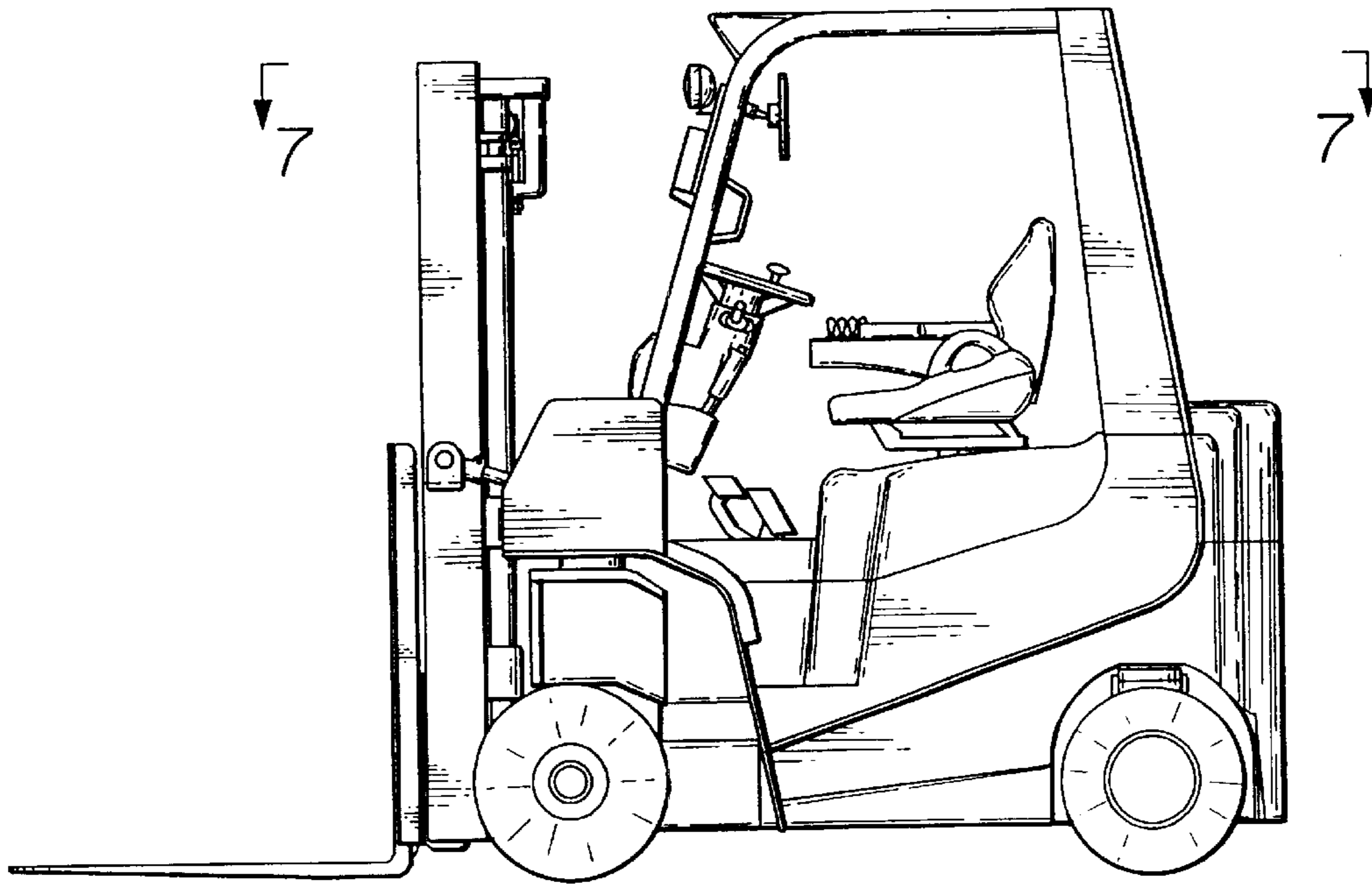


FIG - 6

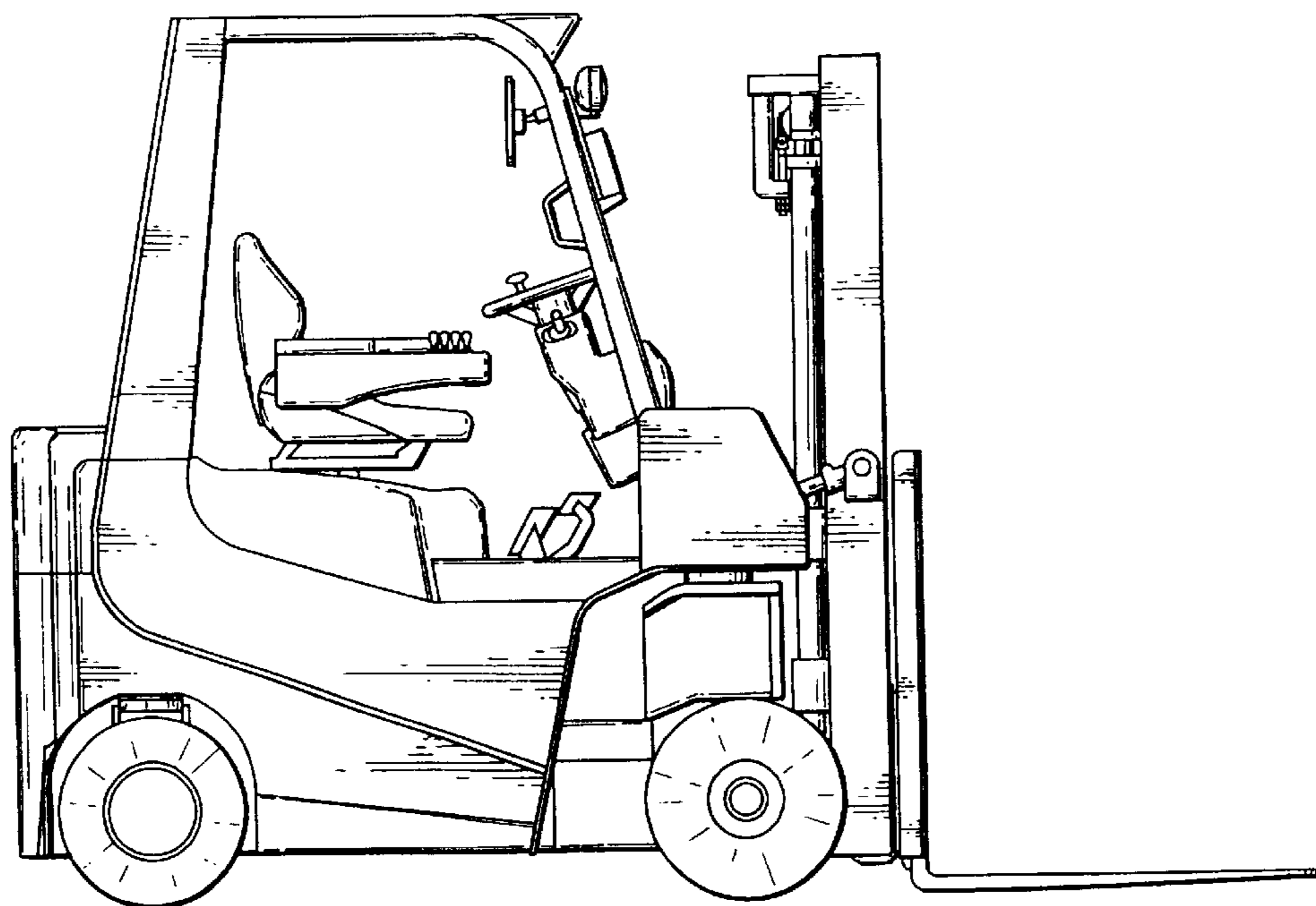


FIG - 7

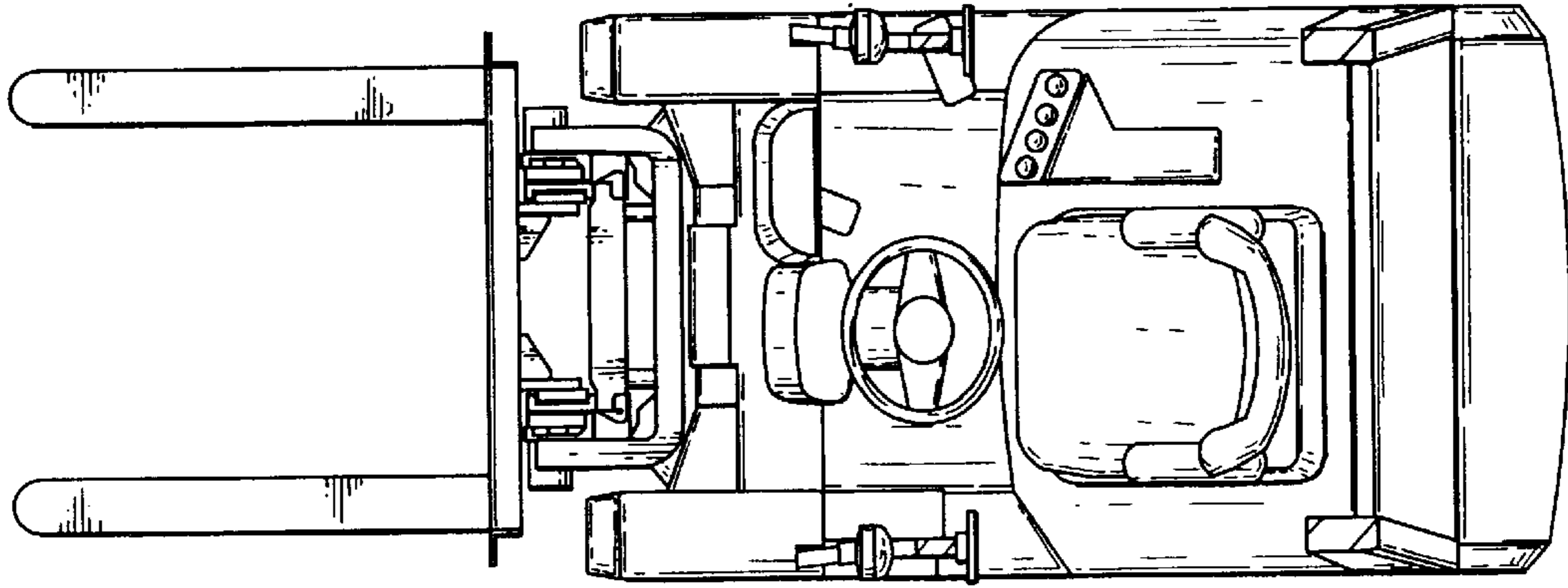
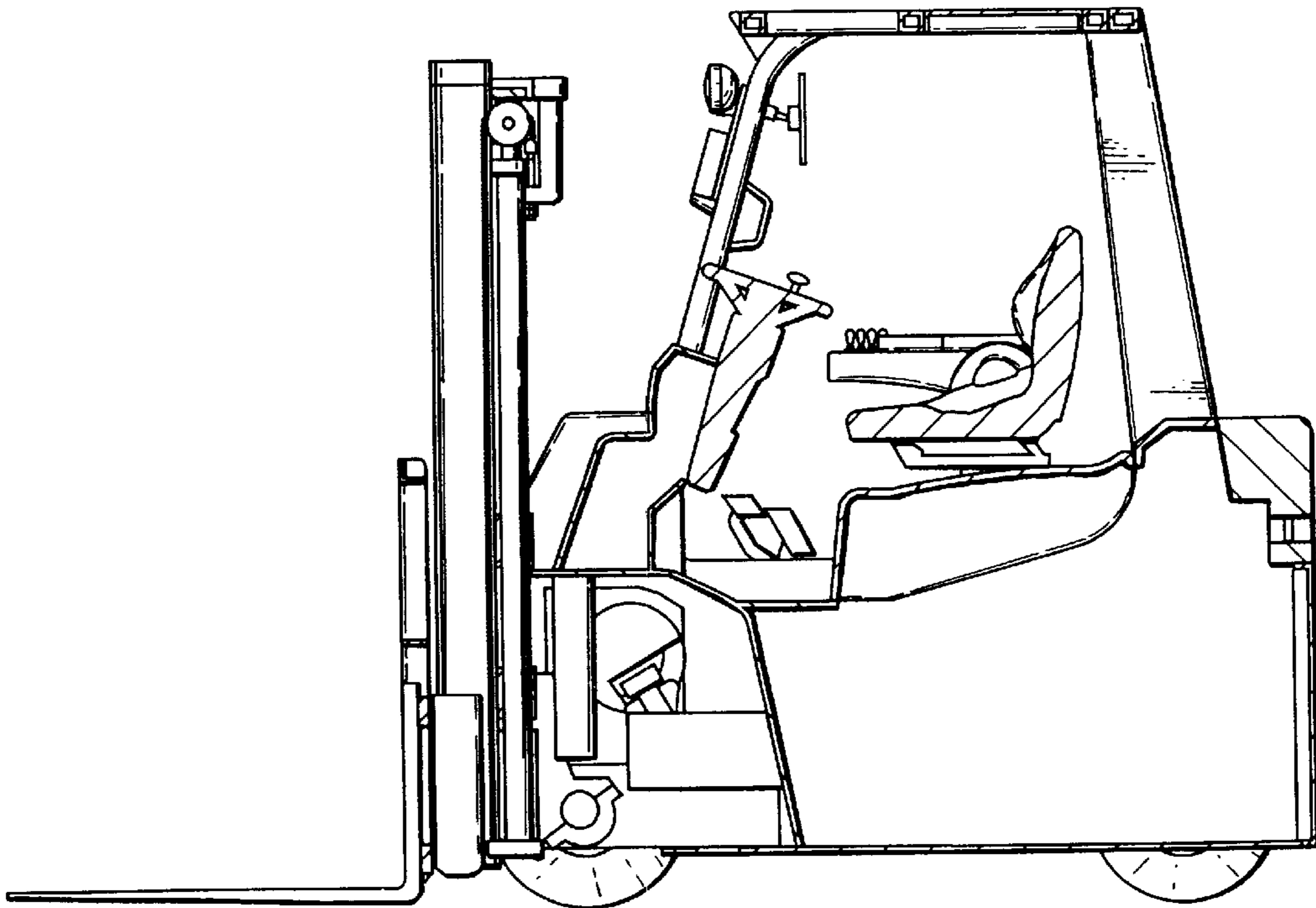


FIG - 8



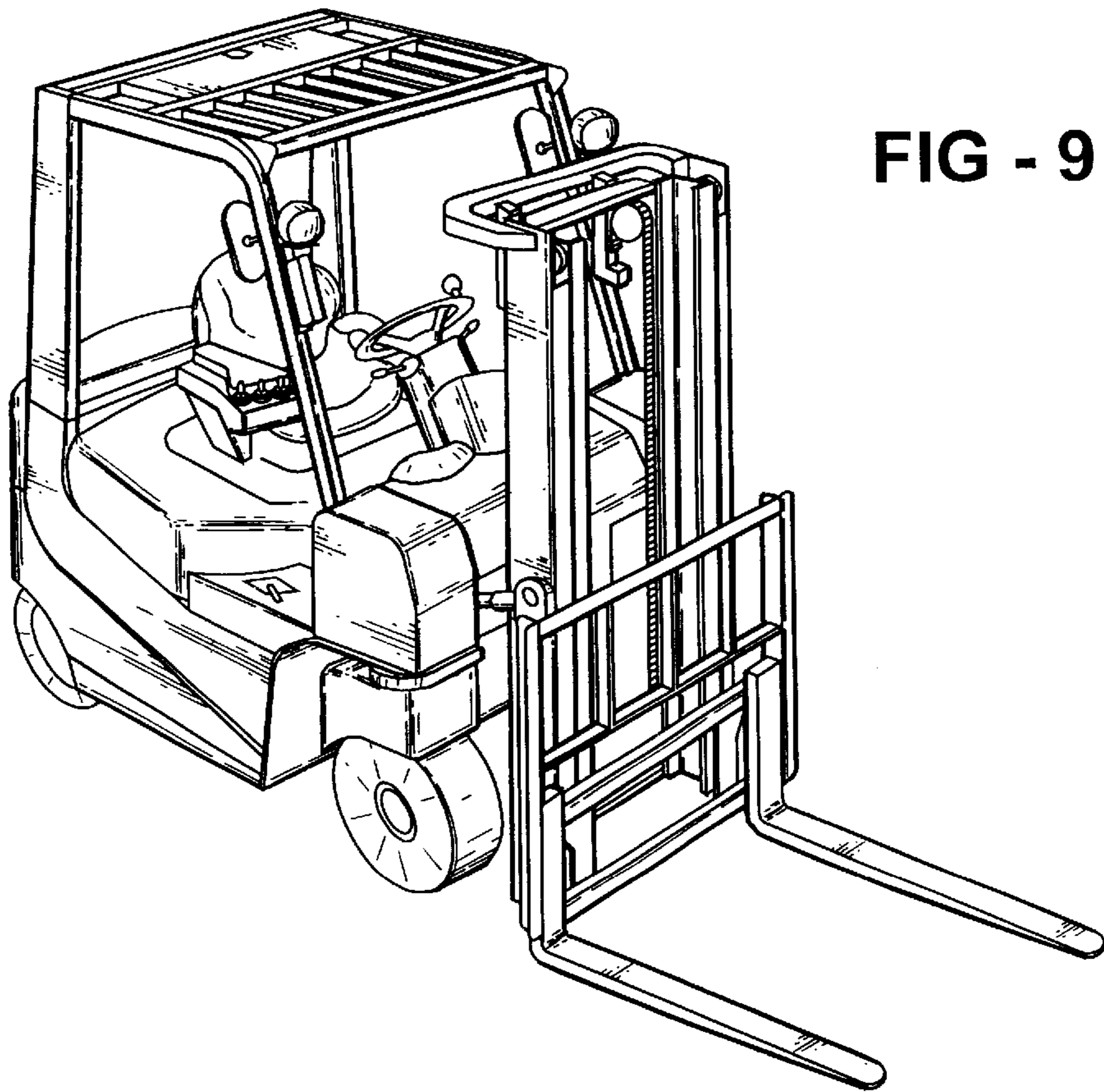
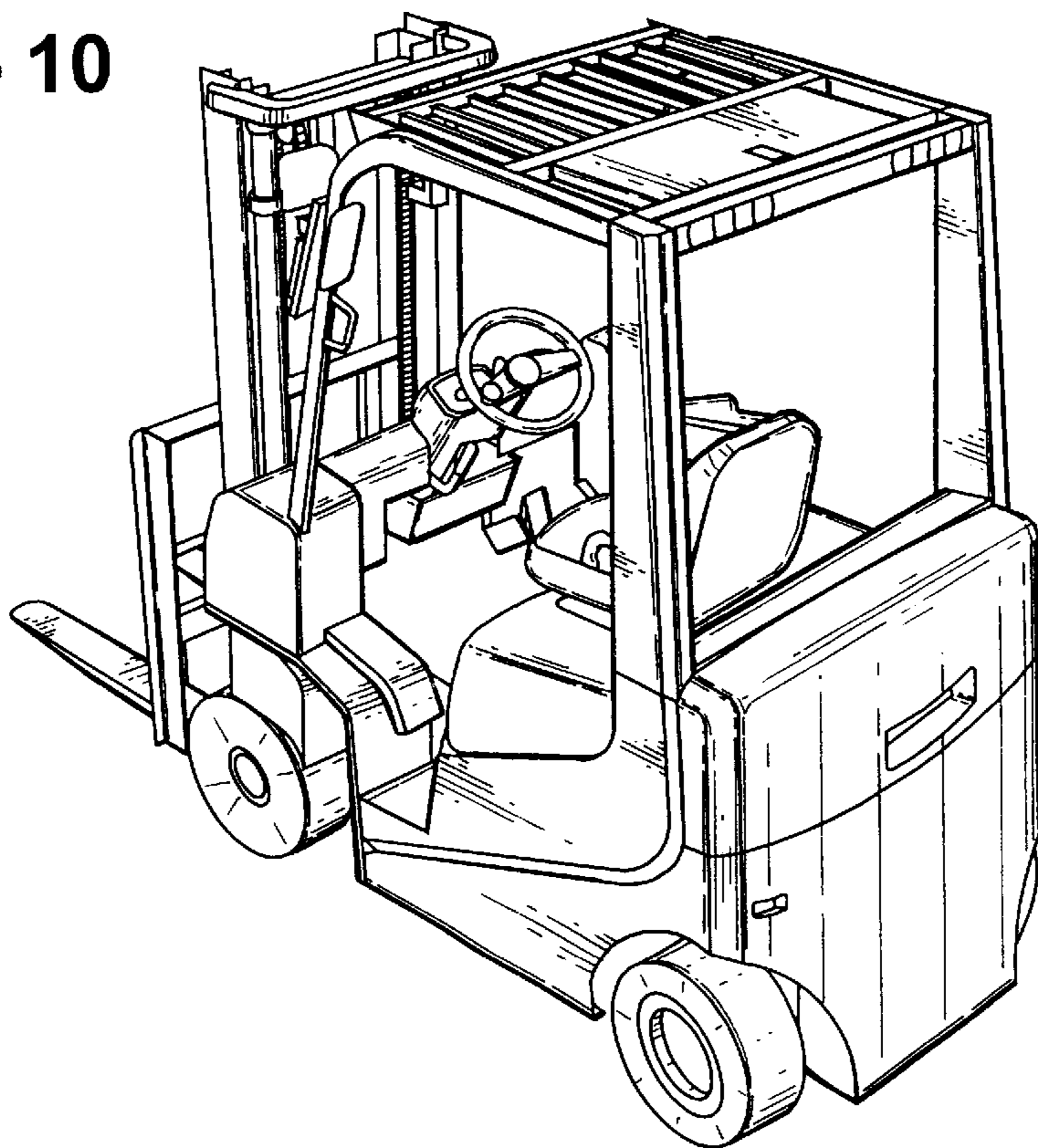


FIG - 9

FIG - 10



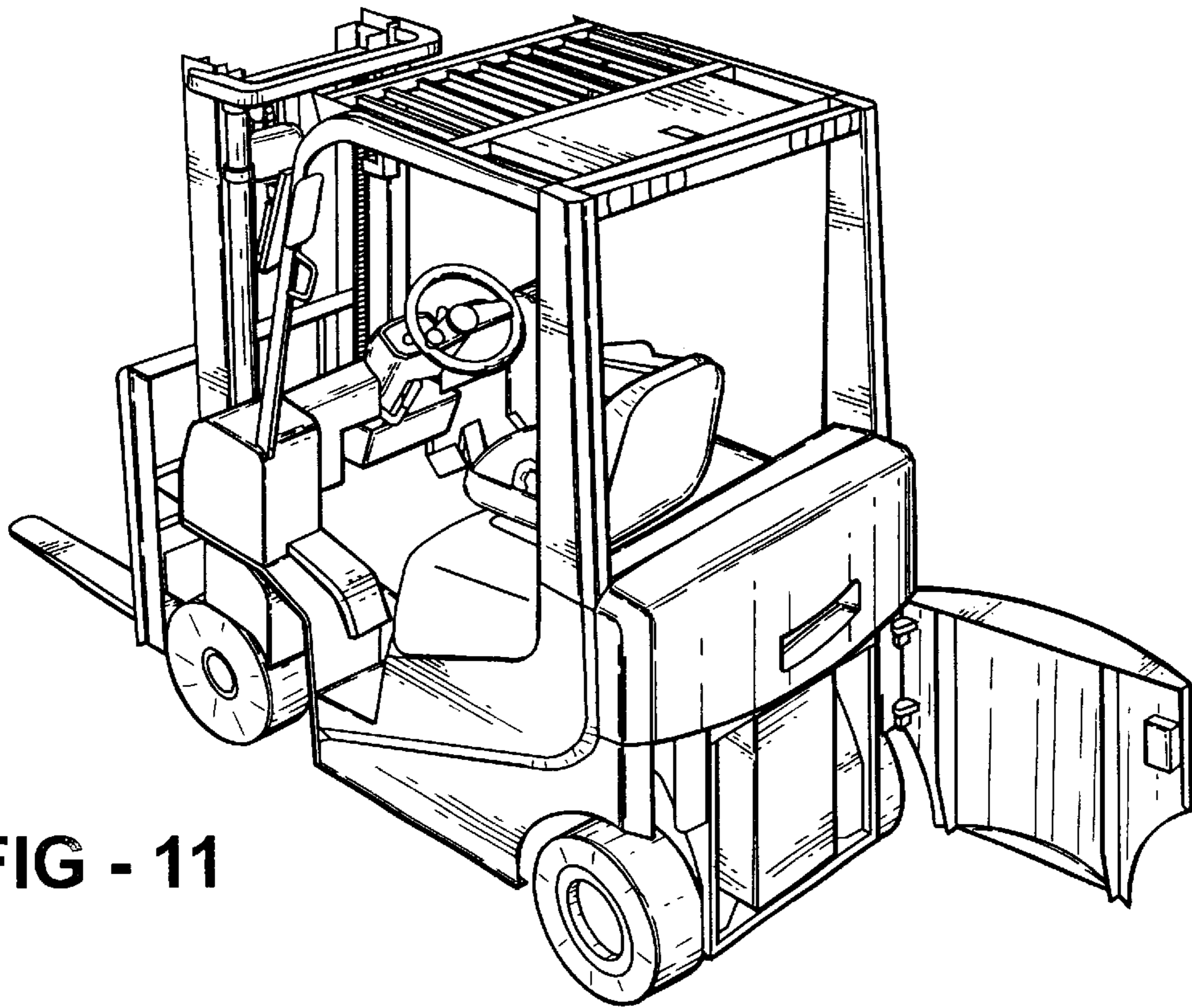


FIG - 11

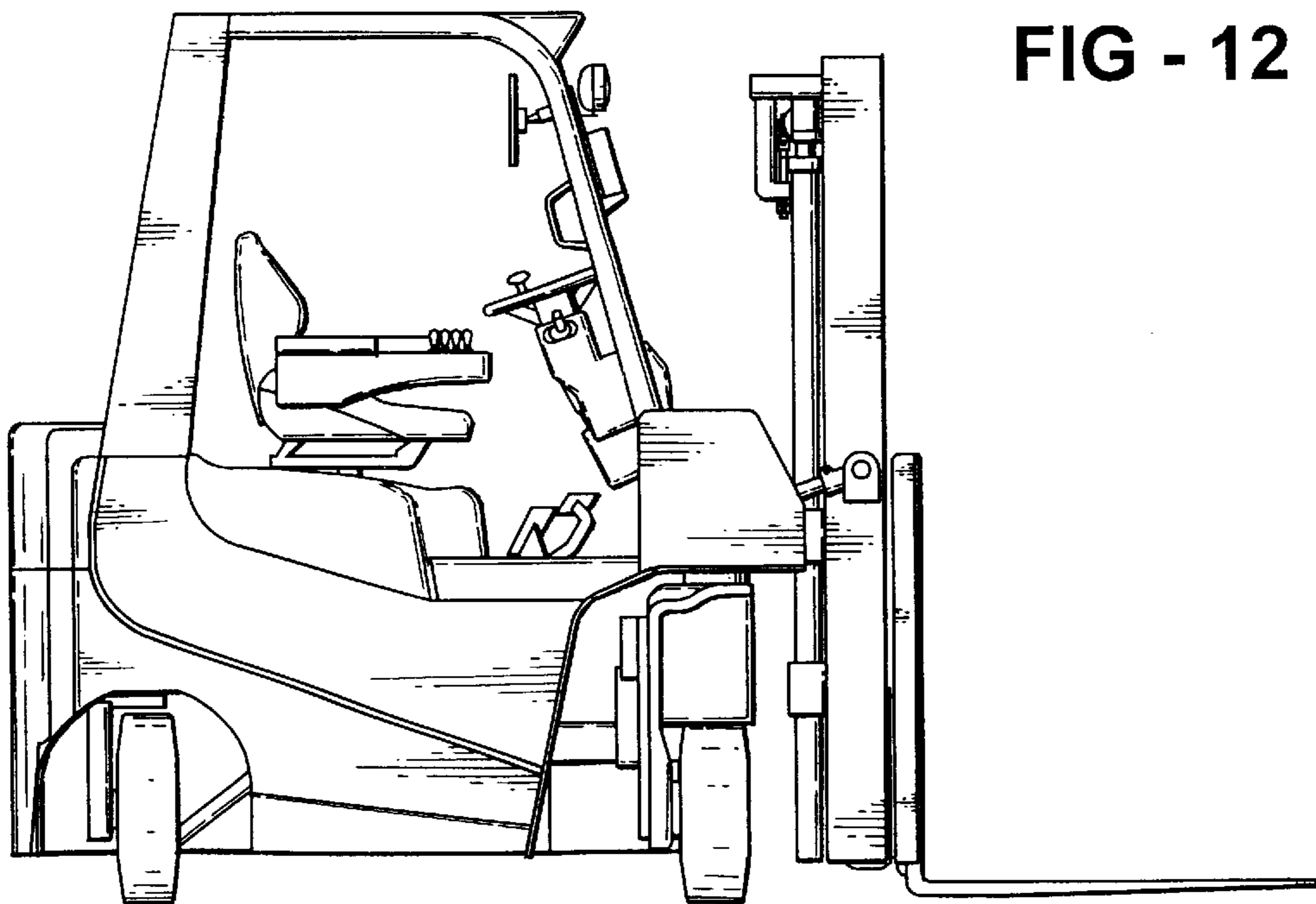


FIG - 12

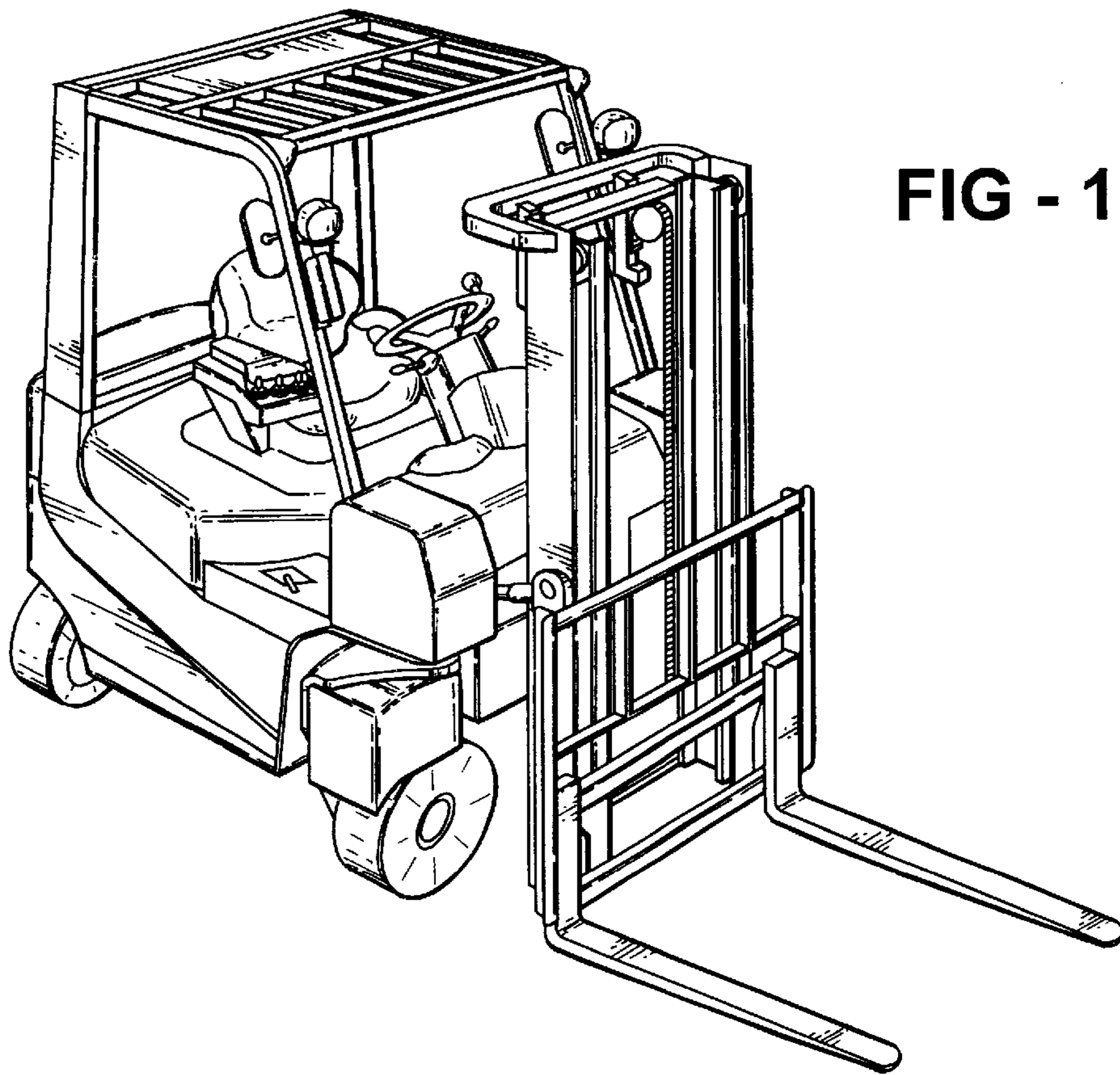
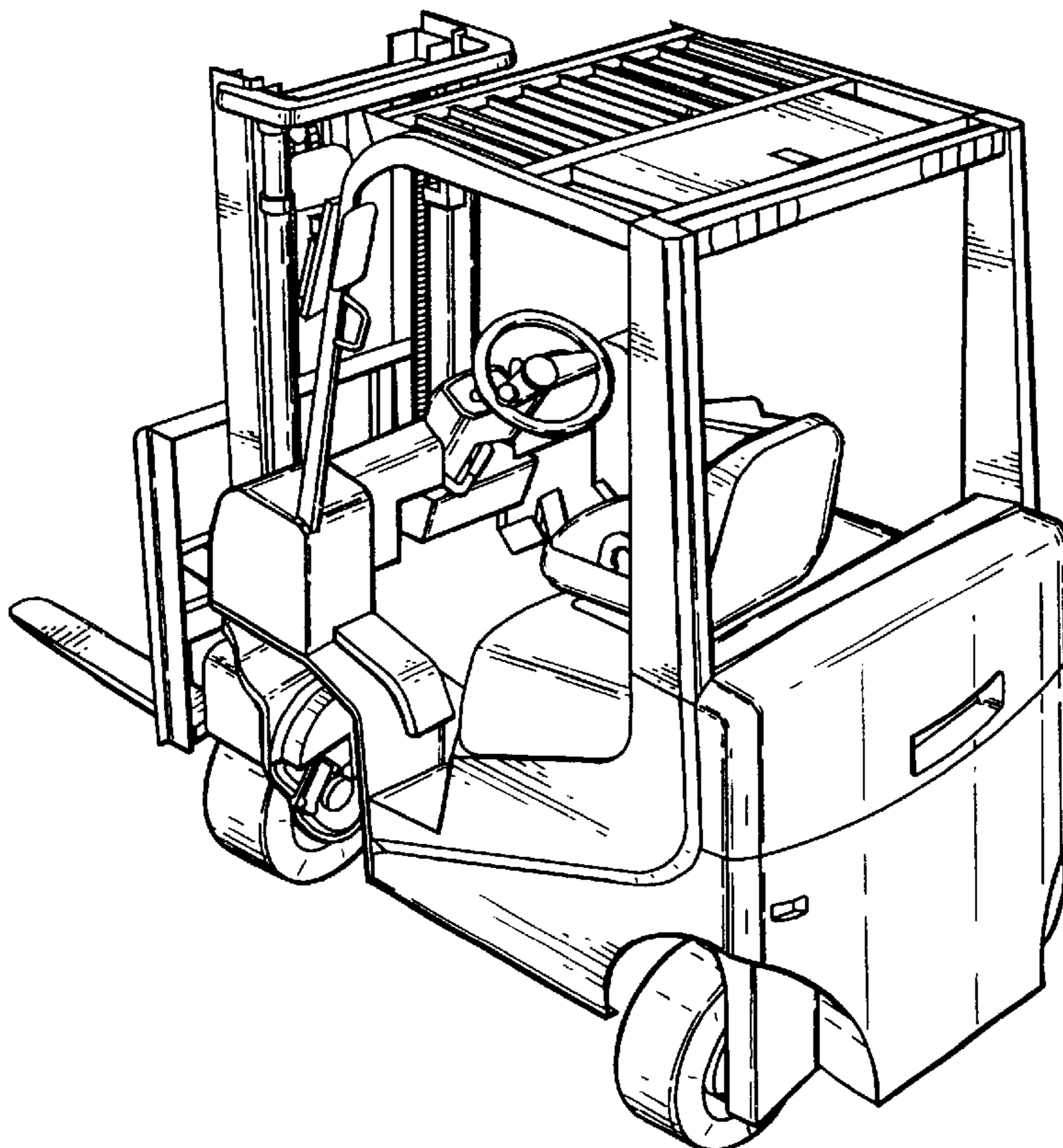


FIG - 13

FIG - 14



UNITED STATES PATENT AND TRADEMARK OFFICE
CERTIFICATE OF CORRECTION

PATENT NO. : Des. 469,236 S
DATED : January 21, 2003
INVENTOR(S) : Mitsuyoshi et al.

Page 1 of 1

It is certified that error appears in the above-identified patent and that said Letters Patent is hereby corrected as shown below:

Title page,

Add: -- [30] **Foreign Application Priority Data**
March 16, 2001 (JP)2001-006959 --

Signed and Sealed this

Tenth Day of June, 2003



JAMES E. ROGAN
Director of the United States Patent and Trademark Office