



US00D469235S

(12) **United States Design Patent**
Calmeise et al.

(10) **Patent No.:** **US D469,235 S**

(45) **Date of Patent:** **** Jan. 21, 2003**

(54) **JANITORIAL CART**

(75) Inventors: **Randall W. Calmeise**, Akron, OH
(US); **Douglas S. Hardesty**, Barberton,
OH (US)

(73) Assignee: **Akro-Mils, a division of Myers
Industries, Inc.**, Akron, OH (US)

(**) Term: **14 Years**

(21) Appl. No.: **29/157,579**

(22) Filed: **Feb. 6, 2002**

(51) **LOC (7) Cl.** **12-02**

(52) **U.S. Cl.** **D34/21**

(58) **Field of Search** D34/12-27; D6/477,
D6/479; 280/47.34, 47.35, 47.26, 47.28,
79.11, 79.2

(56) **References Cited**

U.S. PATENT DOCUMENTS

D137,626 S	*	4/1944	Adams	D34/21
4,743,040 A		5/1988	Breveglieri et al.		
D302,064 S		7/1989	Delmerico		
4,869,518 A		9/1989	Breveglieri et al.		
4,923,202 A		5/1990	Breveglieri et al.		
5,074,571 A		12/1991	Reese		
D361,188 S		8/1995	Perelli		
5,671,933 A		9/1997	Tucker		
D395,108 S		6/1998	Pool		
5,913,528 A		6/1999	Kresse et al.		
D415,867 S		10/1999	Perelli		
D426,691 S	*	6/2000	Johnson et al.	D34/21
6,138,558 A		10/2000	Harrington		

OTHER PUBLICATIONS

Geerpress Housekeeping Cart, Model Escort RX, on sale at least as early as Feb. 1, 2000.

Geerpress Housekeeping Cart, Model Escort, on sale at least as early as Feb. 1, 2000.

(List continued on next page.)

Primary Examiner—Kay H. Chin

(74) *Attorney, Agent, or Firm*—Hahn Loeser & Parks LLP;
Michael H. Minns

(57) **CLAIM**

The ornamental design for a janitorial cart, as shown and described.

DESCRIPTION

FIG. 1 is a front perspective view of the janitorial cart of the present invention;

FIG. 2 is a rear perspective view of the janitorial cart of the present invention;

FIG. 3 is a right side view of the janitorial cart of the present invention;

FIG. 4 is a left side view of the janitorial cart of the present invention;

FIG. 5 is a top view of the janitorial cart of the present invention;

FIG. 6 is a back view of the janitorial cart of the present invention;

FIG. 7 is a frontal view of the janitorial cart of the present invention;

FIG. 8 is a front perspective view of a second embodiment of the janitorial cart of the present invention;

FIG. 9 is a rear perspective view of a second embodiment of the janitorial cart of the present invention;

FIG. 10 is a right side view of a second embodiment of the janitorial cart of the present invention;

FIG. 11 is a left side view of a second embodiment of the janitorial cart of the present invention;

FIG. 12 is a top view of a second embodiment of the janitorial cart of the present invention;

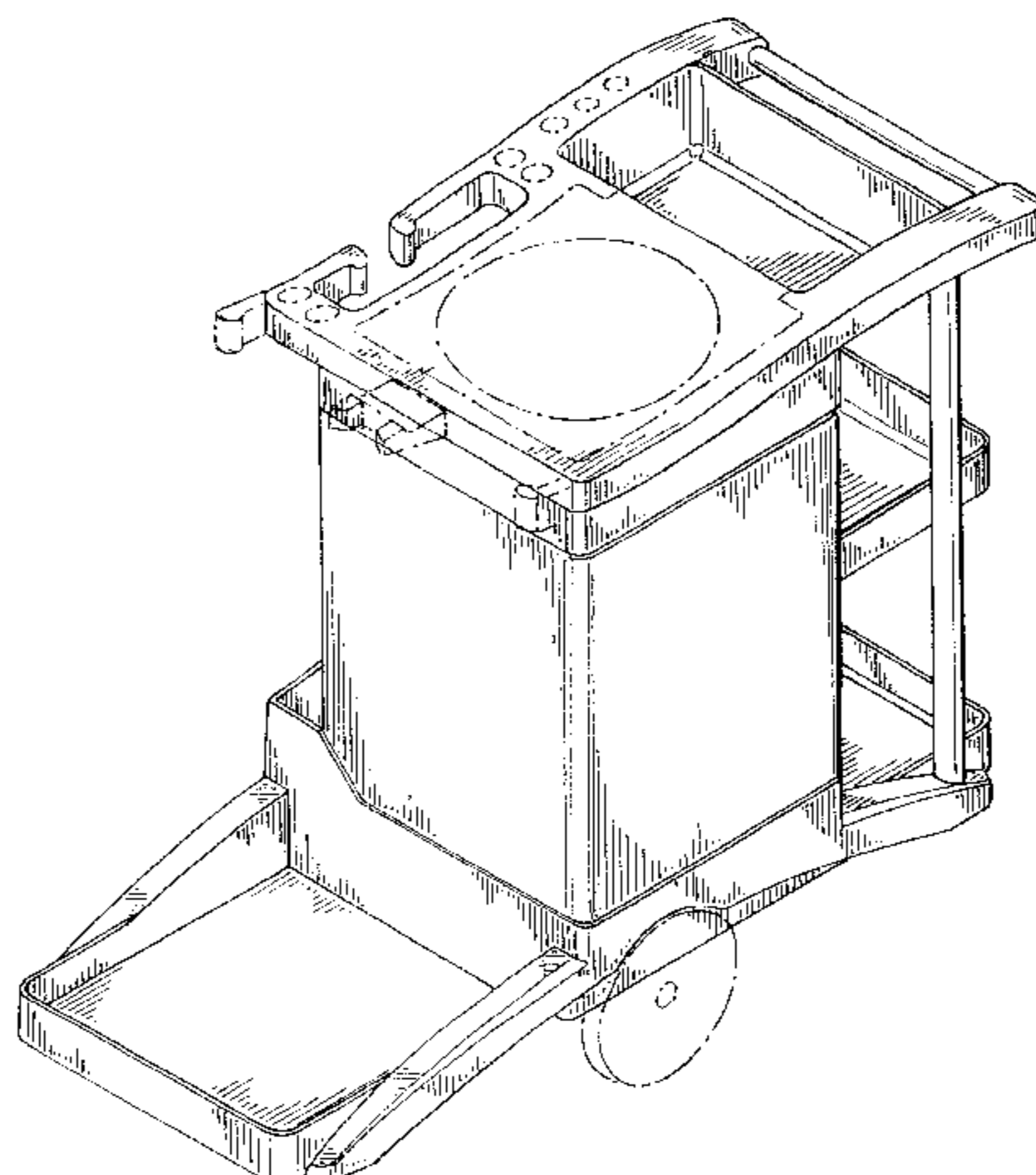
FIG. 13 is a back view of a second embodiment of the janitorial cart of the present invention; and,

FIG. 14 is a front view of a second embodiment of the janitorial cart of the present invention.

The broken line disclosure is for illustrative purposes only and forms no part of the claimed design.

The surface(s) or portion(s) of the article not shown in the drawings or described in the specification form(s) no part of the claimed design.

1 Claim, 7 Drawing Sheets



OTHER PUBLICATIONS

Rubbermaid HouseKeeping Cart, Model No. 6172-88, on sale at least as early as Feb. 1, 2000.

Rubbermaid Janitor Carts, Model Nos. 6173-02, 6173, on sale at least as early as Feb. 1, 2000.

* cited by examiner

FIG.-1

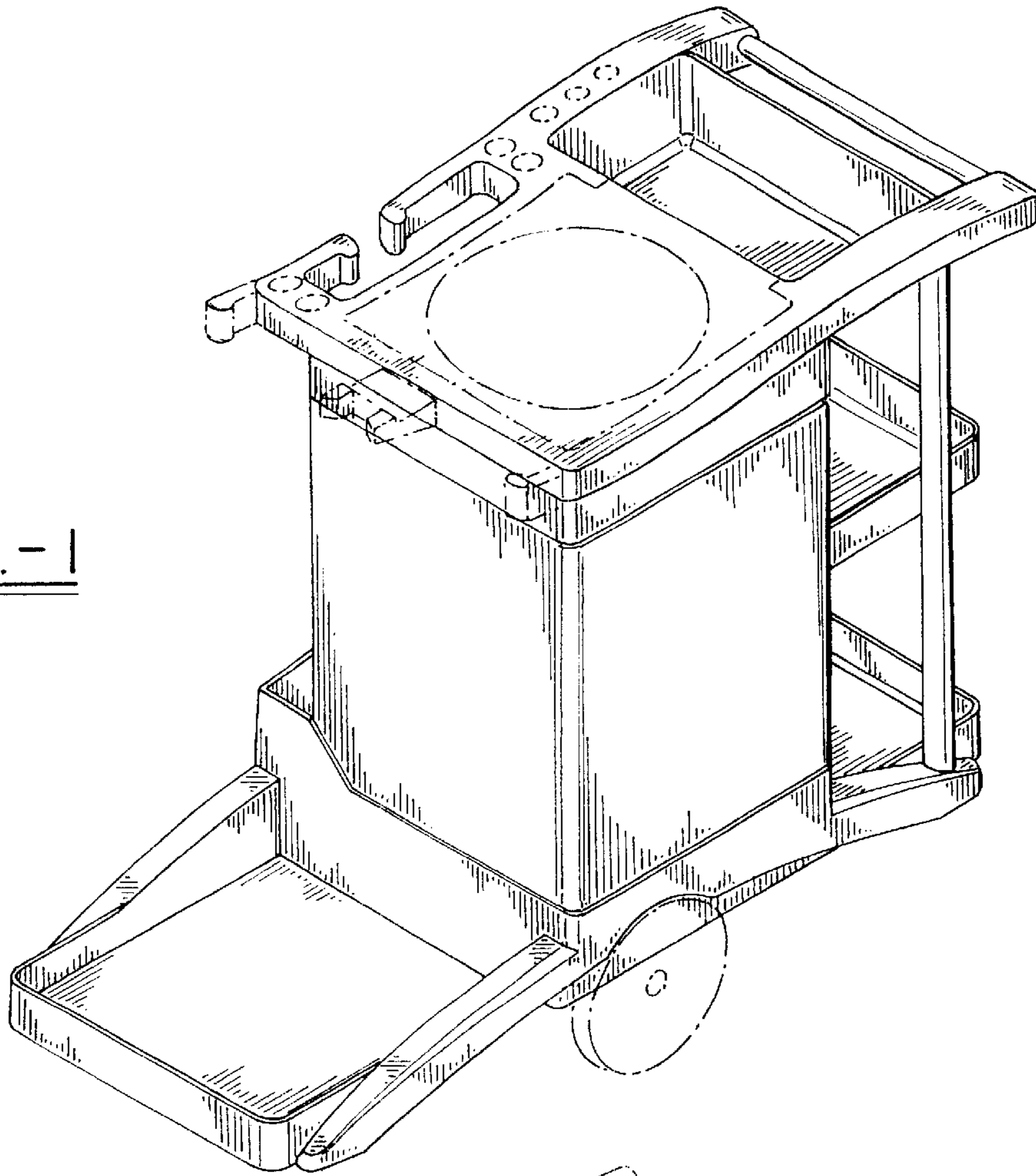
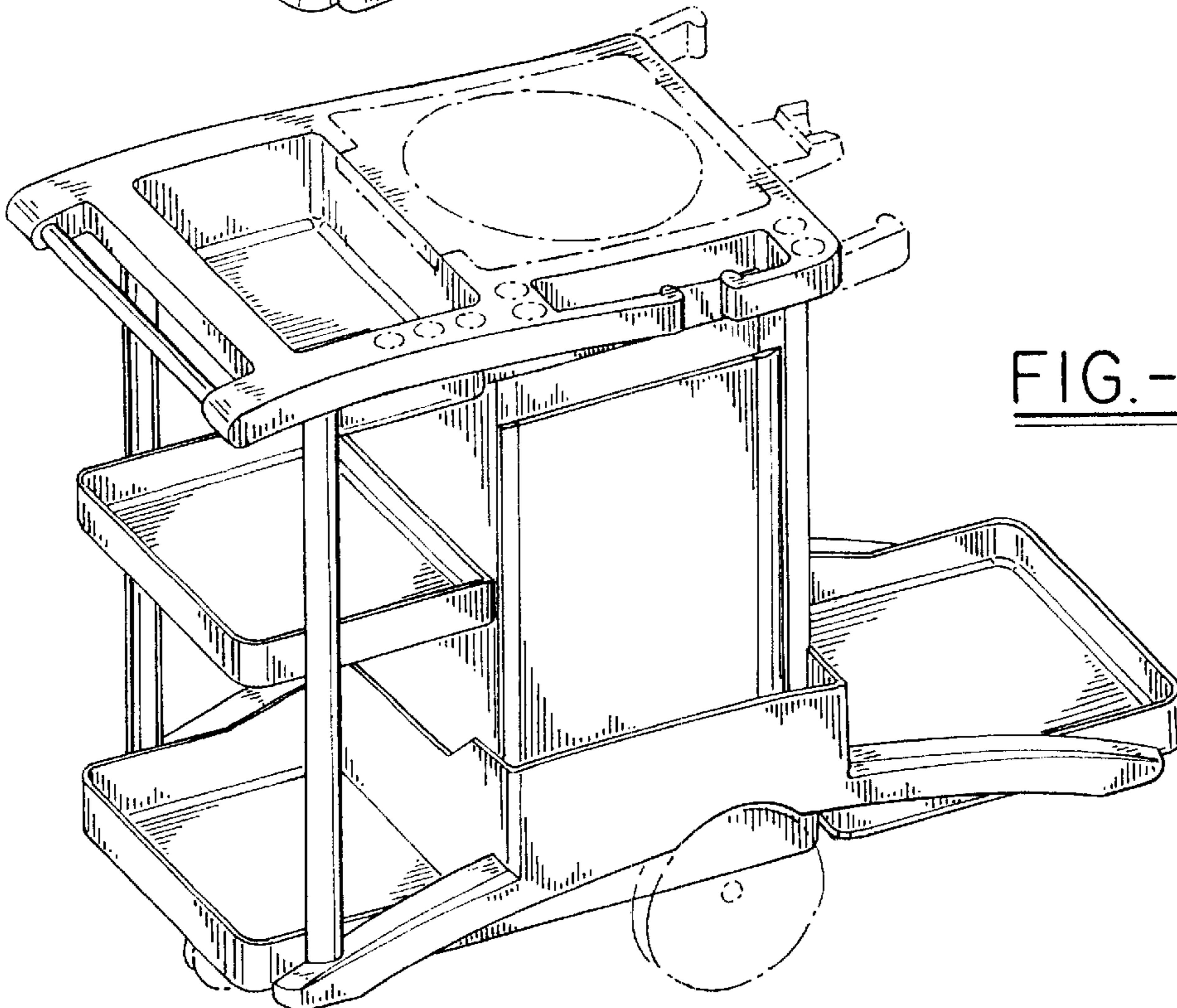


FIG.-2



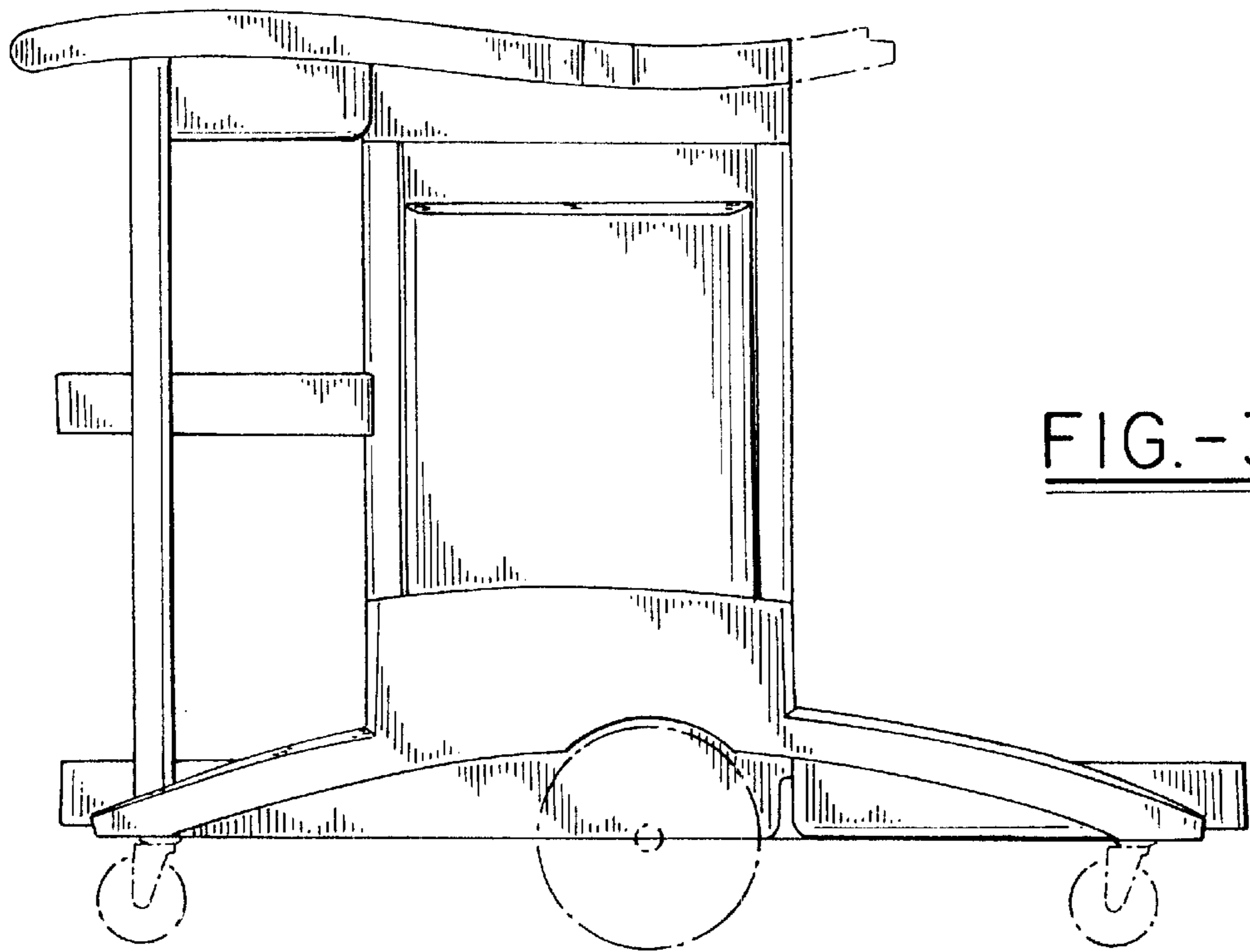


FIG.-3

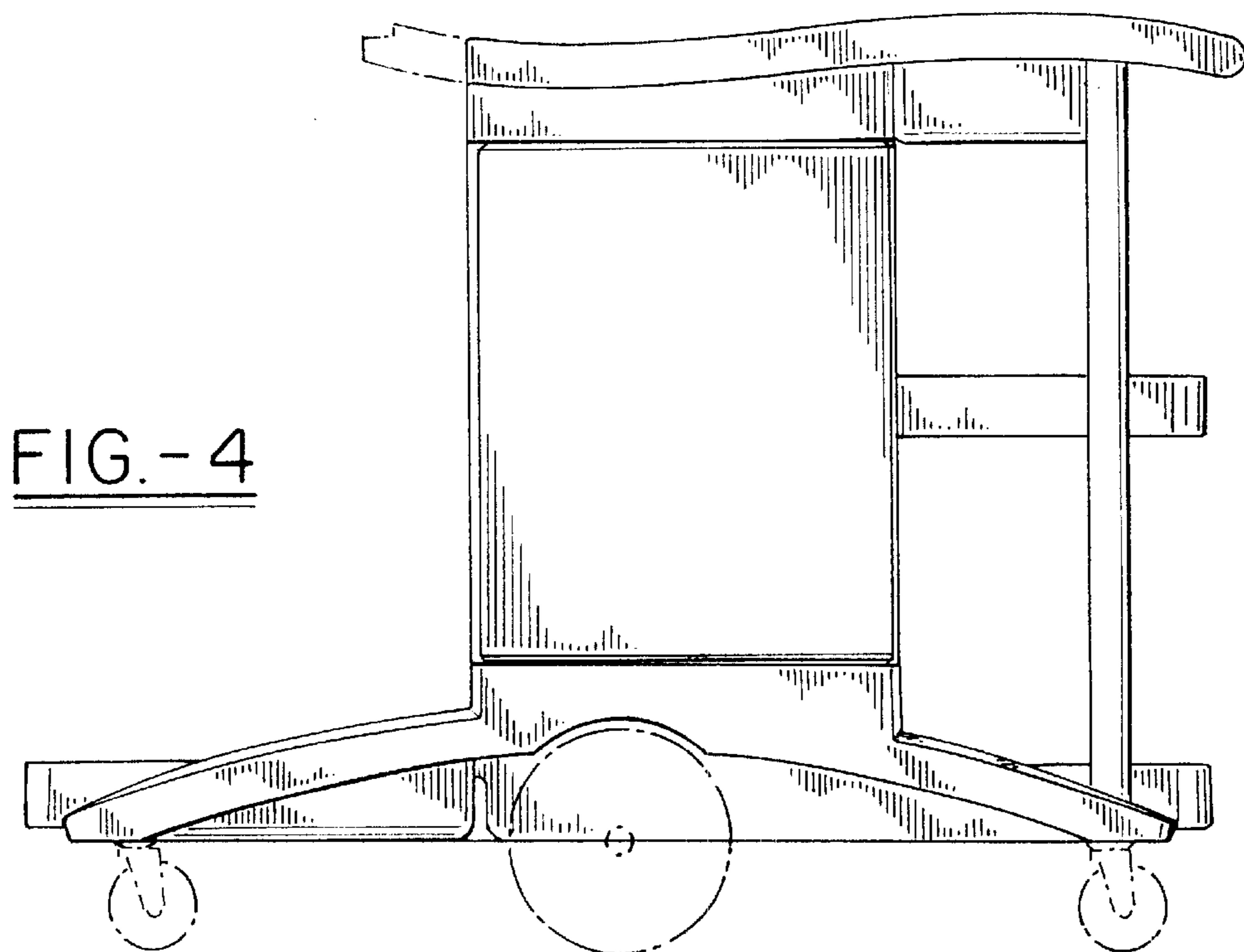


FIG.-4

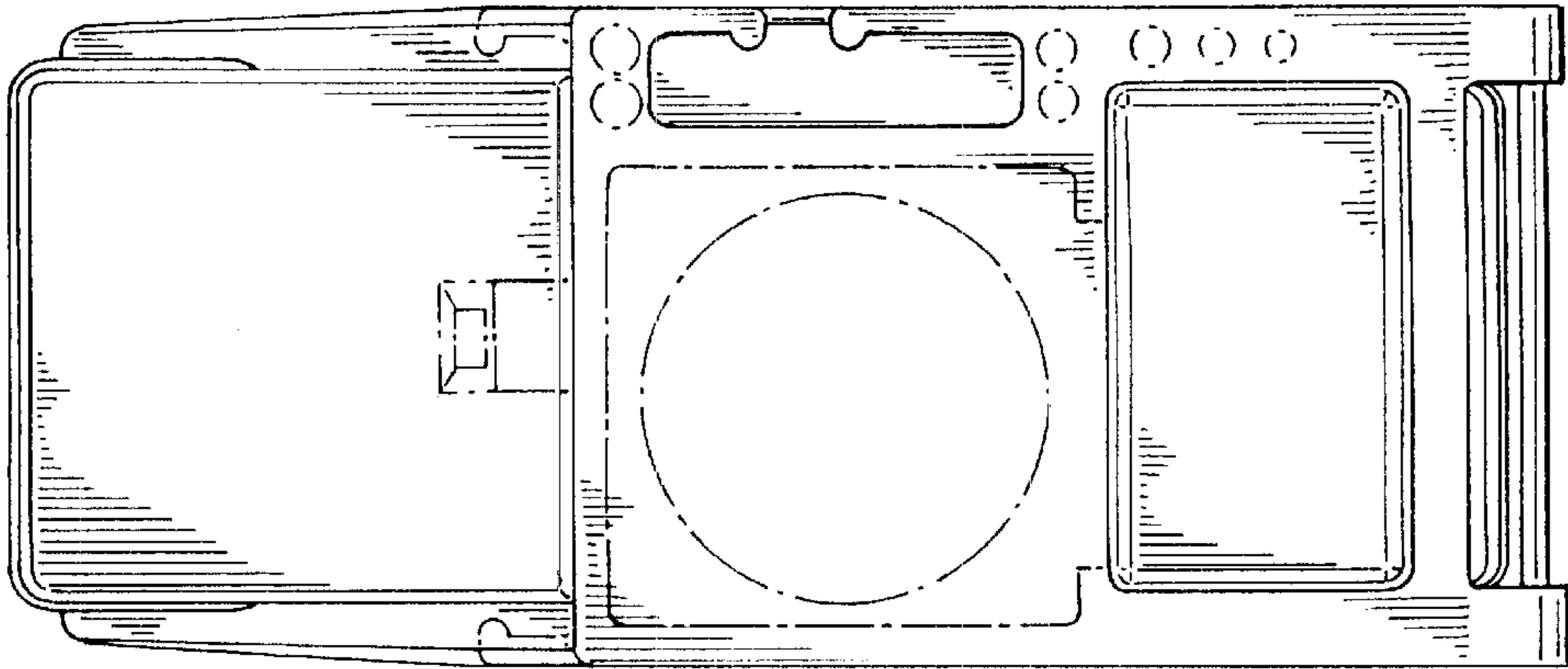


FIG.-5

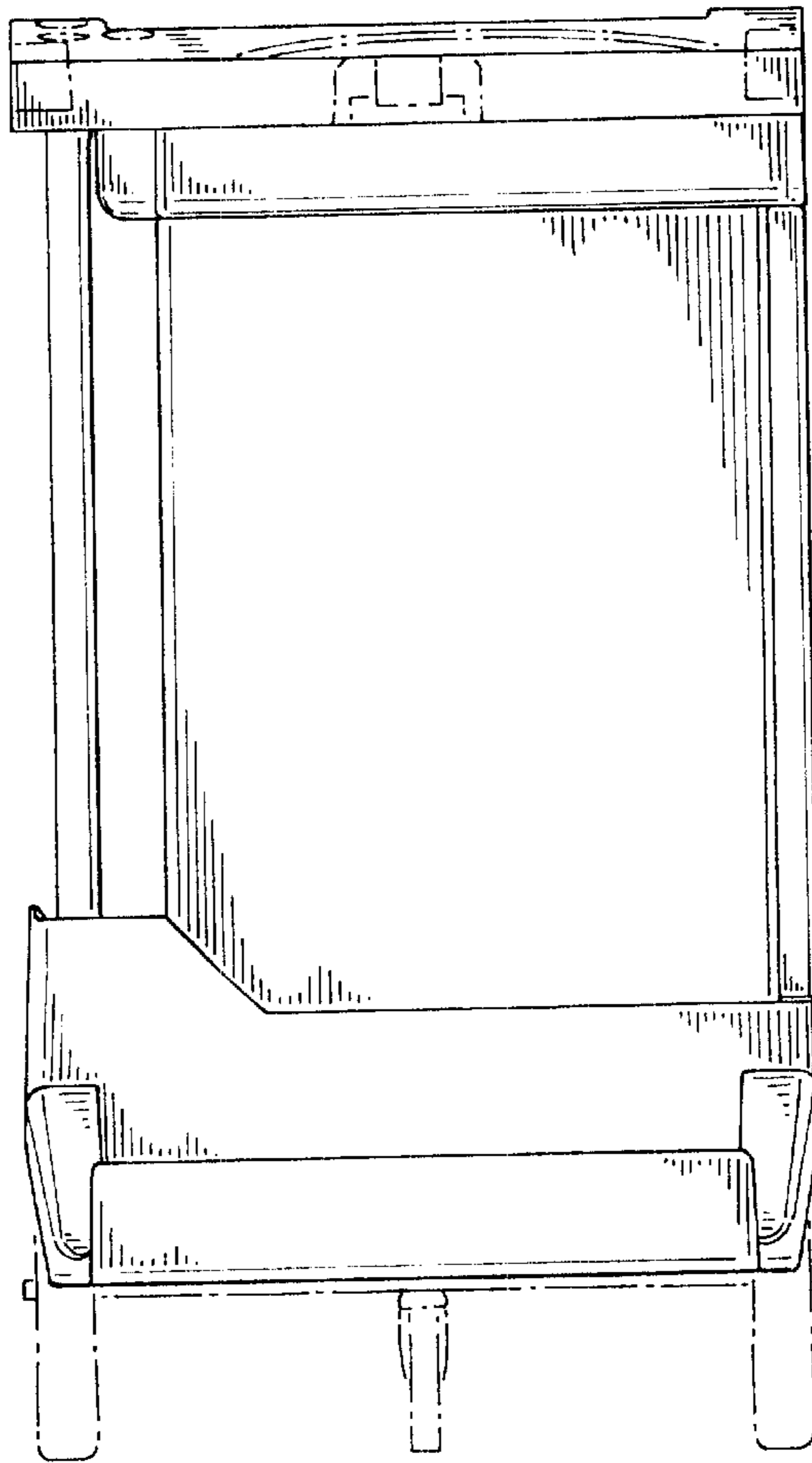


FIG.-6

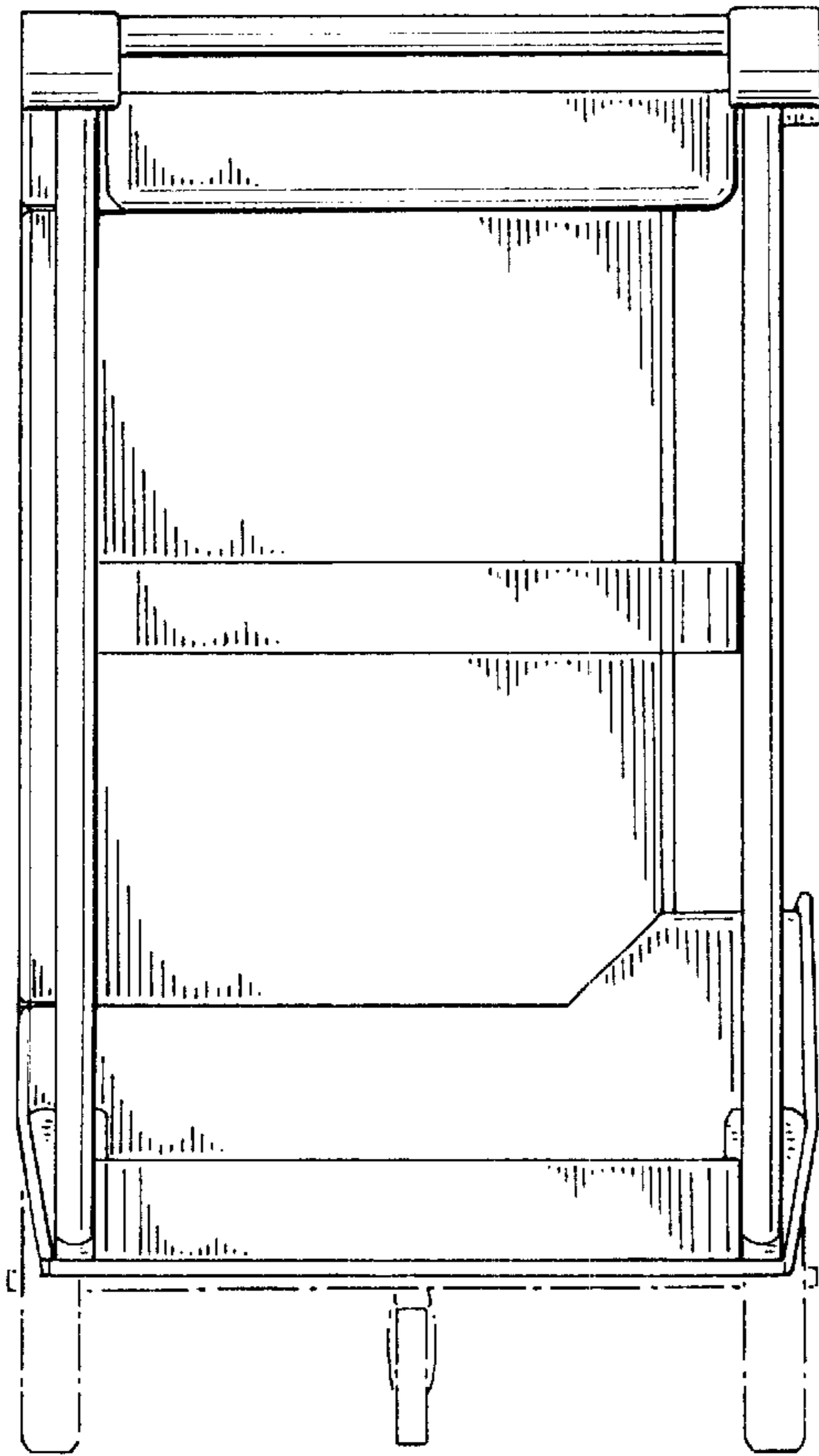


FIG. -7

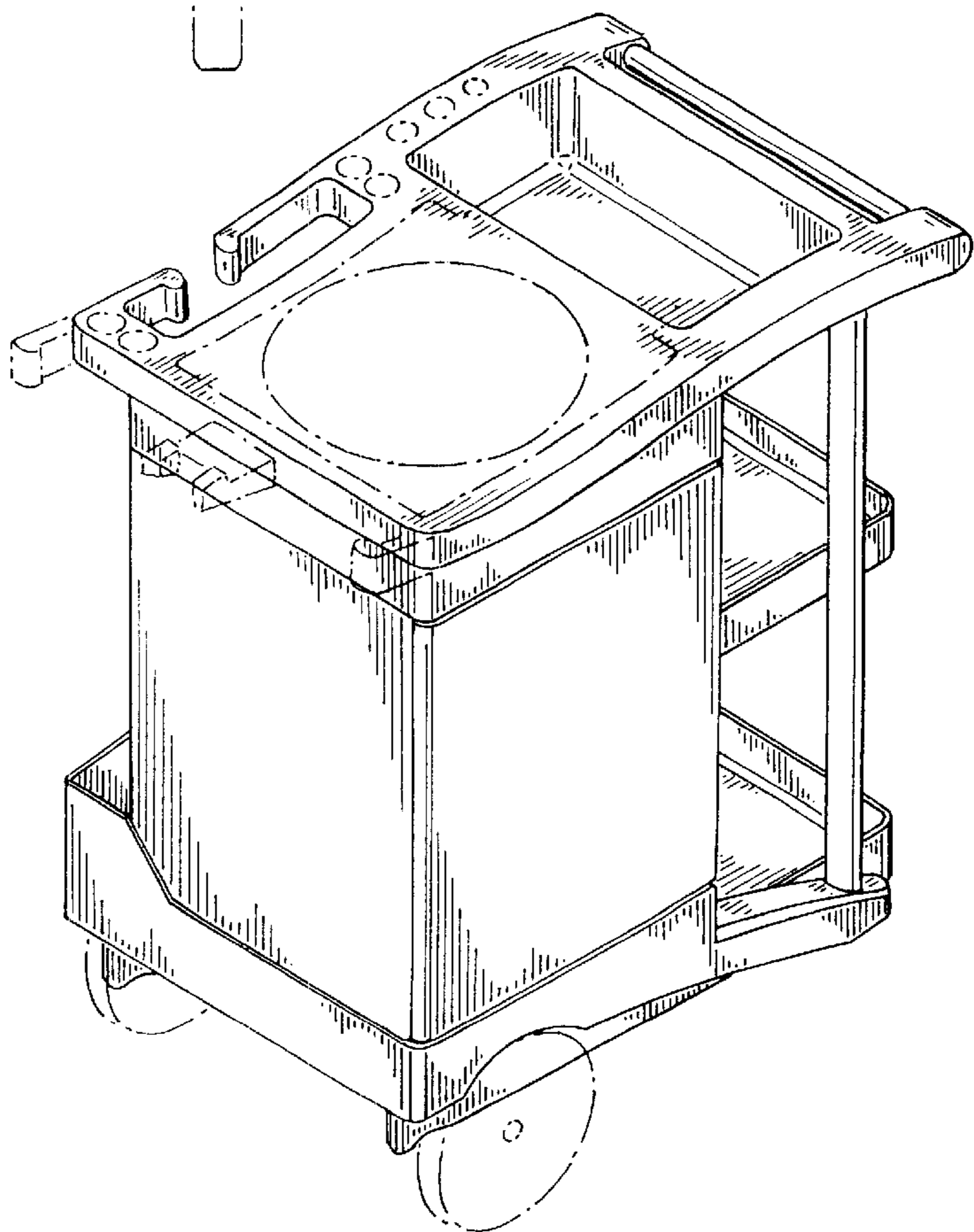


FIG. -8

FIG.-9

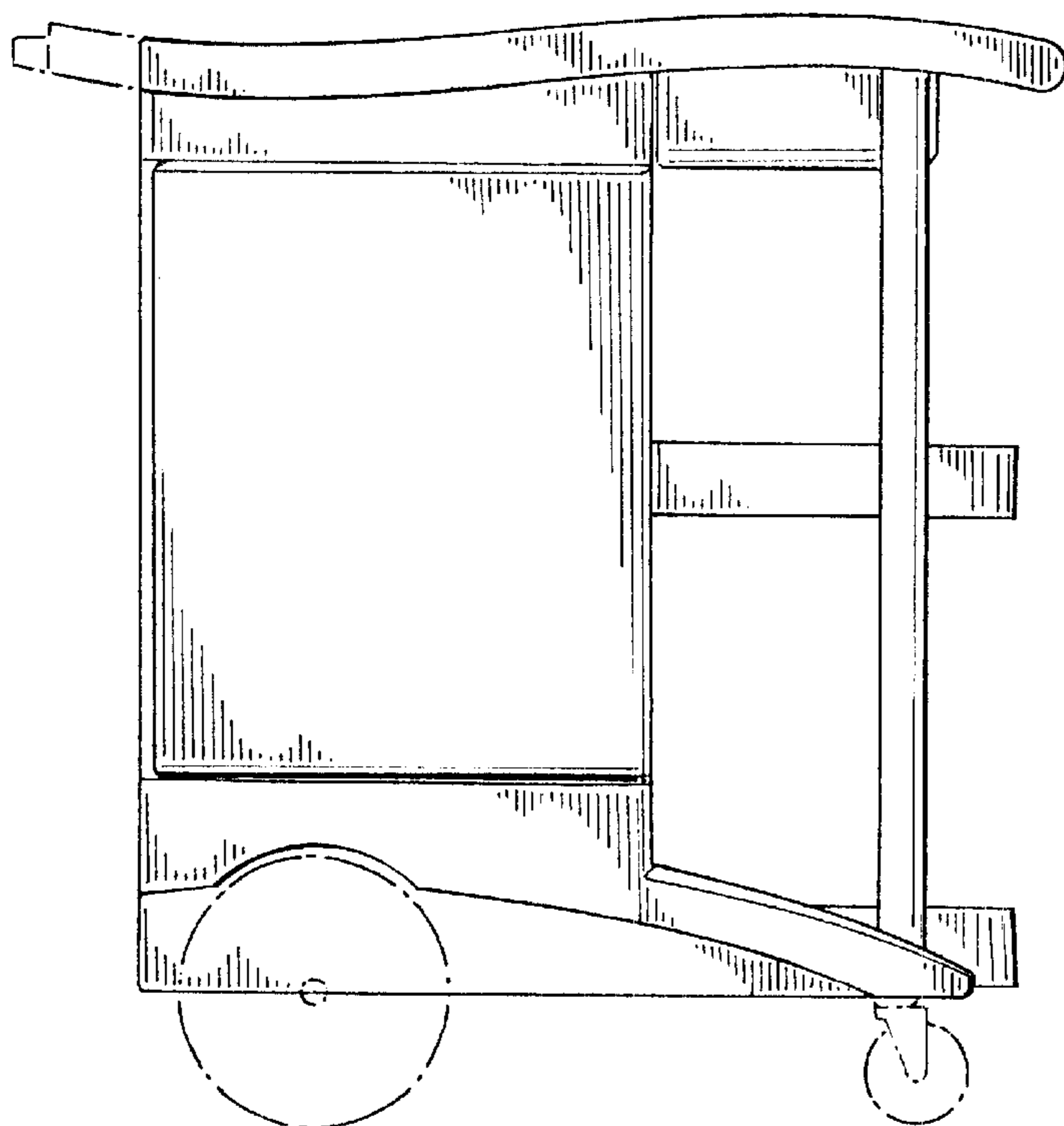
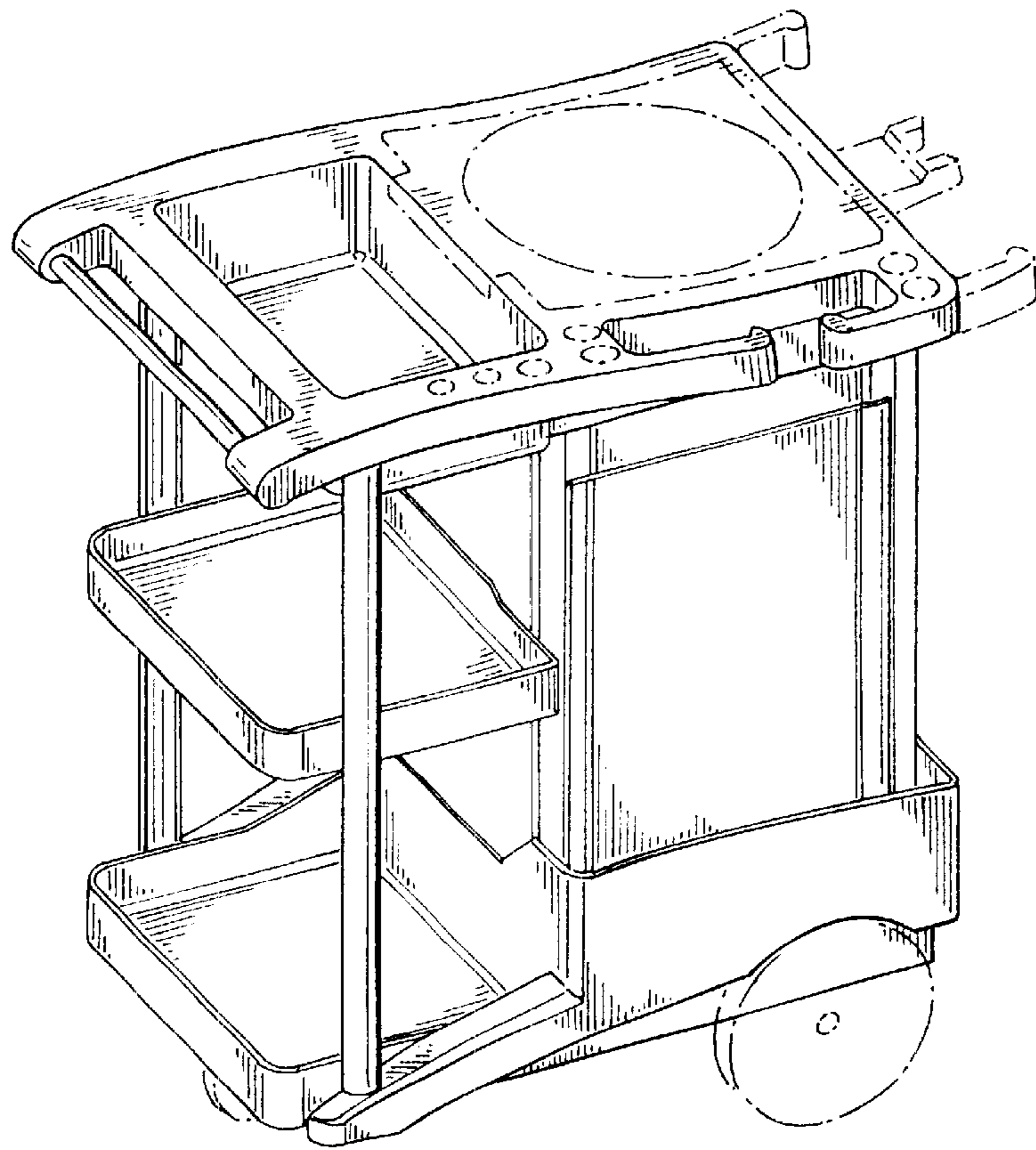


FIG.-10

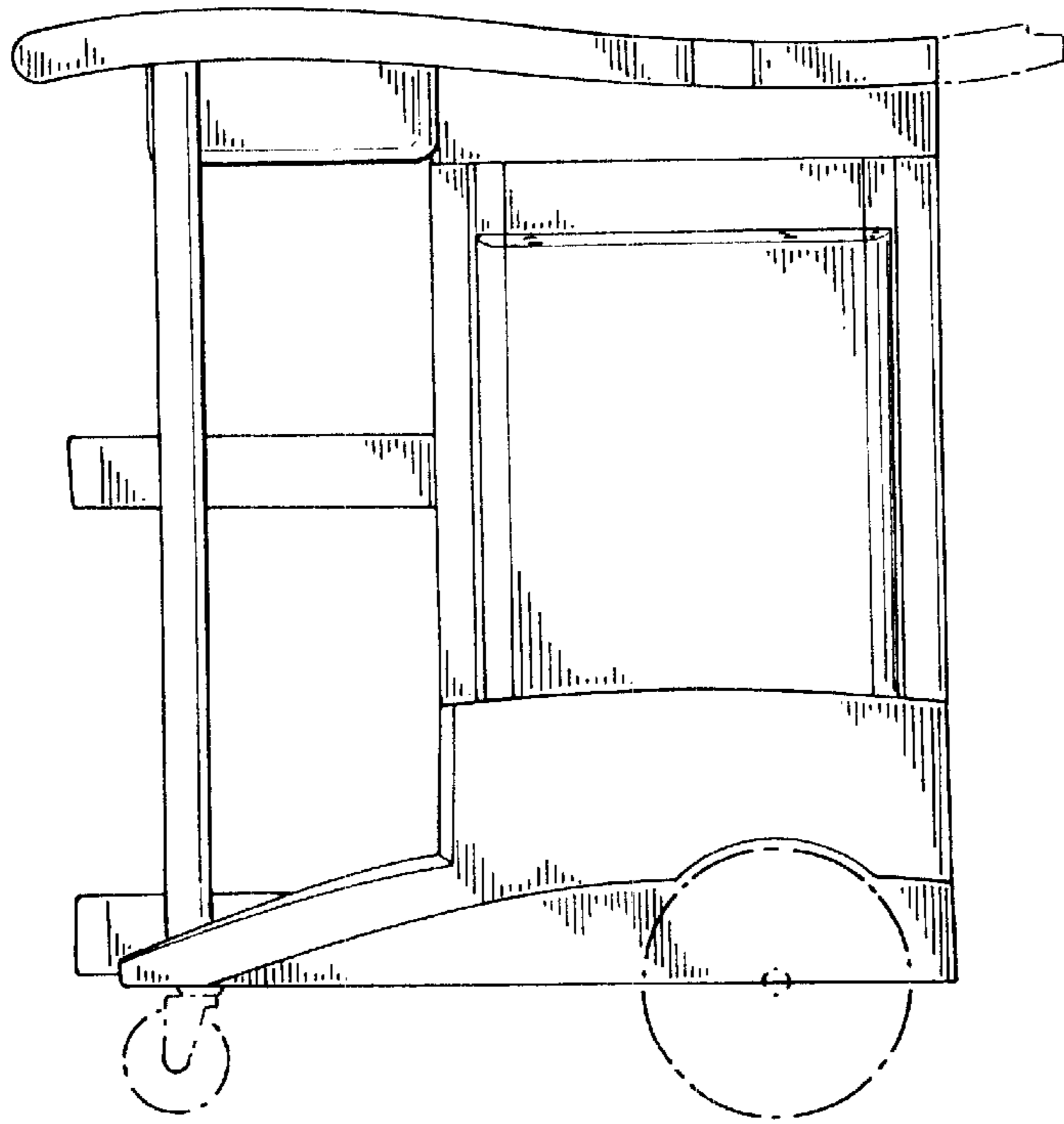


FIG.-11

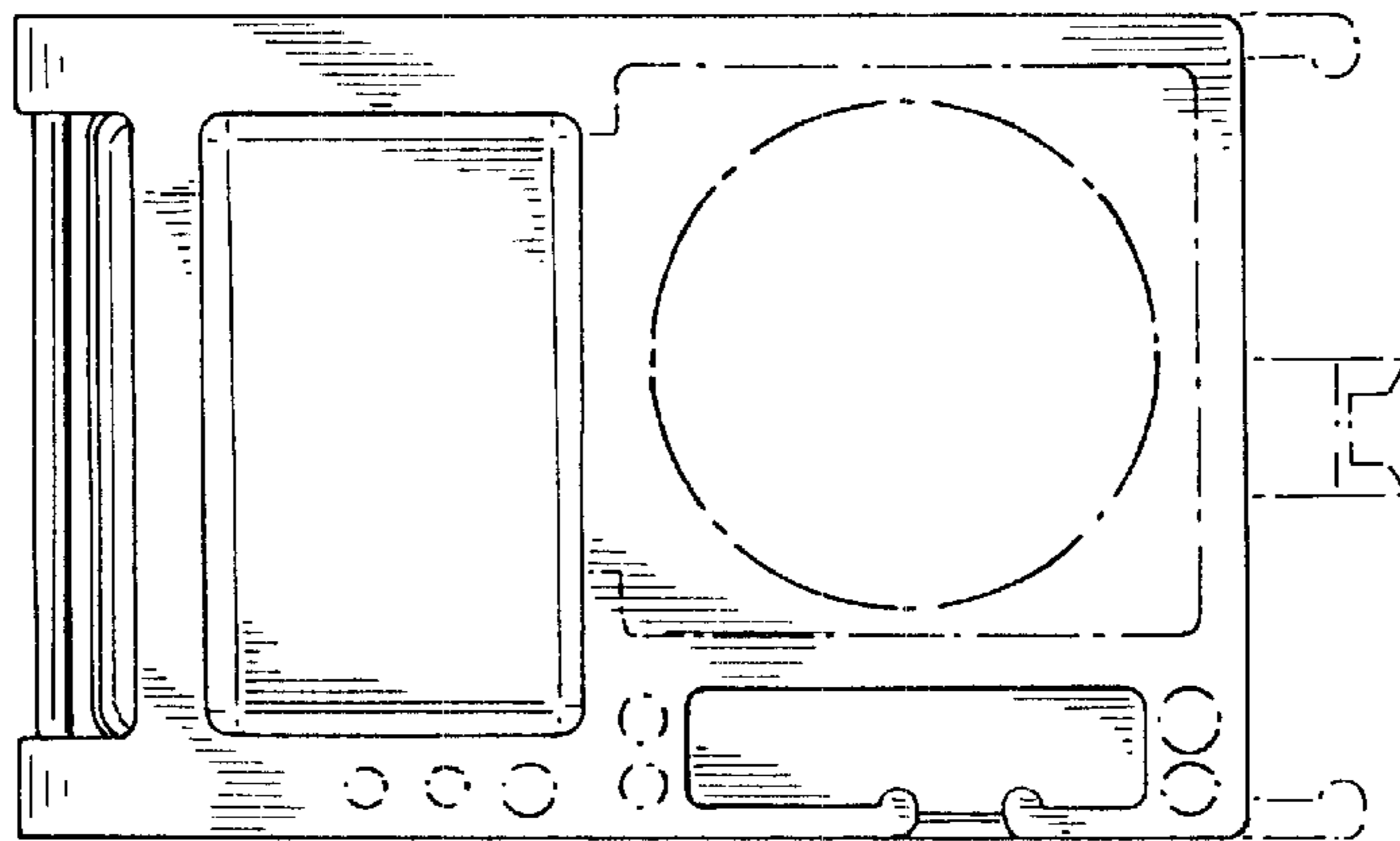


FIG.-12

FIG.-13

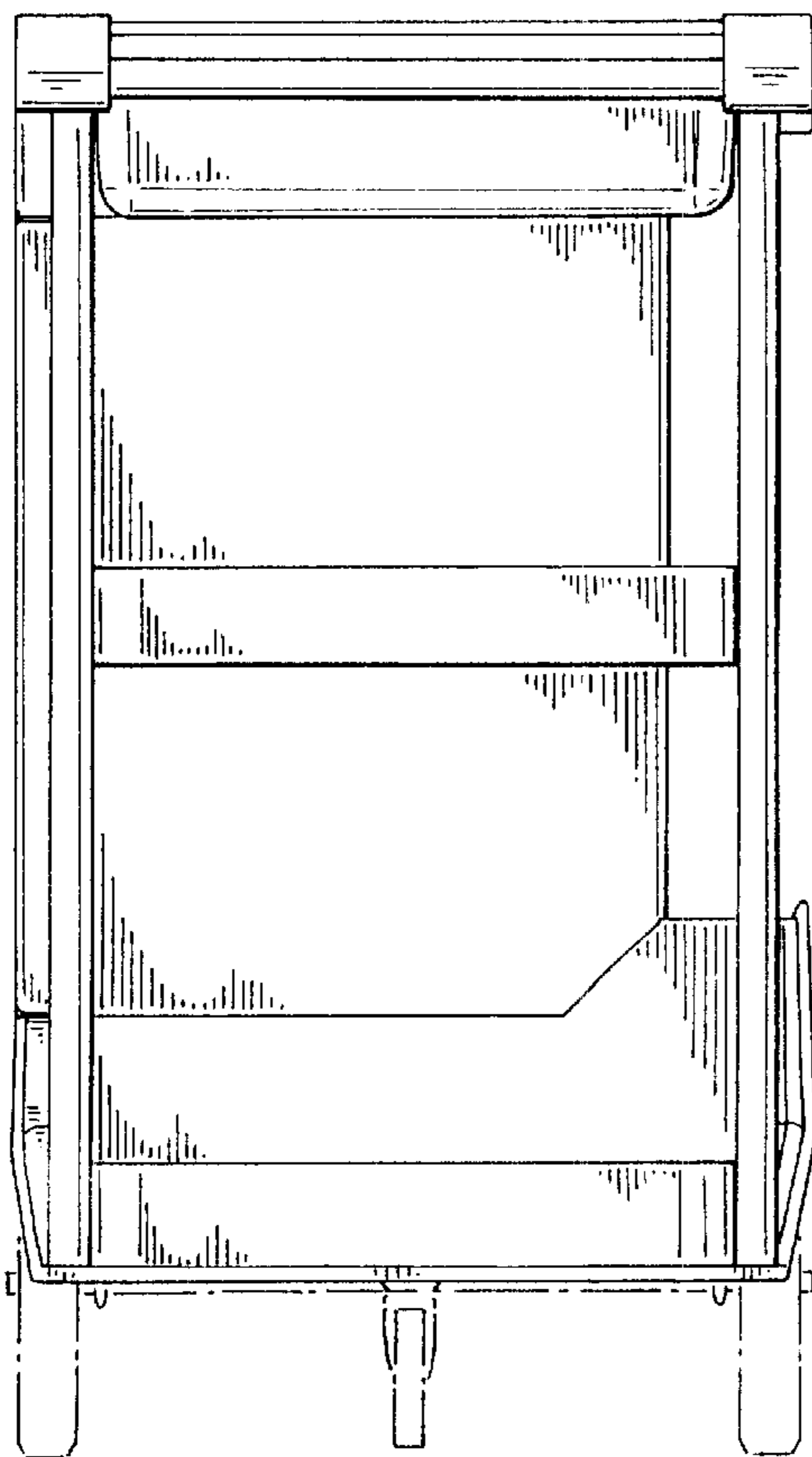
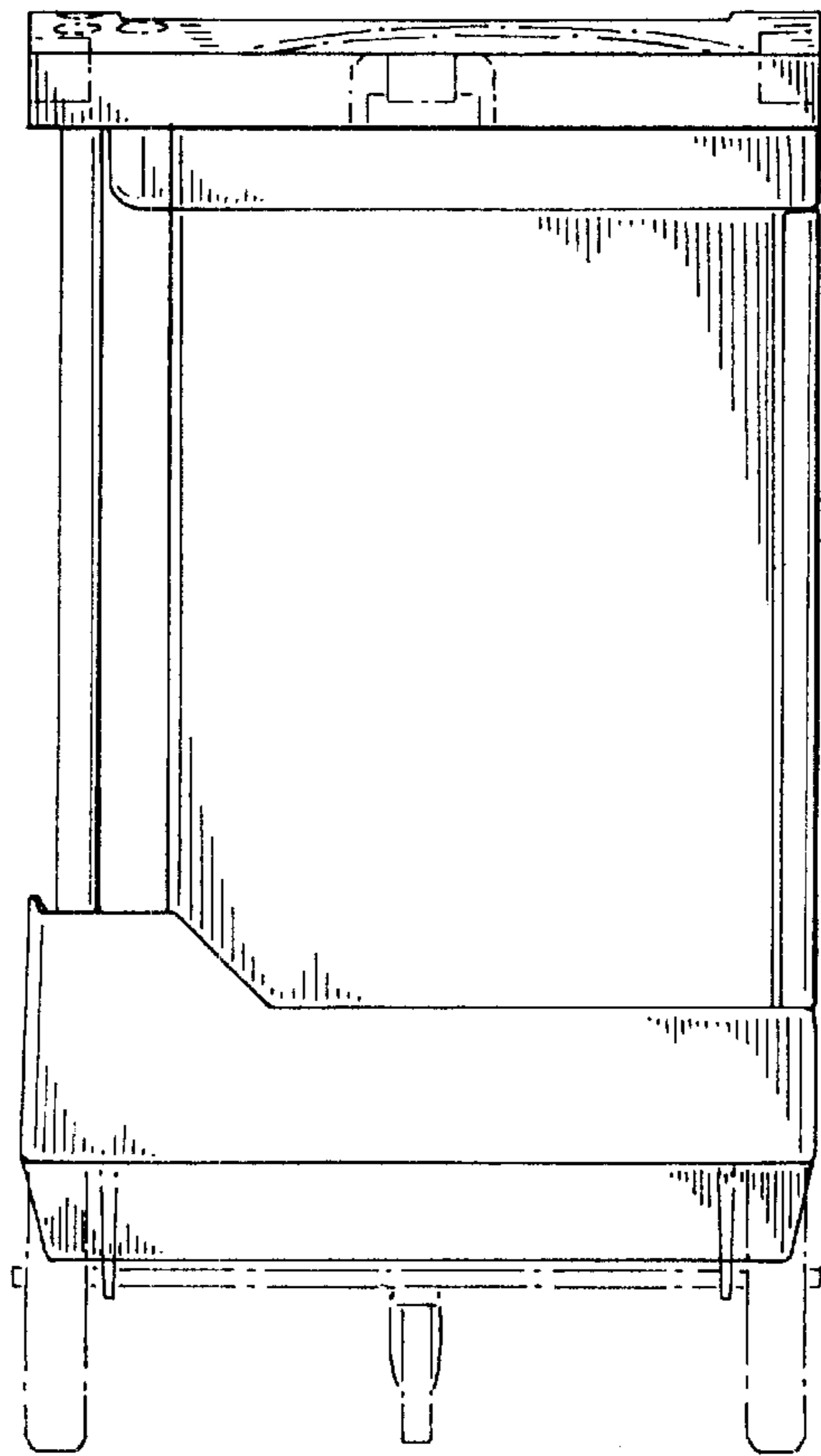


FIG.-14