



US00D469234S

(12) **United States Design Patent**  
**Bond et al.**

(10) **Patent No.:** **US D469,234 S**  
(45) **Date of Patent:** **\*\* Jan. 21, 2003**

(54) **SNOW CONE CART**

*Primary Examiner—Kay H. Chin*  
(74) *Attorney, Agent, or Firm—Marvin E. Jacobs*

(75) Inventors: **Gregg Bond**, Los Angeles, CA (US);  
**Barry Helman**, Malibu, CA (US);  
**Andrew Helman**, Ventura, CA (US)

(57) **CLAIM**

(73) Assignee: **The Helman Group, Ltd.**, Oxnard, CA (US)

The ornamental design for snow cone cart, as shown and described.

(\*\*) Term: **14 Years**

**DESCRIPTION**

(21) Appl. No.: **29/161,221**

FIG. 1 is an isometric view of the snow cone cart;  
FIG. 2 is a front view in elevation of the snow cone cart of FIG. 1;  
FIG. 3 is a right side view in elevation of the snow cone cart of FIG. 1;  
FIG. 4 is a left side view in elevation of the snow cone cart of FIG. 1;  
FIG. 5 is a rear view in elevation of the snow cone cart of FIG. 1;  
FIG. 6 is a top plan view in elevation of the snow cone cart of FIG. 1; and,  
FIG. 7 is a bottom plan view in elevation of the snow cone cart of FIG. 1.

(22) Filed: **May 23, 2002**

(51) **LOC (7) Cl.** ..... **12-02**

(52) **U.S. Cl.** ..... **D34/14; D34/25**

(58) **Field of Search** ..... D34/12-27; 296/22,  
296/24.1, 24.2; 280/47.35, 47.26, 79.11,  
79.3; D6/460, 404, 474, 481

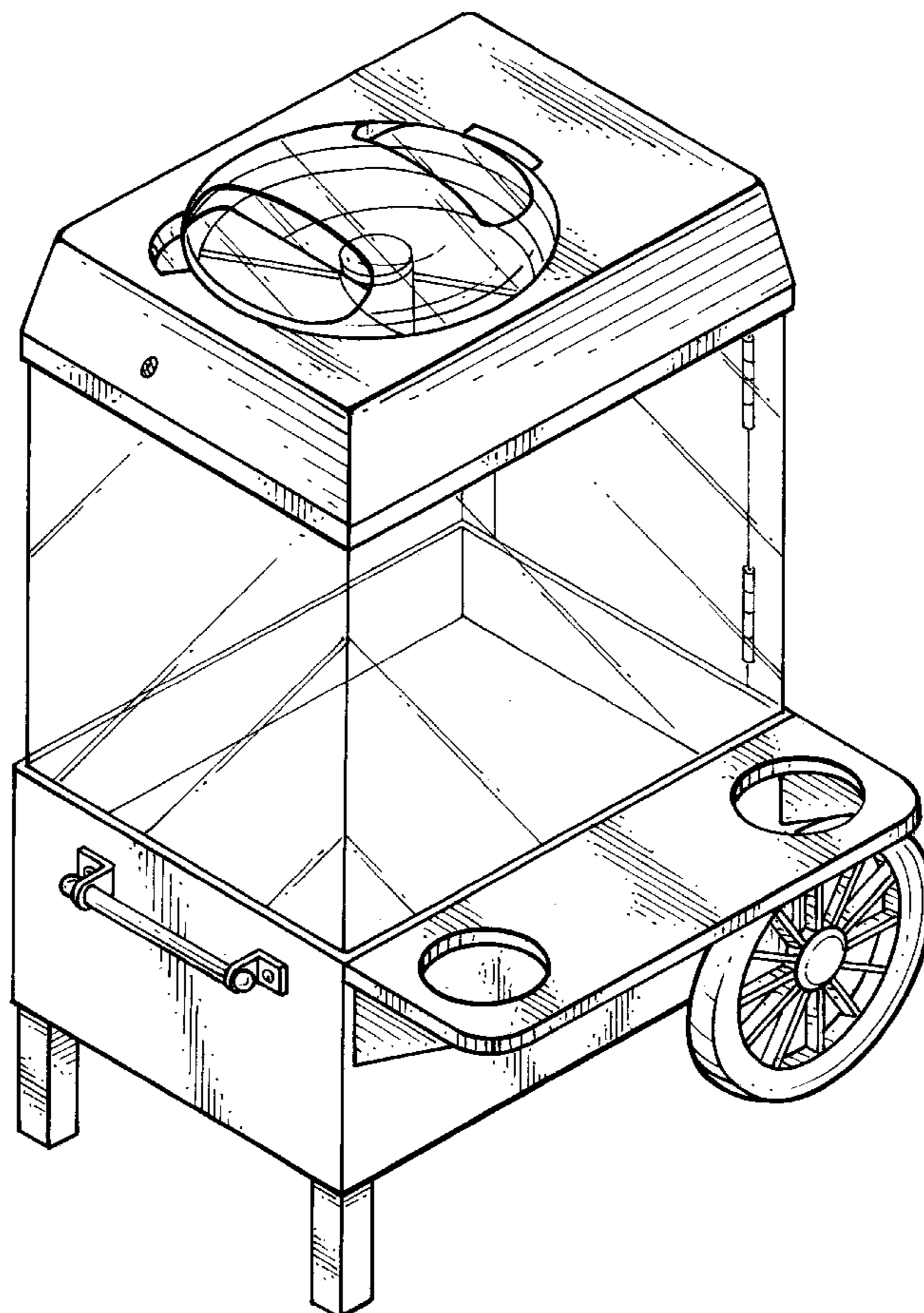
(56) **References Cited**

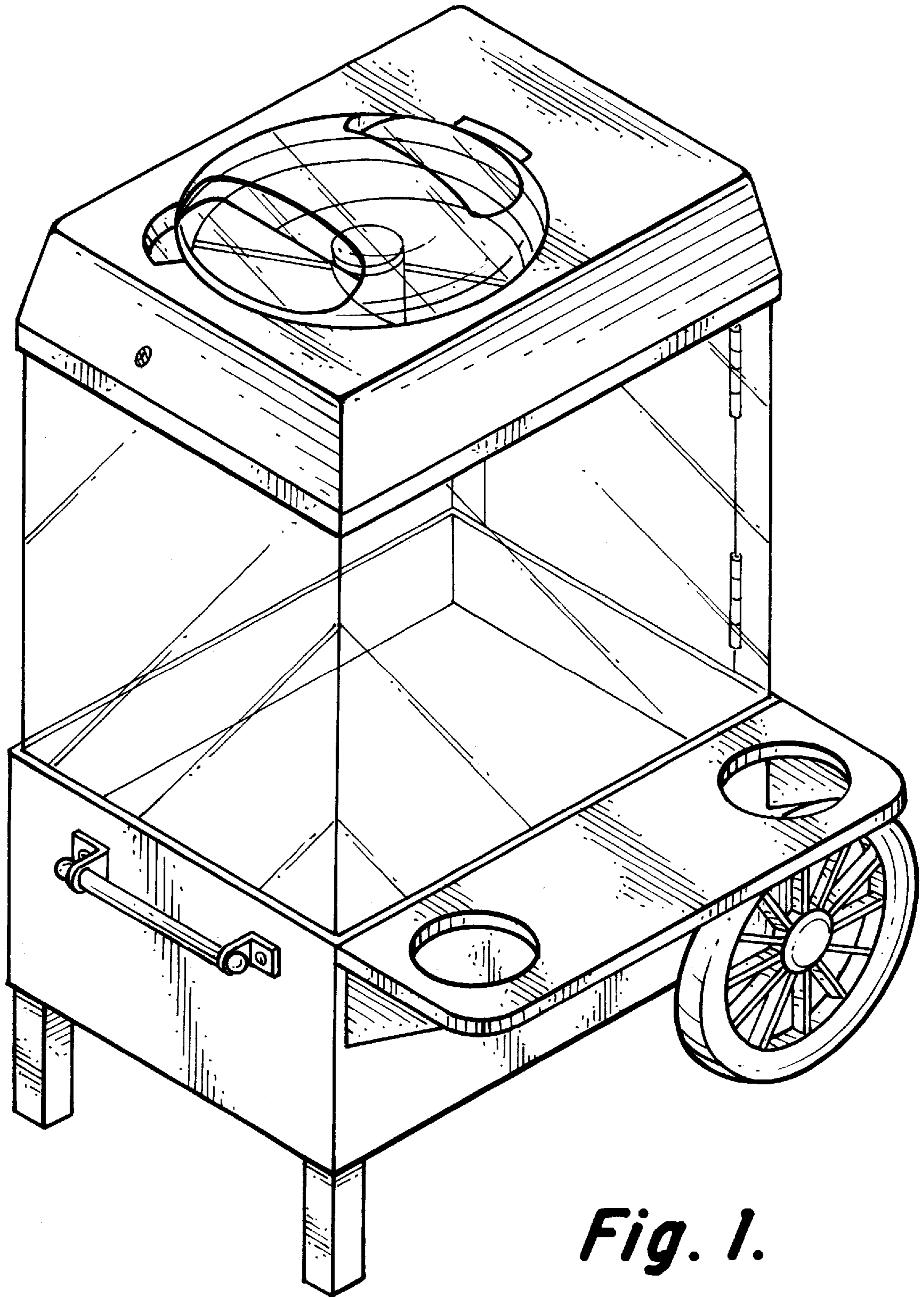
**U.S. PATENT DOCUMENTS**

D250,689 S	*	1/1979	Lee et al.	.....	D34/14
D294,534 S	*	3/1988	Hawthorn et al.	.....	D34/25
D460,846 S	*	7/2002	Helman et al.	.....	D34/14

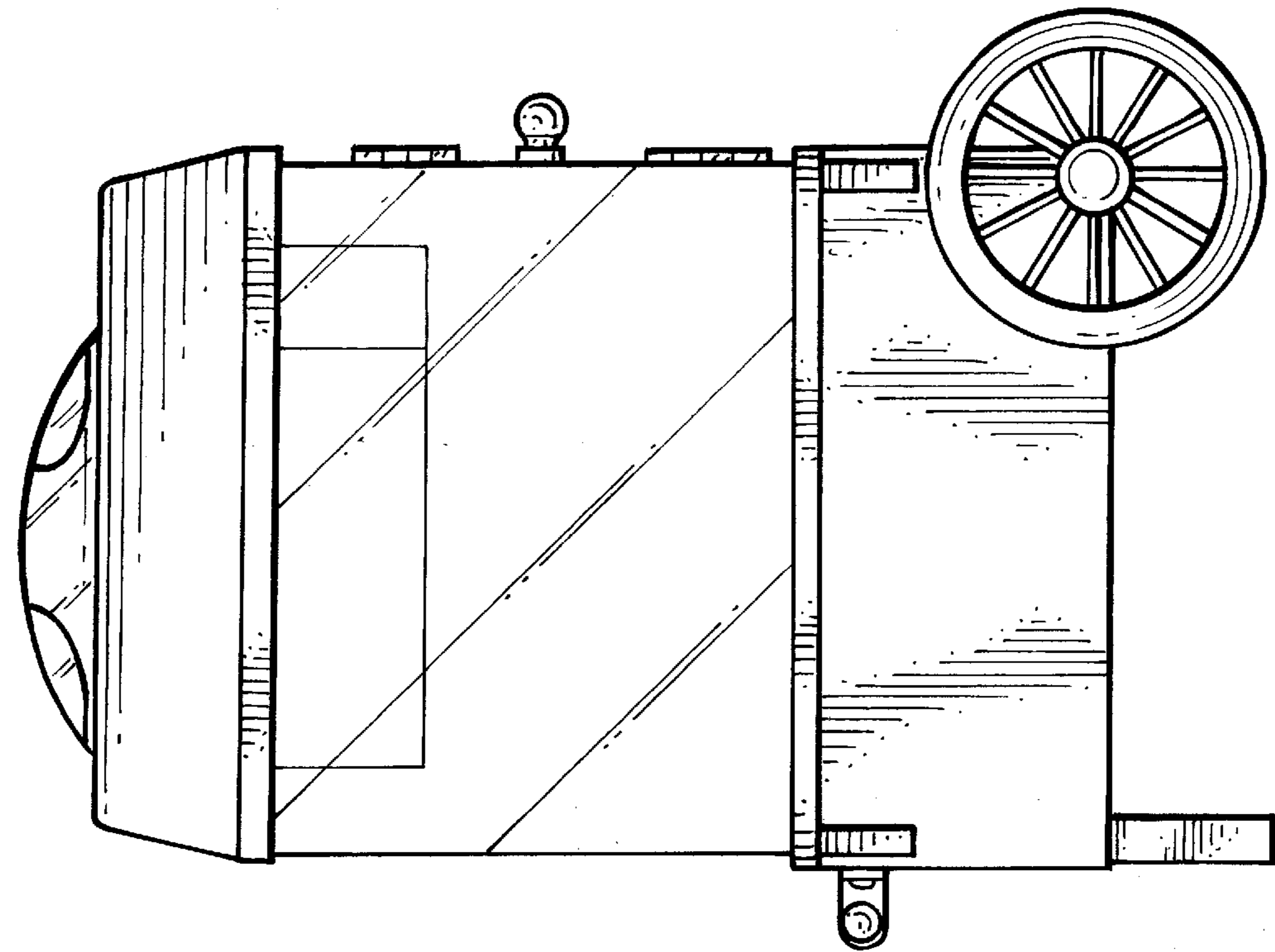
\* cited by examiner

**1 Claim, 4 Drawing Sheets**

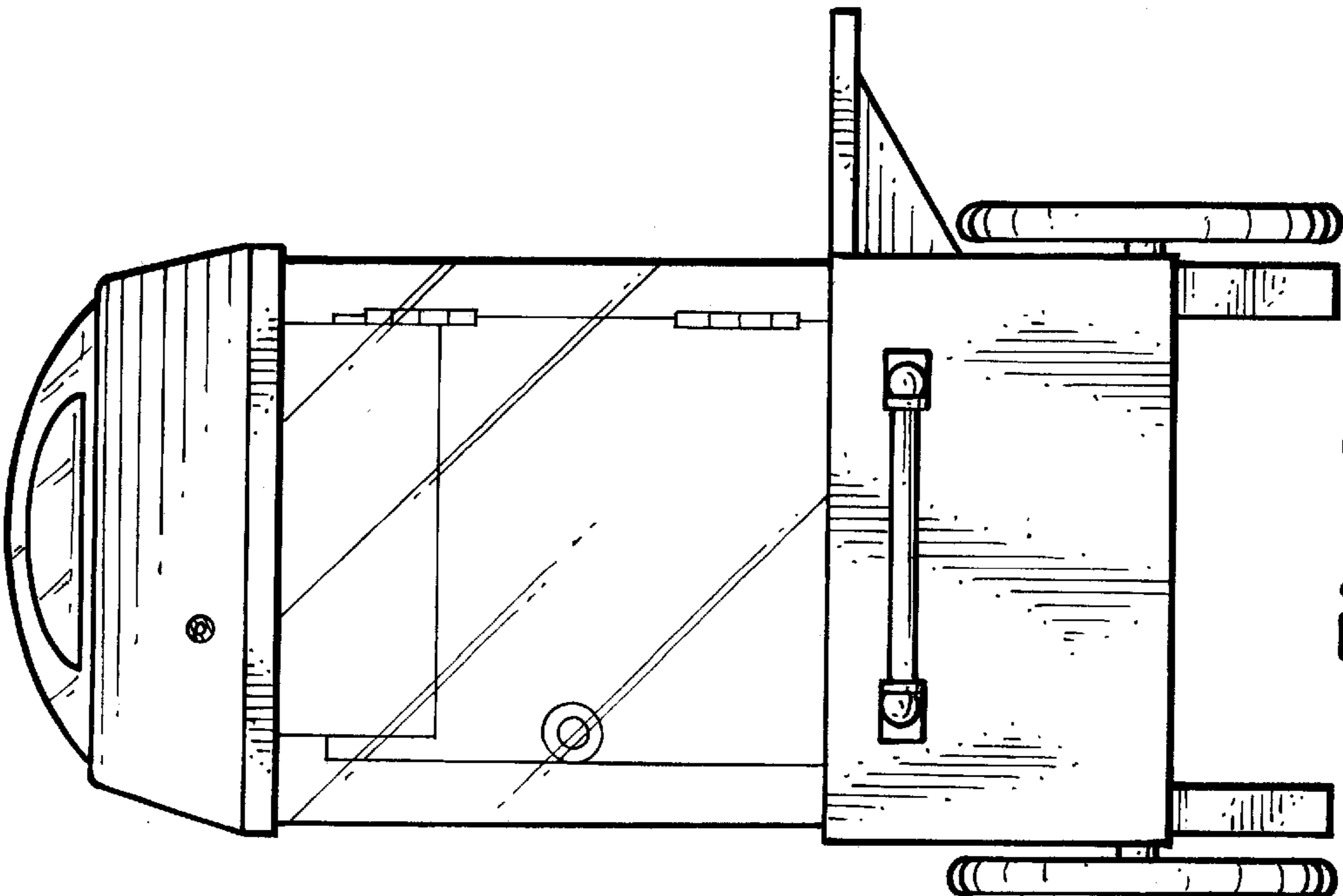




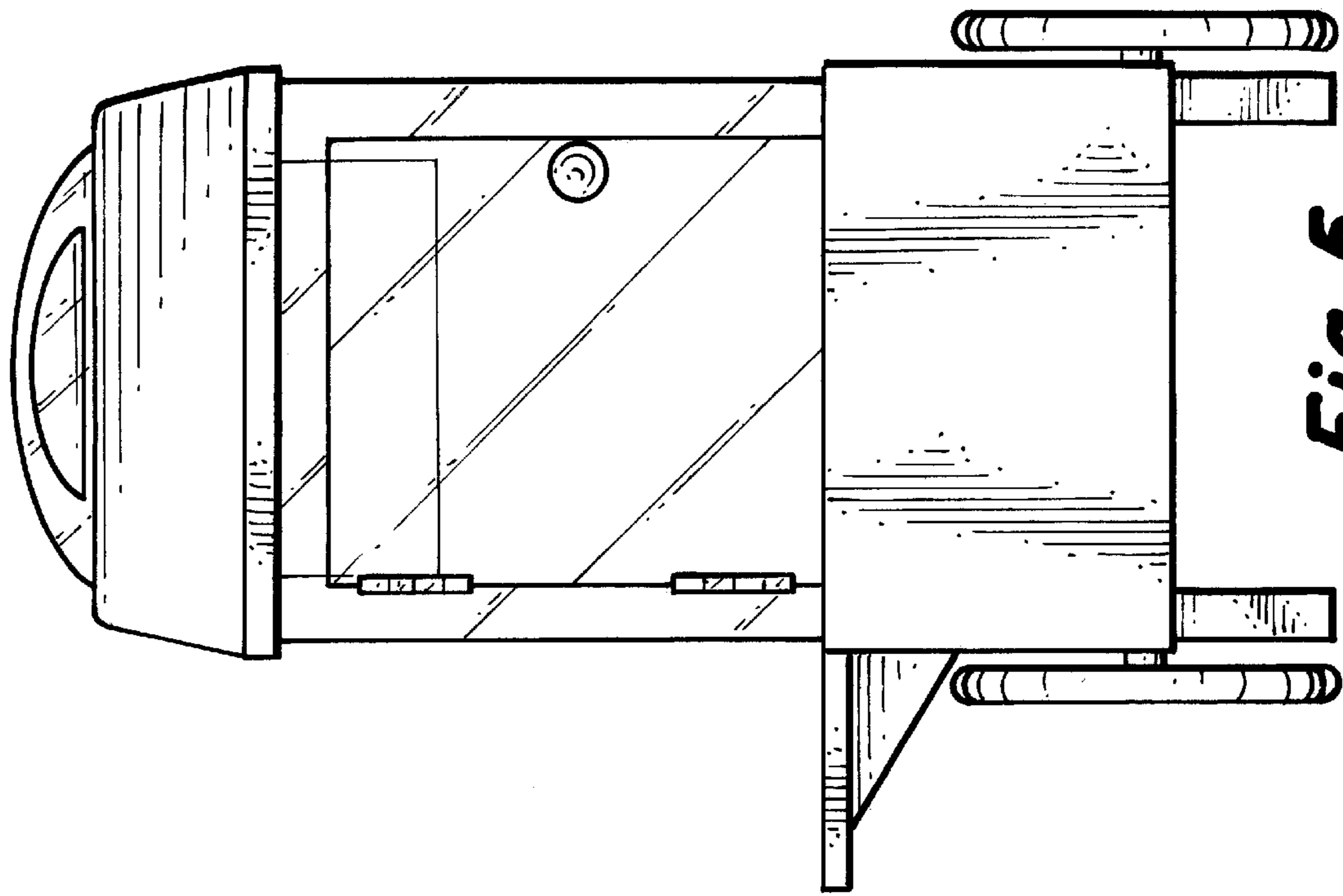
*Fig. 1.*



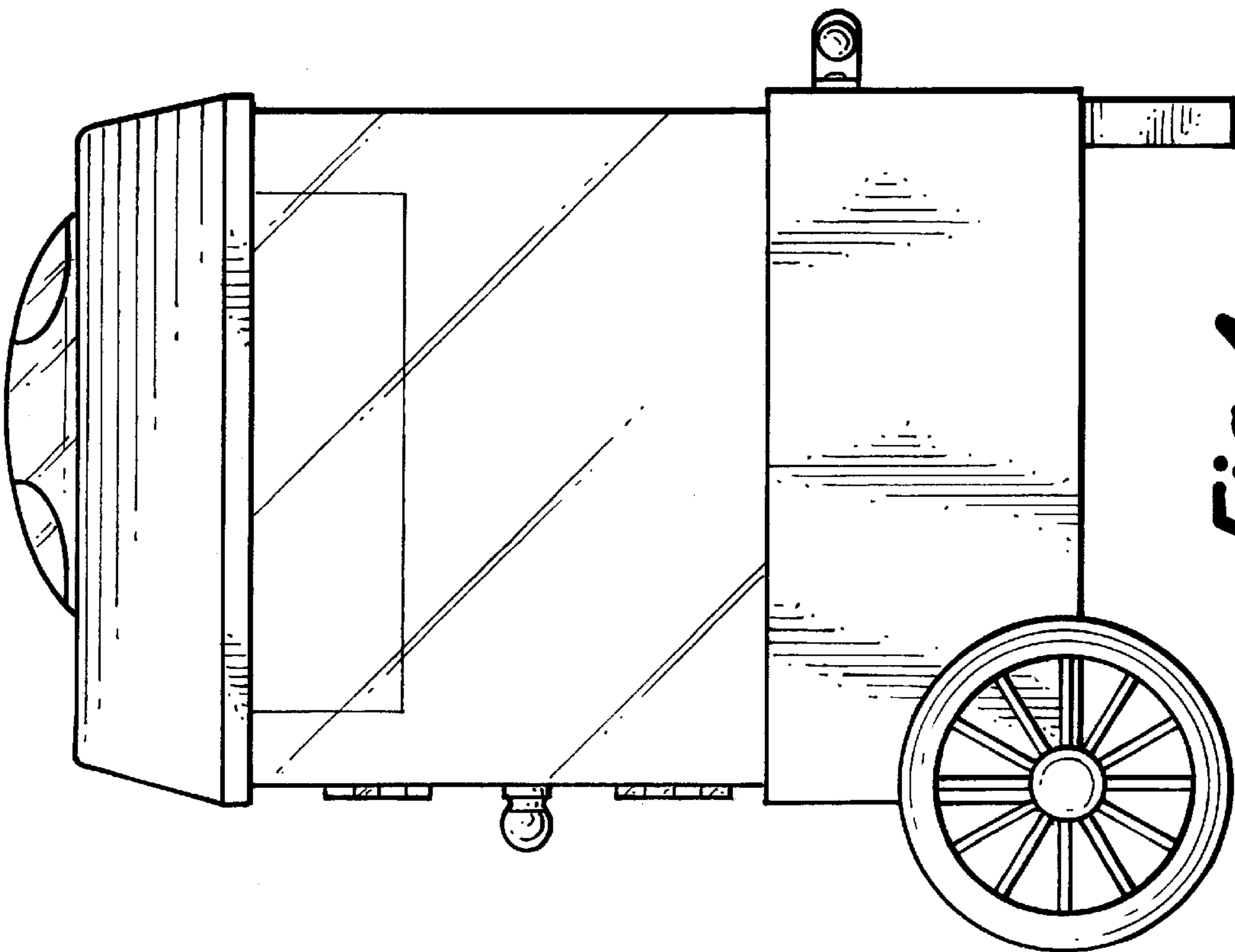
*Fig. 3.*



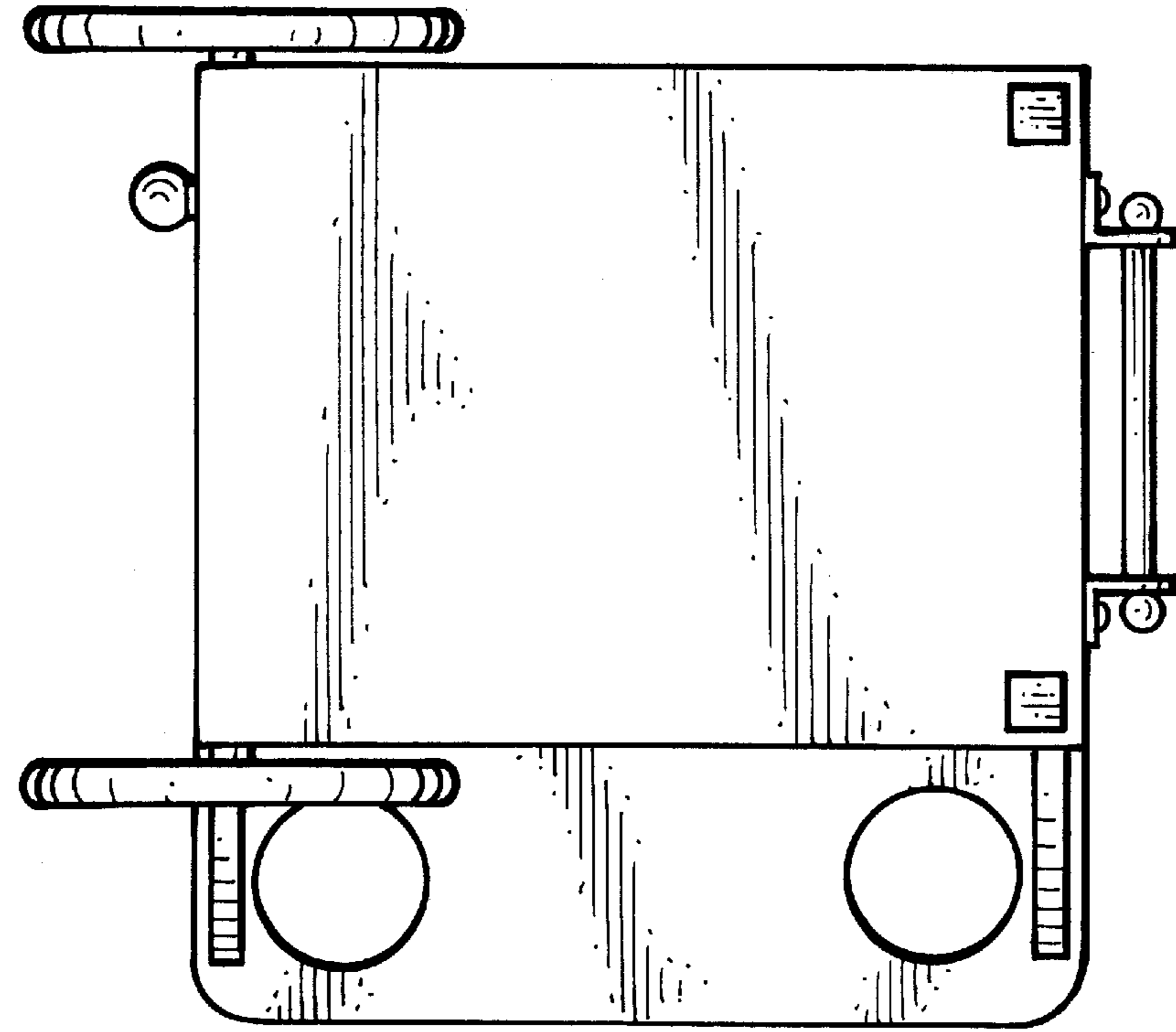
*Fig. 2.*



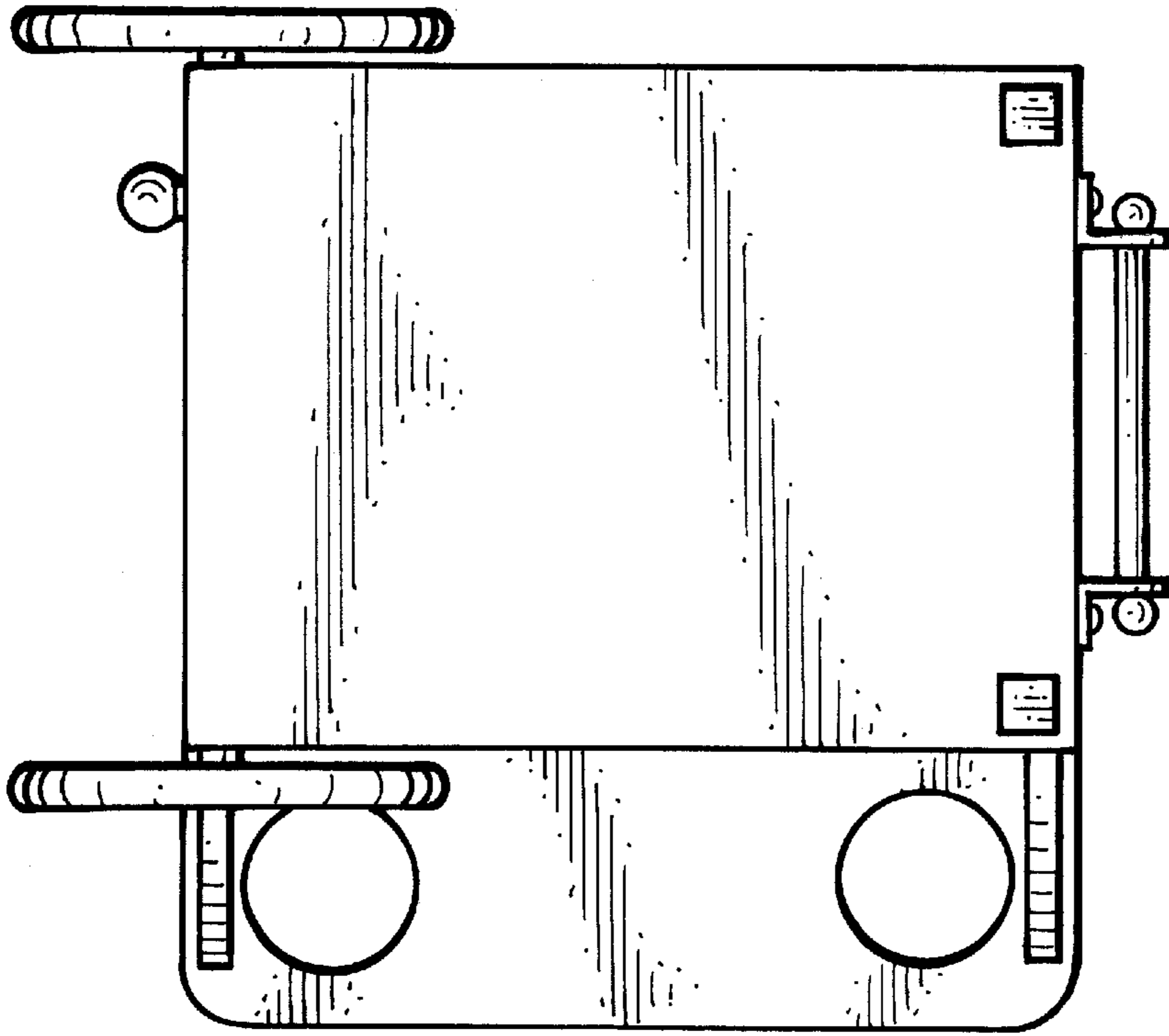
*Fig. 5.*



*Fig. 4.*



*Fig. 6.*



*Fig. 7.*