



US00D469233S

(12) **United States Design Patent**
Begnani

(10) **Patent No.:** **US D469,233 S**

(45) **Date of Patent:** **** Jan. 21, 2003**

(54) **BUCKET**

(76) **Inventor:** **Edson Donizetti Begnani**, Rua Jamil Gebara, 1-25 VL. Mariana-Bauru- SP 17045-150 (BR)

(**) **Term:** **14 Years**

(21) **Appl. No.:** **29/143,323**

(22) **Filed:** **Jun. 12, 2001**

(30) **Foreign Application Priority Data**

Dec. 12, 2000 (BR) DI 6003298

(51) **LOC (7) Cl.** **07-07**

(52) **U.S. Cl.** **D32/53**

(58) **Field of Search** D32/53, 53.1; 15/257.05, 264; 206/505-507, 515, 519, 520; 220/657, 659, 904, DIG. 12, DIG. 14, 600, 604, 608, 623, 669, 675, 755, 760-763, 769, 773; D7/603; D21/472

(56) **References Cited**

U.S. PATENT DOCUMENTS

123,648 A * 2/1872 Stratton 220/762
D222,892 S * 1/1972 Gunfaus D32/53
D348,129 S * 6/1994 Wolff D32/53

D353,241 S * 12/1994 Breen D32/53
D368,347 S * 3/1996 Kruger D32/53
D386,860 S * 11/1997 Breen D32/53
D417,326 S * 11/1999 Greene D32/53

* cited by examiner

Primary Examiner—Alan P. Douglas

Assistant Examiner—Lavone Tabor

(74) *Attorney, Agent, or Firm*—Ostrolenk, Faber, Gerb & Soffen, LLP

(57) **CLAIM**

The ornamental design for a bucket, as shown and described.

DESCRIPTION

FIG. 1 is a front, top, perspective view of a bucket showing my new design;

FIG. 2 is a rear, top, perspective view thereof;

FIG. 3 is a bottom perspective view thereof with the handle being omitted for ease of illustration;

FIG. 4 is a top view with the handle shown in the non-use position;

FIG. 5 is a front view of FIG. 4;

FIG. 6 is a side view of FIG. 4, the opposite side being a mirror image; and,

FIG. 7 is a rear view of FIG. 4.

1 Claim, 4 Drawing Sheets

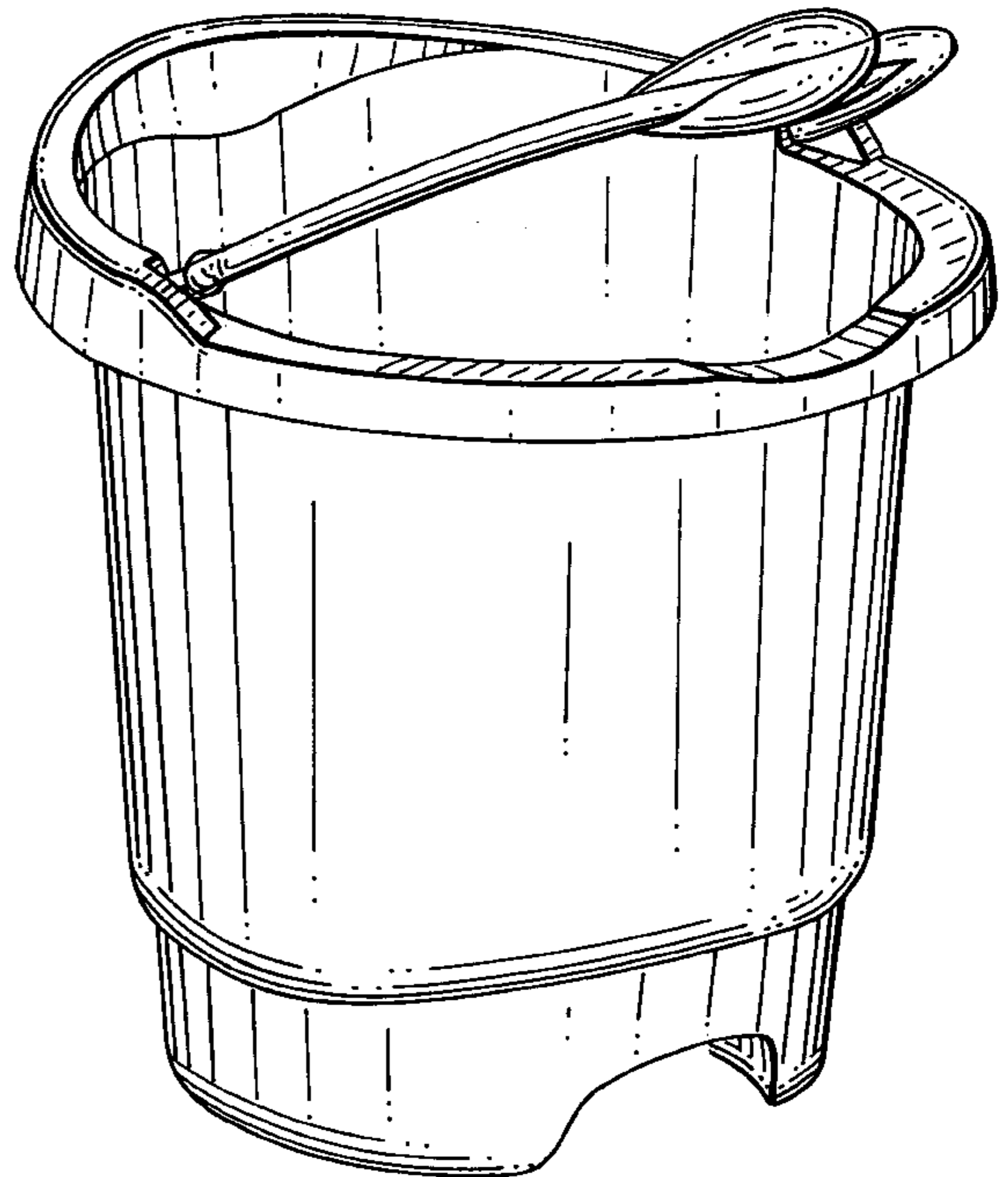
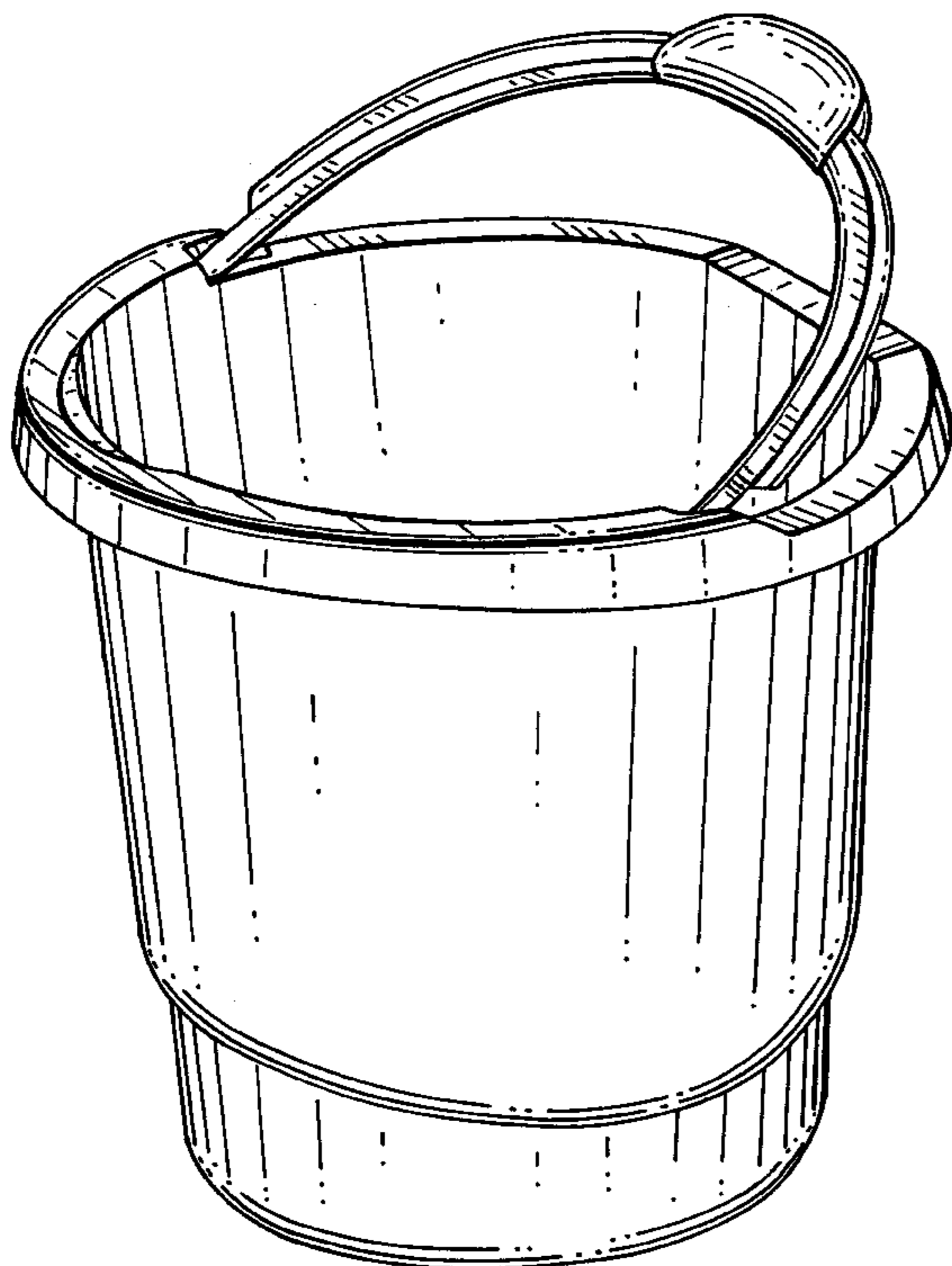


FIG. 2

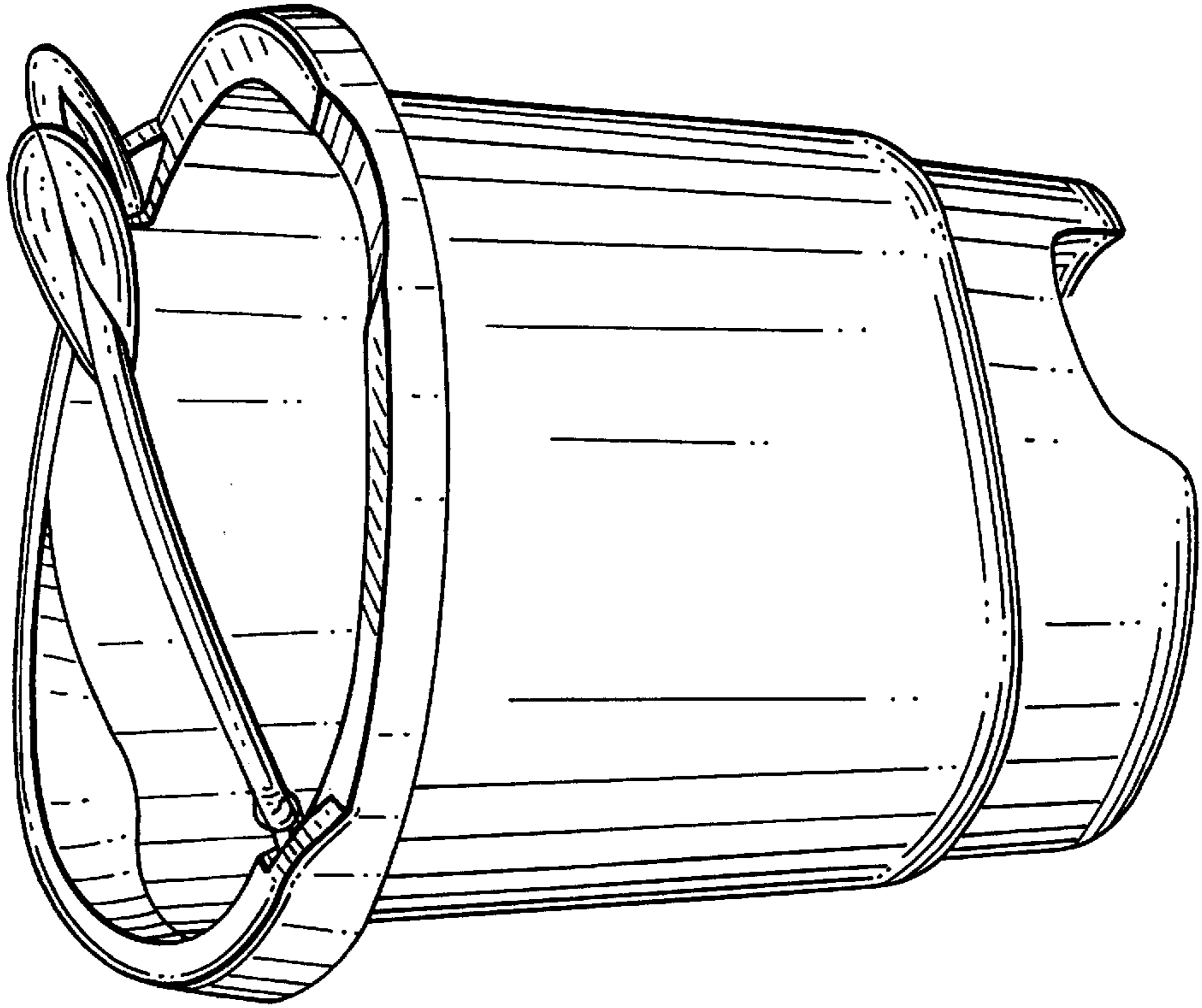


FIG. 1

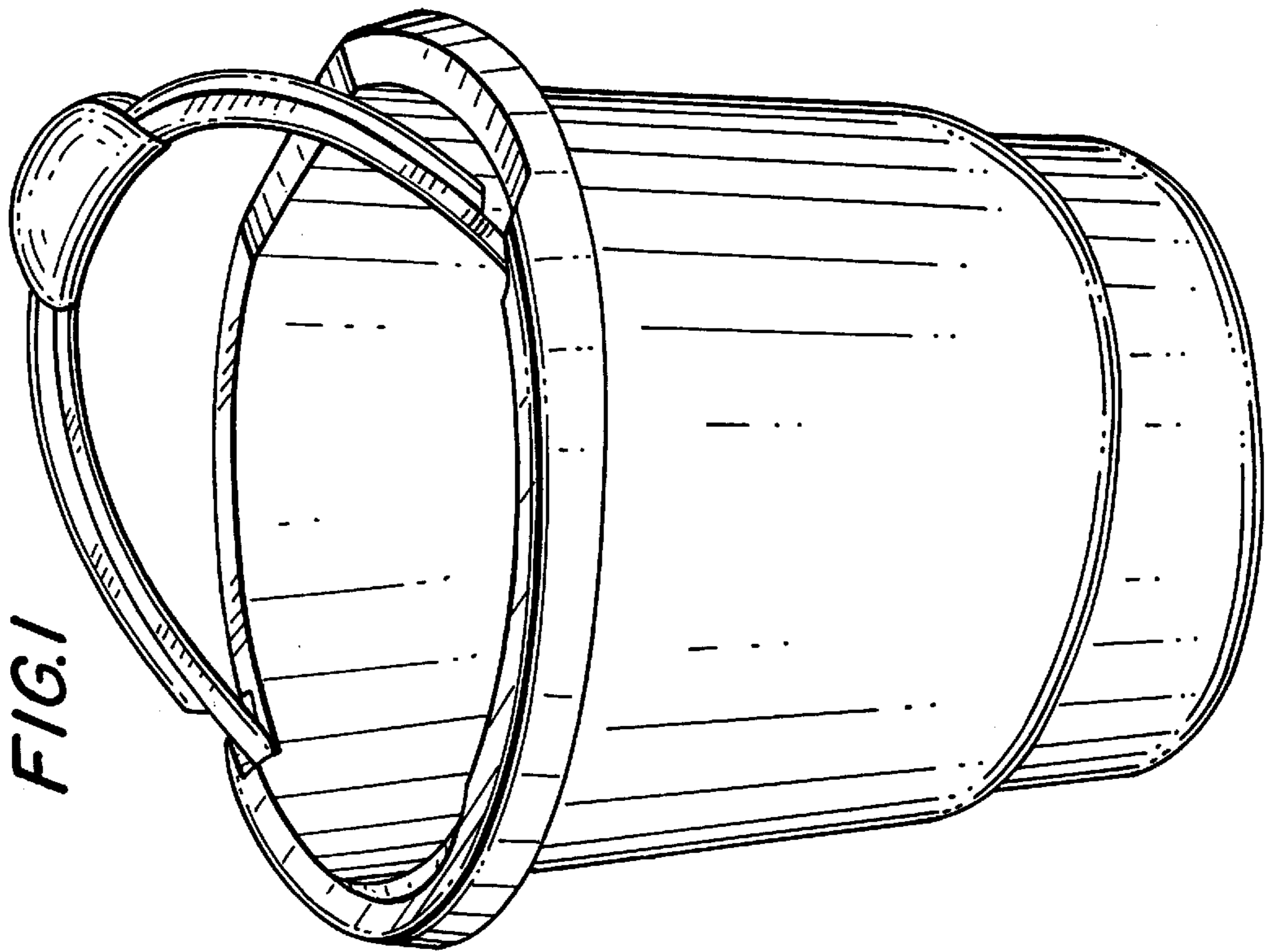


FIG.3

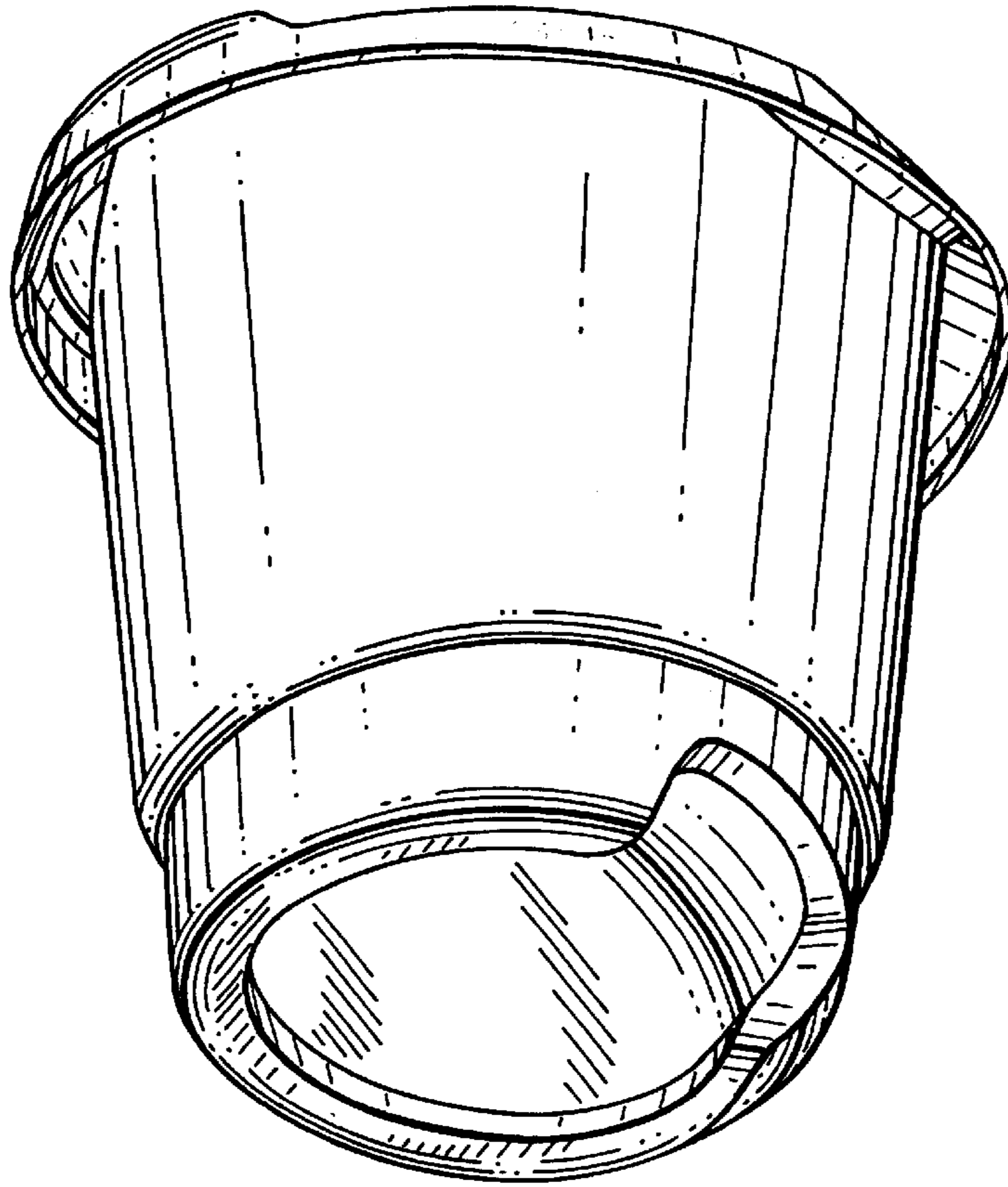
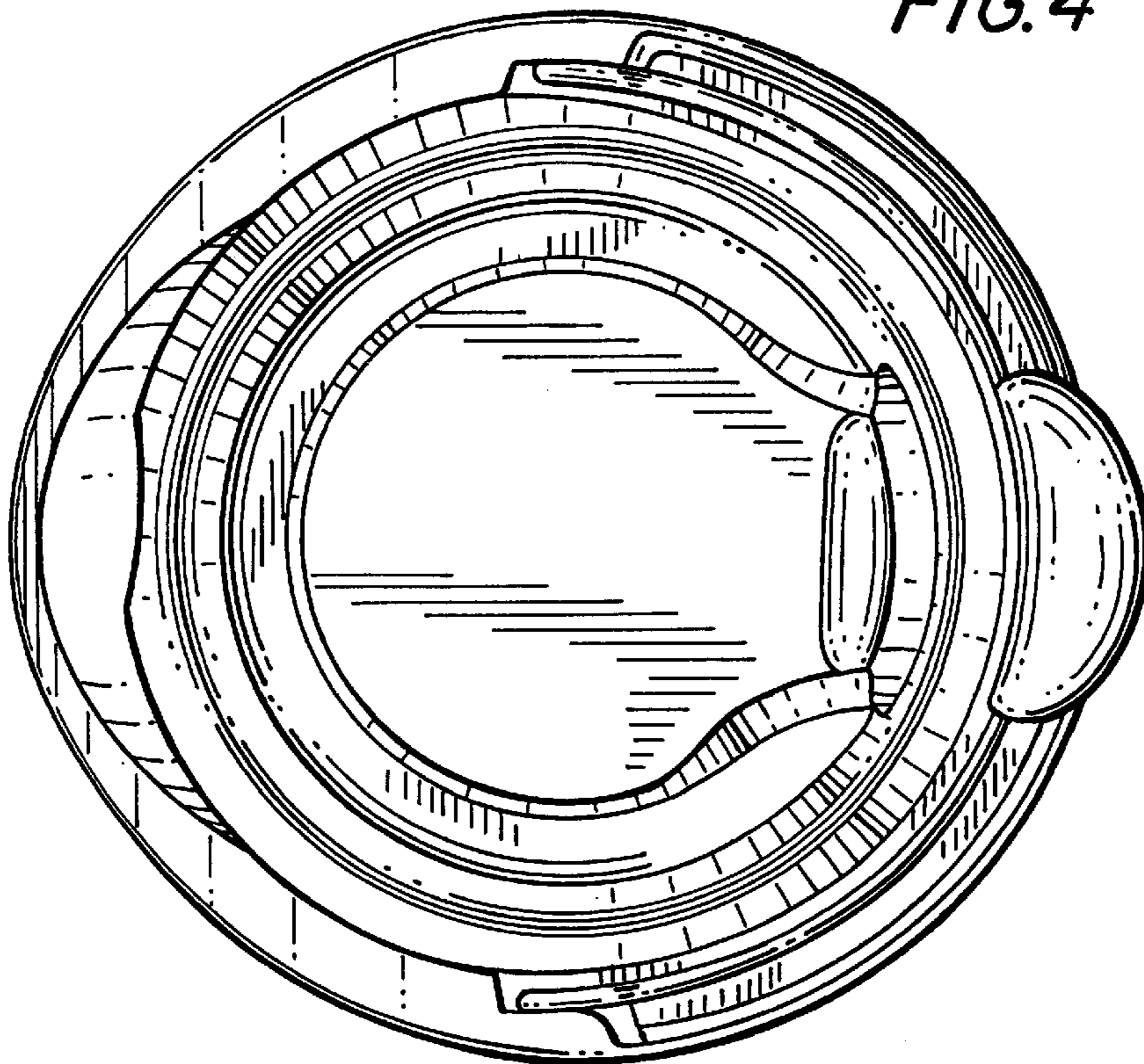


FIG.4



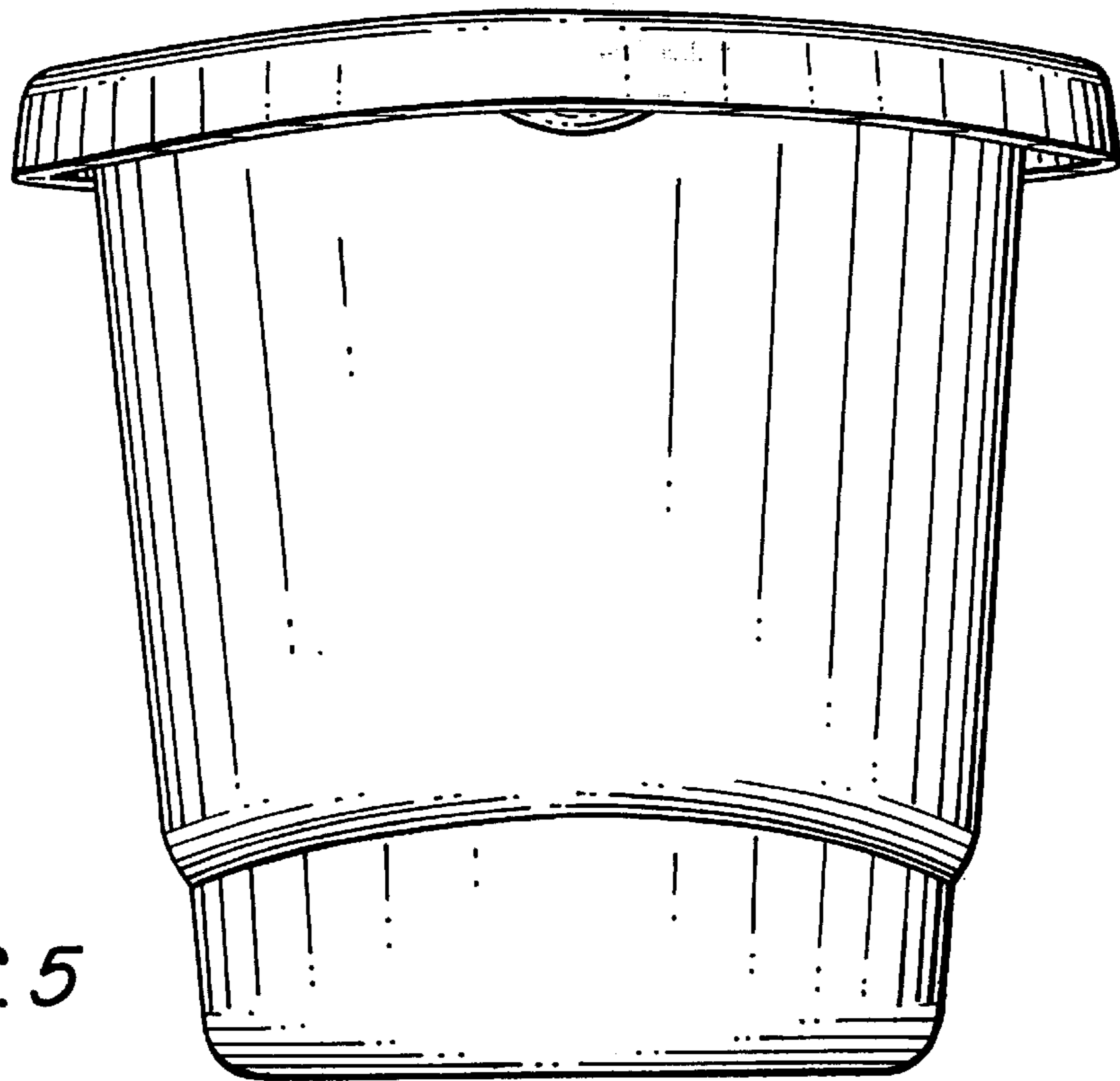


FIG. 5

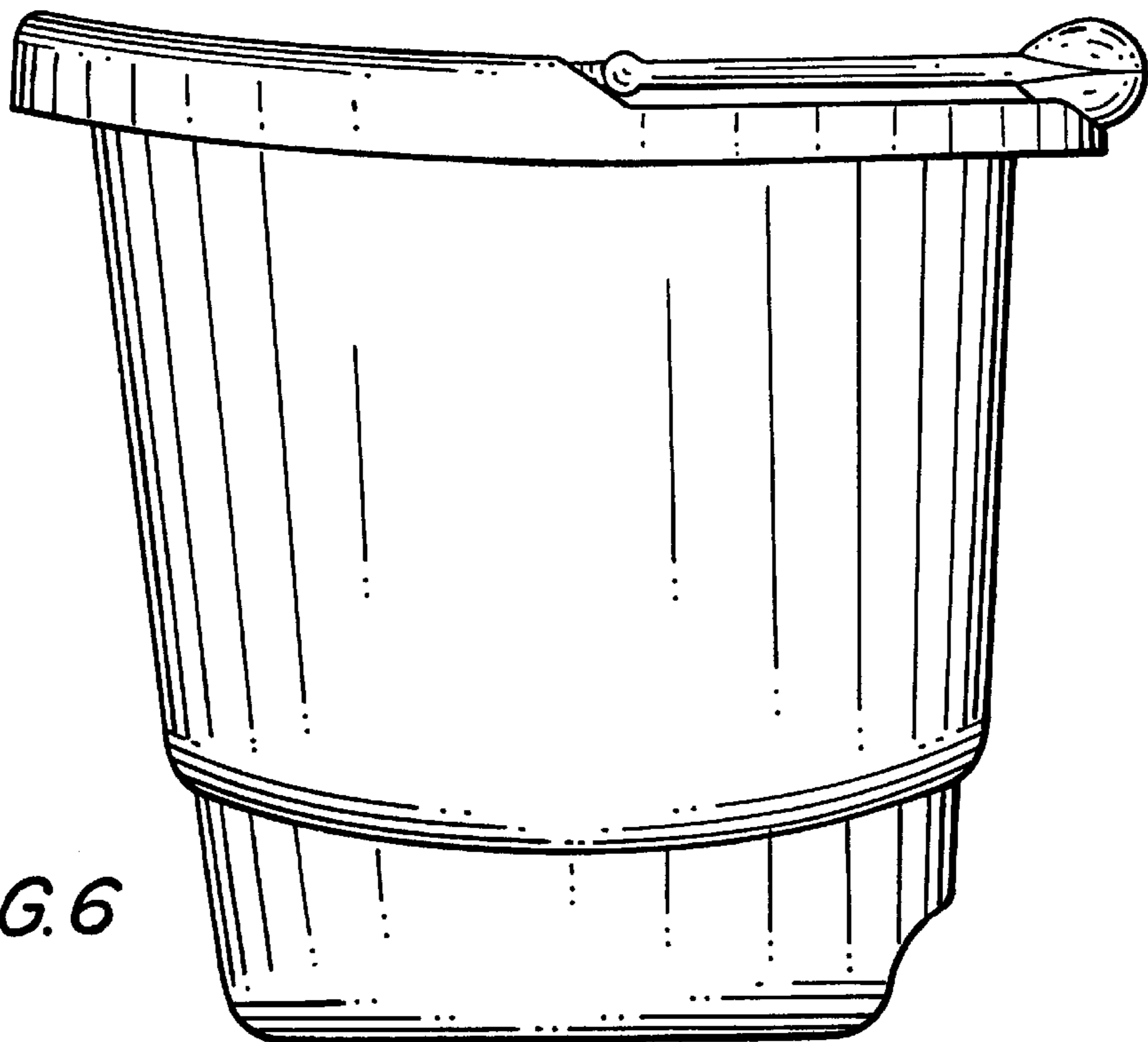


FIG. 6

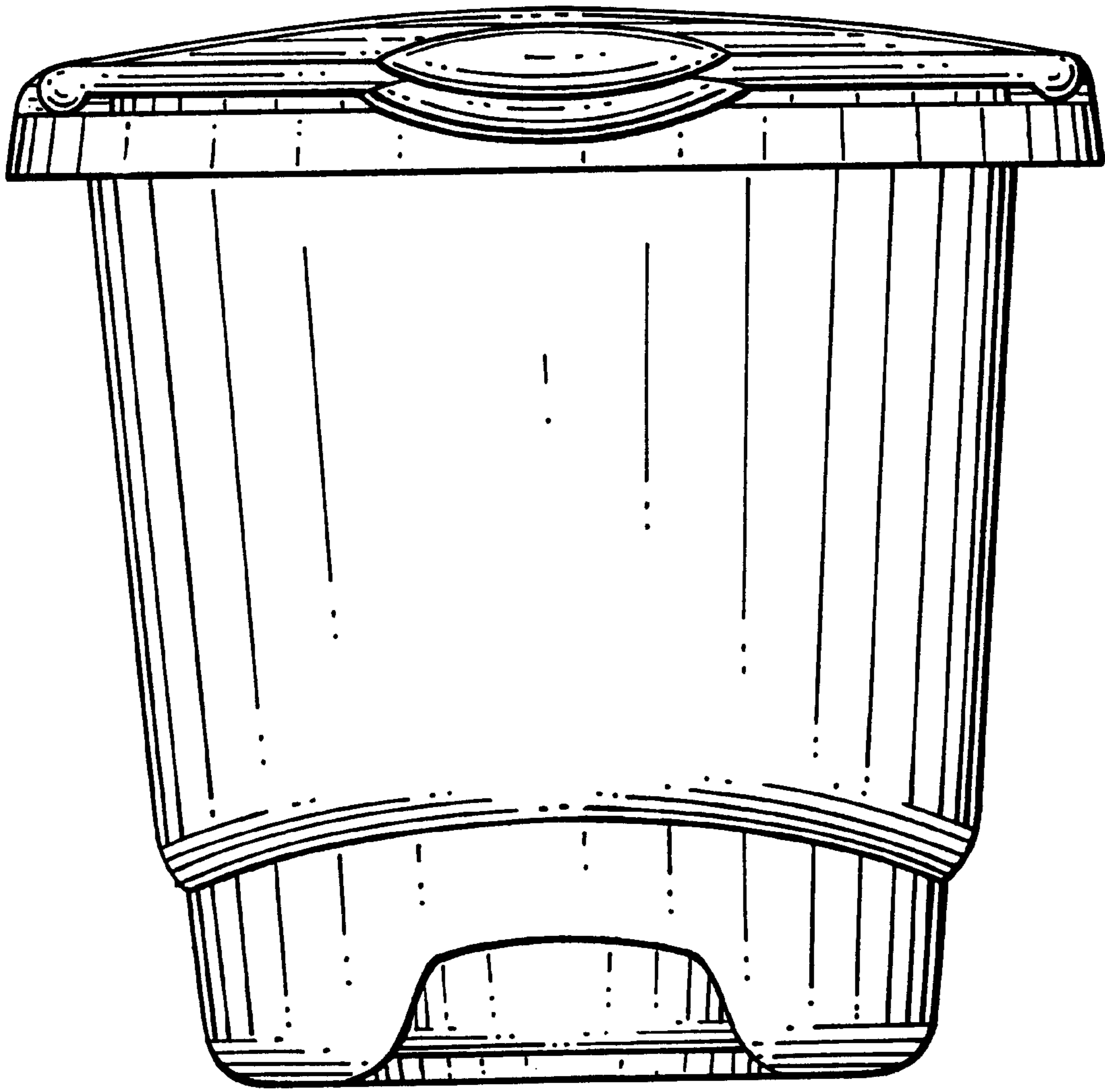


FIG. 7