



US00D469224S

(12) **United States Design Patent**
Stenkvist et al.

(10) **Patent No.:** **US D469,224 S**
(45) **Date of Patent:** **** Jan. 21, 2003**

(54) **DRAW ALIGNER FOR STRAIGHTENING
AUTOMOBILE BODIES**

4,281,532 A * 8/1981 Covington 72/457
4,309,895 A * 1/1982 Samuelsson 72/457
5,943,901 A * 8/1999 Fagerdahl 72/446
6,269,676 B1 * 8/2001 Soyk 72/457

(75) Inventors: **Sivert Stenkvist**, Torshälla (SE);
Juhani Marttiin, Kungsör (SE); **Peter
Henblad**, Eskilstuna (SE); **Lars Erik
Nilsson**, Kungör (SE)

* cited by examiner

Primary Examiner—Stacia Cadmus

(74) *Attorney, Agent, or Firm*—Sughrue Mion, PLLC

(73) Assignee: **Car-O-Liner AB**, Kungsör (SE)

(57) **CLAIM**

(**) Term: **14 Years**

The ornamental design for a draw aligner for straightening automobile bodies, as shown and described.

(21) Appl. No.: **29/136,841**

DESCRIPTION

(22) Filed: **Feb. 8, 2001**

FIG. 1 is a perspective view of the top, one side and one end of a draw aligner for straightening automobile bodies showing our new design;

(30) **Foreign Application Priority Data**

Aug. 8, 2000 (SE) 00-1398

FIG. 2 is a perspective view of the top, opposite side and opposite end thereof;

(51) **LOC (7) Cl.** **12-05**

(52) **U.S. Cl.** **D30/28**

FIG. 3 is an end elevational view of said one end thereof;

(58) **Field of Search** D12/162, 400;
D34/28-35; 414/137.1, 137.7; 72/705, 446;
254/254, 2 B; 280/43.14, 46

FIG. 4 is an end elevational view of said opposite end thereof;

(56) **References Cited**

U.S. PATENT DOCUMENTS

3,122,194 A * 2/1964 Bronson et al. 72/705 X

3,698,230 A * 10/1972 Buske 72/705 X

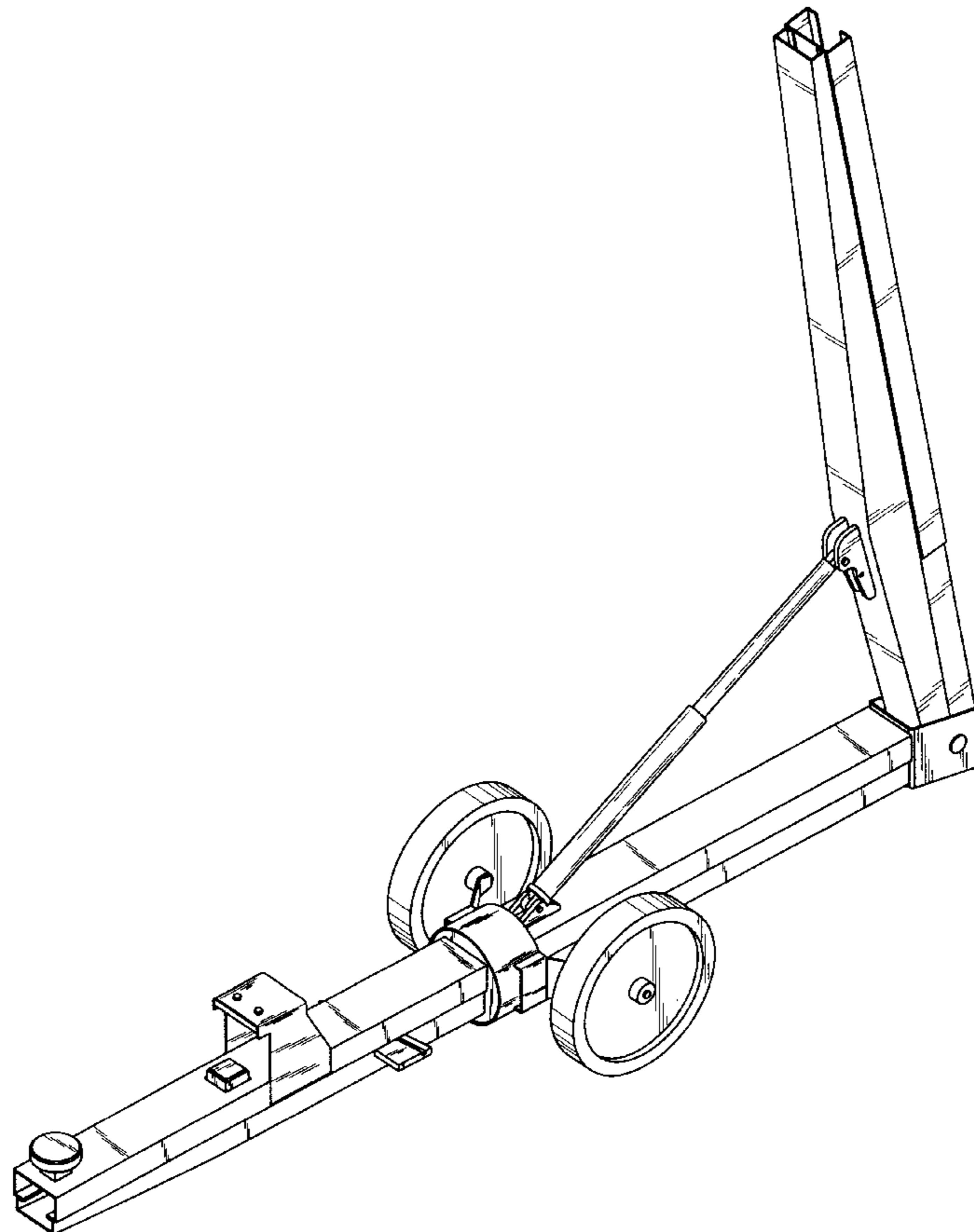
FIG. 5 is a side elevational view of said opposite side thereof;

FIG. 6 is a side elevational view of said one side thereof;

FIG. 7 is a top plan view thereof; and,

FIG. 8 is a bottom plan view thereof.

1 Claim, 6 Drawing Sheets



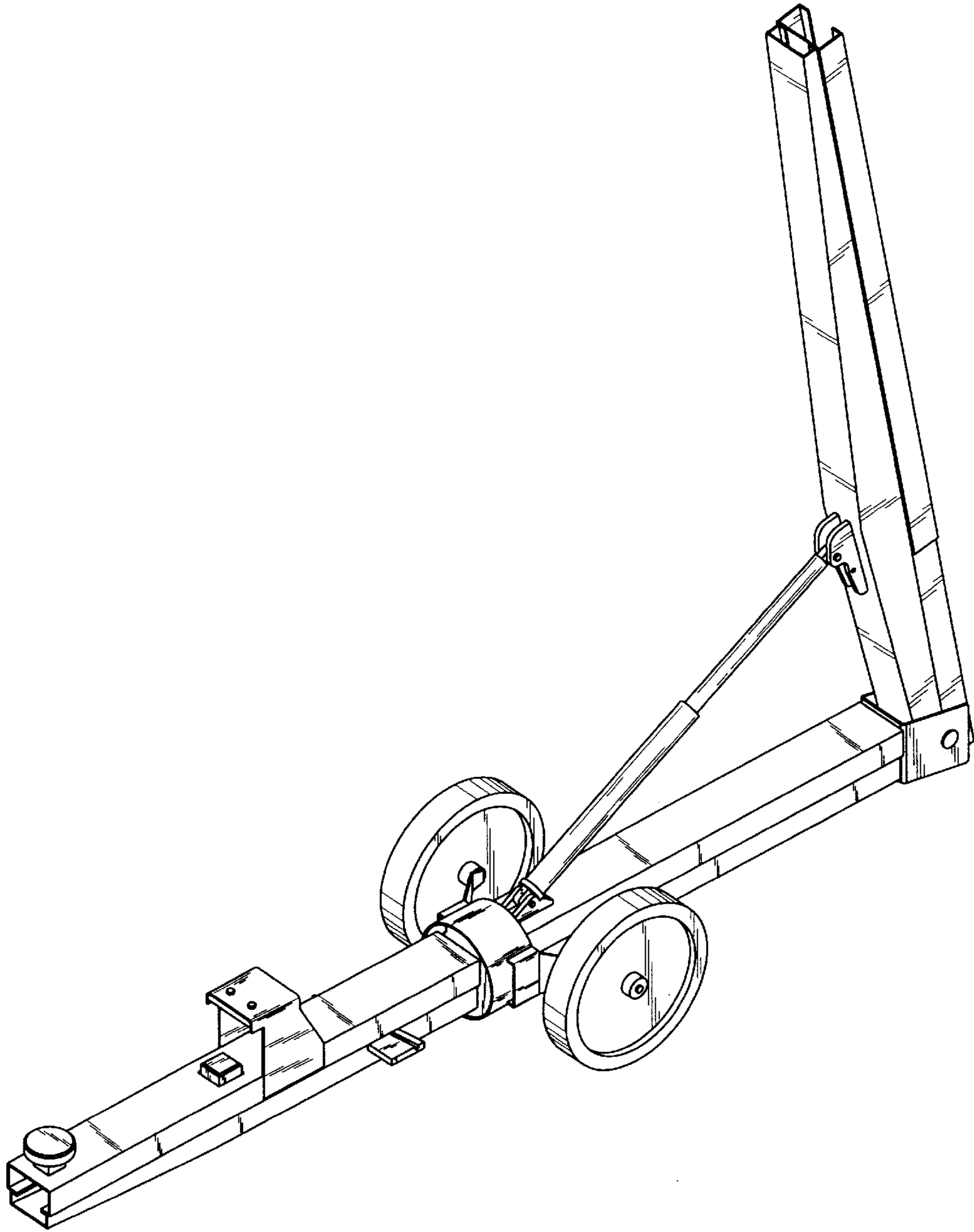


Fig. 1

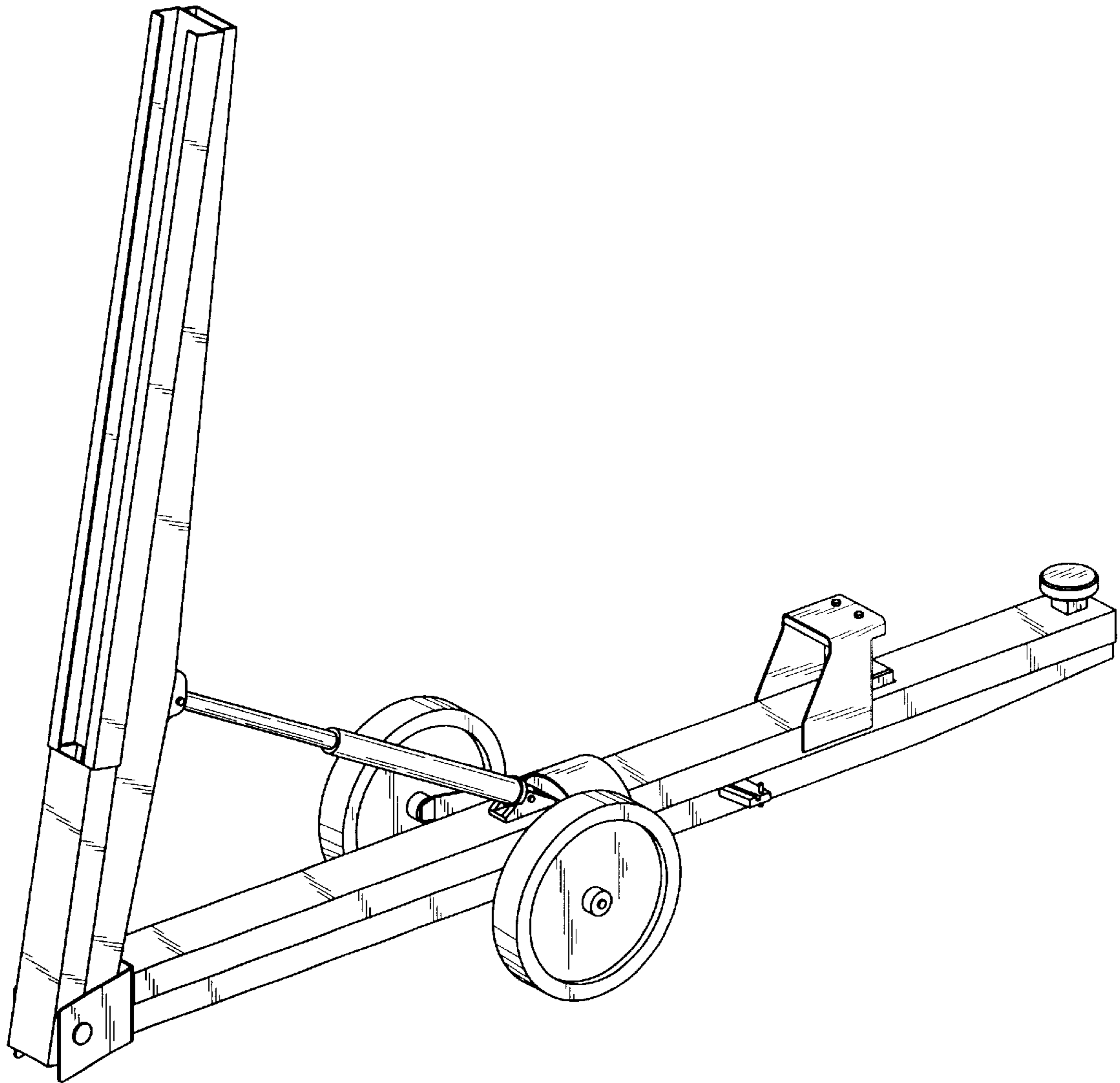


Fig. 2

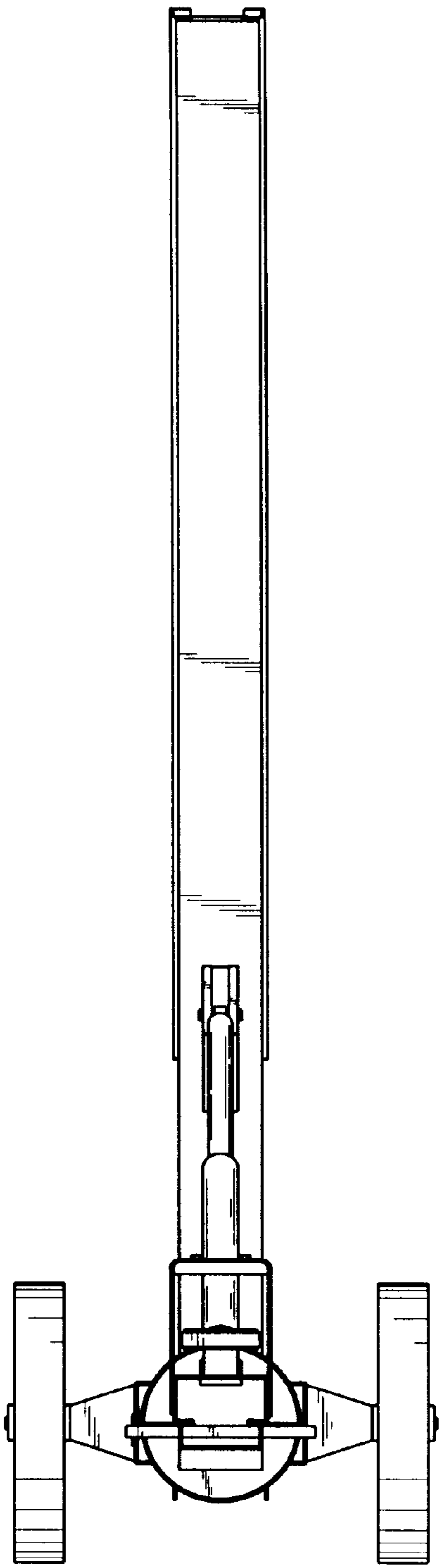


Fig. 3

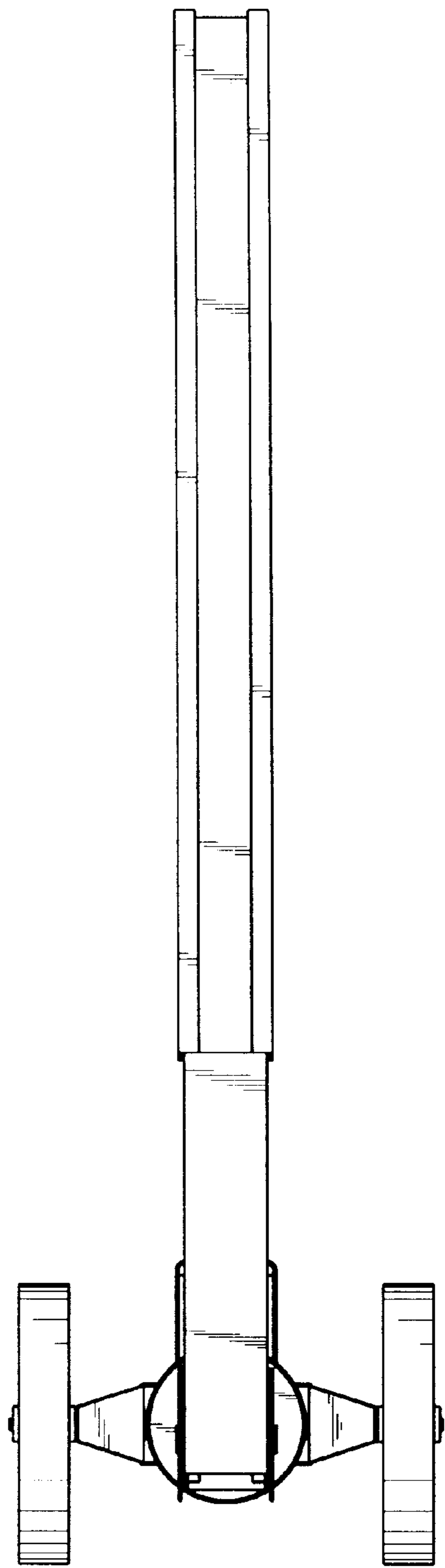
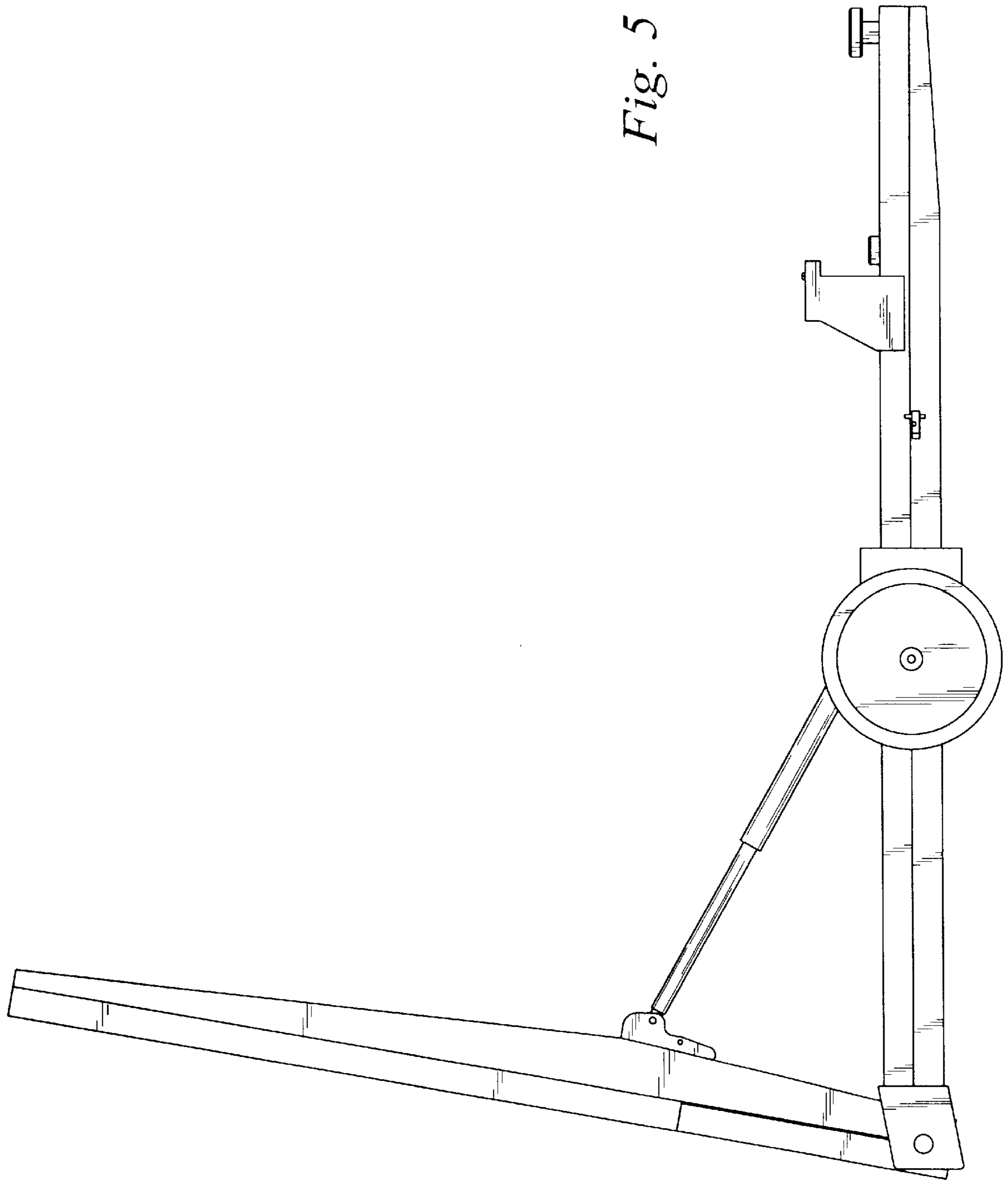


Fig. 4

Fig. 5



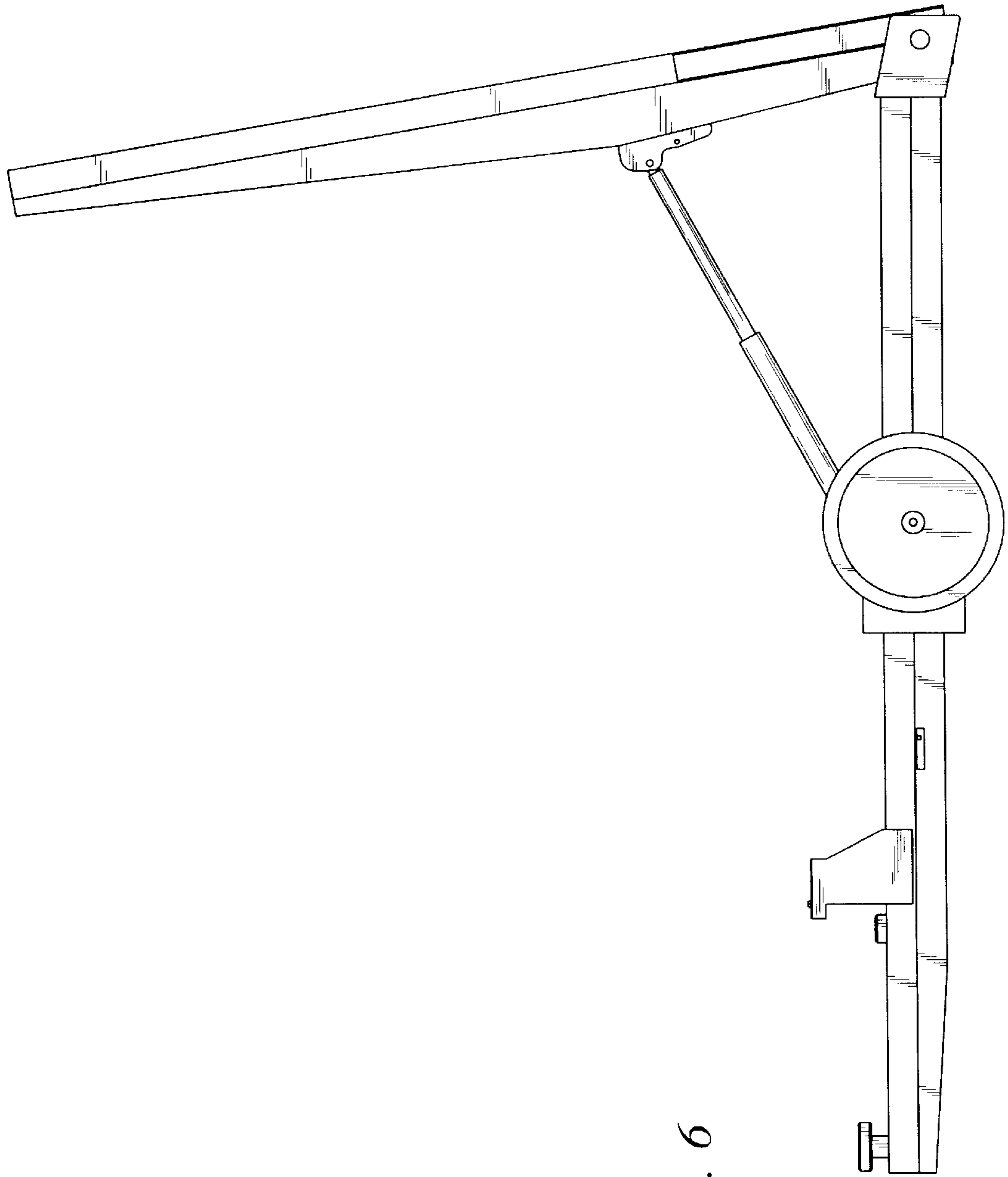


Fig. 6

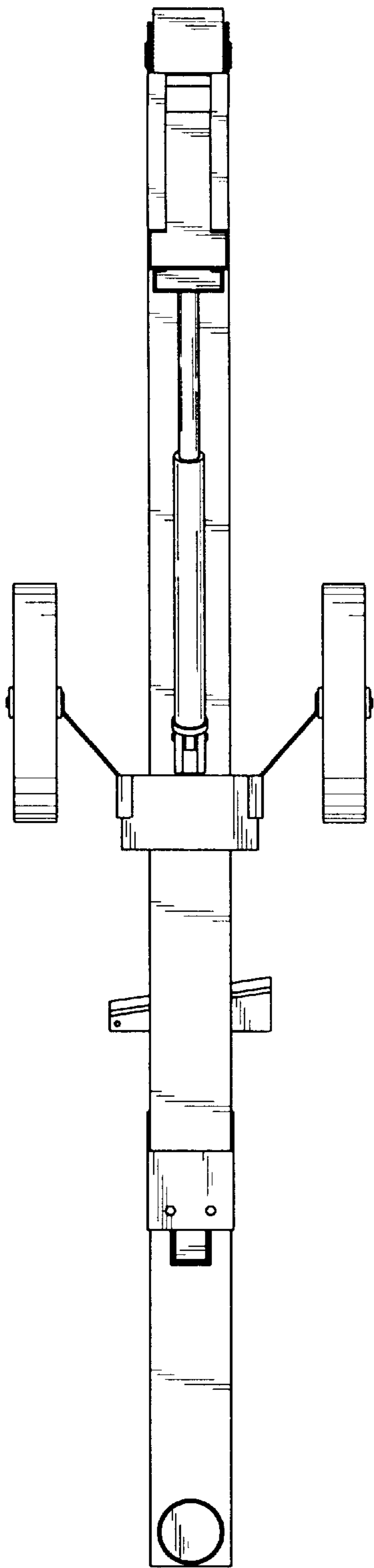


Fig. 7

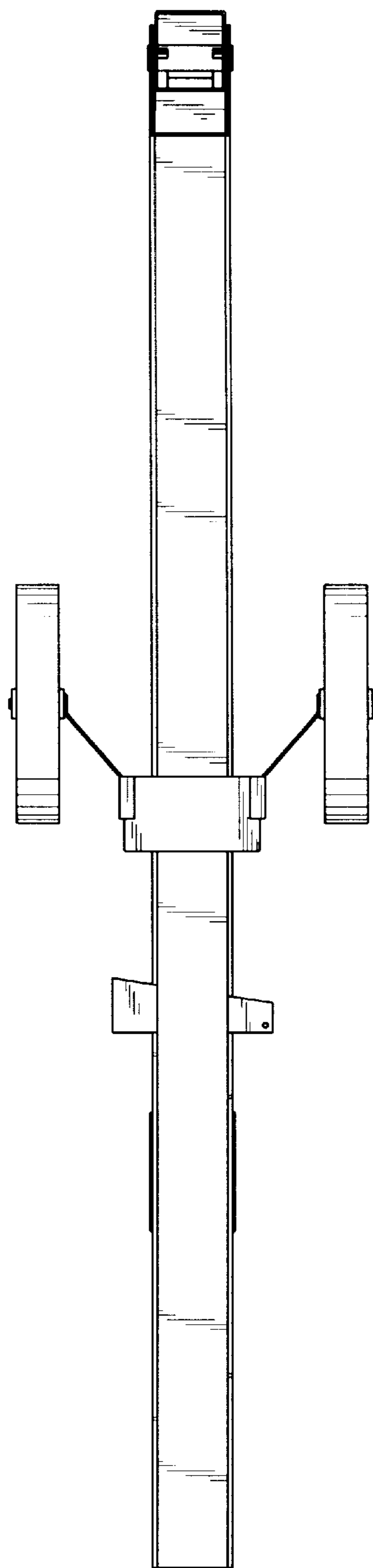


Fig. 8