



US00D469213S

(12) **United States Design Patent**
Huang

(10) **Patent No.:** **US D469,213 S**

(45) **Date of Patent:** **** Jan. 21, 2003**

(54) **ROUND DECORATIVE VEHICLE LIGHTING REFLECTOR WITH STEPPED REFLECTIVE SURFACE**

Primary Examiner—Jennifer Rivard
(74) *Attorney, Agent, or Firm*—Thomas I. Rozsa; Tony D. Chen

(75) **Inventor:** **Nan Huang Huang**, Rancho Palos Verdes, CA (US)

(57) **CLAIM**

(73) **Assignee:** **Grand General Accessories Manufacturing Inc.**, Compton, CA (US)

The ornamental design for a round decorative vehicle lighting reflector with stepped reflective surface, as shown and described.

(**) **Term:** **14 Years**

DESCRIPTION

(21) **Appl. No.:** **29/153,803**

FIG. 1 is a perspective view of a round decorative vehicle lighting reflector with stepped reflective surface, showing my new design;

(22) **Filed:** **Jan. 8, 2002**

FIG. 2 is a top plan view thereof;

(51) **LOC (7) Cl.** **26-99**

(52) **U.S. Cl.** **D26/139**

FIG. 3 is a bottom plan view thereof;

(58) **Field of Search** D26/118, 120-124, D26/138, 139, 152, 77; 362/326-340, 341-350, 363, 364, 365

FIG. 4 is a side elevational view thereof, the other side being identical;

FIG. 5 is a frontal elevational view thereof;

(56) **References Cited**

U.S. PATENT DOCUMENTS

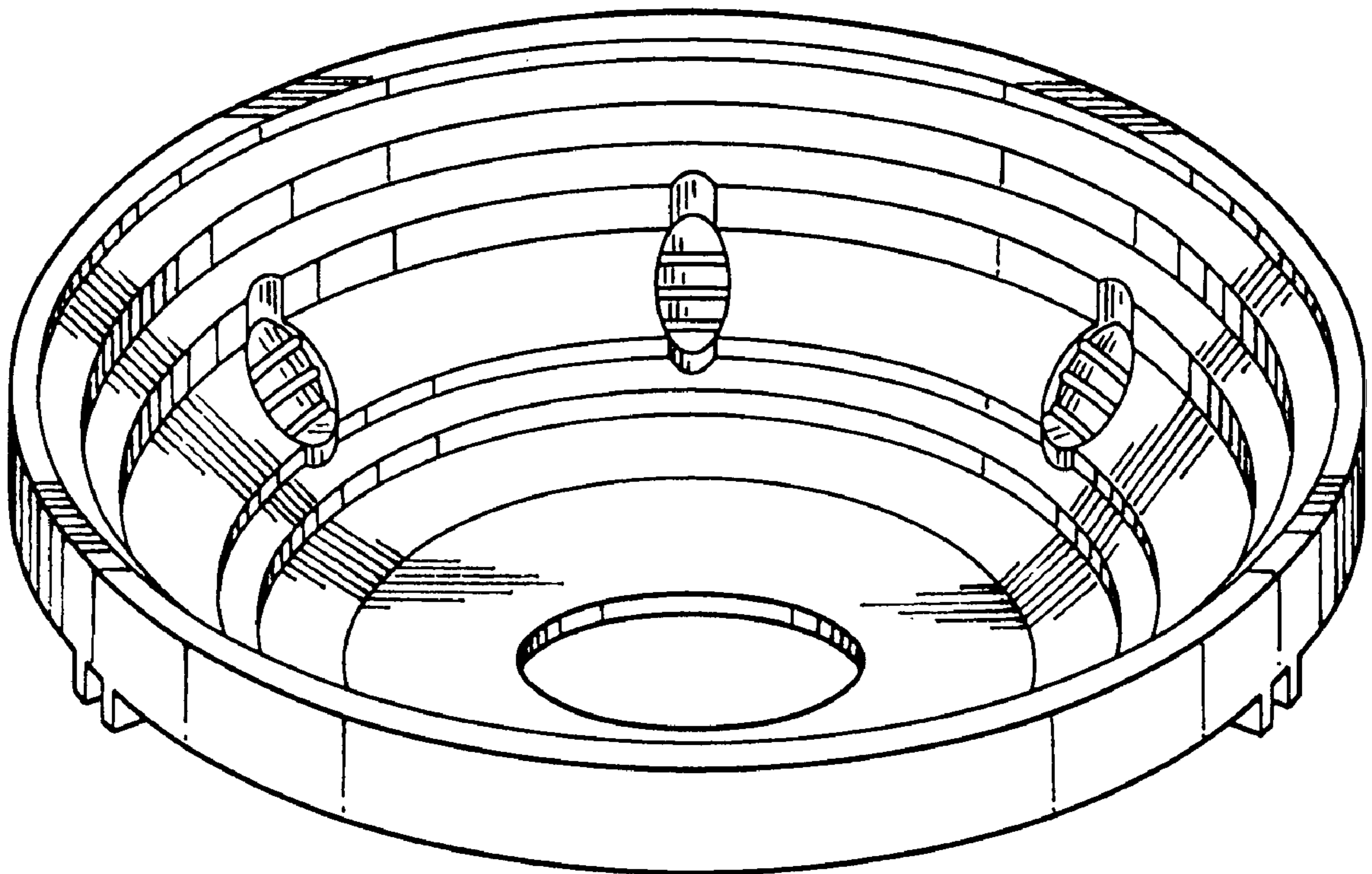
- D189,932 S * 3/1961 Walker D26/139
- D250,968 S * 1/1979 Combest D26/152
- D427,368 S * 6/2000 Kelmelis et al. D26/152

FIG. 6 is a rear elevational view thereof; and,

FIG. 7 is a perspective view thereof, showing my new design in its position of use, it being understood that the broken line (showing the housing, lens and light bulb of the vehicle lighting) is for illustrative purposes only and forms no part of the claimed design.

* cited by examiner

1 Claim, 3 Drawing Sheets



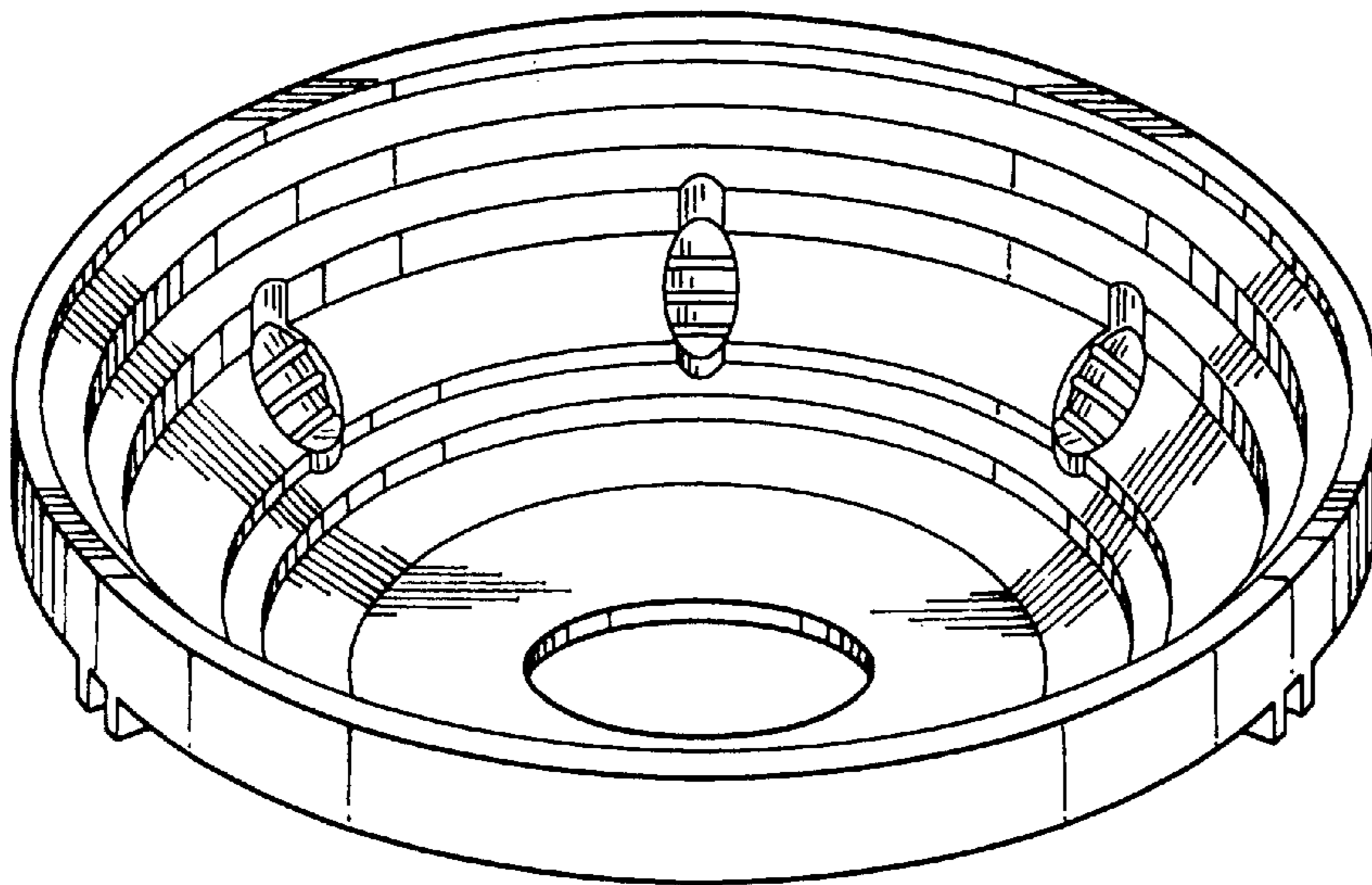


FIG. 1

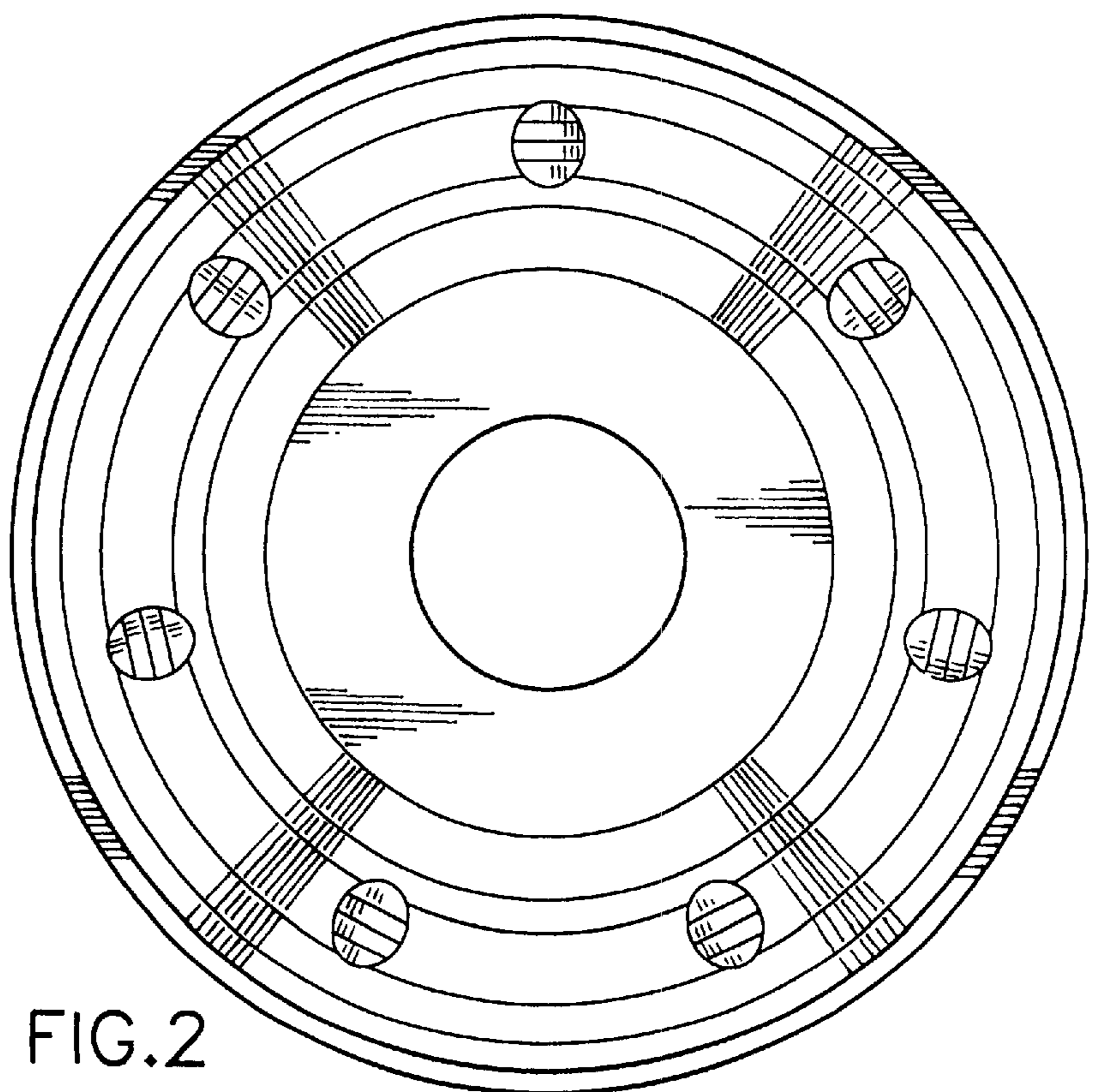


FIG. 2

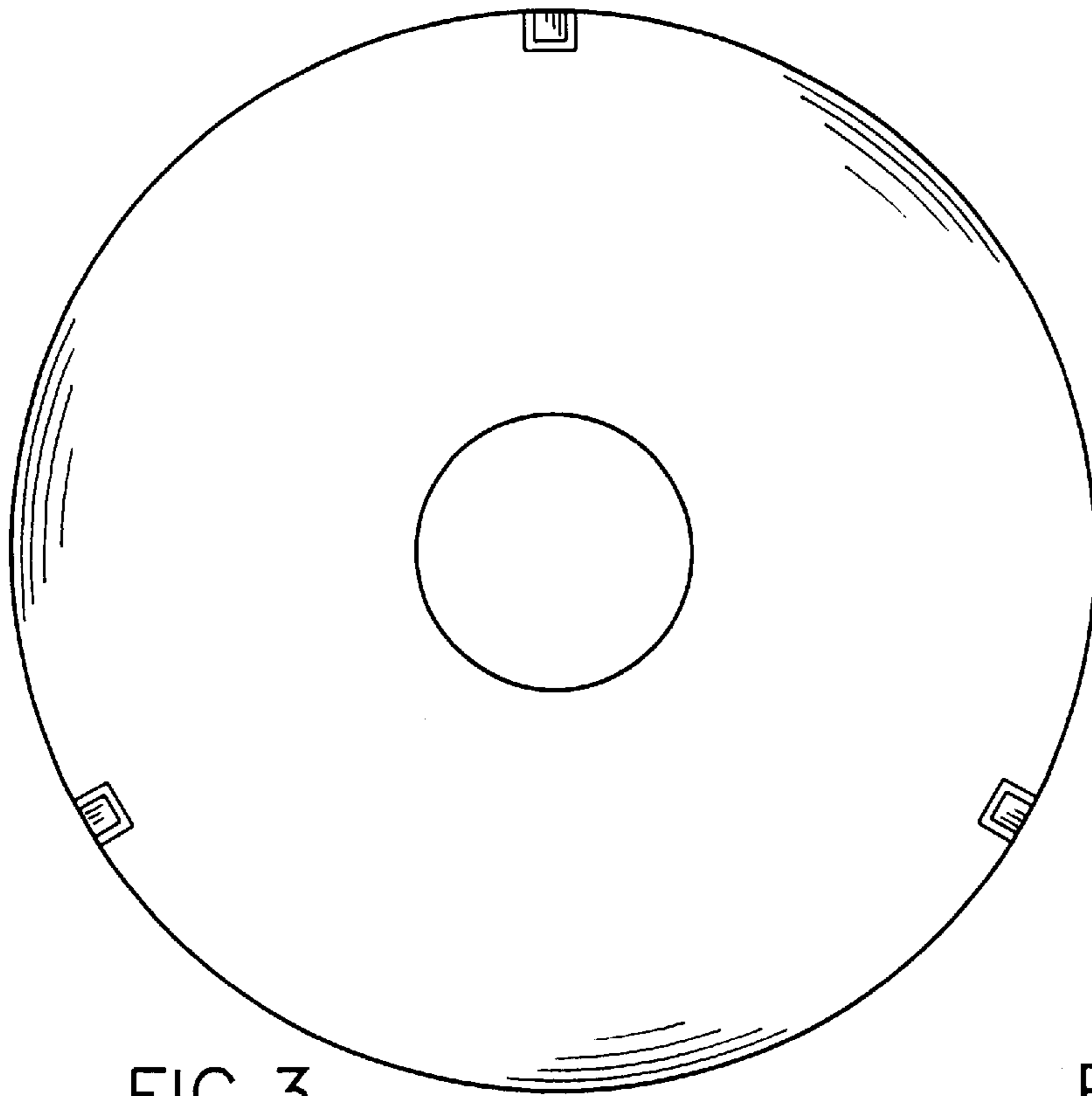


FIG. 3

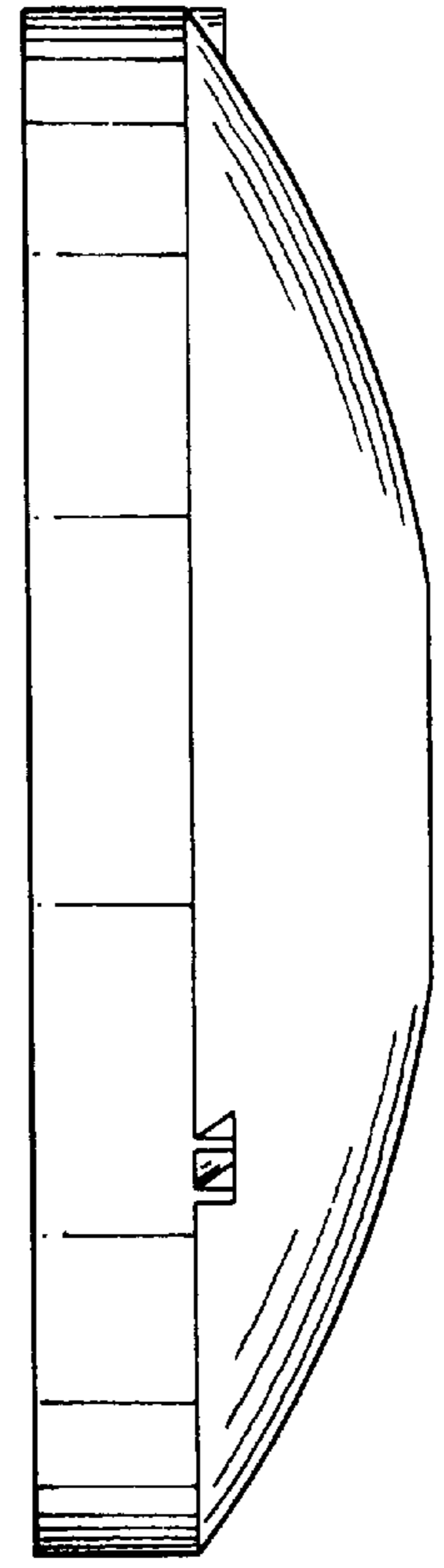


FIG. 4

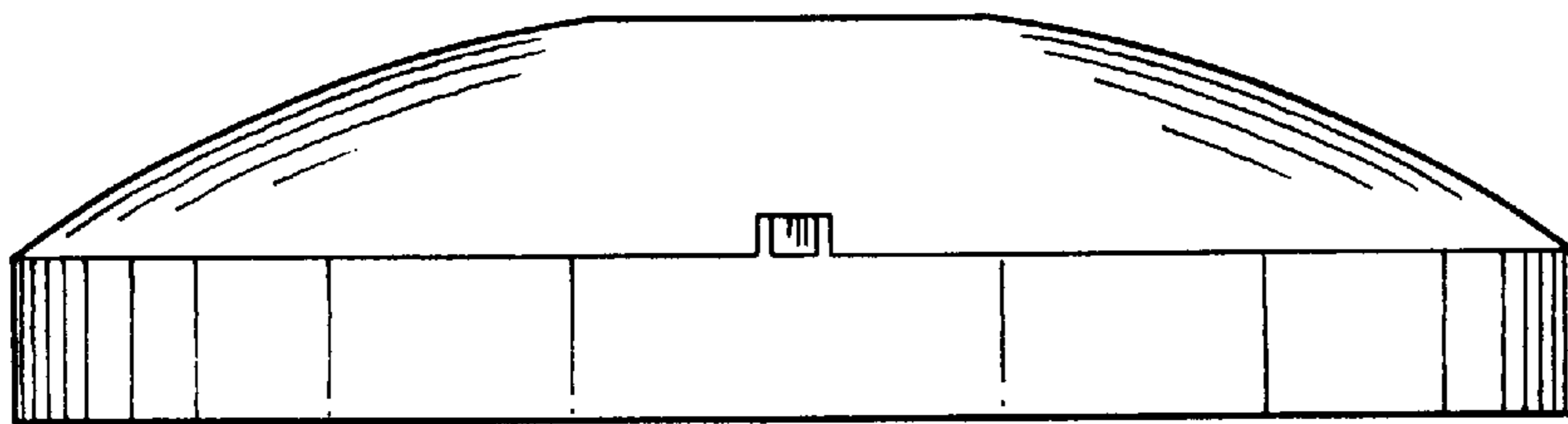


FIG. 5



FIG. 6

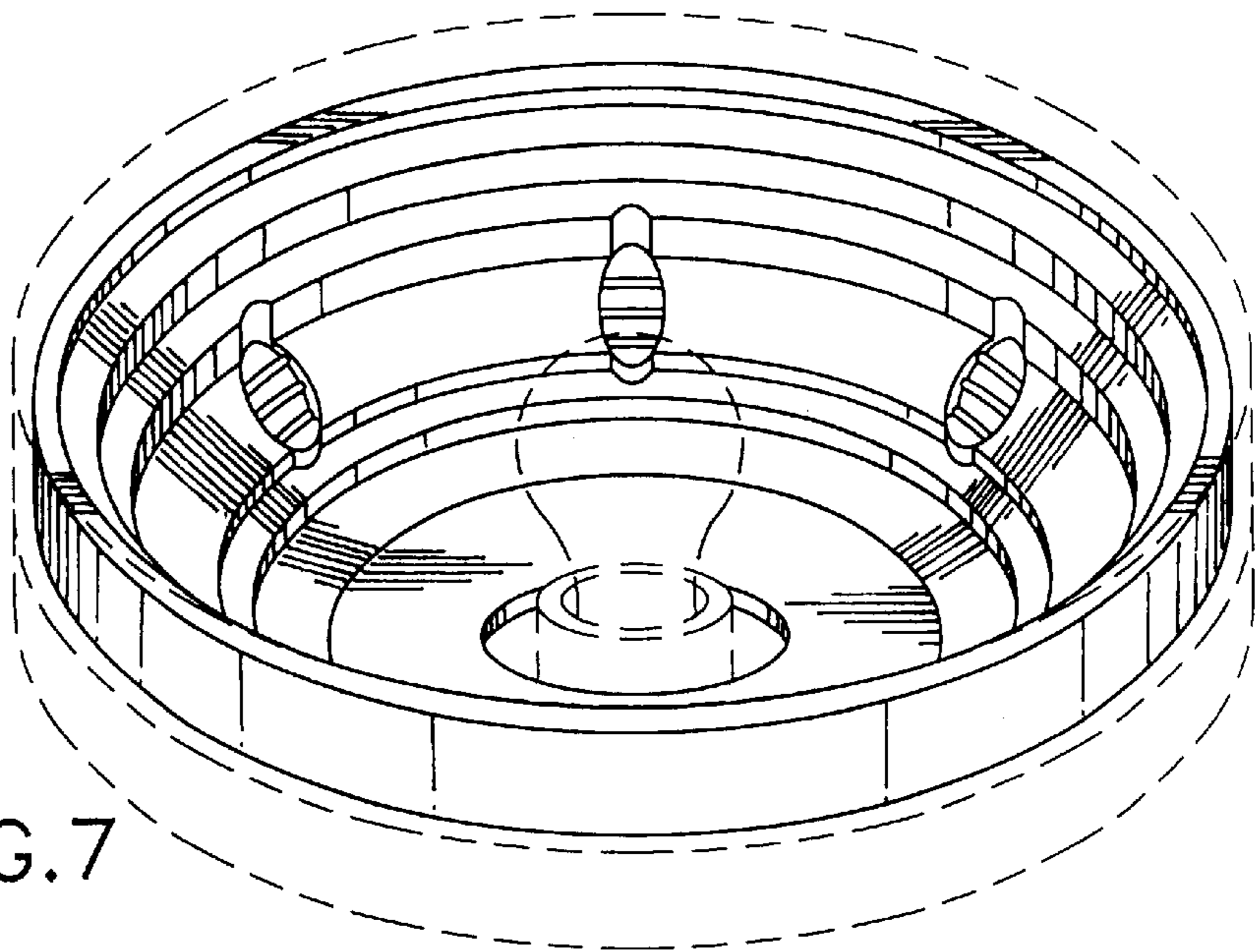


FIG. 7