



US00D469209S

(12) **United States Design Patent**  
**Homann**

(10) **Patent No.:** **US D469,209 S**

(45) **Date of Patent:** **\*\* Jan. 21, 2003**

(54) **TRIM RING FOR CEILING LIGHT FIXTURE**

(75) Inventor: **Alfred Homann**, Copenhagen (DK)

(73) Assignee: **Louis Poulsen Lighting, Inc.**, Ft. Lauderdale, FL (US)

(\*\*) Term: **14 Years**

(21) Appl. No.: **29/152,386**

(22) Filed: **Dec. 21, 2001**

(51) **LOC (7) Cl.** ..... **26-99**

(52) **U.S. Cl.** ..... **D26/118; D26/152**

(58) **Field of Search** ..... D26/74, 113, 118,  
D26/138, 139, 142, 152; 362/363, 364,  
365, 404

(56) **References Cited**

**U.S. PATENT DOCUMENTS**

D341,443 S \* 11/1993 Shapiro ..... D26/118  
D417,747 S \* 12/1999 Pahl ..... D26/118

**OTHER PUBLICATIONS**

EI-29602, Taiwan Lighting, p. 120, Nov. 2000.\*  
Brochure—Light and Architecture, Louis Poulsen, 8 pages.  
Brochure—Light and Architecture, Louis Poulsen, 17 pages.

\* cited by examiner

*Primary Examiner*—Jennifer Rivard

(74) *Attorney, Agent, or Firm*—Jacobson Holman PLLC

(57) **CLAIM**

The ornamental design for a trim ring for ceiling light fixture, as shown and described.

**DESCRIPTION**

FIG. 1 is a bottom perspective view showing my new design for a trim ring for ceiling light fixture,

FIG. 2 is a top perspective view thereof;

FIG. 3 is a top view thereof;

FIG. 4 is a side view, with the opposite side being a mirror image thereof;

FIG. 5 is a bottom perspective view of an alternate embodiment of trim ring for ceiling light fixture;

FIG. 6 is a top perspective view thereof;

FIG. 7 is a top view thereof; and,

FIG. 8 is a side view, with the opposite side being a mirror image thereof.

**1 Claim, 4 Drawing Sheets**

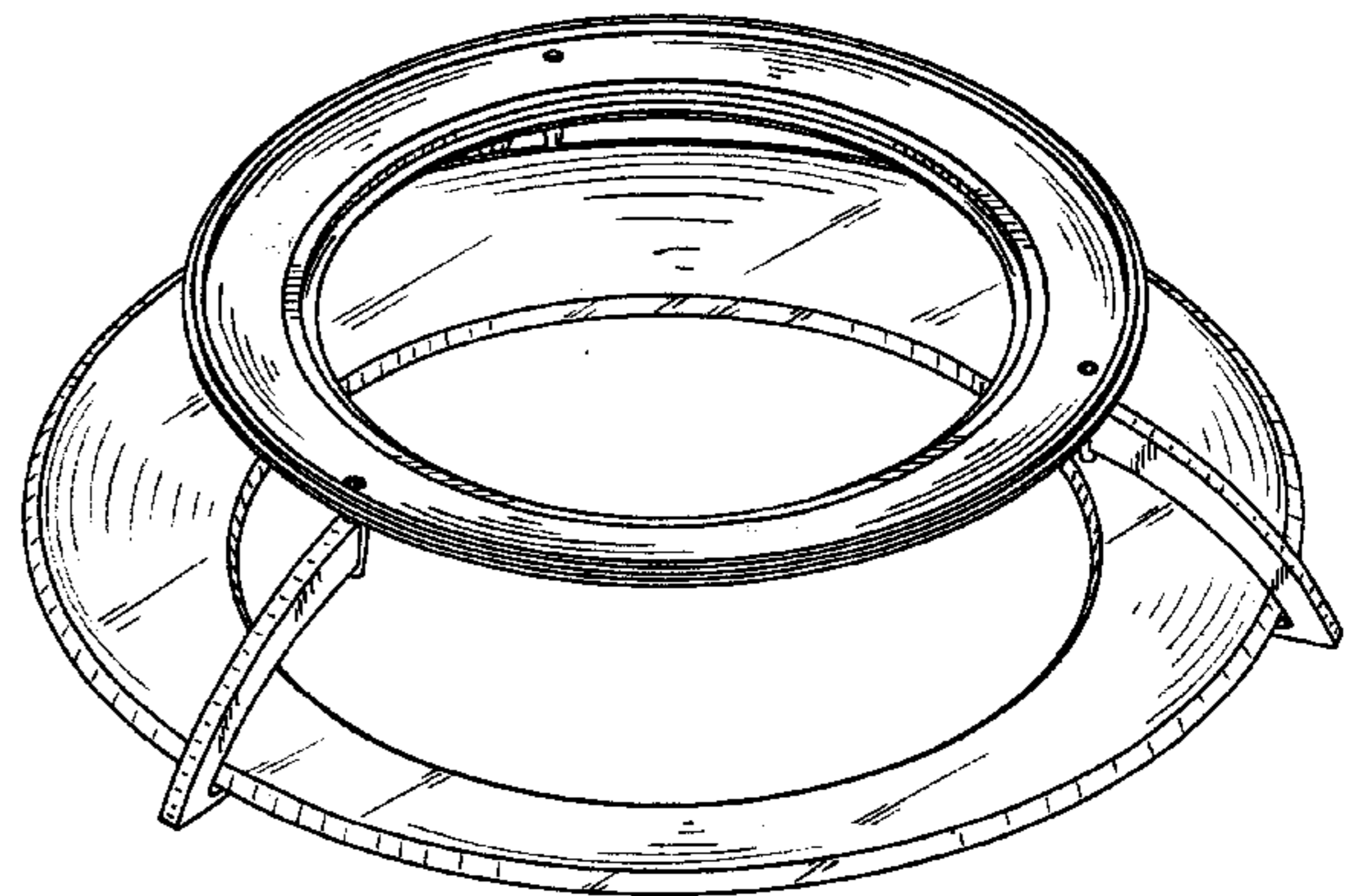
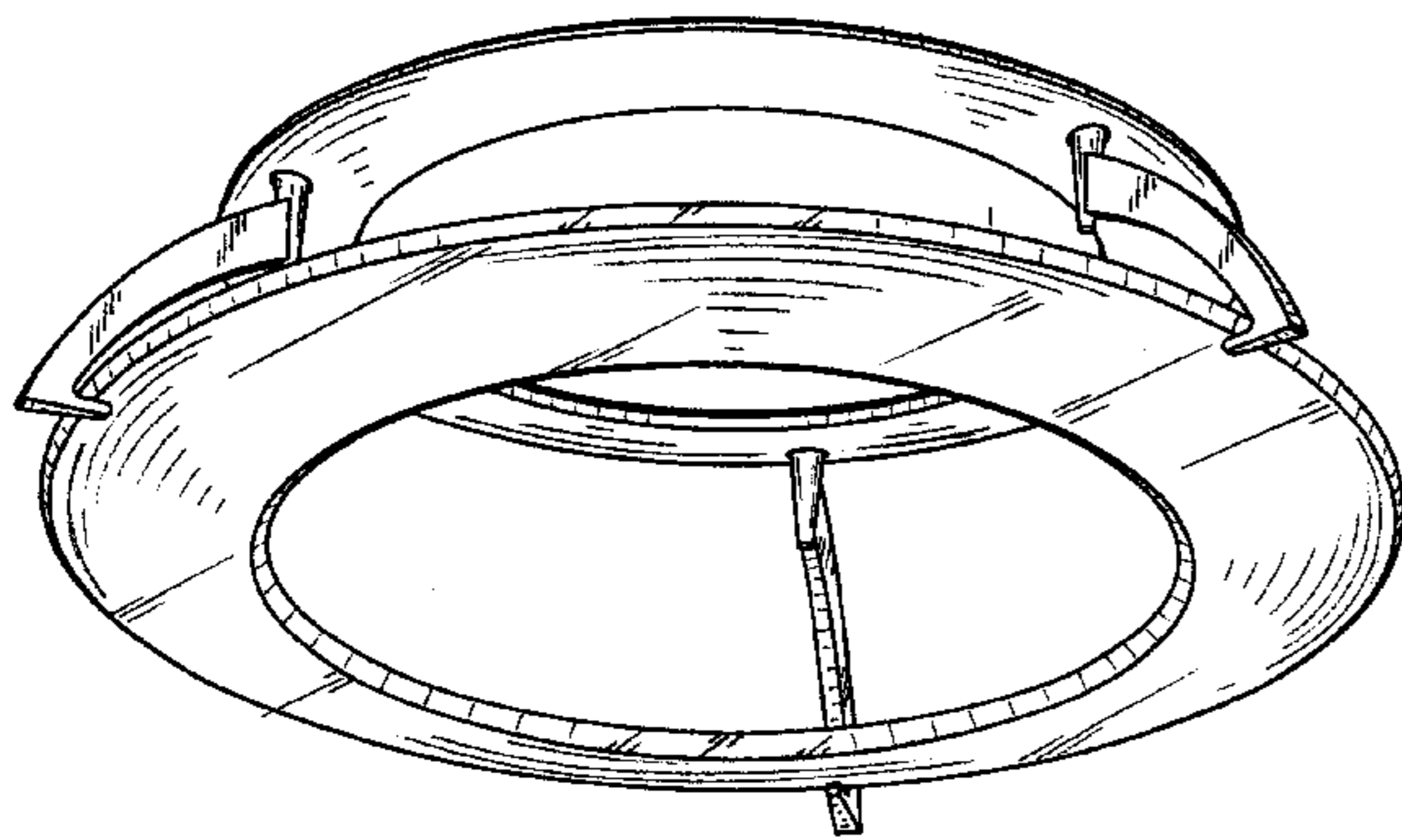


FIG. 1

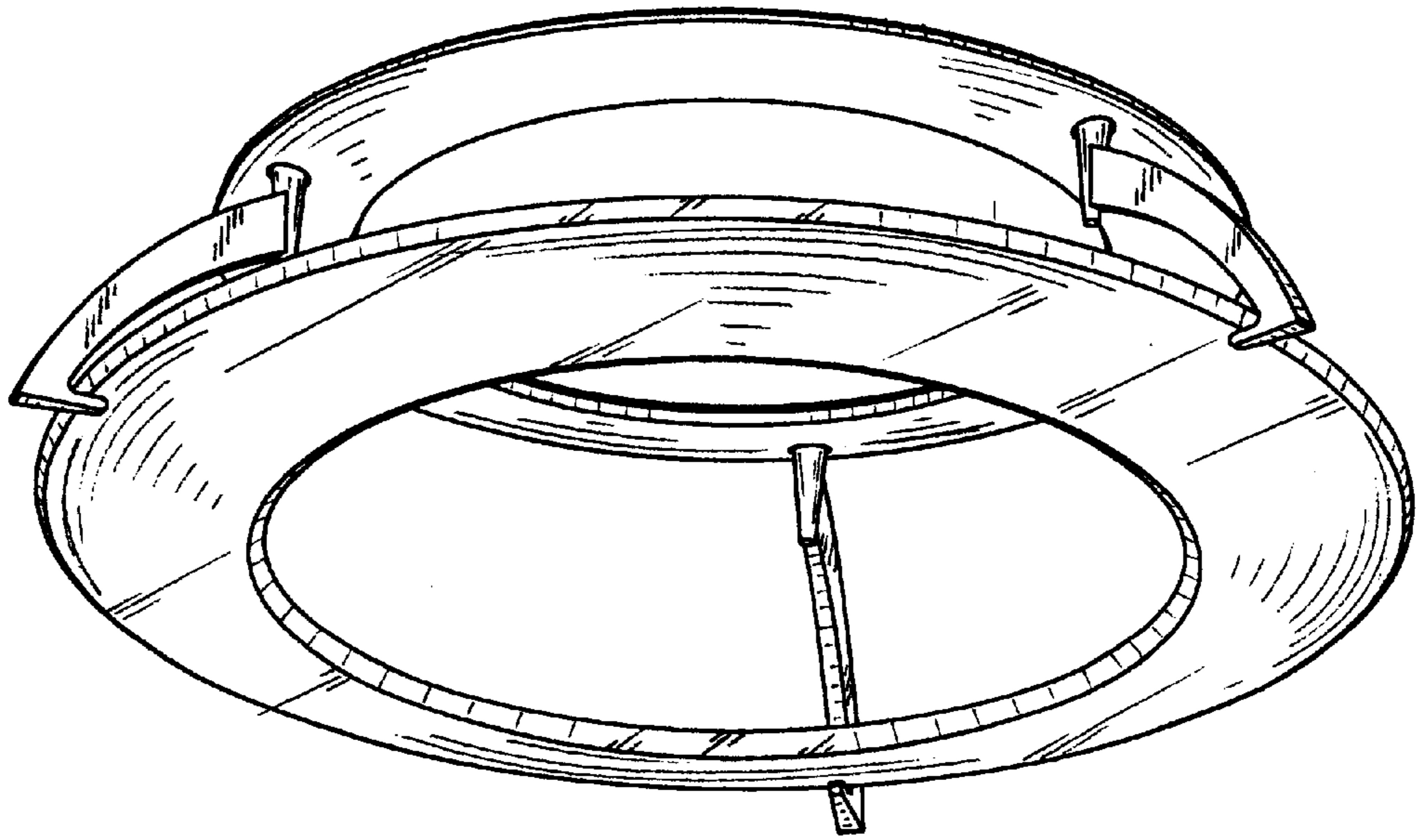


FIG. 2

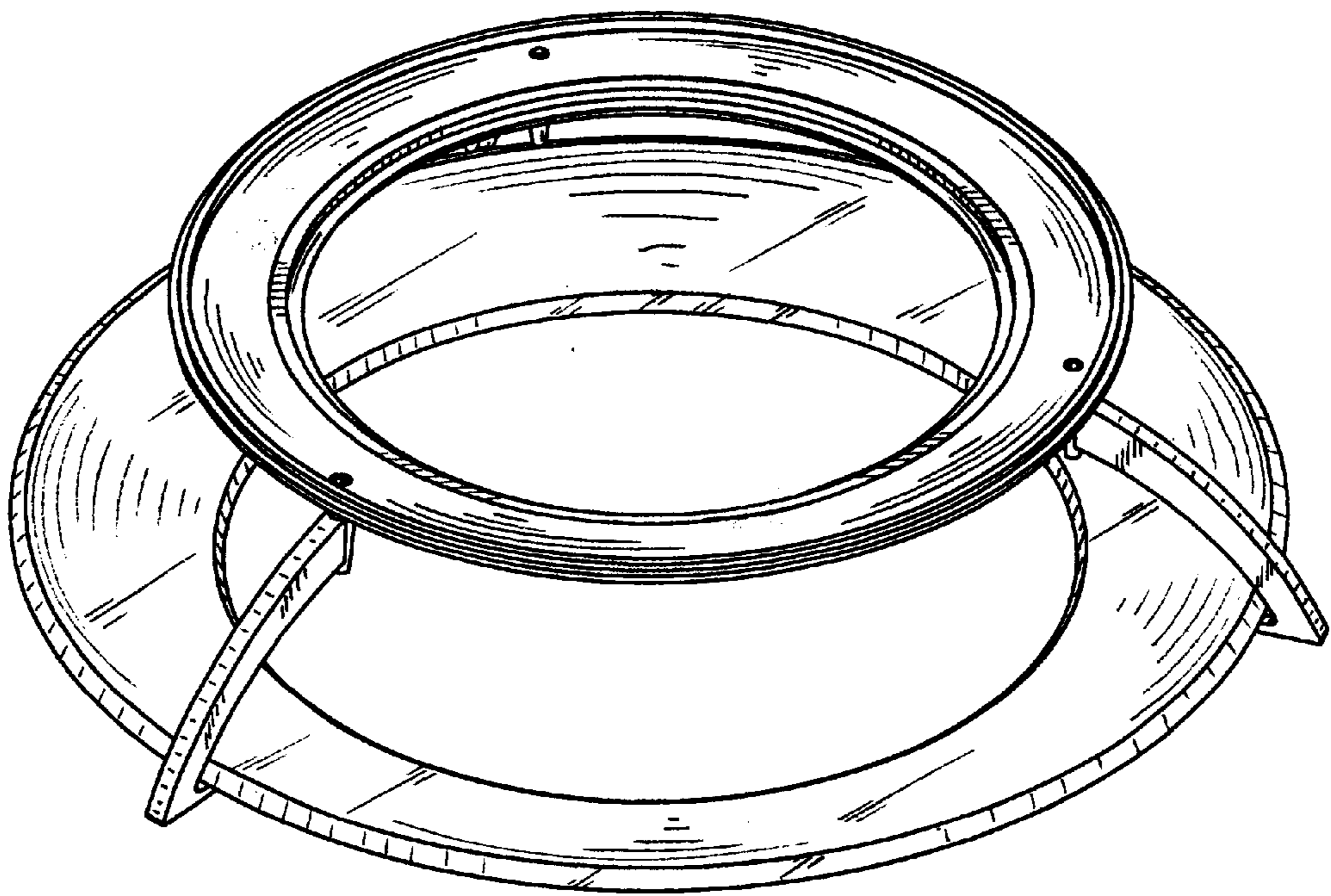


FIG. 3

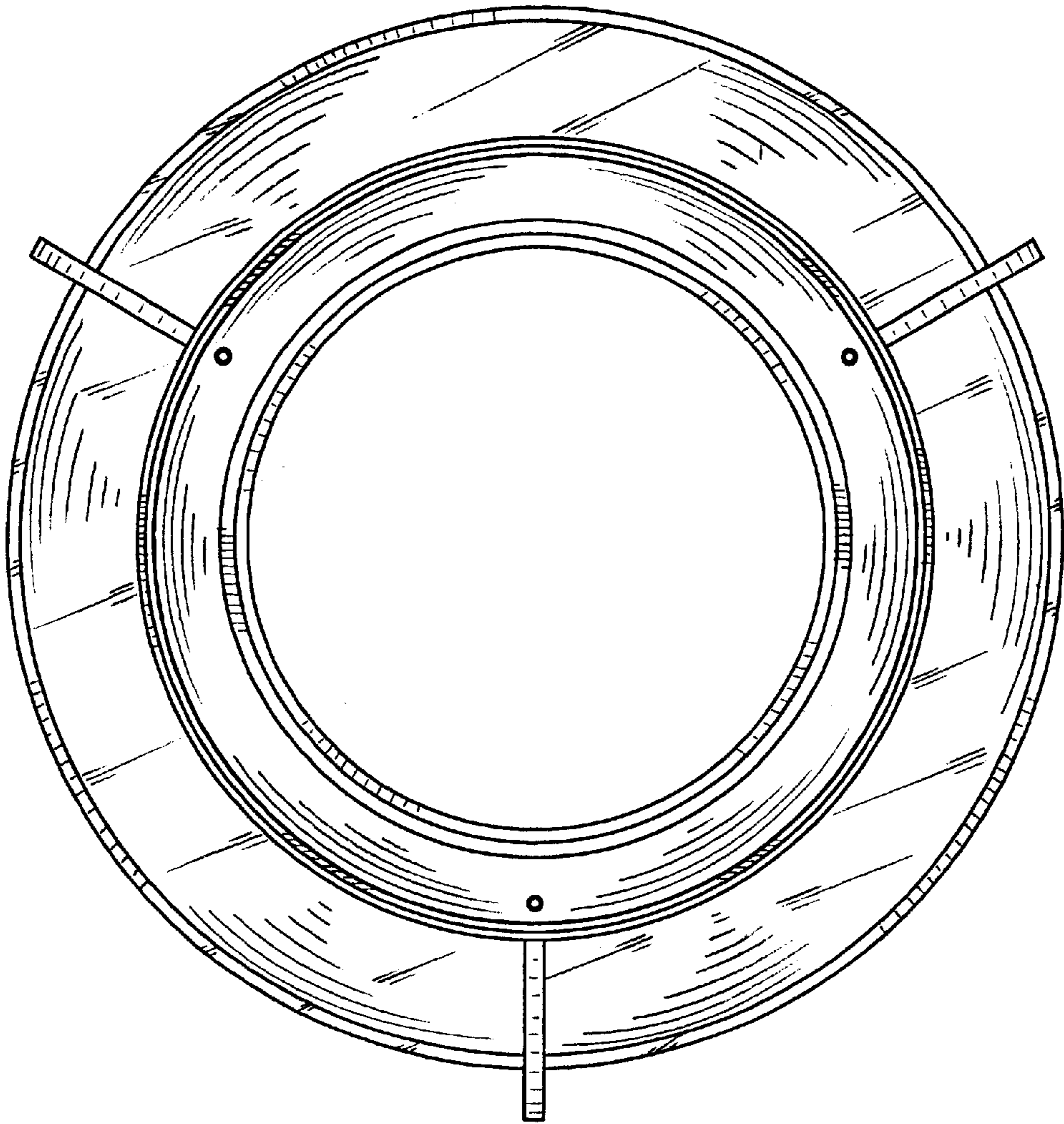


FIG. 4

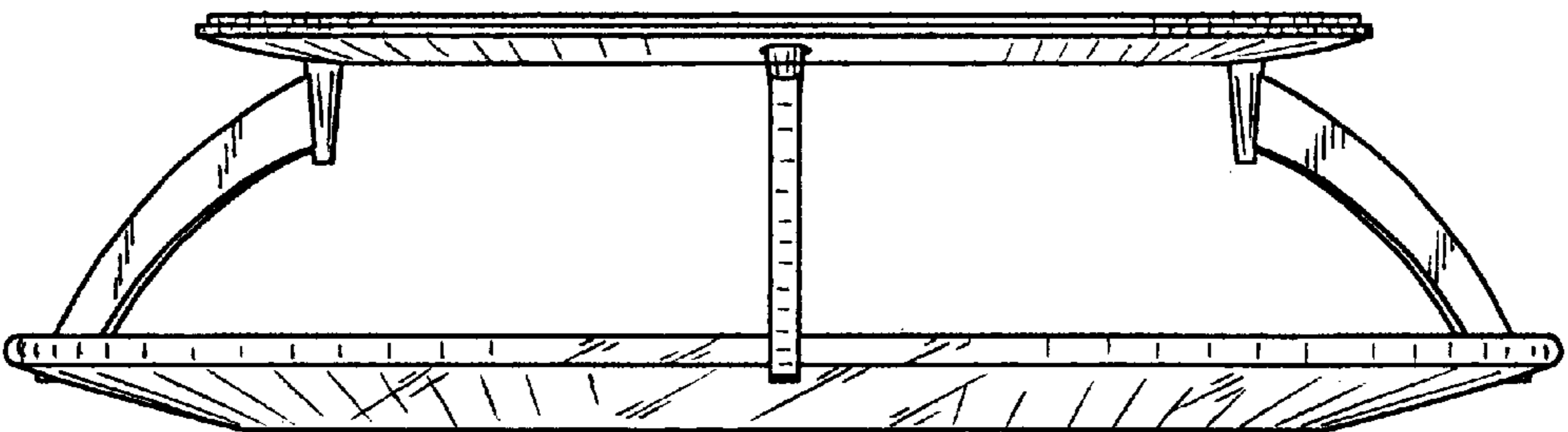


FIG. 5

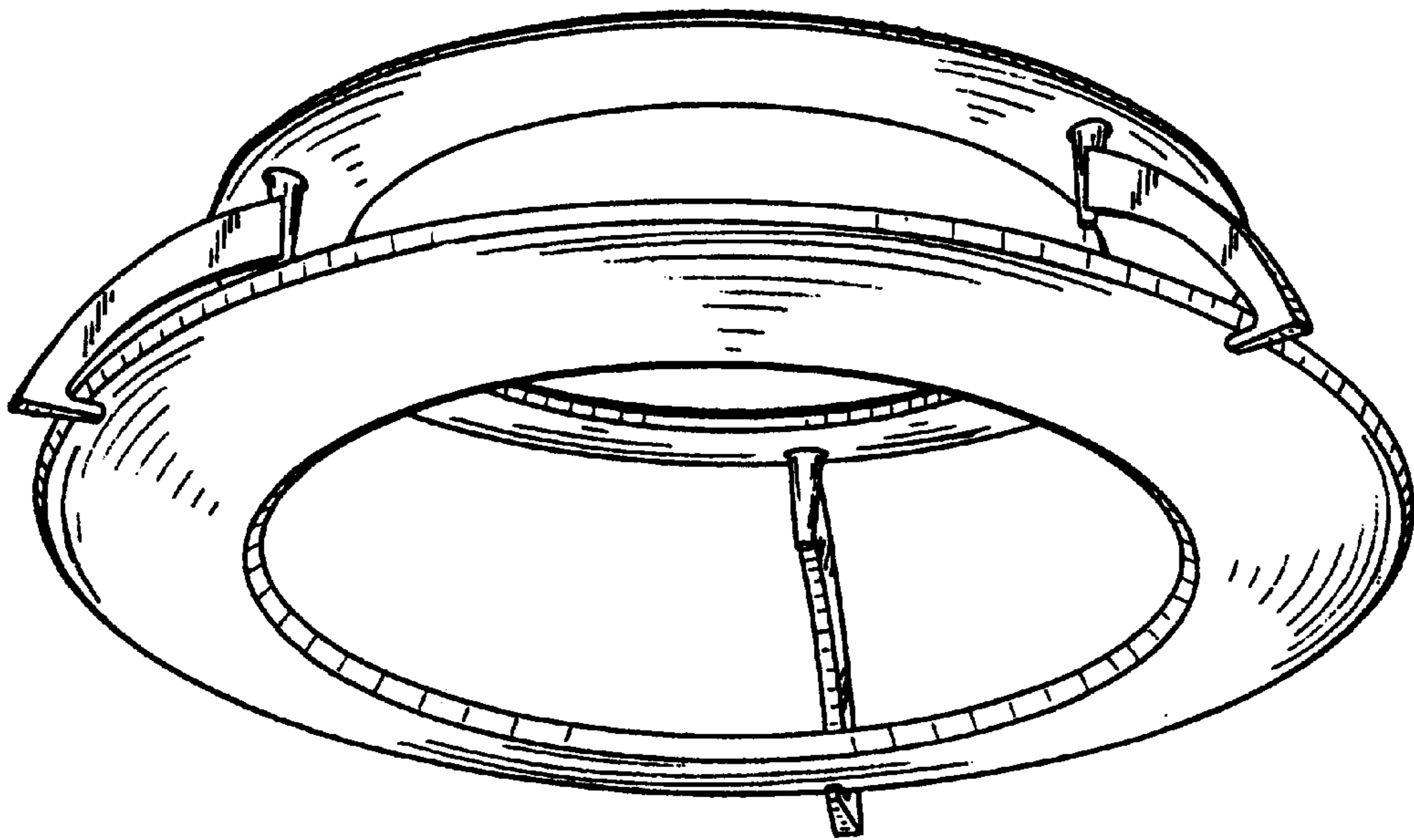


FIG. 6

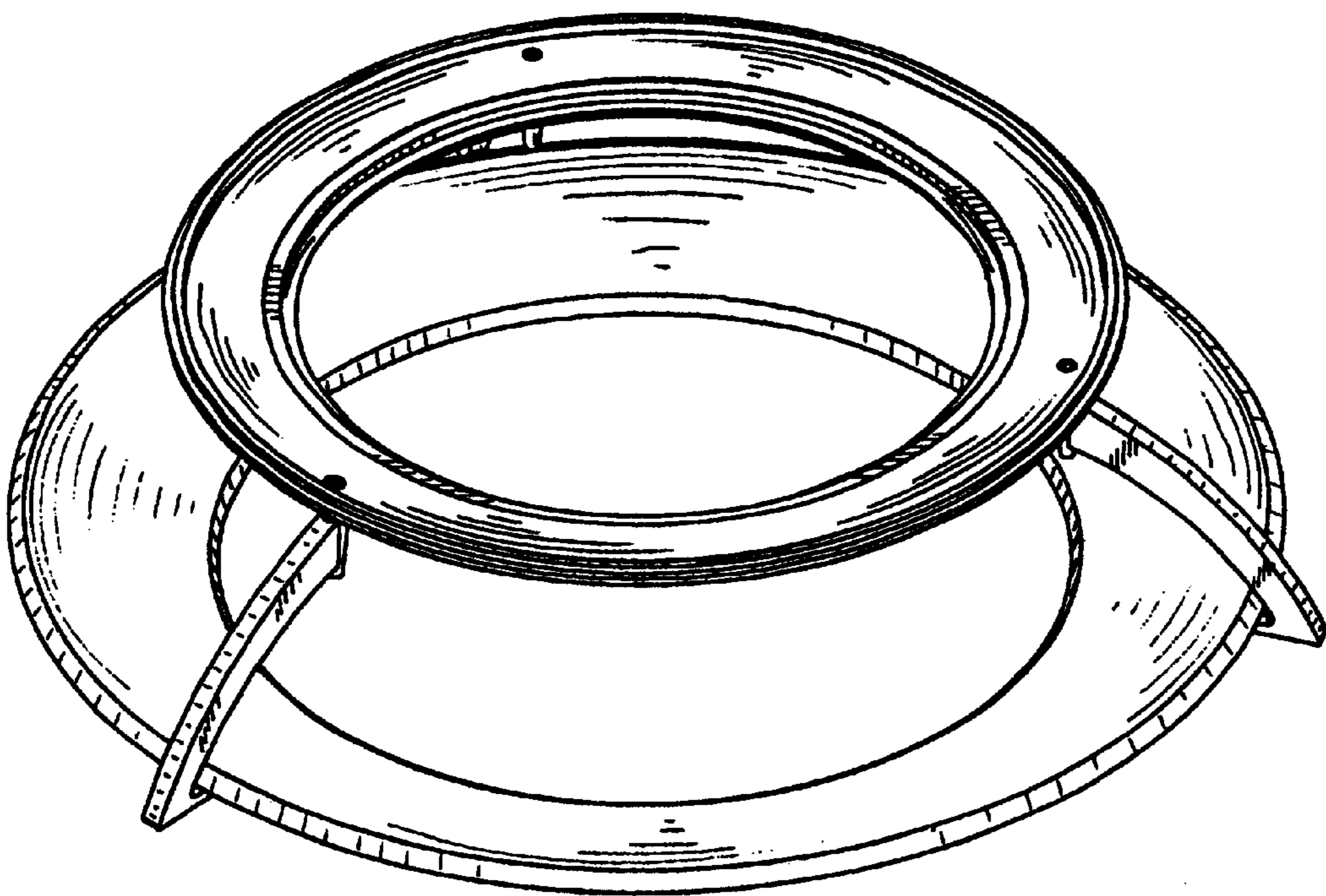


FIG. 7

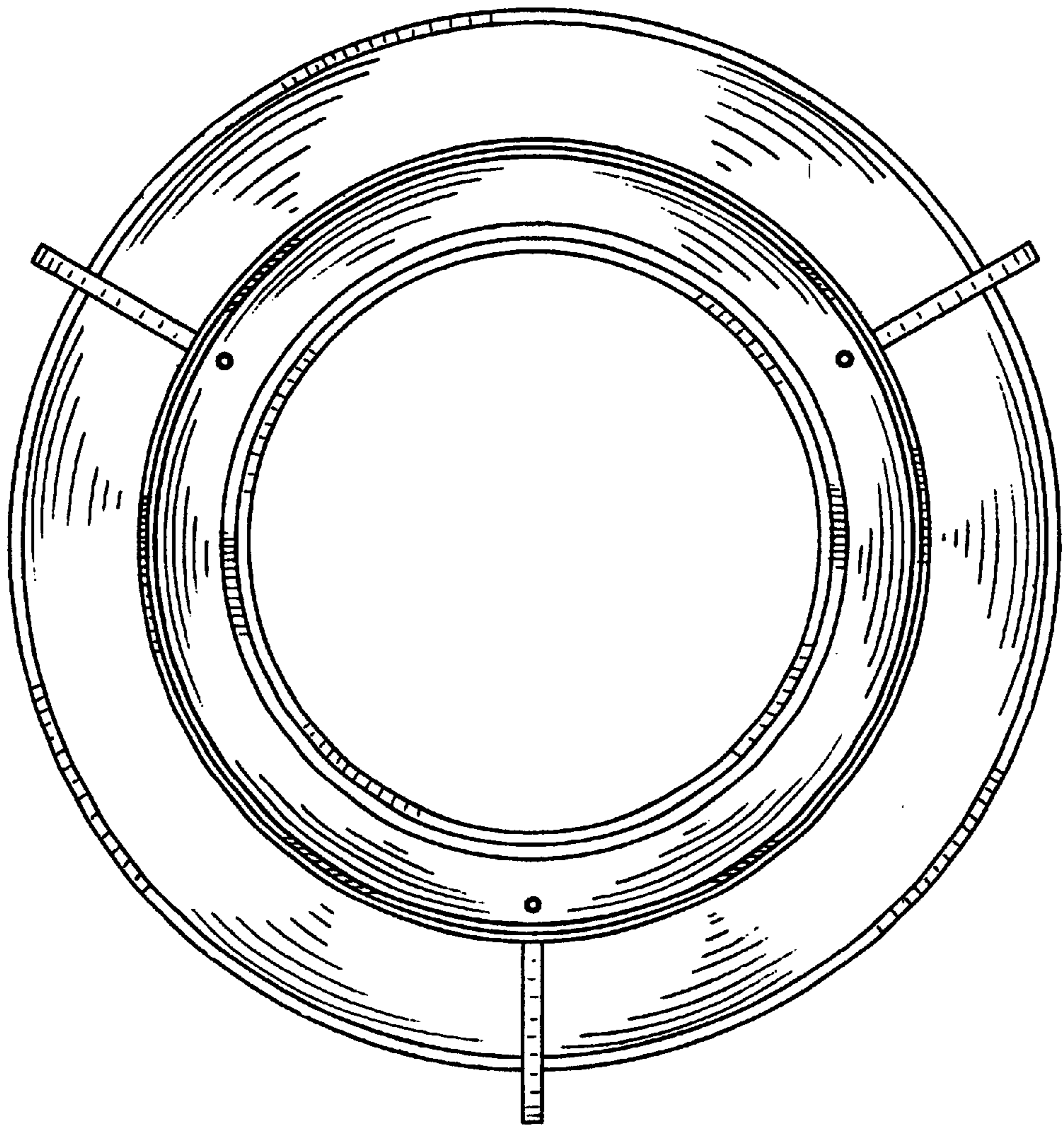


FIG. 8

