



US00D469206S

(12) **United States Design Patent**
Newhouse et al.

(10) **Patent No.:** **US D469,206 S**
(45) **Date of Patent:** **** Jan. 21, 2003**

(54) **LIGHT FIXTURE**

(75) Inventors: **Thomas J. Newhouse**, Grand Rapids, MI (US); **Ayse Birsal**, New York, NY (US)

(73) Assignee: **Herman Miller Inc.**, Zeeland, MI (US)

(**) Term: **14 Years**

(21) Appl. No.: **29/143,541**

(22) Filed: **Jun. 15, 2001**

(51) **LOC (7) Cl.** **26-03**

(52) **U.S. Cl.** **D26/92**

(58) **Field of Search** D26/72, 80, 83-92,
D26/67-71; 362/404-408, 147, 310, 326,
341, 346-353, 362, 363

(56) **References Cited**

U.S. PATENT DOCUMENTS

D40,219 S	*	8/1909	Pitner	D26/72
1,904,016 A	*	4/1933	Solum	362/147
D103,557 S	*	3/1937	Adams et al.	D26/145
3,277,292 A	*	10/1966	Horan	D26/87
4,527,225 A	*	7/1985	Hartman	362/362
D420,161 S	*	2/2000	Zuege	D26/84

FOREIGN PATENT DOCUMENTS

WO WO 00/21412 4/2000

* cited by examiner

Primary Examiner—Alan P. Douglas

Assistant Examiner—Clare E. Heflin

(74) *Attorney, Agent, or Firm*—Brinks Hofer Gilson & Lione

(57) **CLAIM**

We claim the ornamental design for a light fixture, as shown and described.

DESCRIPTION

FIG. 1 is a perspective view of the light fixture of the present invention with the remaining environment shown in phantom line for illustrative purposes only;

FIG. 2 is a side view of the light fixture of the present invention;

FIG. 3 is a top view of the light fixture of the present invention;

FIG. 4 is a bottom view of the light fixture of the present invention;

FIG. 5 is a front view of the light fixture of the present invention; and,

FIG. 6 is a rear view of the light fixture of the present invention.

1 Claim, 2 Drawing Sheets

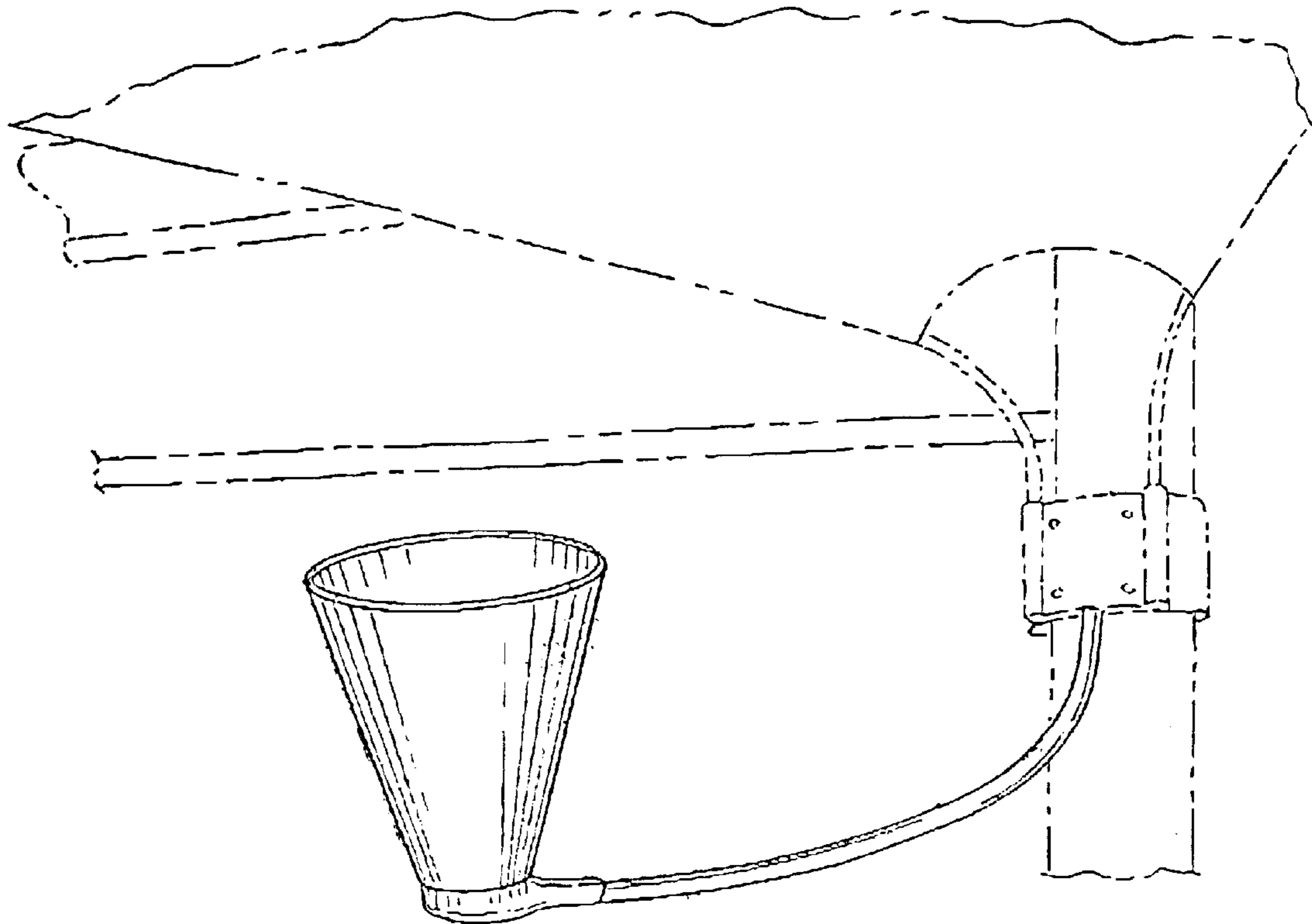


FIG. 1

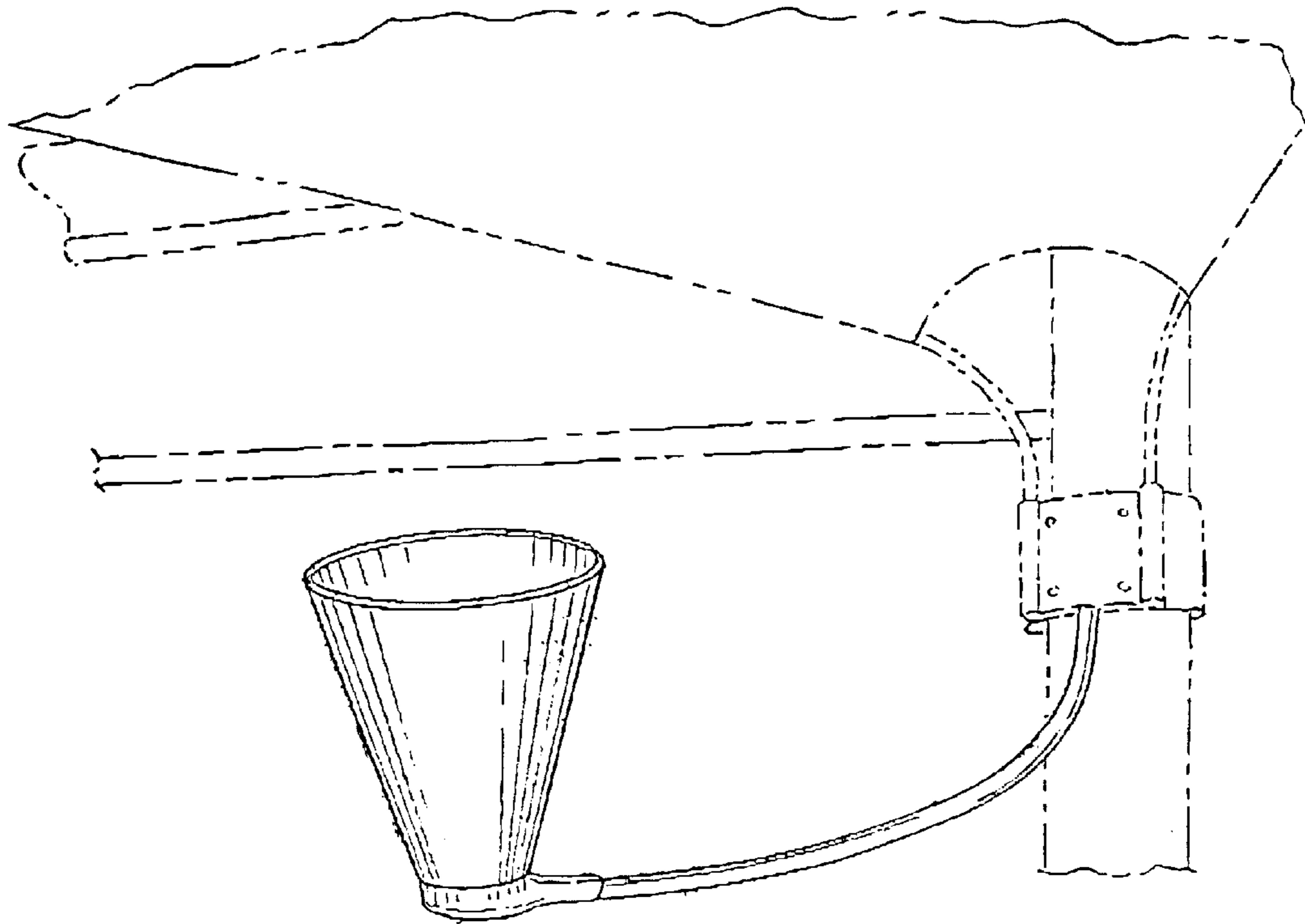
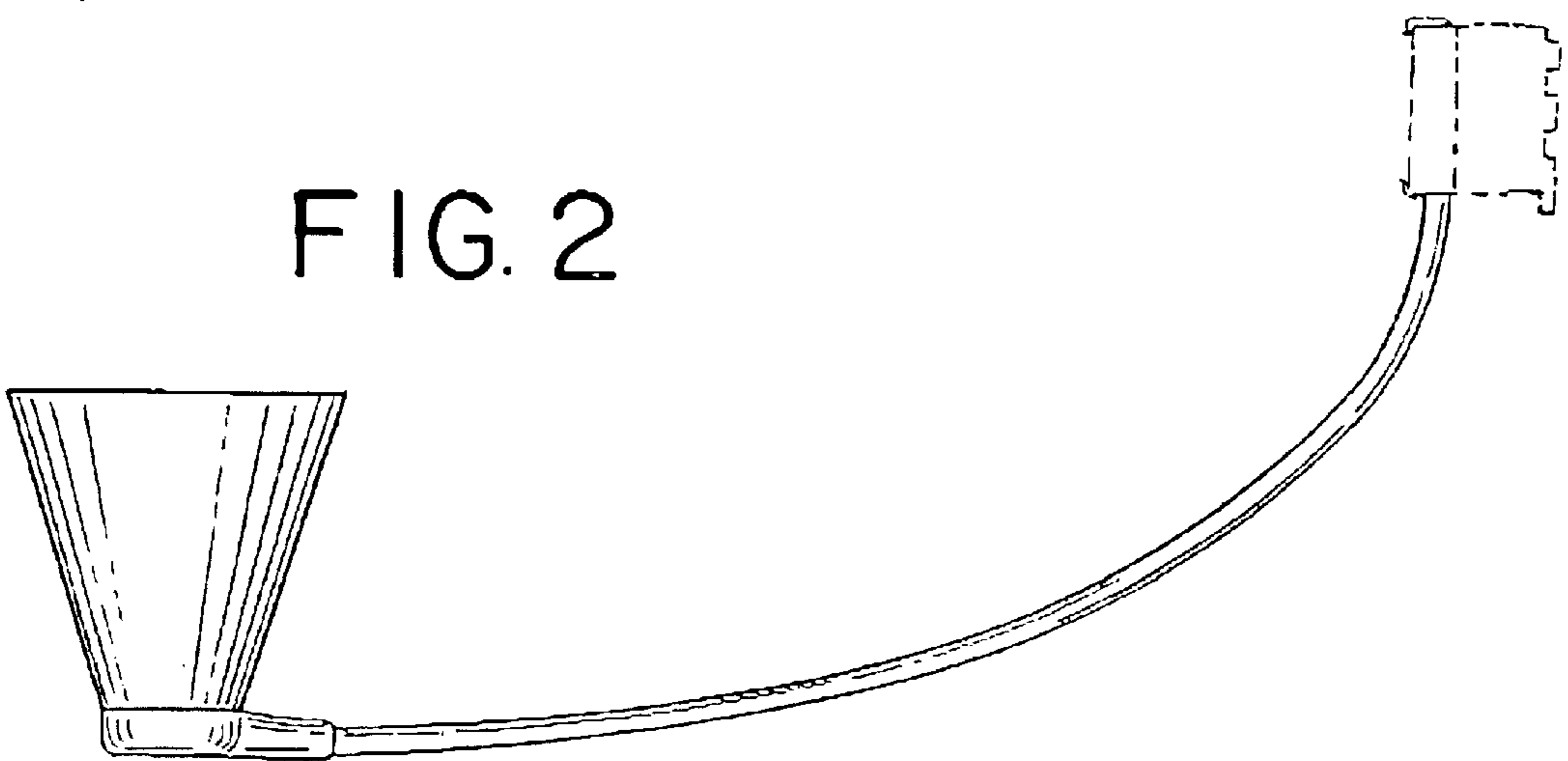


FIG. 2



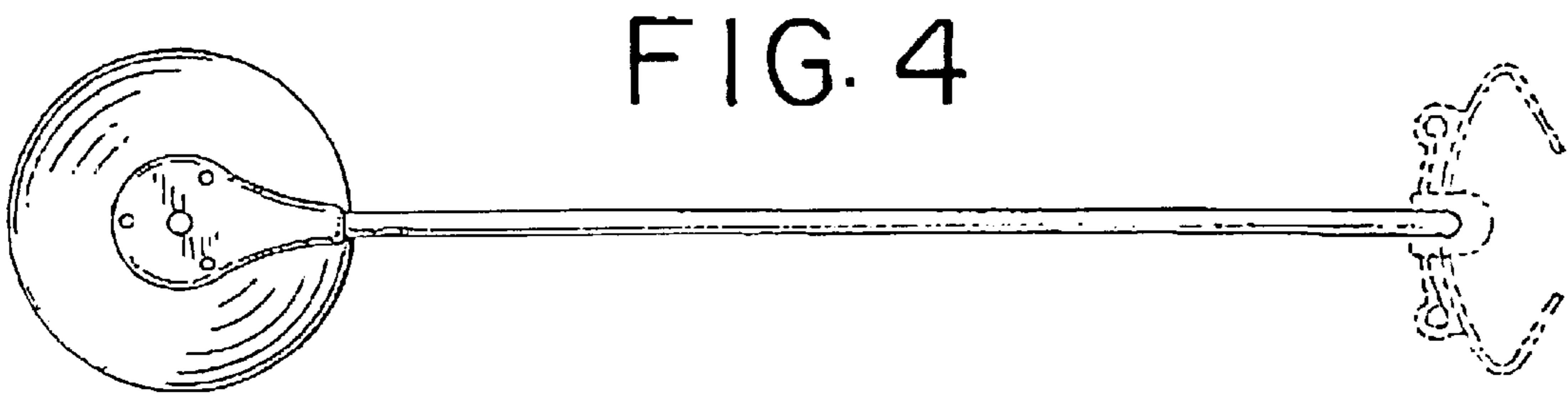
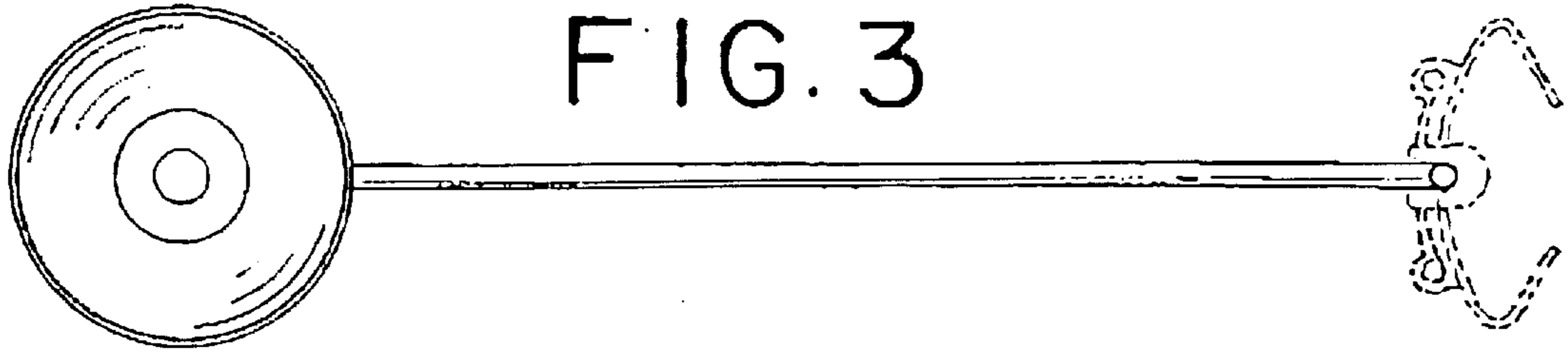


FIG. 5

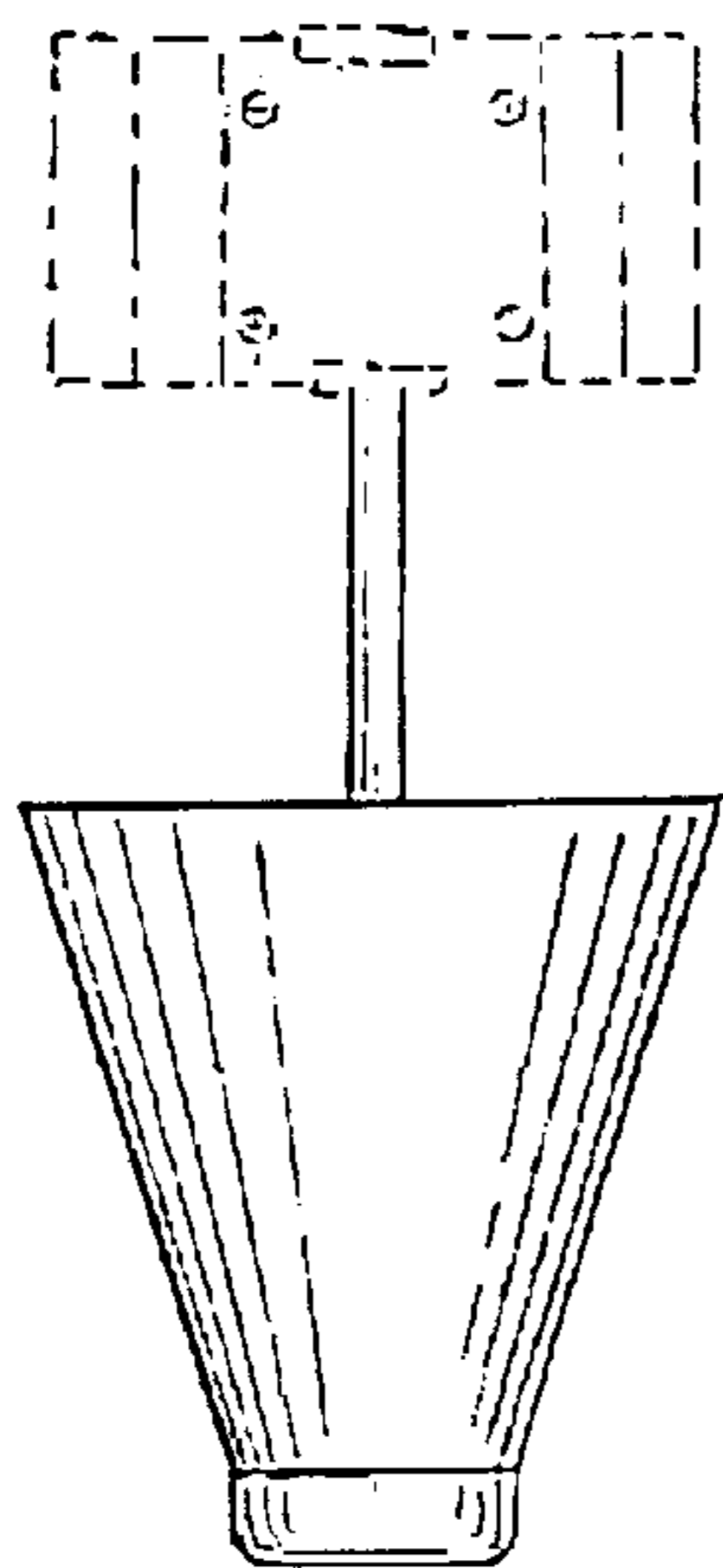


FIG. 6

