



US00D469204S

(12) **United States Design Patent**
DiPasquale

(10) **Patent No.:** **US D469,204 S**

(45) **Date of Patent:** **** Jan. 21, 2003**

(54) **LANDSCAPE LIGHTING FIXTURE**

(75) Inventor: **Charles J. DiPasquale**, Argyle, TX
(US)

(73) Assignee: **Smart Industries, Inc.**, Carrollton, TX
(US)

(**) Term: **14 Years**

(21) Appl. No.: **29/160,121**

(22) Filed: **May 3, 2002**

(51) **LOC (7) Cl.** **26-05**

(52) **U.S. Cl.** **D26/67**

(58) **Field of Search** D26/67-71; 362/72,
362/80, 85-87, 92, 153, 153.1, 183, 276,
404-408

(56) **References Cited**

U.S. PATENT DOCUMENTS

D409,780 S	*	5/1999	Maxwell	D26/67
D461,577 S	*	8/2002	Cheong	D26/67
D461,921 S	*	8/2002	Ellis	D26/67

* cited by examiner

Primary Examiner—Marcus A. Jackson

(74) *Attorney, Agent, or Firm*—Dennis T. Griggs

(57) **CLAIM**

The ornamental design for a landscape lighting fixture, as shown and described.

DESCRIPTION

FIG. 1 is a front elevational view of a landscape lighting fixture showing my new design, the rear elevational view being a mirror image thereof;

FIG. 2 is a right side elevational view thereof, the left side elevational view being a mirror image thereof;

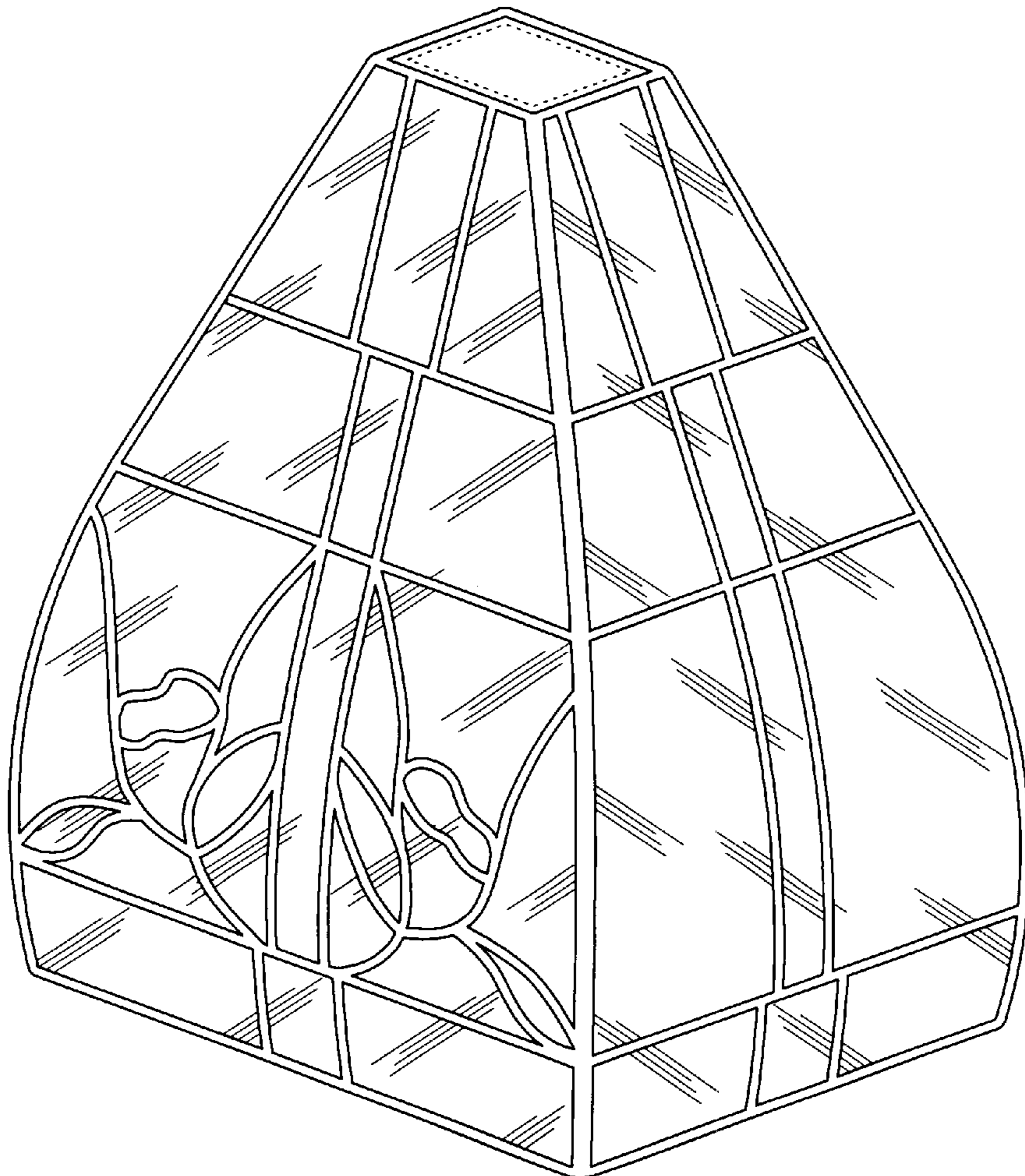
FIG. 3 is a top plan view thereof;

FIG. 4 is a perspective view thereof; and,

FIG. 5 is a front elevational view thereof.

The broken lines shown in FIG. 5 represent environmental subject matter and form no part of the claimed design. The dotted lines shown in FIG. 3 and FIG. 4 represent the border between claimed subject matter and unclaimed environmental subject matter and form no part of the claimed design.

1 Claim, 2 Drawing Sheets



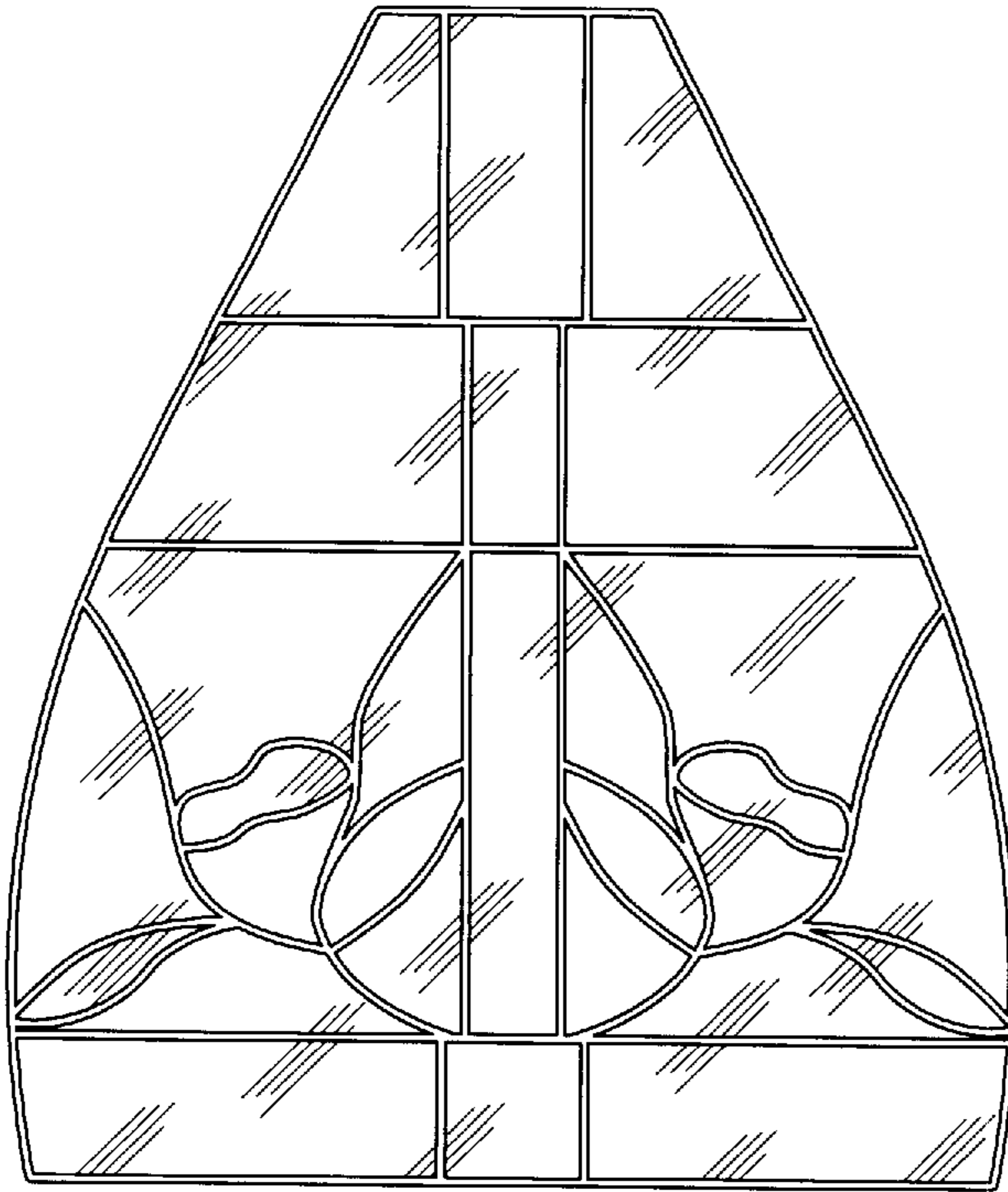


Fig.1

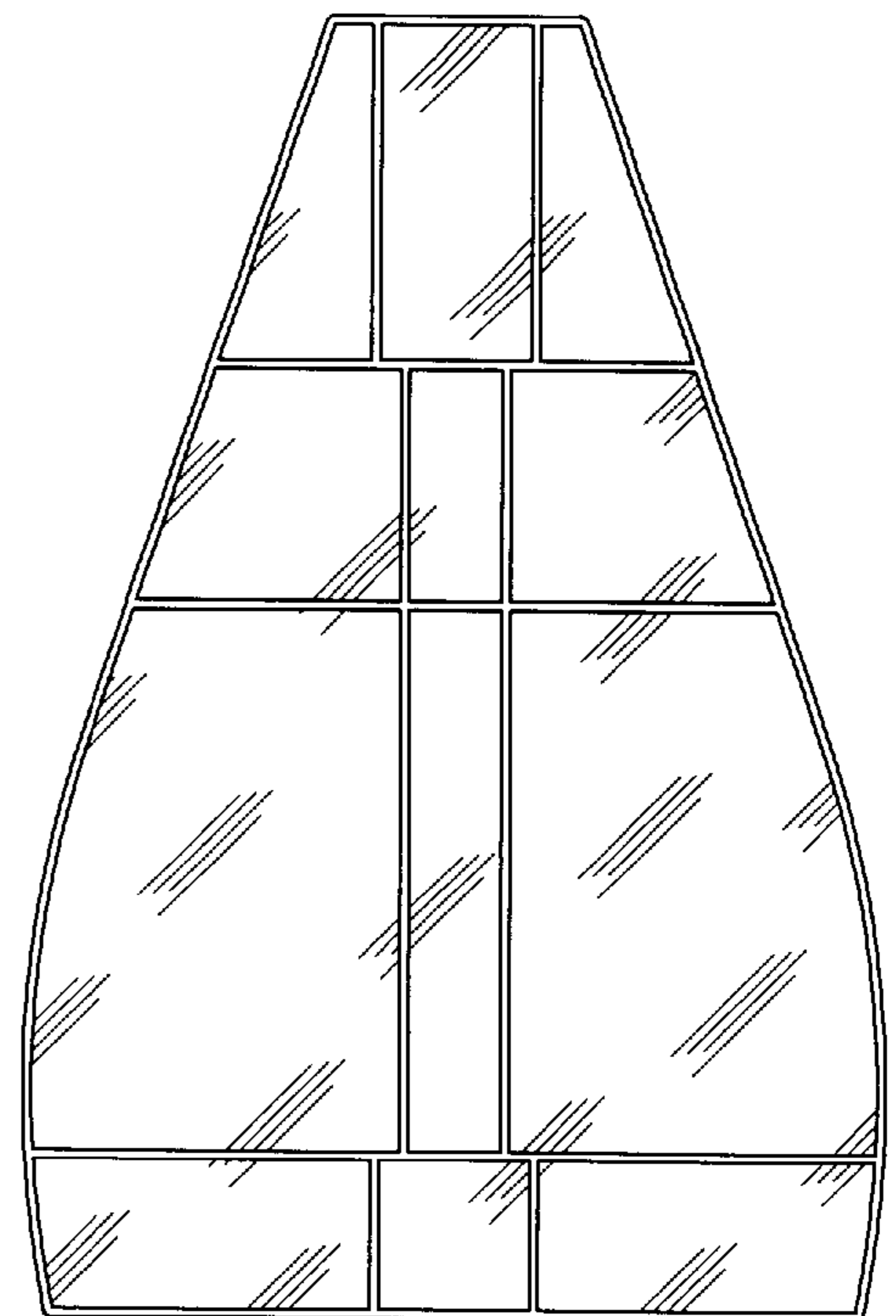


Fig.2

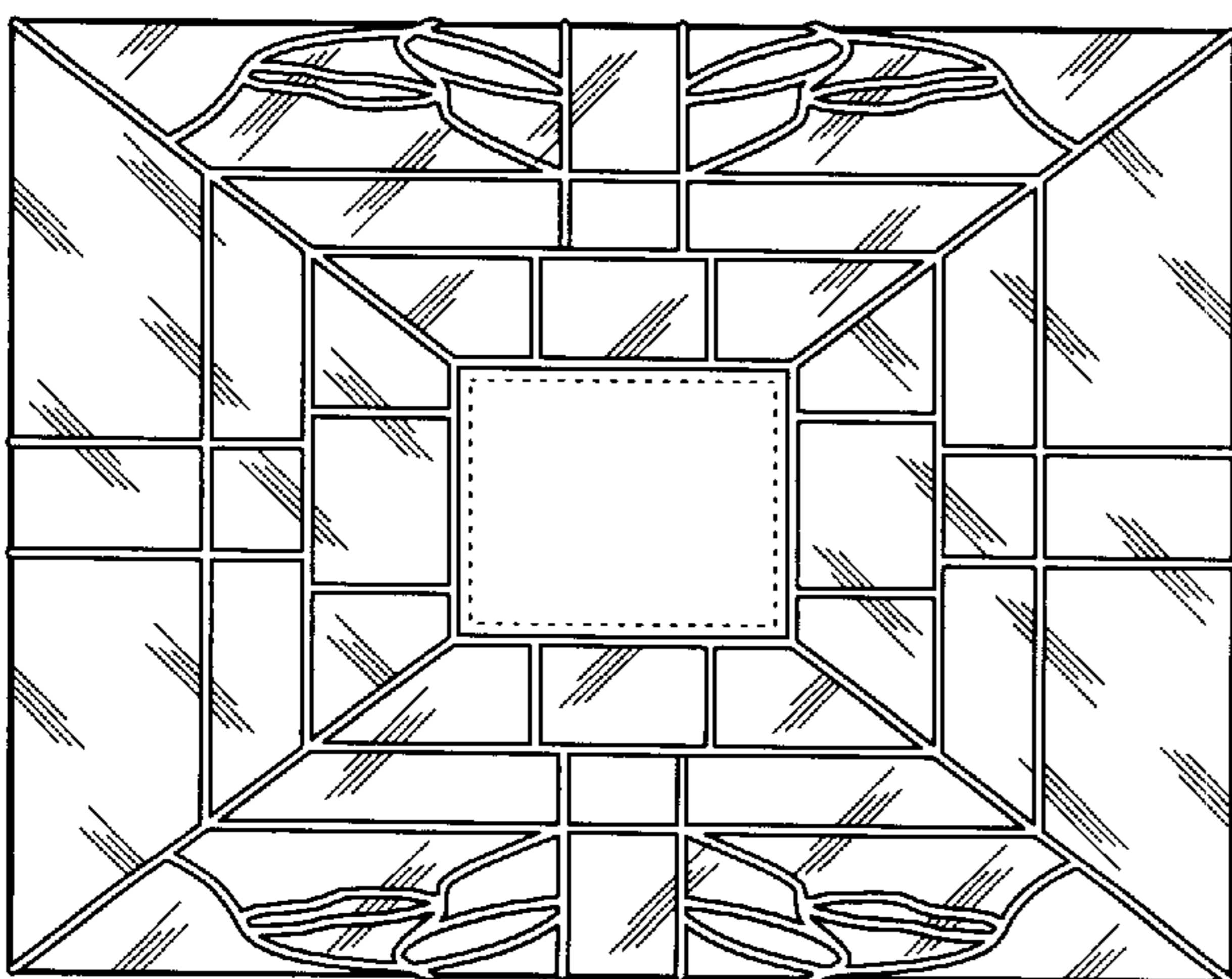


Fig.3

Fig.5

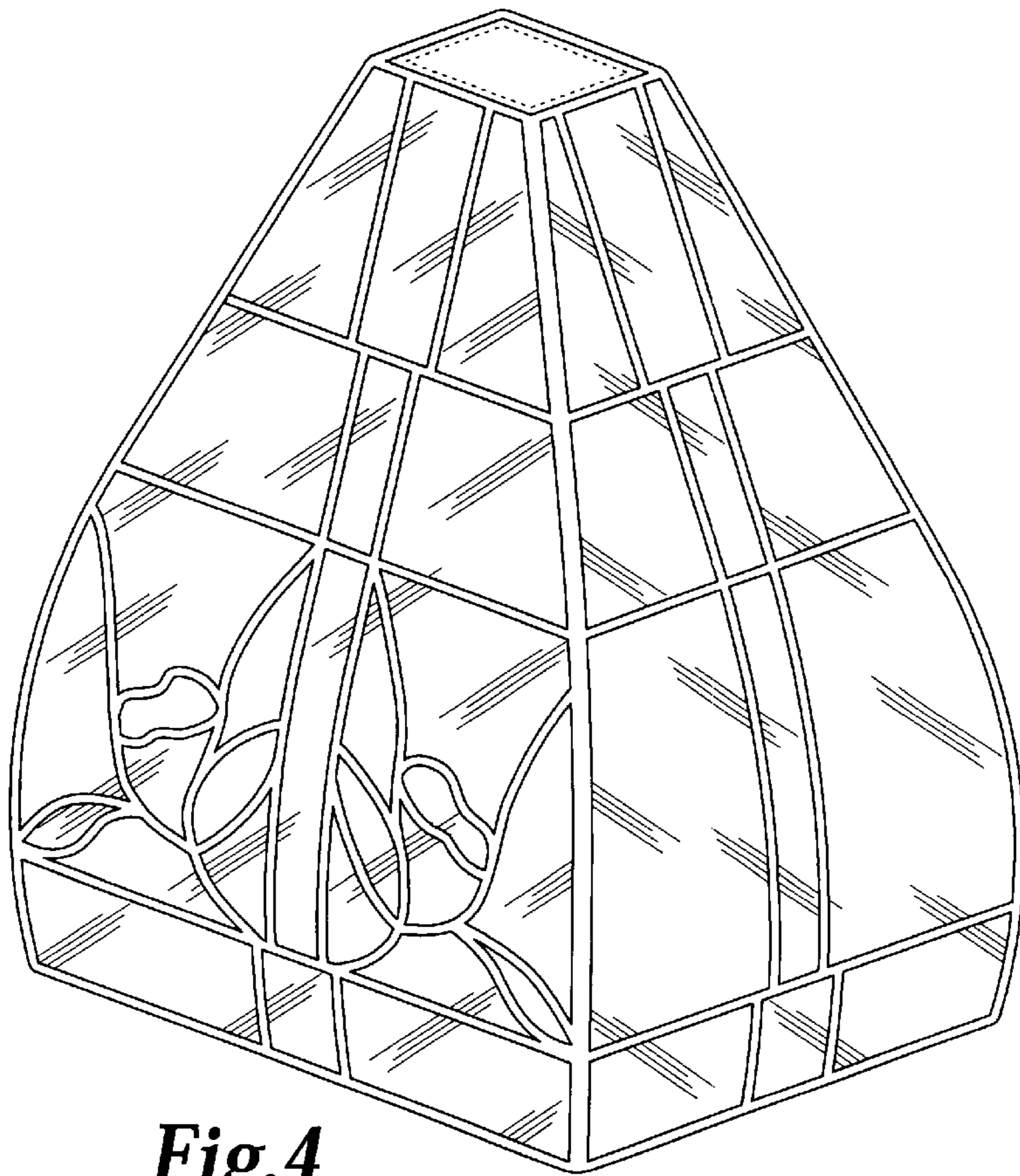
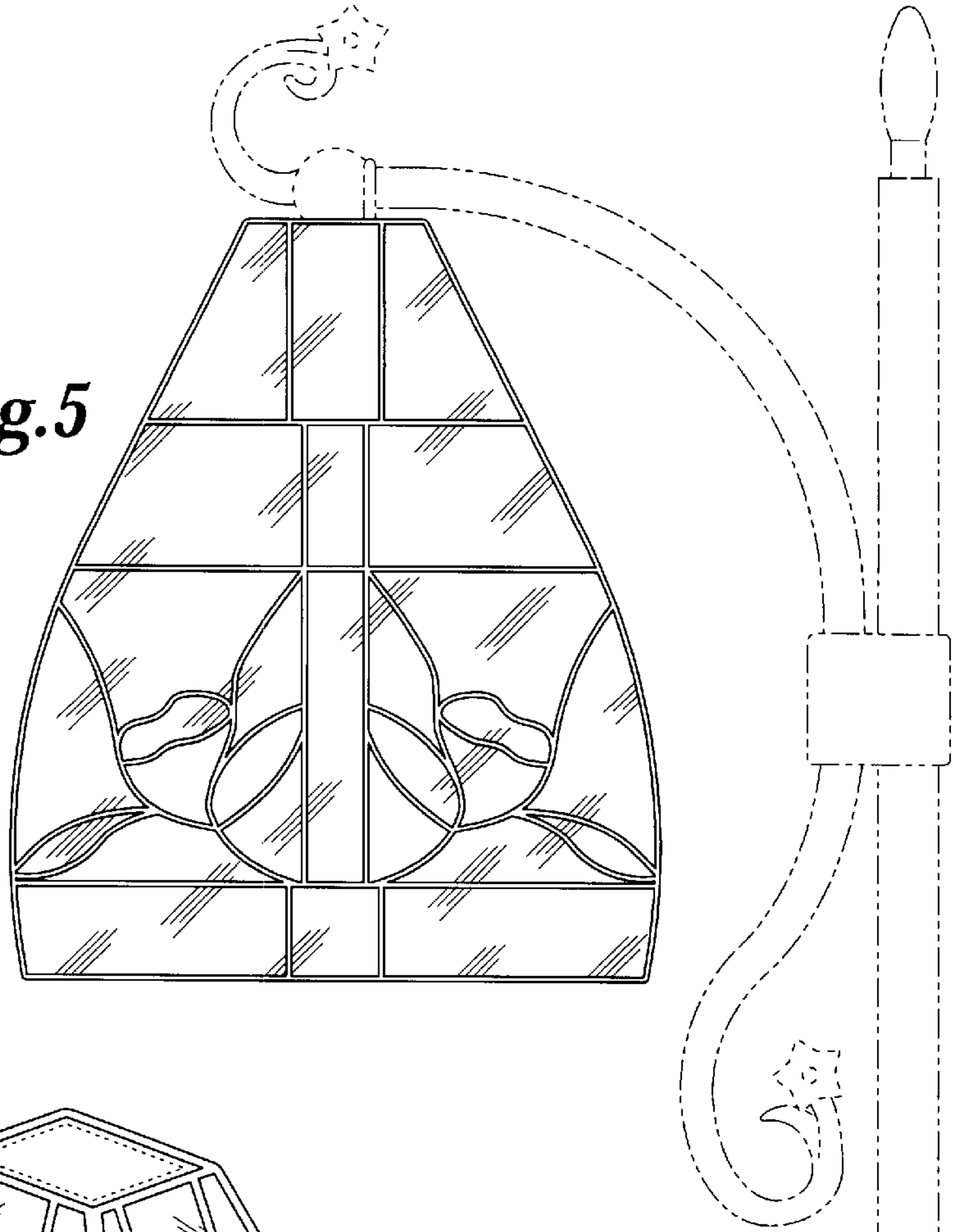


Fig.4