



US00D469200S

(12) **United States Design Patent**
Jong

(10) **Patent No.:** **US D469,200 S**

(45) **Date of Patent:** **** Jan. 21, 2003**

(54) **FLASHLIGHT**

D444,582 S * 7/2001 Poon D26/44

(75) Inventor: **Jung-Chang Jong**, Chungli (TW)

* cited by examiner

(73) Assignee: **Jenn Feng Industrial Co., Ltd.**,
Taoyuan (TW)

Primary Examiner—Marcus A. Jackson

(**) Term: **14 Years**

(57) **CLAIM**

The ornamental design for flashlight, as shown and described.

(21) Appl. No.: **29/160,266**

(22) Filed: **May 7, 2002**

DESCRIPTION

(51) **LOC (7) Cl.** **26-02**

FIG. 1 is a perspective view of flashlight showing my new design;

(52) **U.S. Cl.** **D26/44**

FIG. 2 is a front elevational view thereof;

(58) **Field of Search** D26/37-50; 362/157,
362/158, 171, 172, 173, 183-208

FIG. 3 is a rear elevational view thereof;

FIG. 4 is a left side elevational view thereof;

FIG. 5 is right side elevational view thereof;

FIG. 6 is a top view thereof; and,

FIG. 7 is a bottom view thereof.

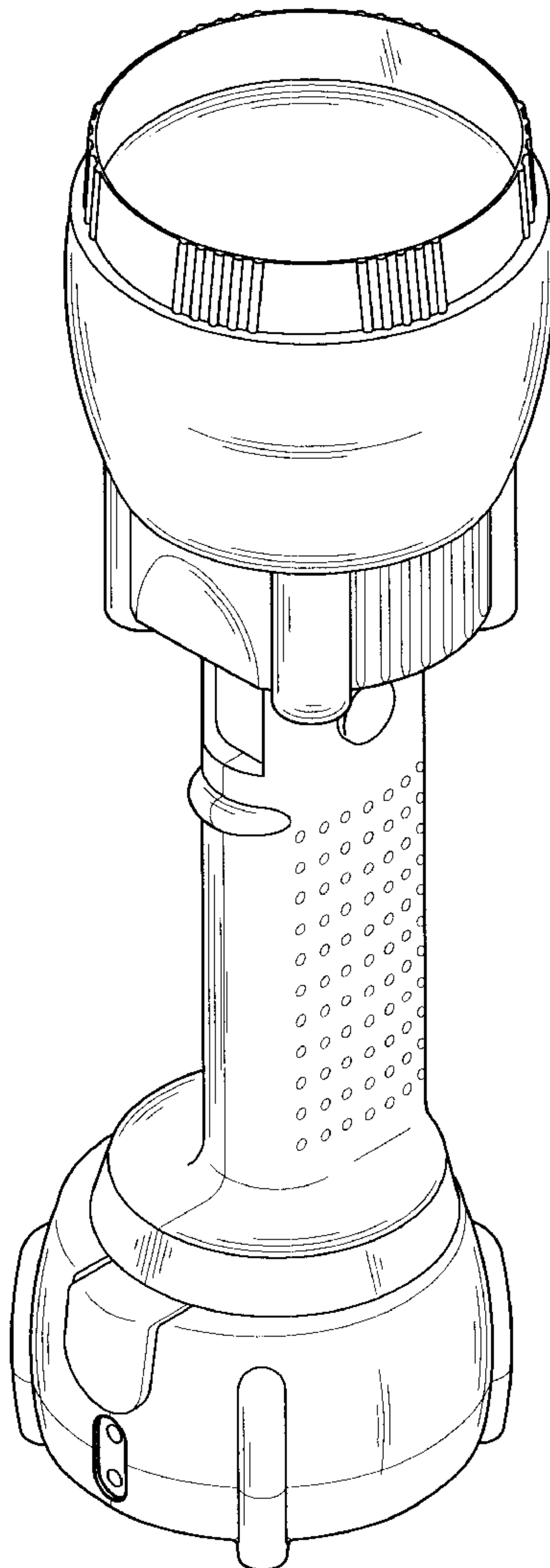
(56) **References Cited**

U.S. PATENT DOCUMENTS

D375,570 S * 11/1996 Hayakawa et al. D26/44

D428,175 S * 7/2000 Lynch et al. D26/44

1 Claim, 7 Drawing Sheets



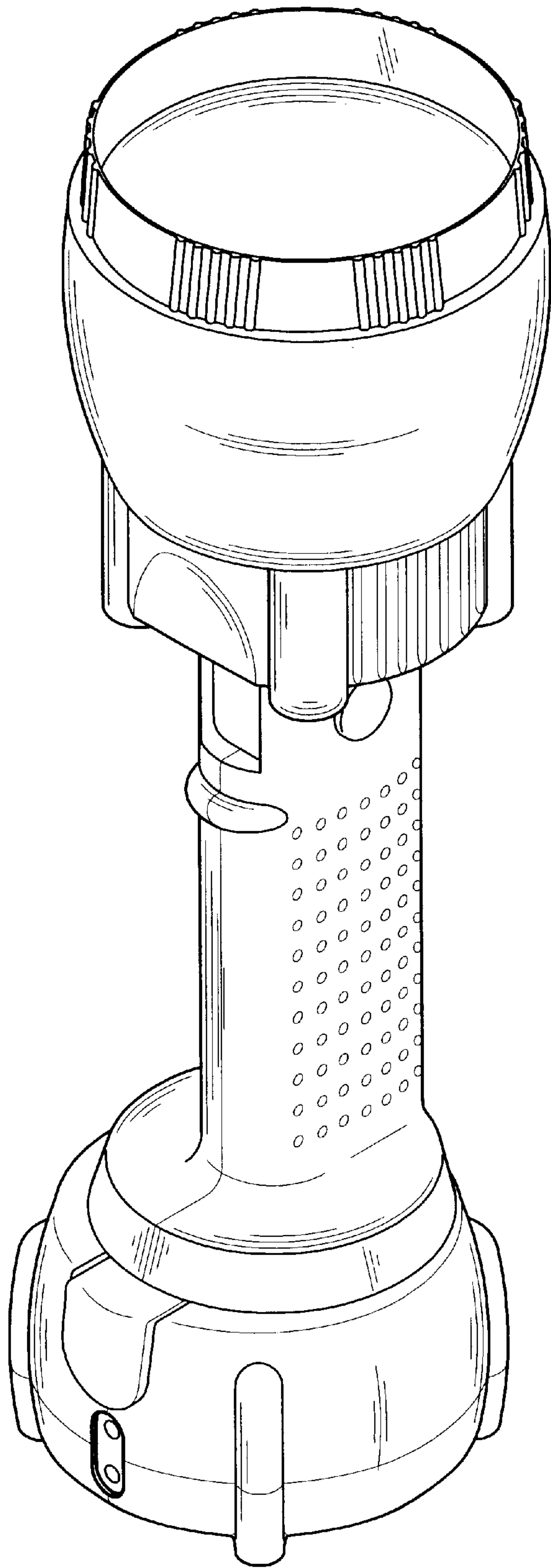


FIG. 1

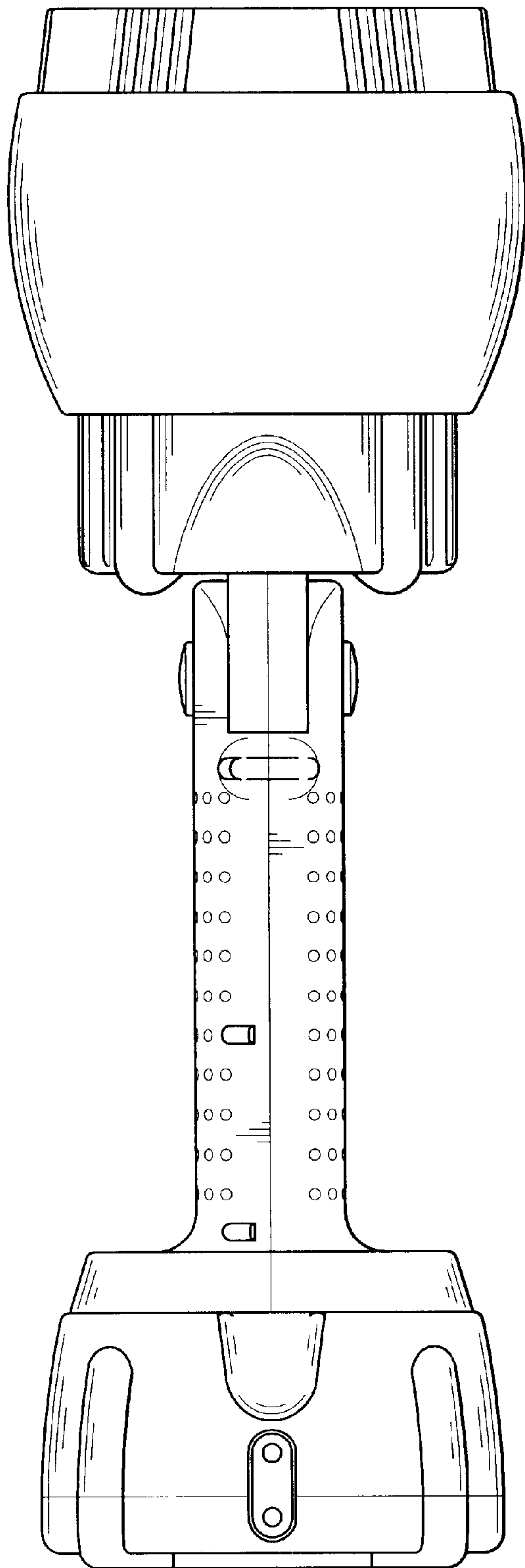


FIG. 2

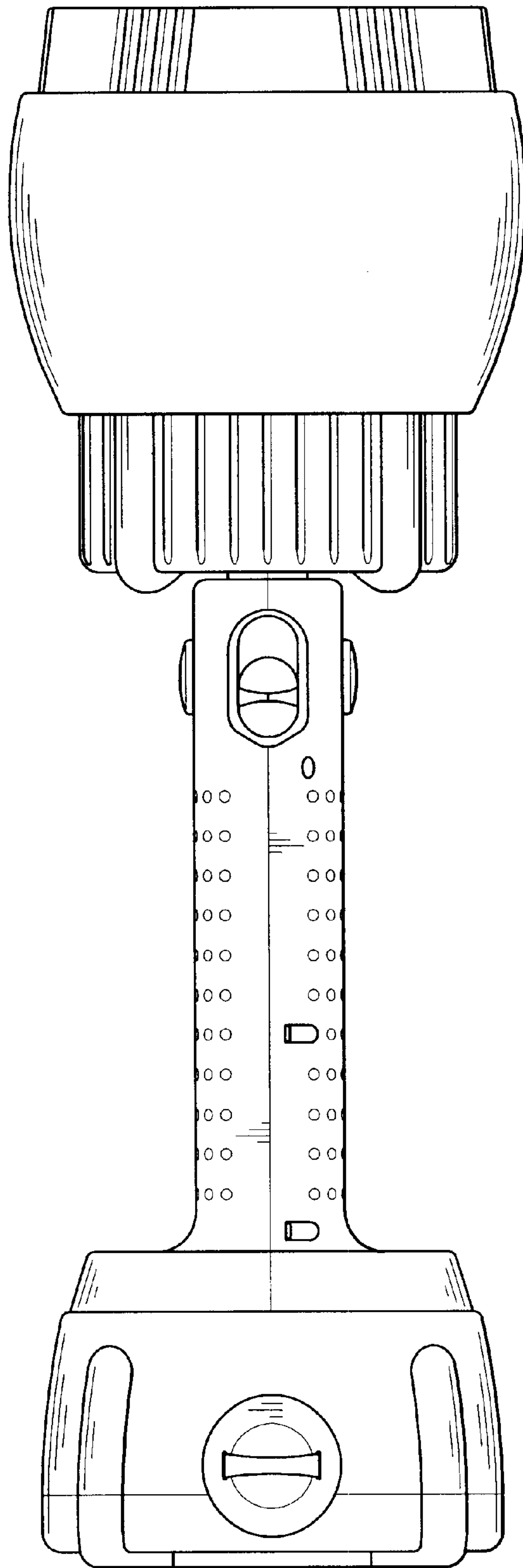


FIG. 3

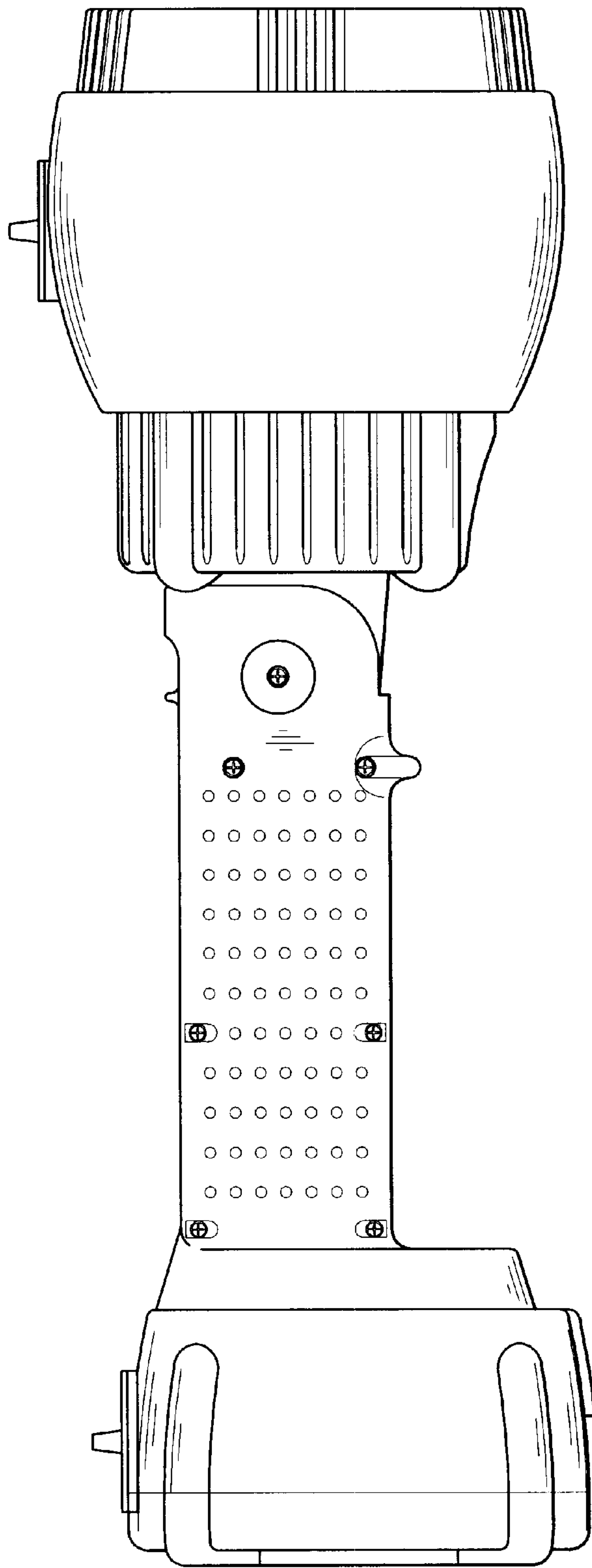


FIG. 4

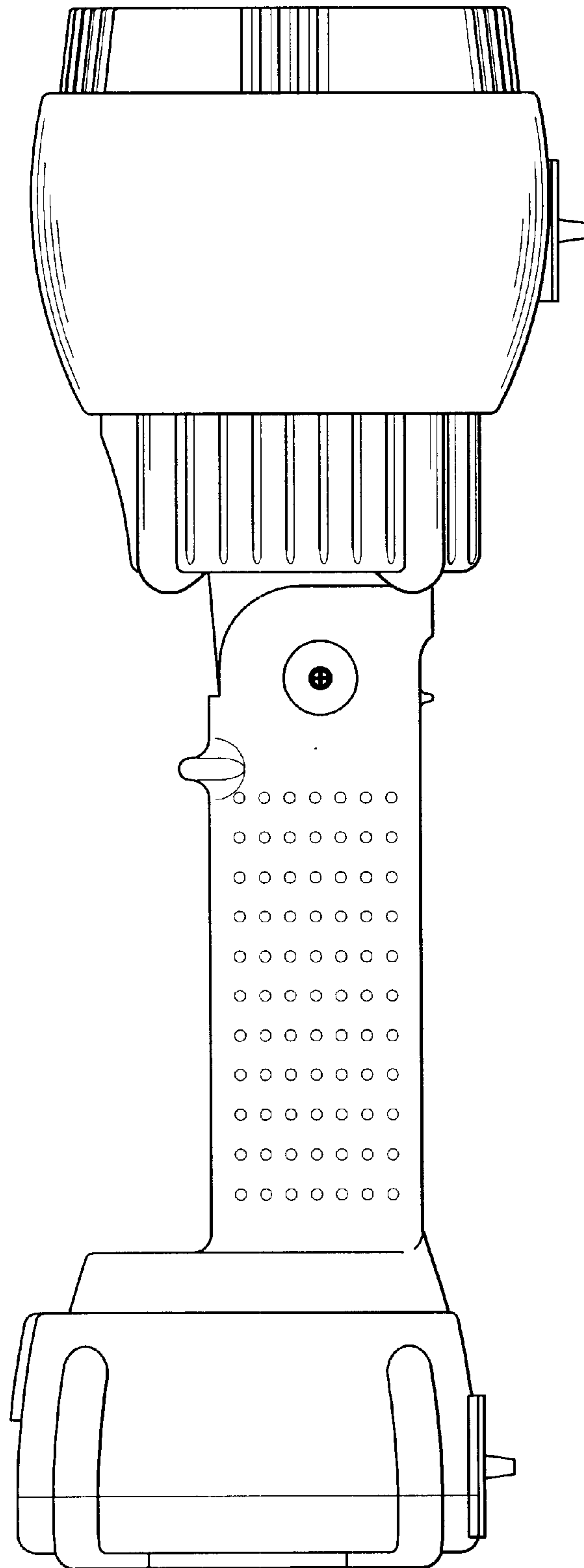


FIG. 5

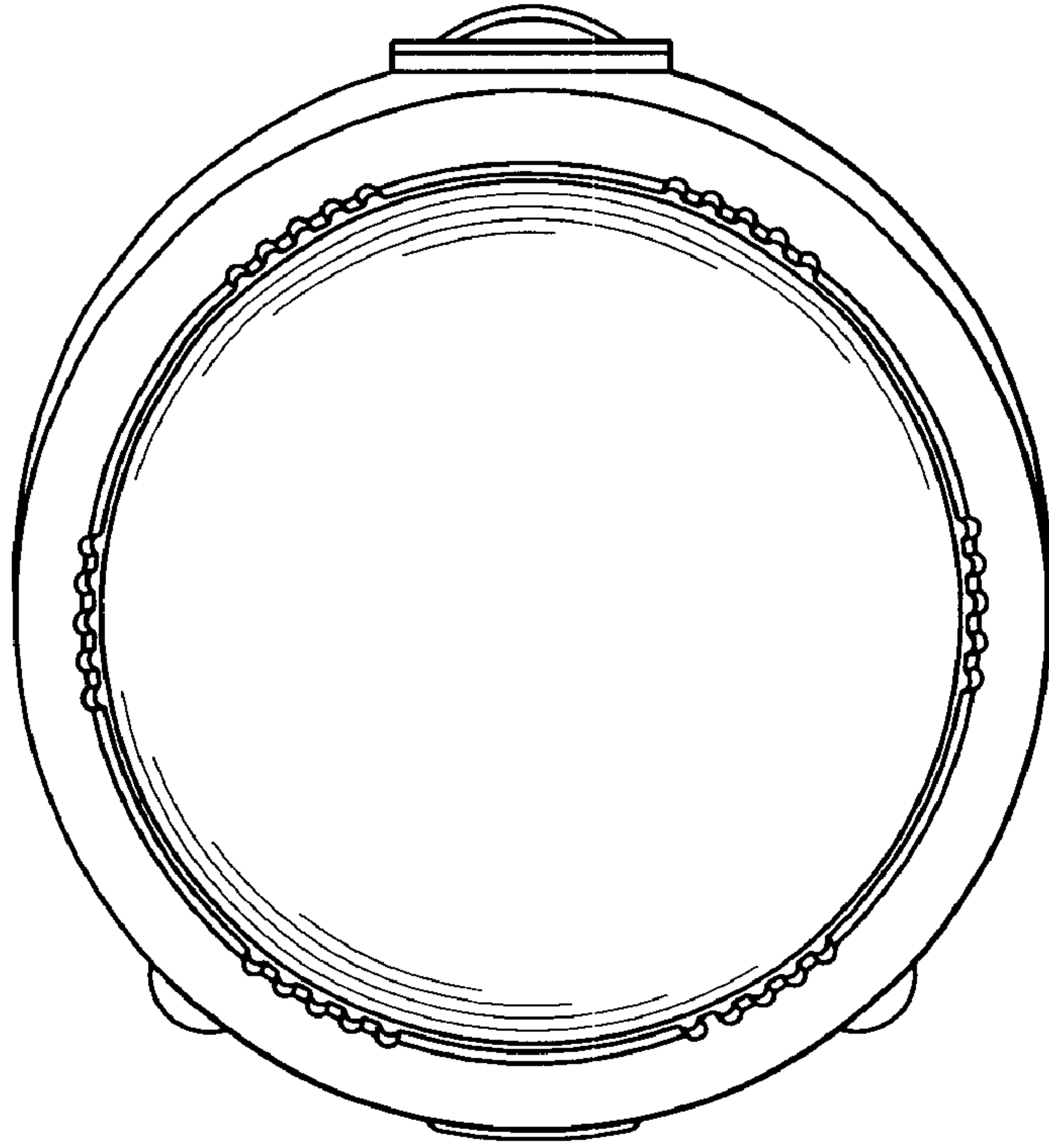


FIG. 6

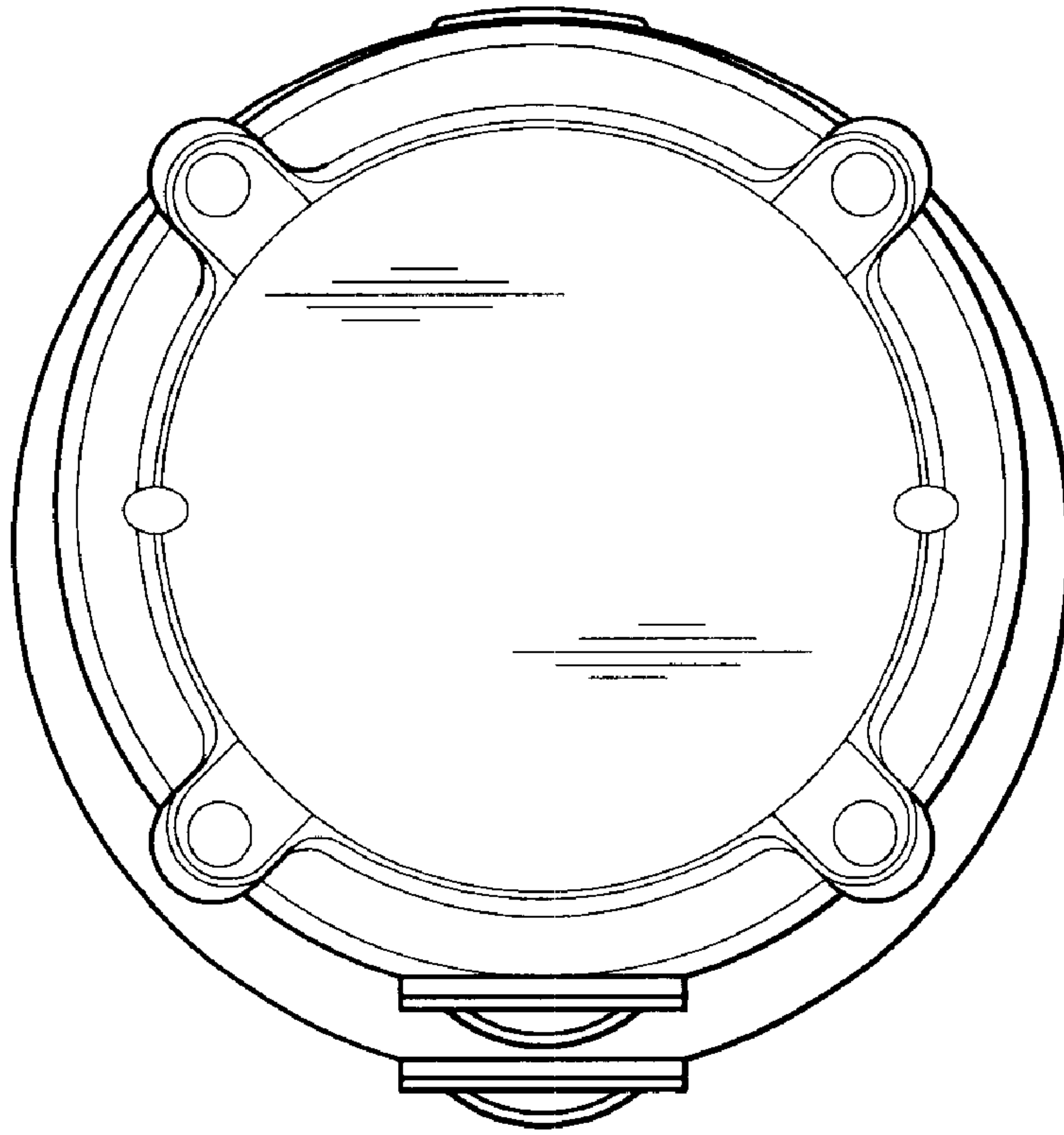


FIG. 7