



US00D469199S

(12) **United States Design Patent**
Krieger et al.

(10) **Patent No.:** **US D469,199 S**

(45) **Date of Patent:** **** Jan. 21, 2003**

(54) **TIFFANY STYLE LAMP**

D443,088 S * 5/2001 Skidmore et al. D26/40

(75) Inventors: **Michael Krieger**, Miami Beach, FL
(US); **Kevin Ellsworth**, Hollywood, FL
(US)

* cited by examiner

Primary Examiner—Marcus A. Jackson

(74) *Attorney, Agent, or Firm*—Venable; Robert Kinberg

(73) Assignee: **Vector Products, Inc.**, Ft. Lauderdale,
FL (US)

(57) **CLAIM**

(**) Term: **14 Years**

The ornamental design for a Tiffany style lamp, as shown and described.

(21) Appl. No.: **29/156,567**

DESCRIPTION

(22) Filed: **Mar. 5, 2002**

FIG. 1 is a top-front-right perspective view of the Tiffany style lamp showing our new design;

(51) **LOC (7) Cl.** **26-02**

FIG. 2 is a front view of the design shown in FIG. 1;

(52) **U.S. Cl.** **D26/40**

FIG. 3 is a back view of the design shown in FIG. 1;

(58) **Field of Search** D26/37-50; 362/157,
362/158, 171, 172, 173, 183-208

FIG. 4 is a right side view of the design shown in FIG. 1;

FIG. 5 is a left side view of the design shown in FIG. 1;

FIG. 6 is a top view of the design shown in FIG. 1; and,

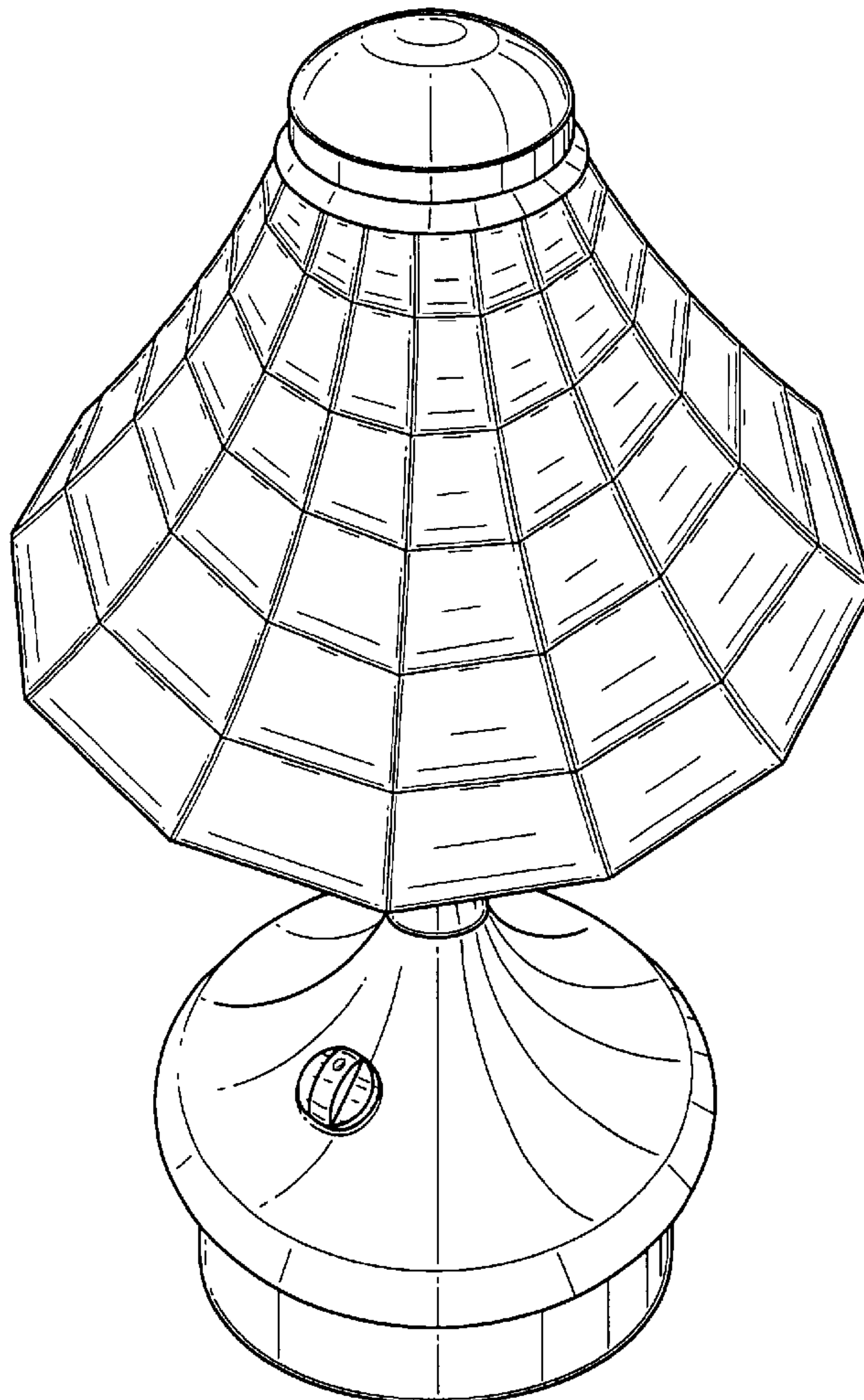
FIG. 7 is a bottom view of the design shown in FIG. 1.

(56) **References Cited**

U.S. PATENT DOCUMENTS

D429,354 S * 8/2000 Petterson D26/40

1 Claim, 6 Drawing Sheets



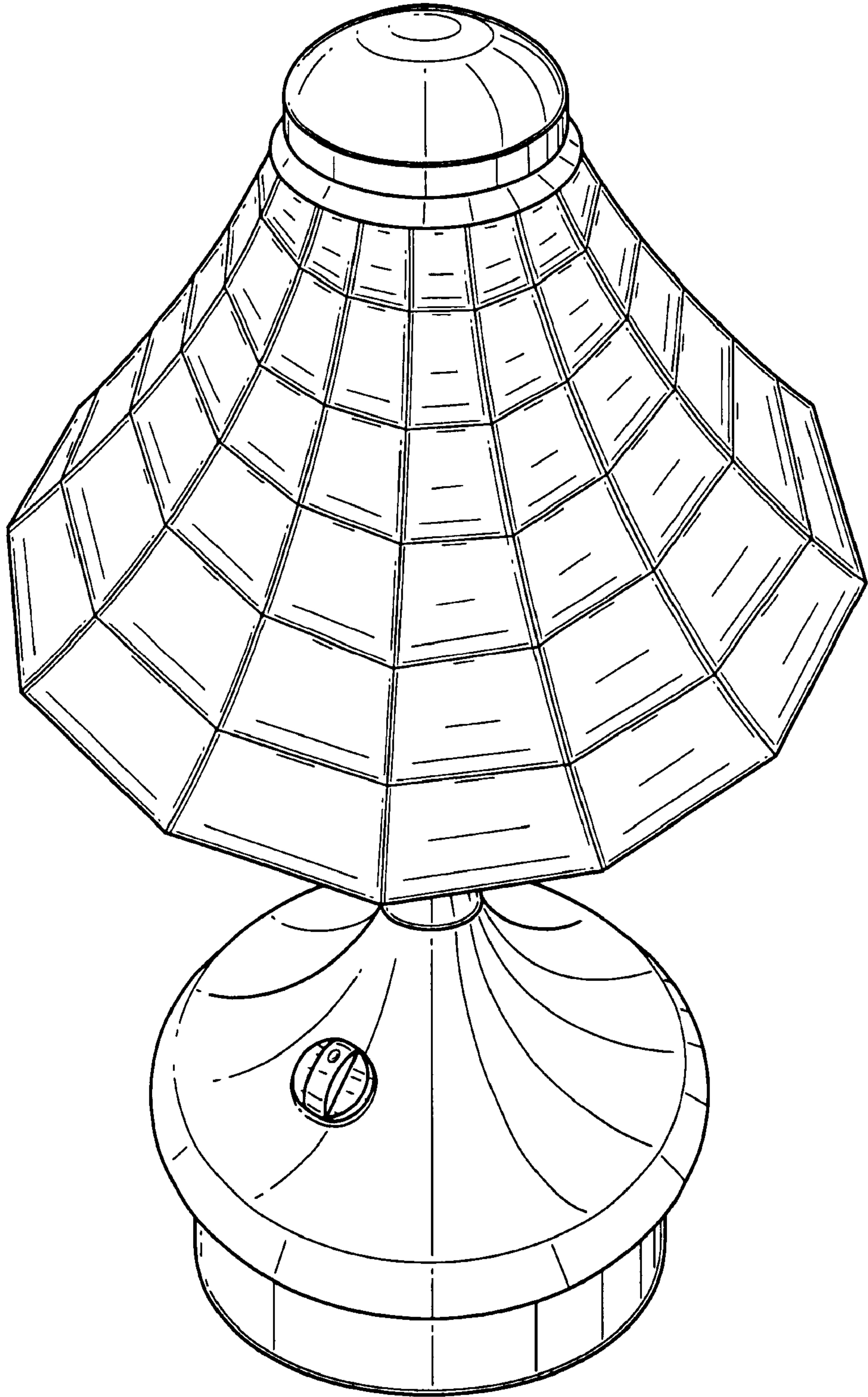


FIG. 1

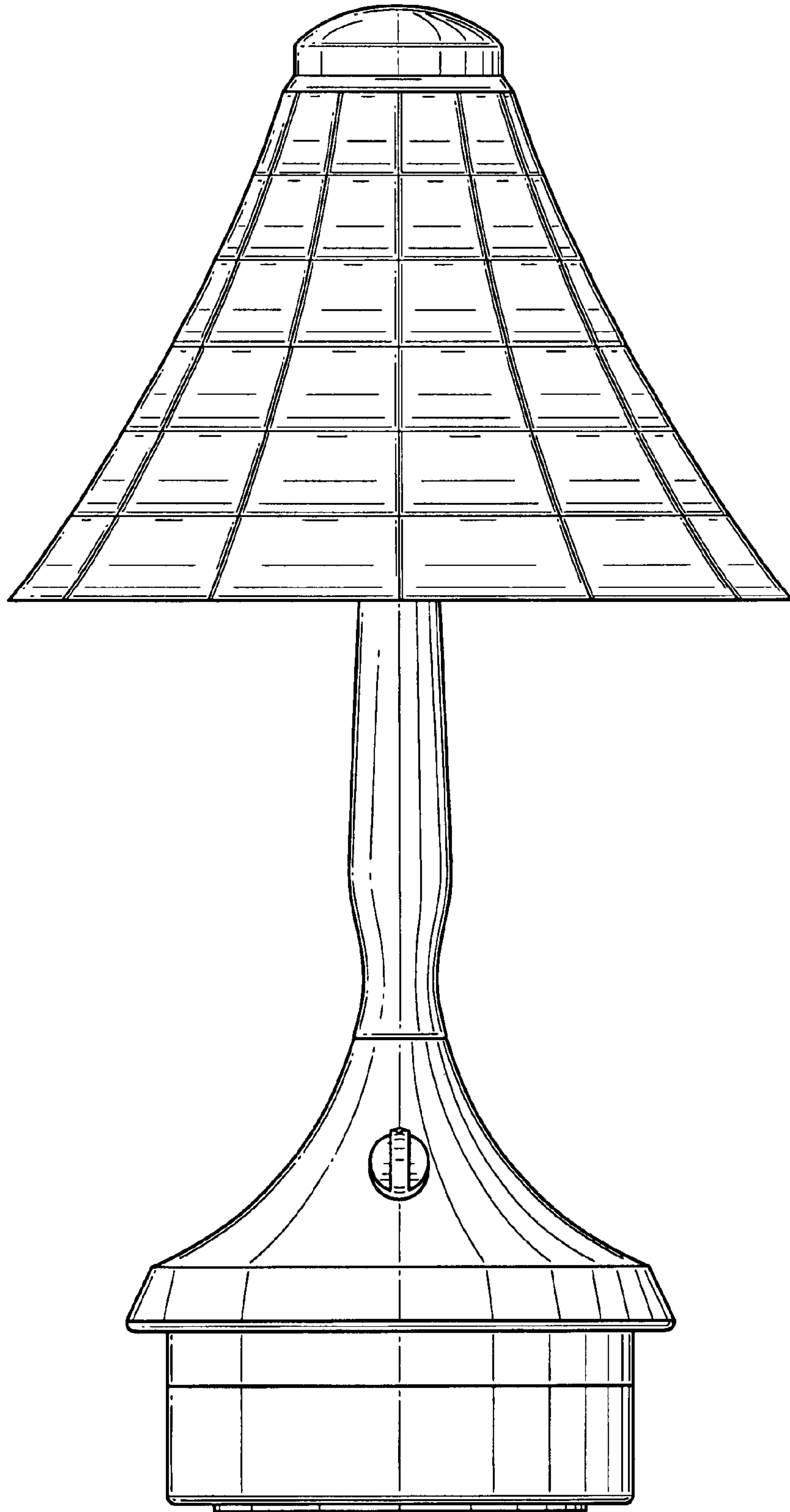


FIG. 2

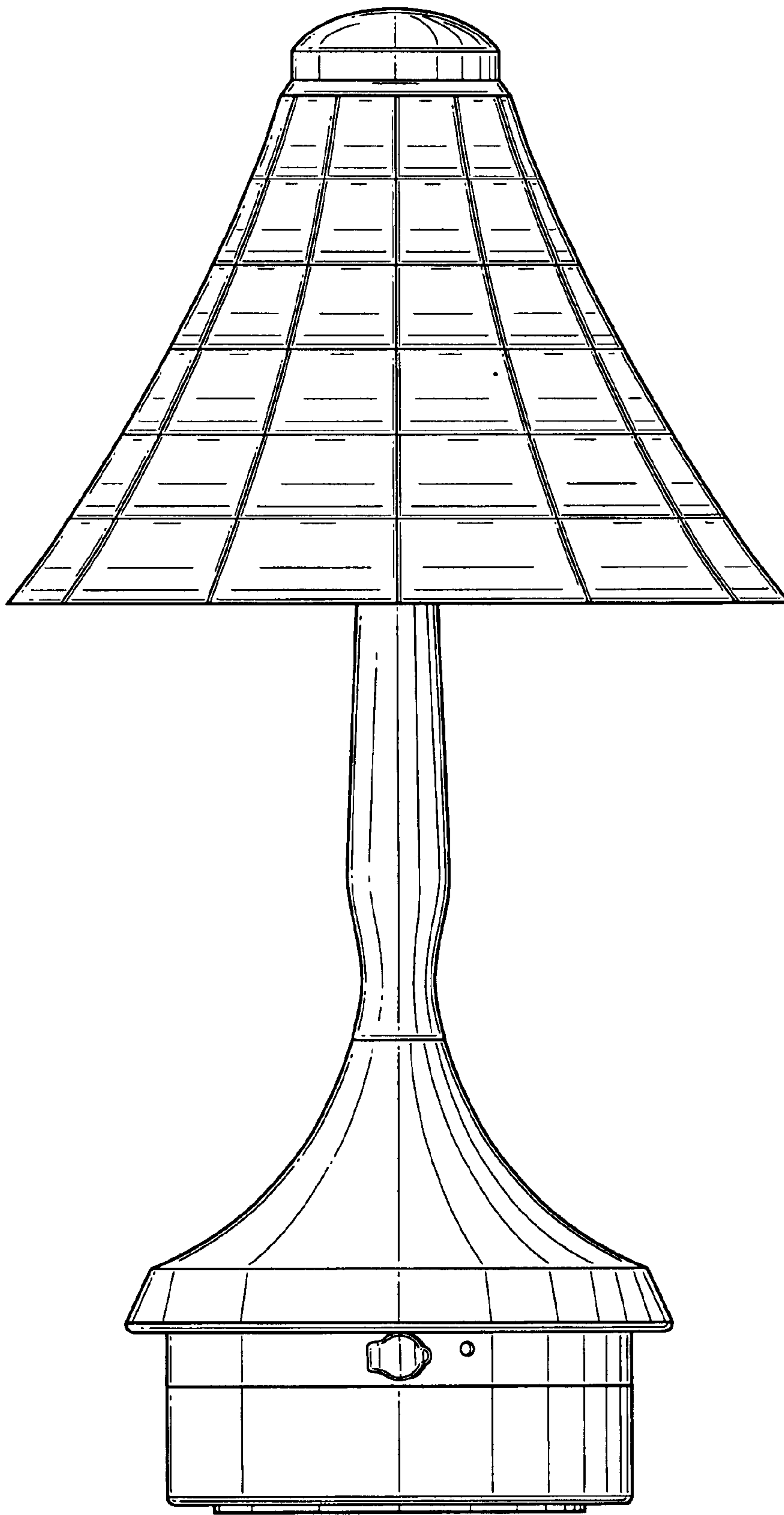


FIG. 3

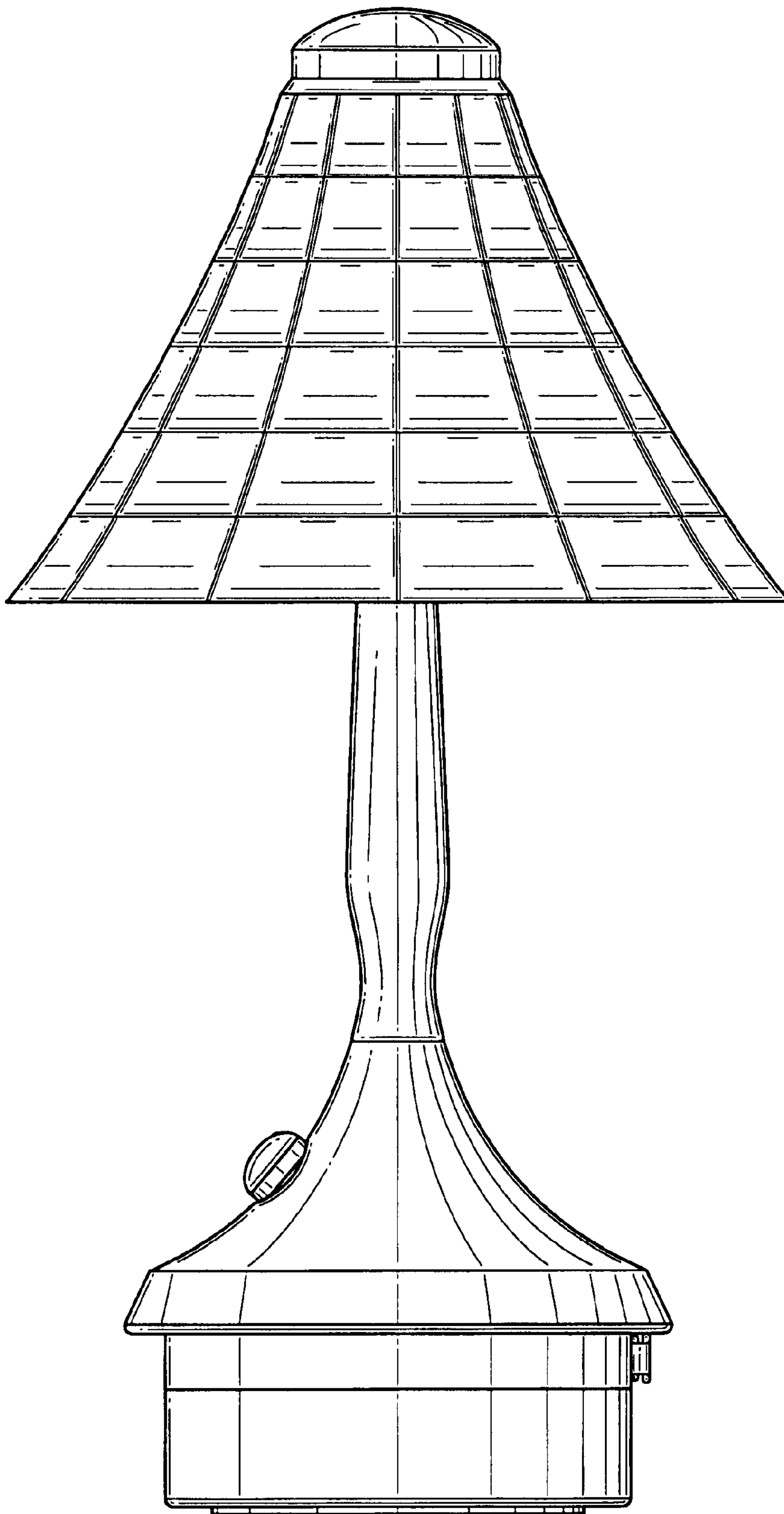


FIG. 4

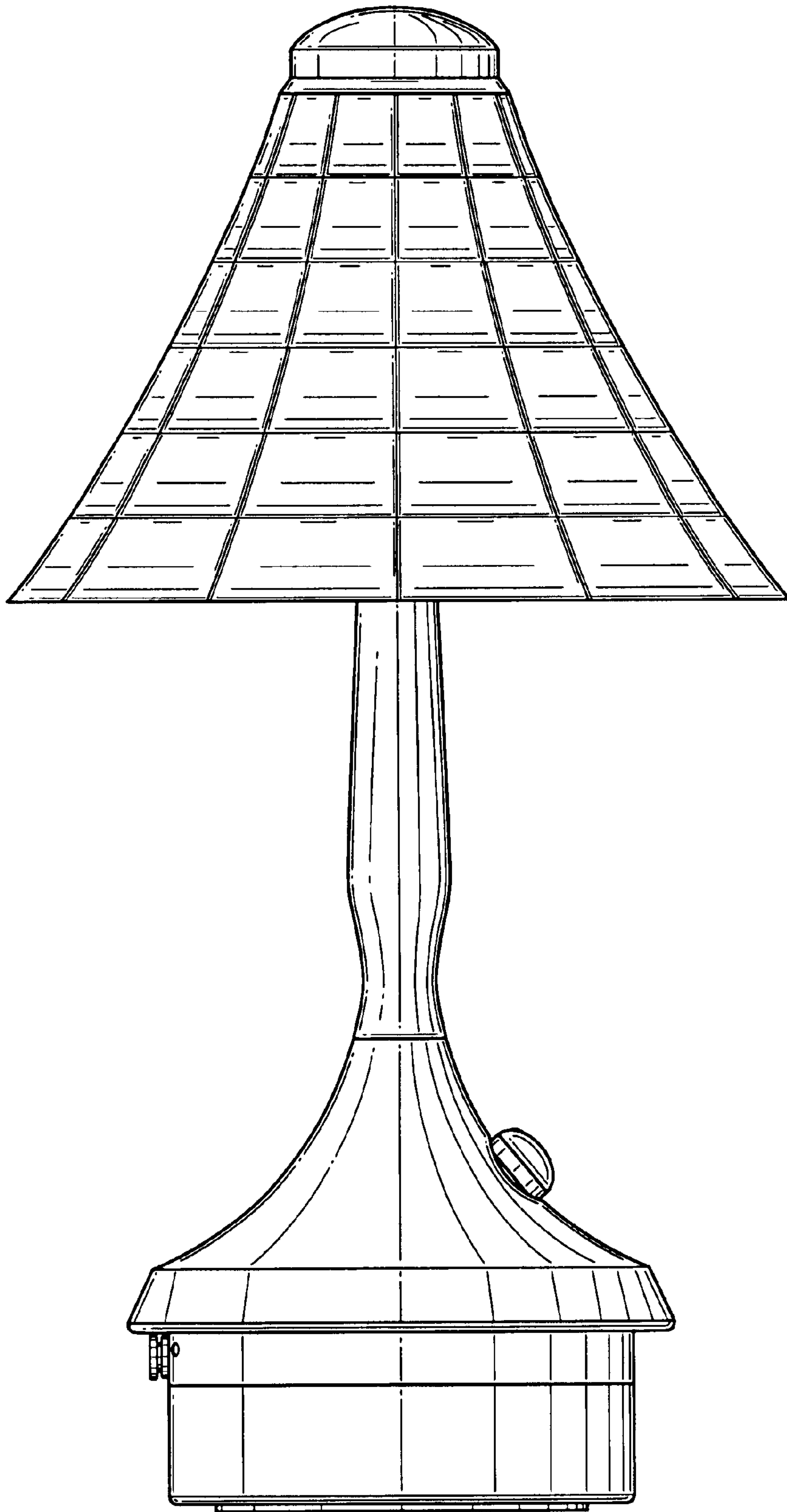


FIG. 5

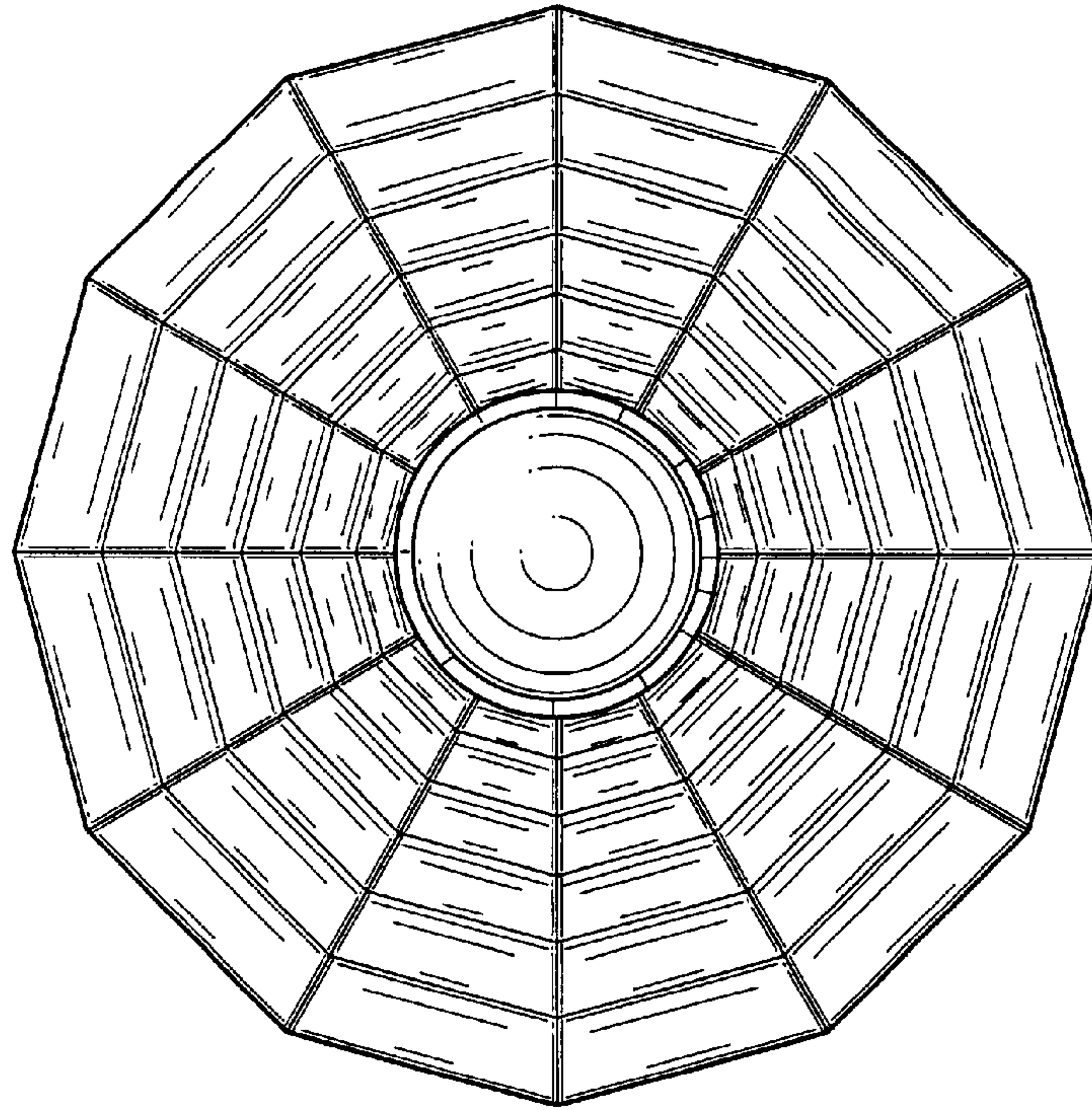


FIG. 6

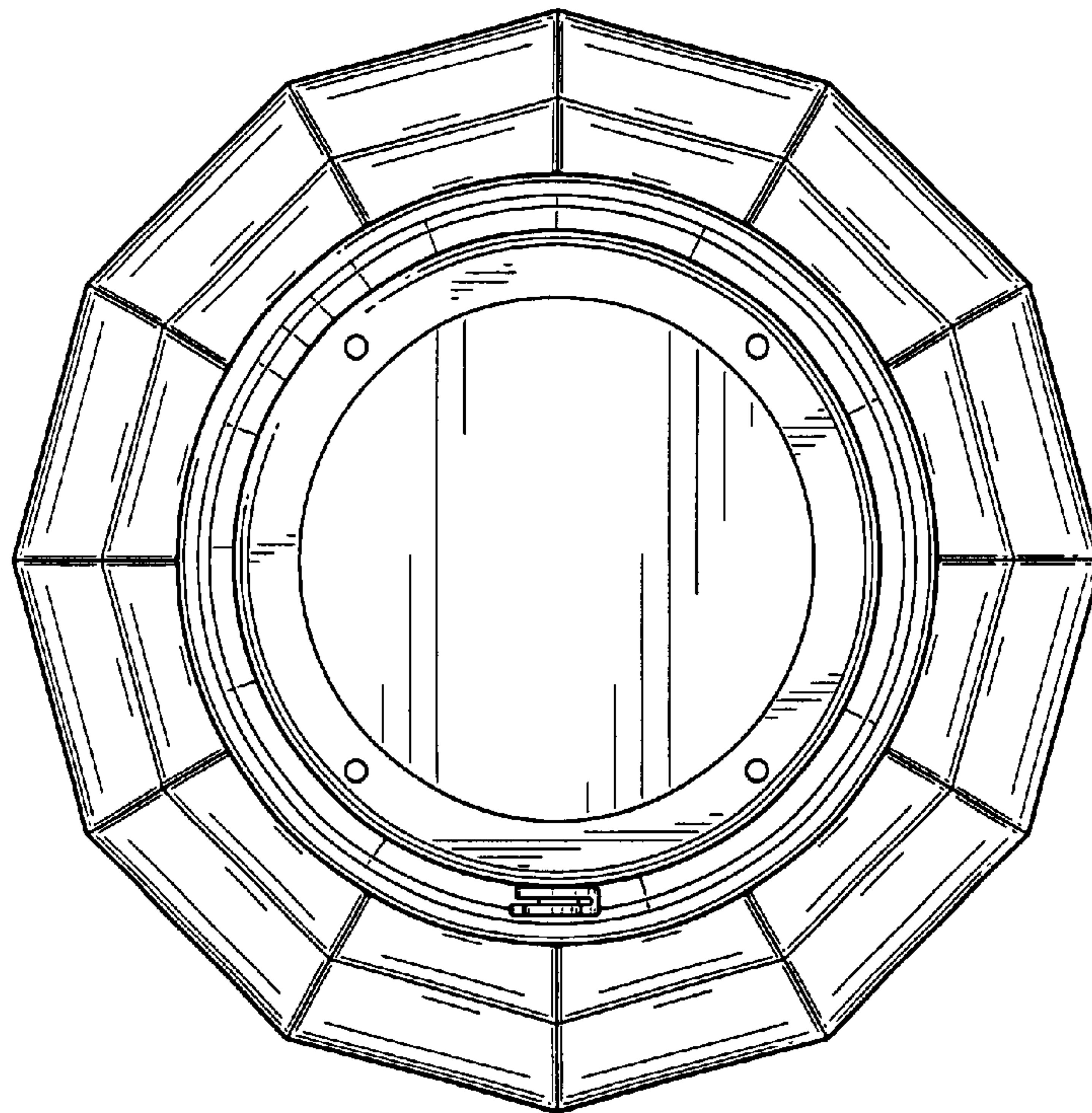


FIG. 7