



US00D469198S

(12) **United States Design Patent**
Olson

(10) **Patent No.:** **US D469,198 S**

(45) **Date of Patent:** **** Jan. 21, 2003**

(54) **STROBE LIGHT**

D430,501 S 9/2000 Meoli, Jr.
D448,877 S 10/2001 Kuen

(75) Inventor: **Karen Olson**, Huntington Station, NY
(US)

* cited by examiner

(73) Assignee: **Multi-Media Electronics, Inc.**,
Farmingdale, NY (US)

Primary Examiner—Marcus A. Jackson

(74) *Attorney, Agent, or Firm*—Dilworth & Barrese, LLP

(**) Term: **14 Years**

(57) **CLAIM**

The ornamental design for a strobe light, as shown and described.

(21) Appl. No.: **29/158,042**

(22) Filed: **Mar. 28, 2002**

DESCRIPTION

(51) **LOC (7) Cl.** **26-02**

(52) **U.S. Cl.** **D26/37; D10/114**

(58) **Field of Search** D10/114, 121;
D26/37-50; 362/157, 158, 161, 171, 172,
173, 183-208

FIG. 1 is a perspective view of the strobe light showing my new design, with the broken line showing for illustrative purposes only and forming no part of the claimed design; FIG. 2 is a front elevational view of the strobe light of FIG. 1

FIG. 3 is a rear elevational view of the strobe light of FIG. 1

FIG. 4 is a top plan view of the strobe light of FIG. 1;

FIG. 5 is a bottom plan view of the strobe light of FIG. 1; and,

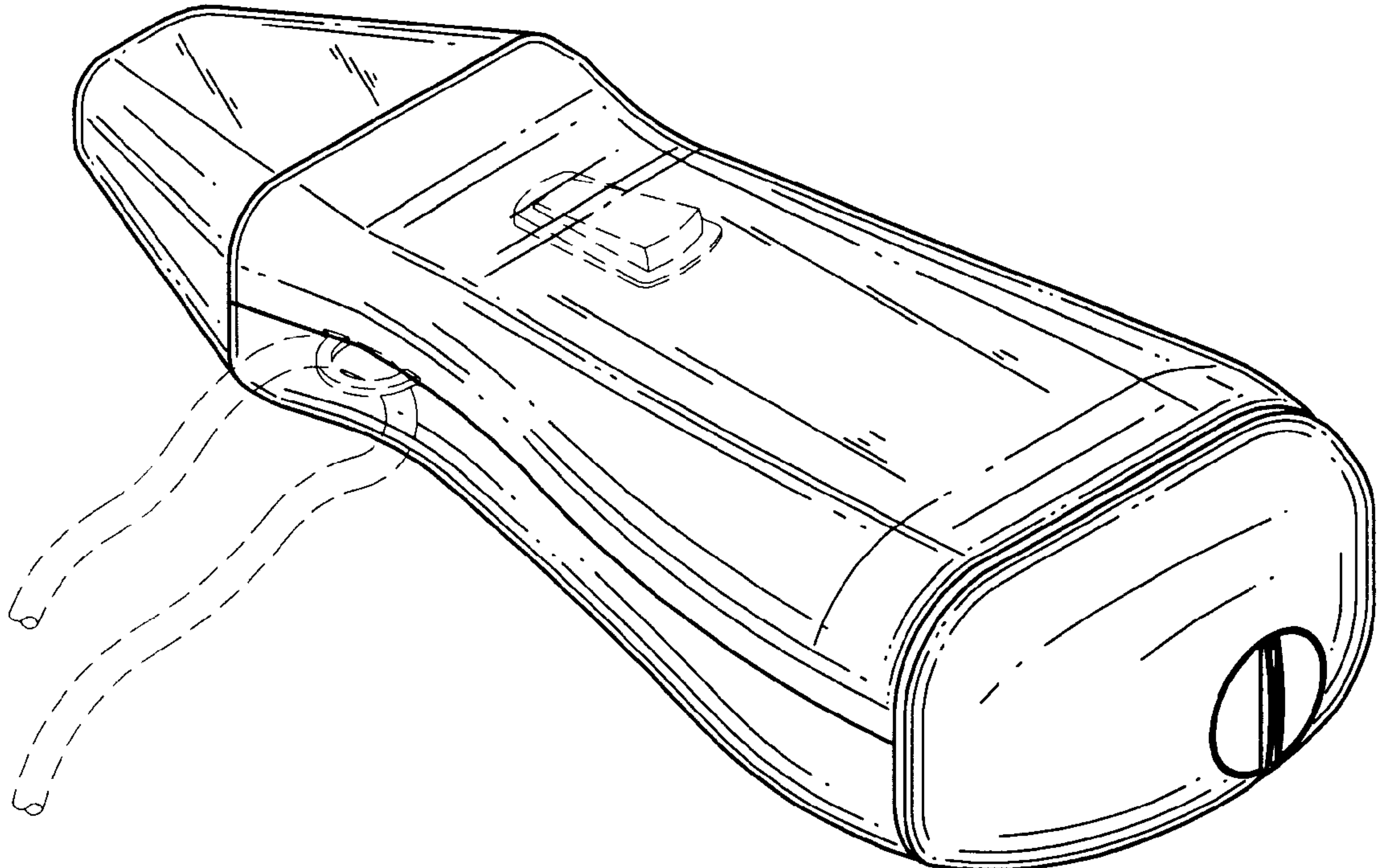
FIG. 6 is a side elevational view of the strobe light of FIG. 1.

(56) **References Cited**

U.S. PATENT DOCUMENTS

D274,561 S	7/1984	Stansbury, Jr. et al.	
D336,689 S	6/1993	Hung	
D349,968 S	* 8/1994	Elliott	D10/114
D368,145 S	* 3/1996	Smith	D10/114
D374,190 S	* 10/1996	Yuan	D10/114
D388,007 S	12/1997	Koski	

1 Claim, 2 Drawing Sheets



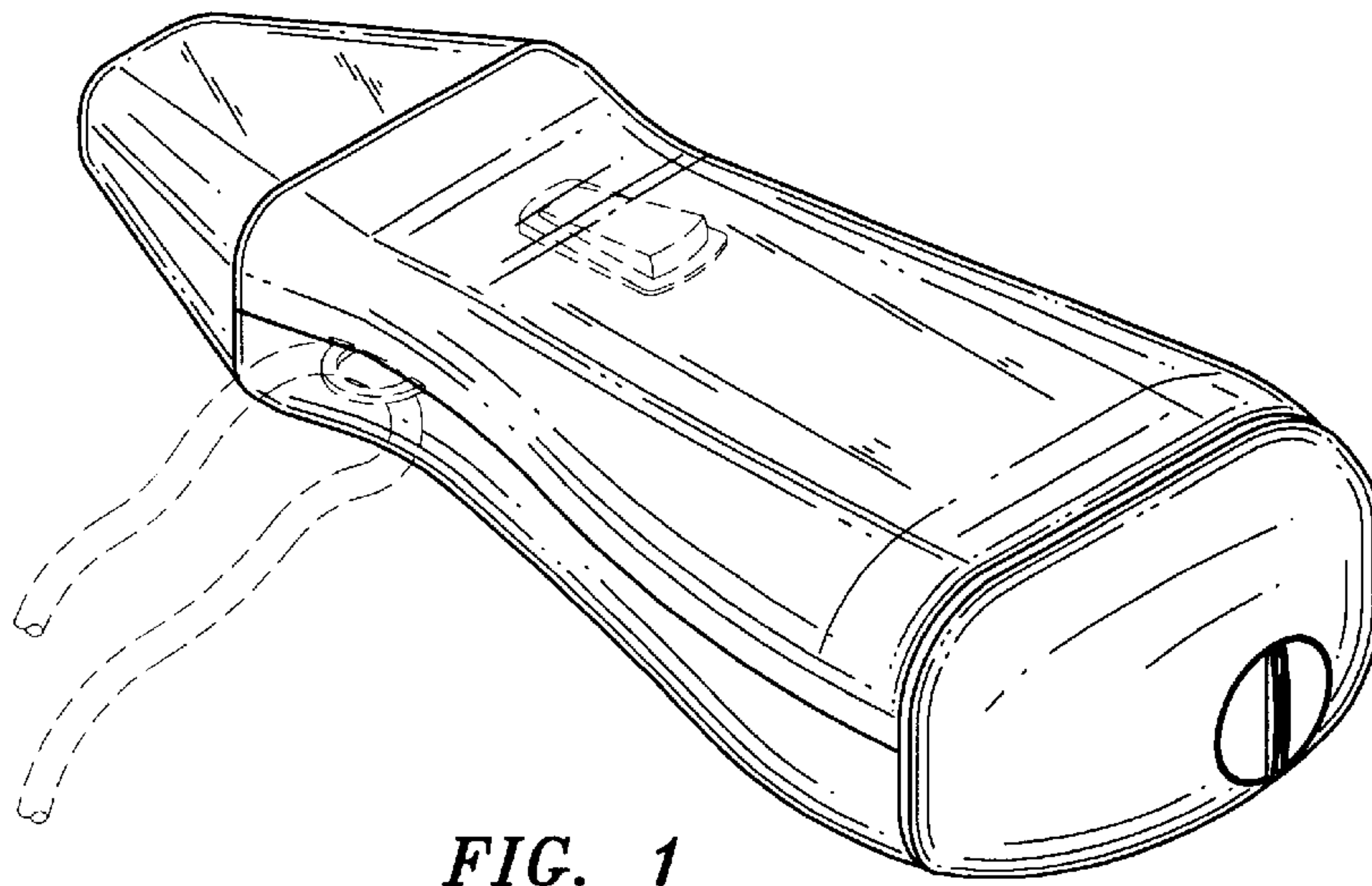


FIG. 1

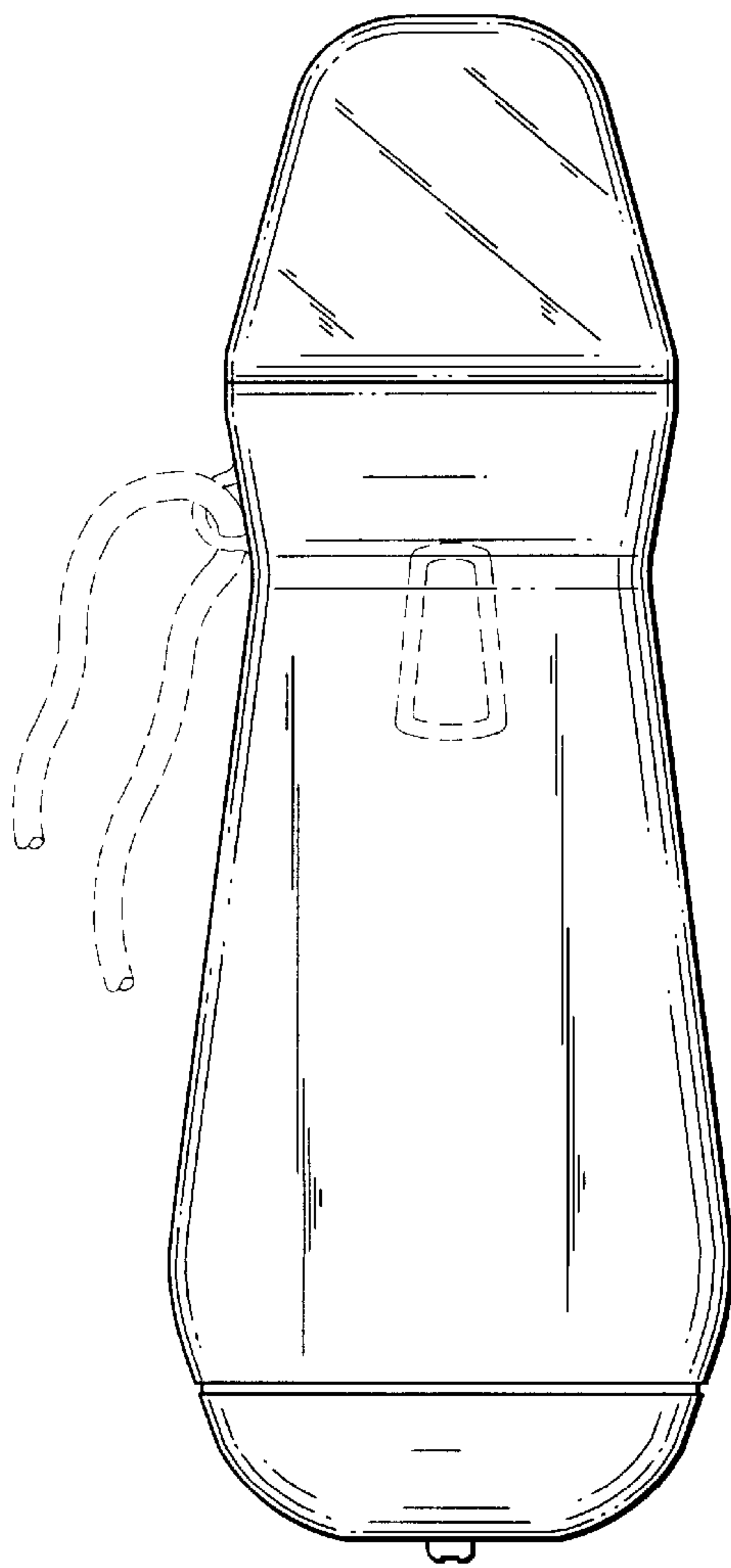


FIG. 2

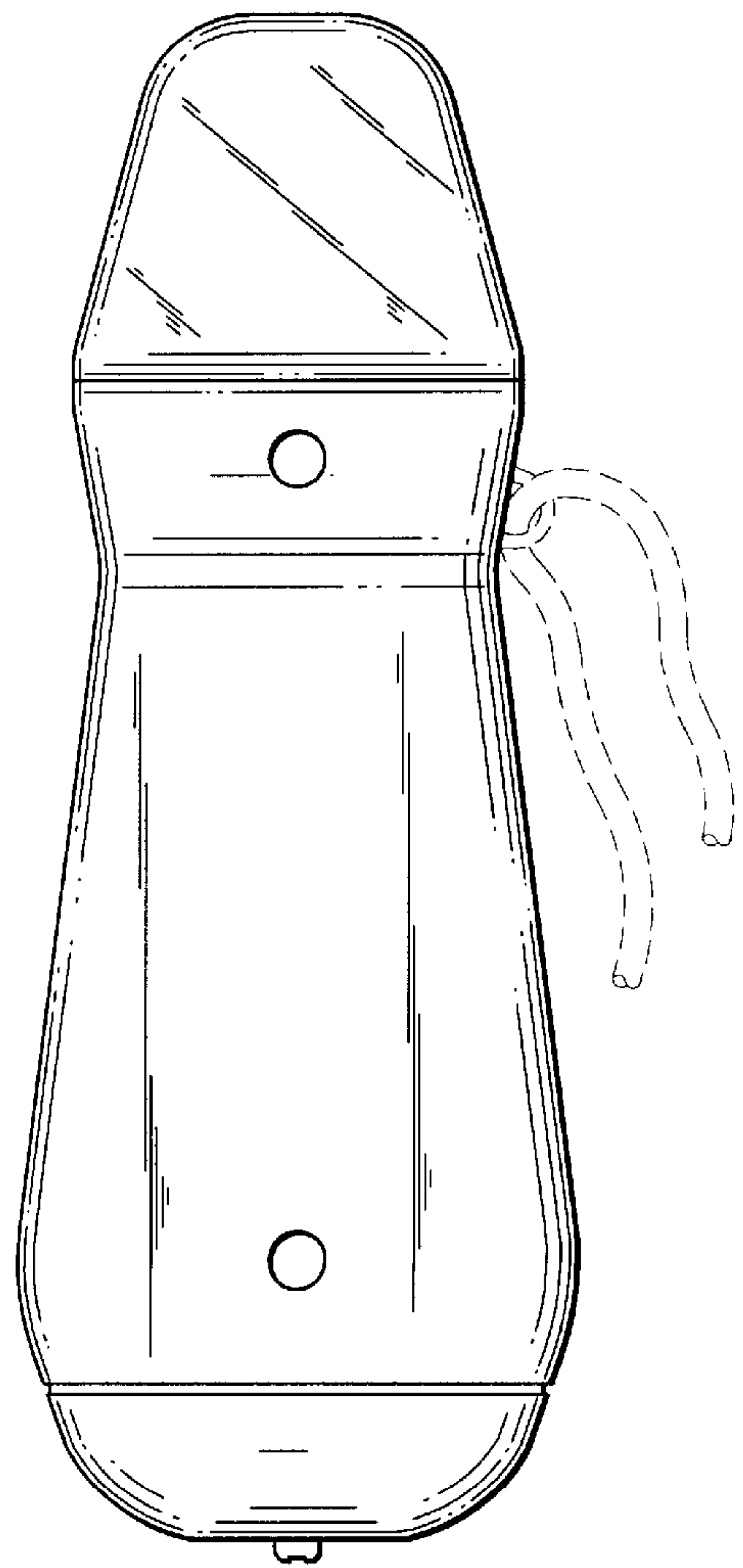


FIG. 3

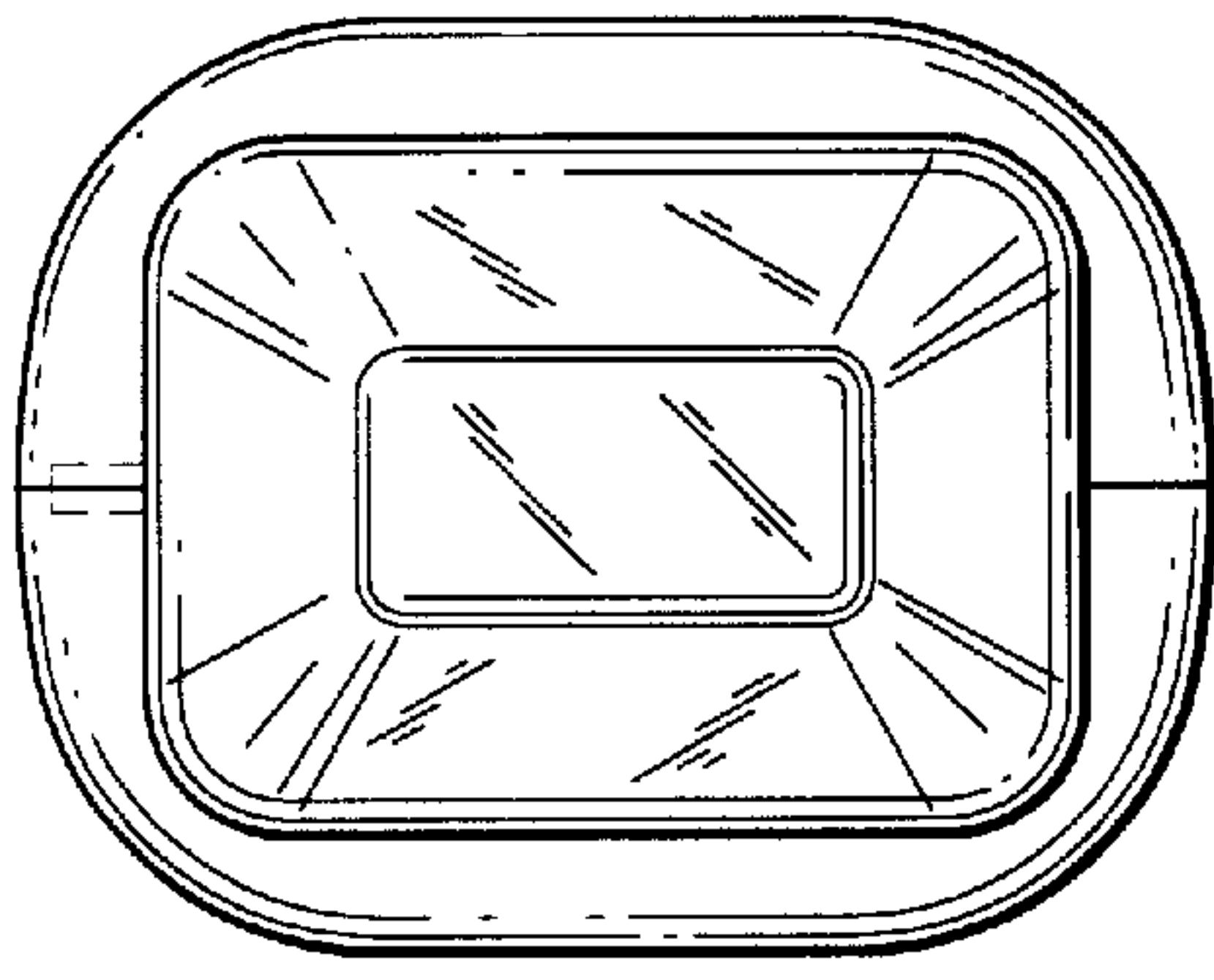


FIG. 4

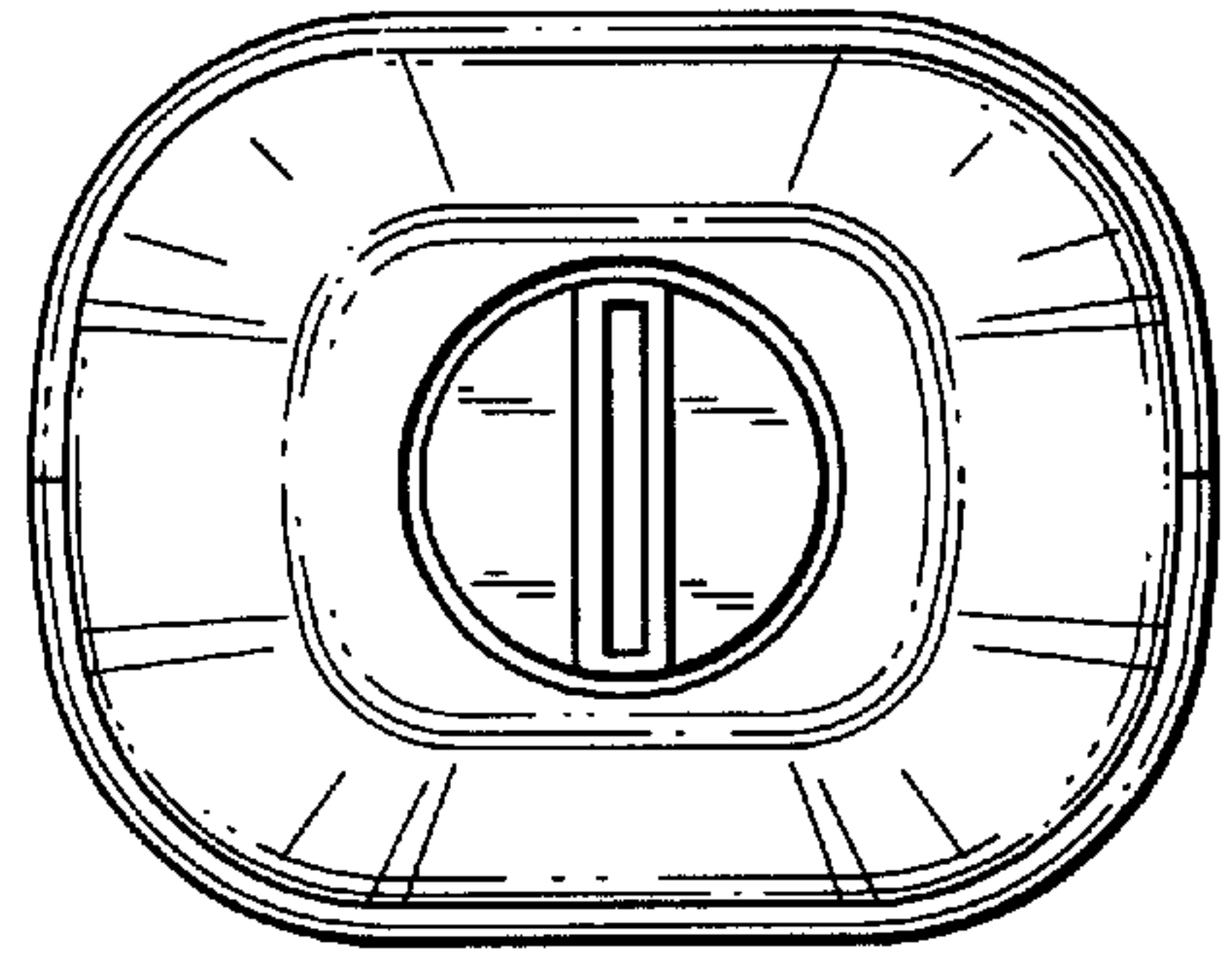


FIG. 5

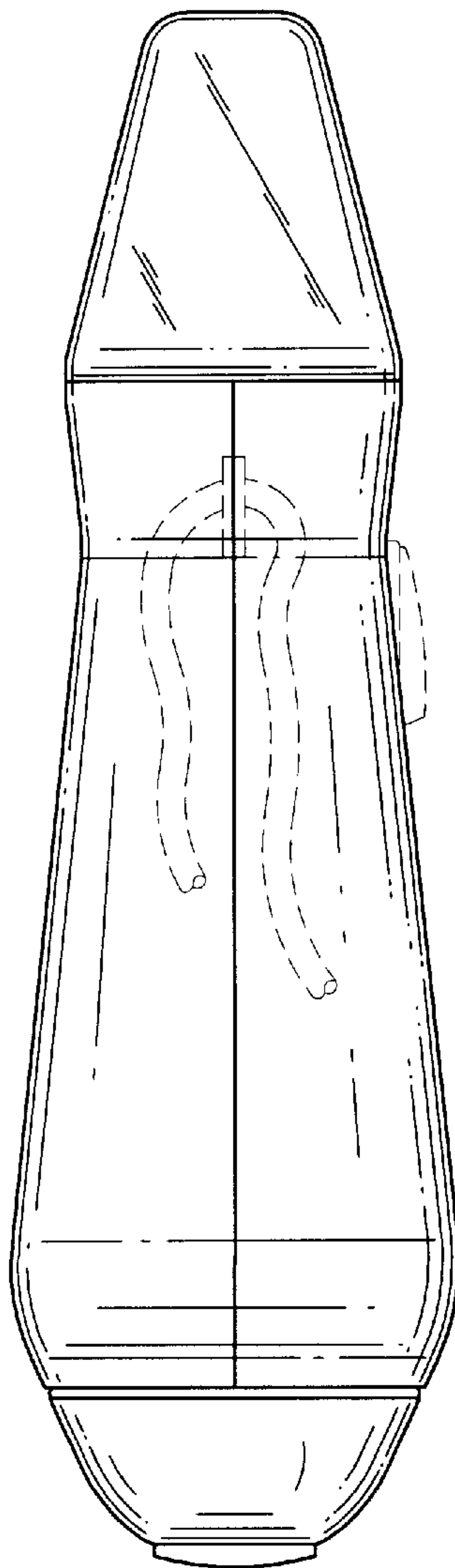


FIG. 6