



US00D469194S

(12) **United States Design Patent**
Horowitz

(10) **Patent No.:** **US D469,194 S**

(45) **Date of Patent:** **** Jan. 21, 2003**

(54) **TAIL LENS ASSEMBLY**

(76) Inventor: **Brian A. Horowitz**, 252 Granite St.,
Corona, CA (US) 92879

(**) Term: **14 Years**

(21) Appl. No.: **29/161,722**

(22) Filed: **Jun. 3, 2002**

(51) **LOC (7) Cl.** **26-04**

(52) **U.S. Cl.** **D26/28**

(58) **Field of Search** D26/28-36; 362/81,
362/82, 83, 83.4, 267, 269, 275, 326, 327,
328, 330-340, 367

(56) **References Cited**

U.S. PATENT DOCUMENTS

D183,745 S	10/1958	Kenitz	
D388,200 S	12/1997	Tomforde et al.	
D439,995 S	4/2001	Nakazawa et al.	
D440,331 S	4/2001	Nakazawa et al.	
6,243,008 B1	6/2001	Korabiak	
6,286,984 B1	9/2001	Berg	
6,296,382 B1	10/2001	Hamelbeck	
D459,508 S	* 6/2002	Horowitz	D26/28
D460,574 S	* 7/2002	Horowitz	D26/28

OTHER PUBLICATIONS

Toucan Industries, 2001-2002 Catalog, p. 27.
 Matrix GR Motorsports Inc. 2002 Catalog, p. 17.
 in.pro.carwear Catalog, p. 22, prior to Jun. 3, 2002.
 Toucan Industries, Inc., Product Catalog, p. 25, prior to Jun. 3, 2002.
 Hiper Industries, 2002 Catalog, p. 3.
 Z2000, Product Catalog, pp. 3-4, prior to Jun. 3, 2002.
 Marco Automotive Products, Catalog, p. 2, prior to Jun. 3, 2002.

Photo of Stock Tail Lens for 2002 Mitsubishi Eclipse, available at <http://www.mitsubishicars.com/eclipse/photos.html#>, prior to Jun. 3, 2002.

Advertisement for Stillen Sports Cars, from Sport Compact Car, vol. 13, No. 03, pp. 58-59, Mar. 2001.

OBX Racing Sports, Catalog, p. 1, prior to Jan. 1, 2001.

* cited by examiner

Primary Examiner—Marcus A. Jackson

(74) *Attorney, Agent, or Firm*—Knobbe, Martens, Olson & Bear LLP

(57) **CLAIM**

The ornamental design for a tail lens assembly, as shown and described.

DESCRIPTION

FIG. 1 is a right side perspective view of the tail lens assembly of the present design;

FIG. 2 is a right side perspective view of the tail lens assembly of FIG. 1, showing the cover of the tail lens assembly removed;

FIG. 3 is a front elevational view of the tail lens assembly of FIG. 1;

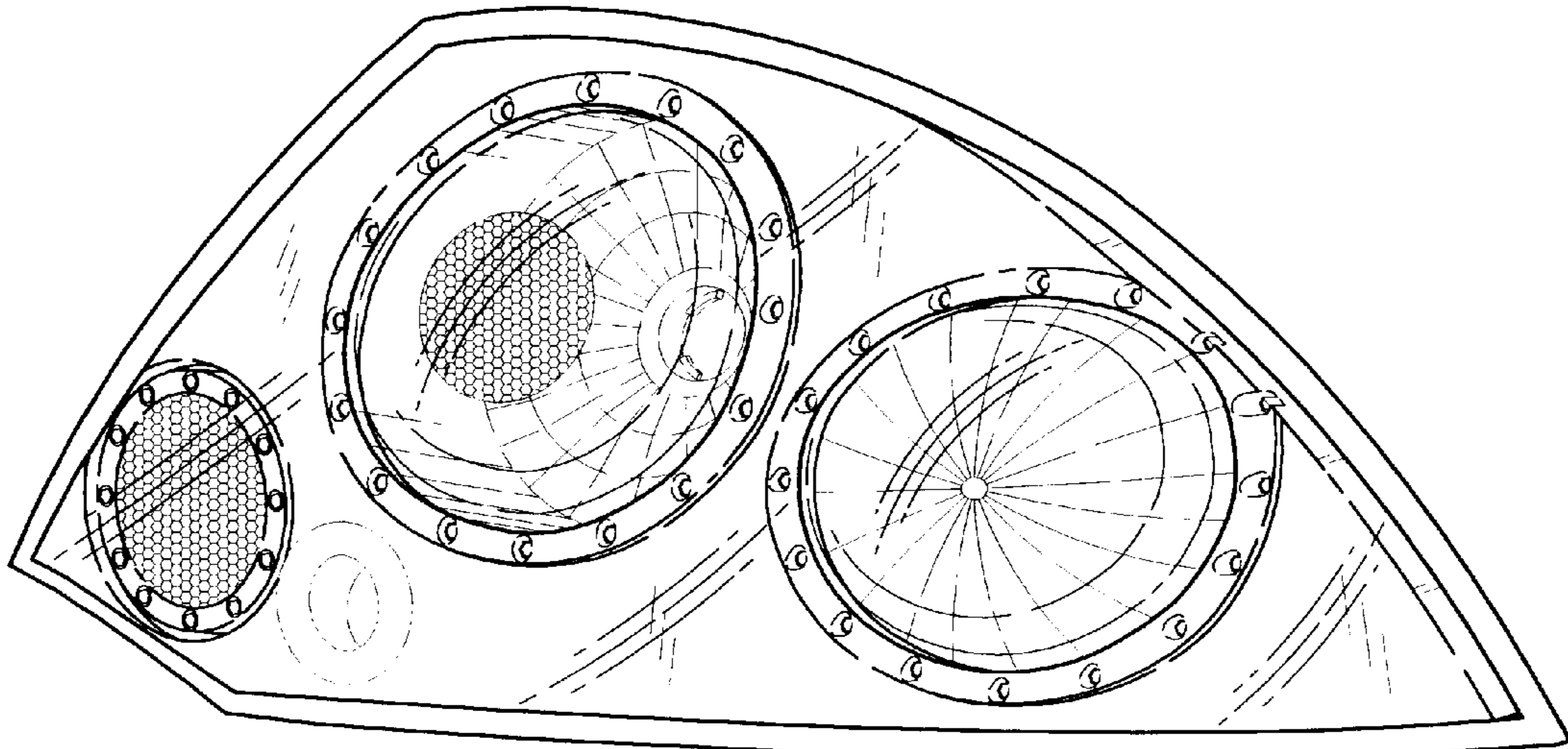
FIG. 4 is a right side elevational view of the tail lens assembly of FIG. 1;

FIG. 5 is a top plan view of the tail lens assembly of FIG. 1; and,

FIG. 6 is a right side perspective view of the tail lens assembly of FIG. 1, showing the tail lens assembly installed on a vehicle.

Phantom lining, where used, is for illustrative purposes only and is not intended to limit the claimed design to the features shown in phantom.

1 Claim, 4 Drawing Sheets



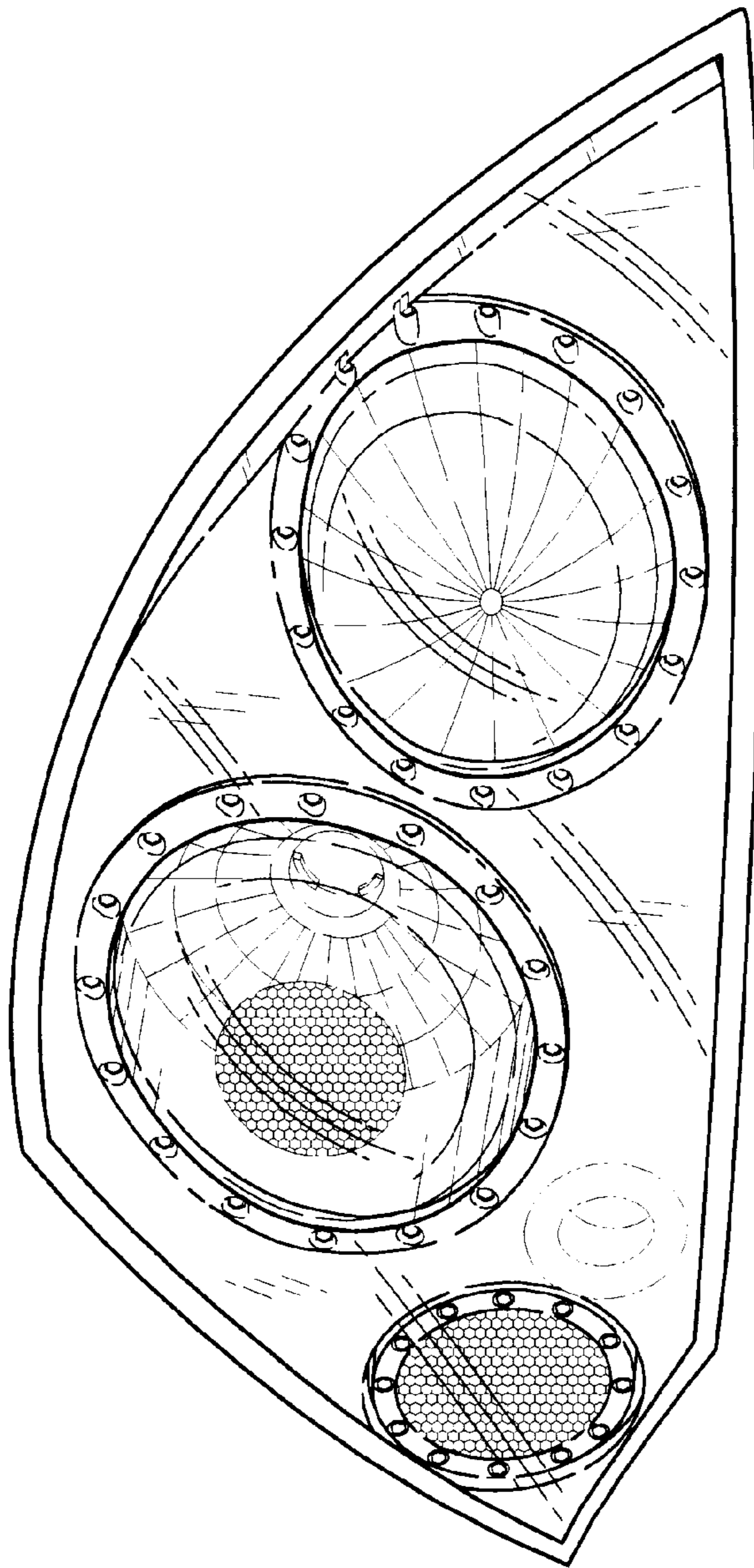


FIG. 1

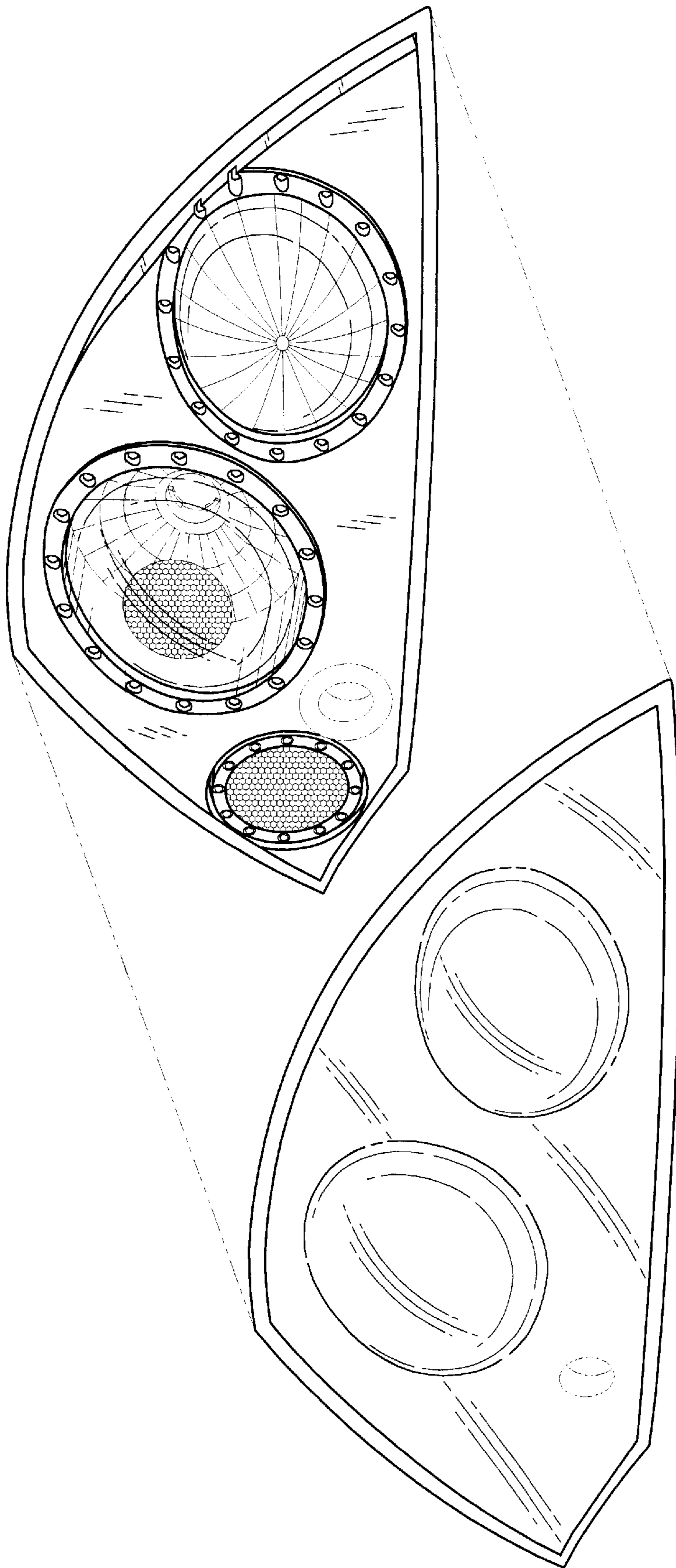


FIG. 2

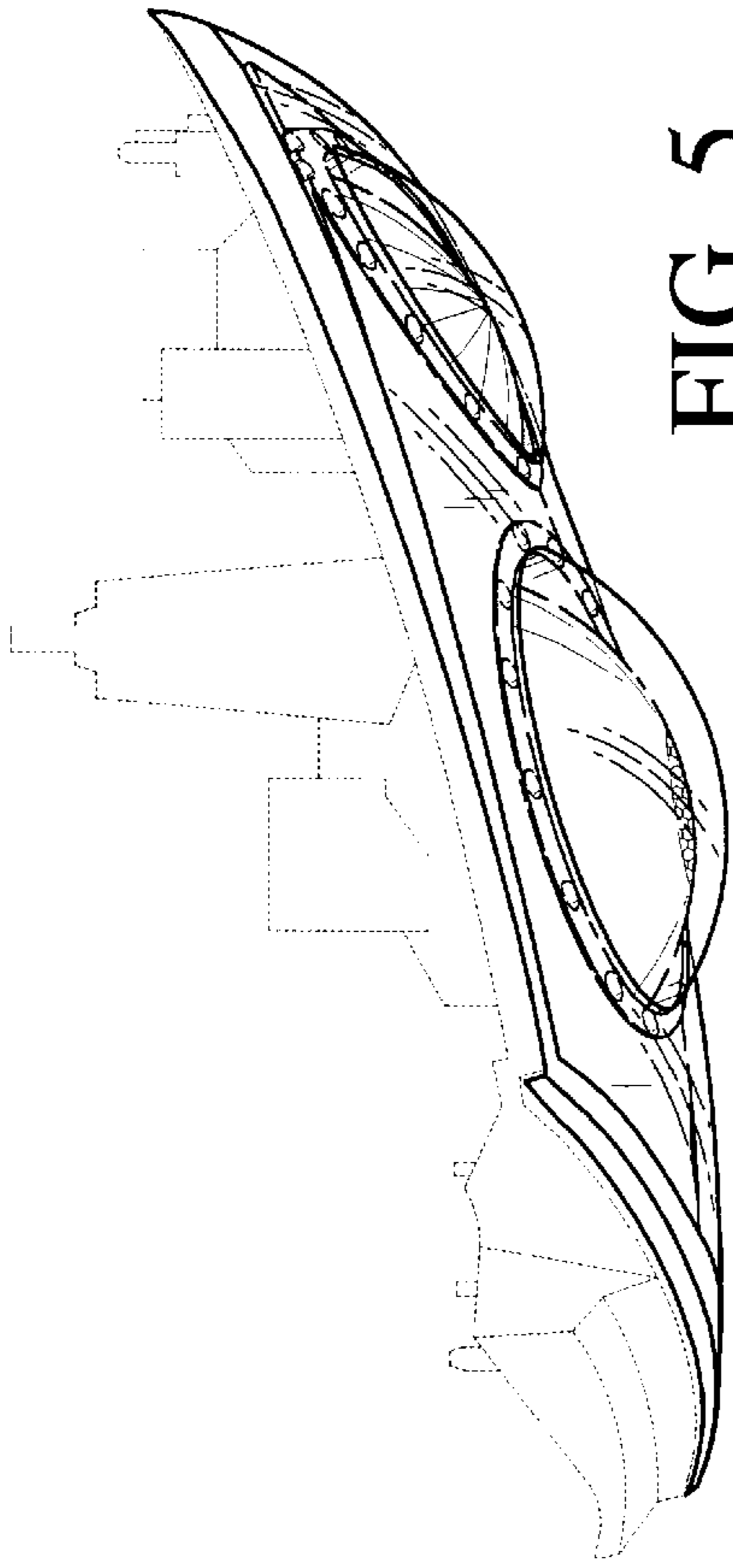


FIG. 5

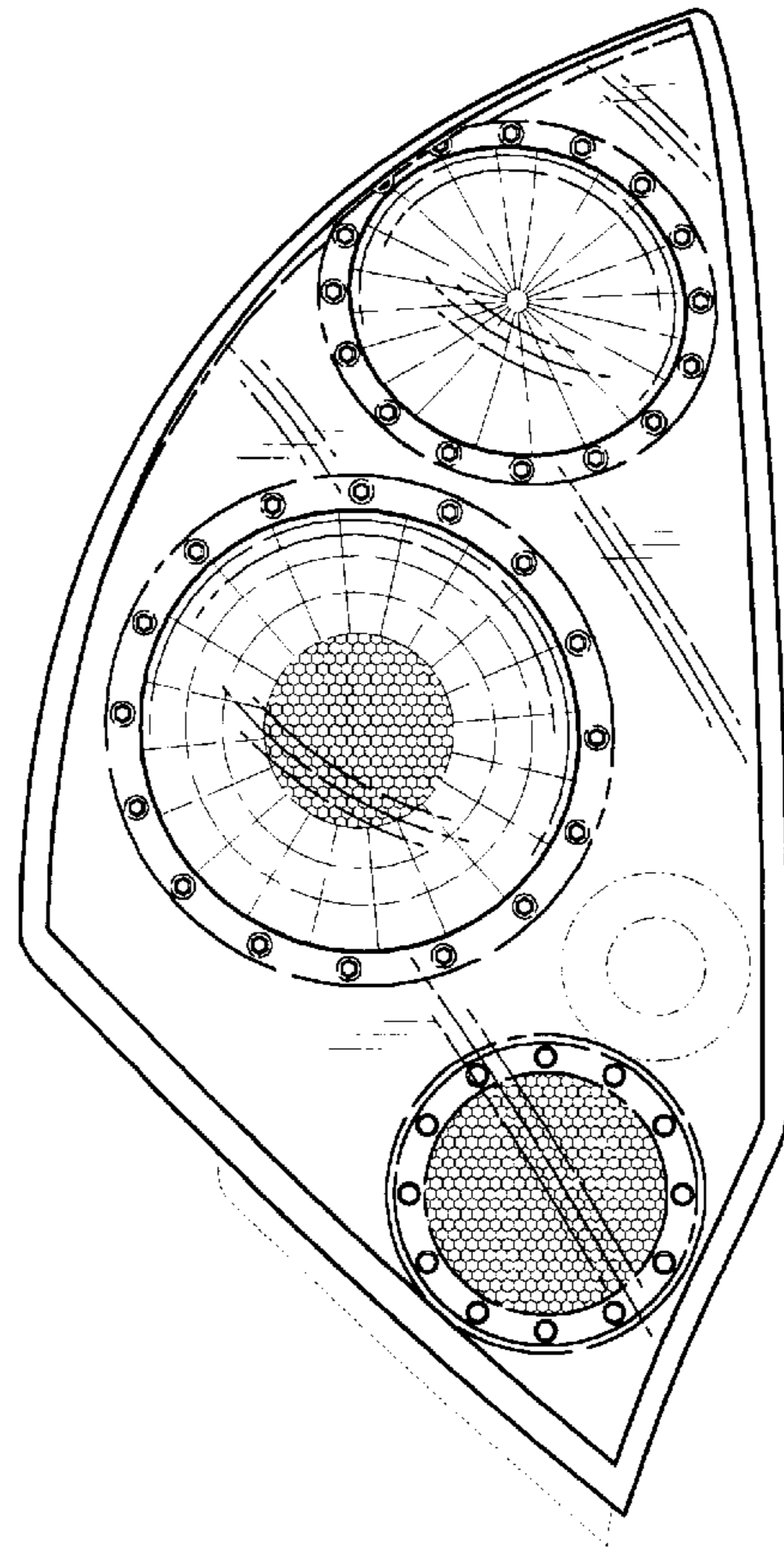


FIG. 3

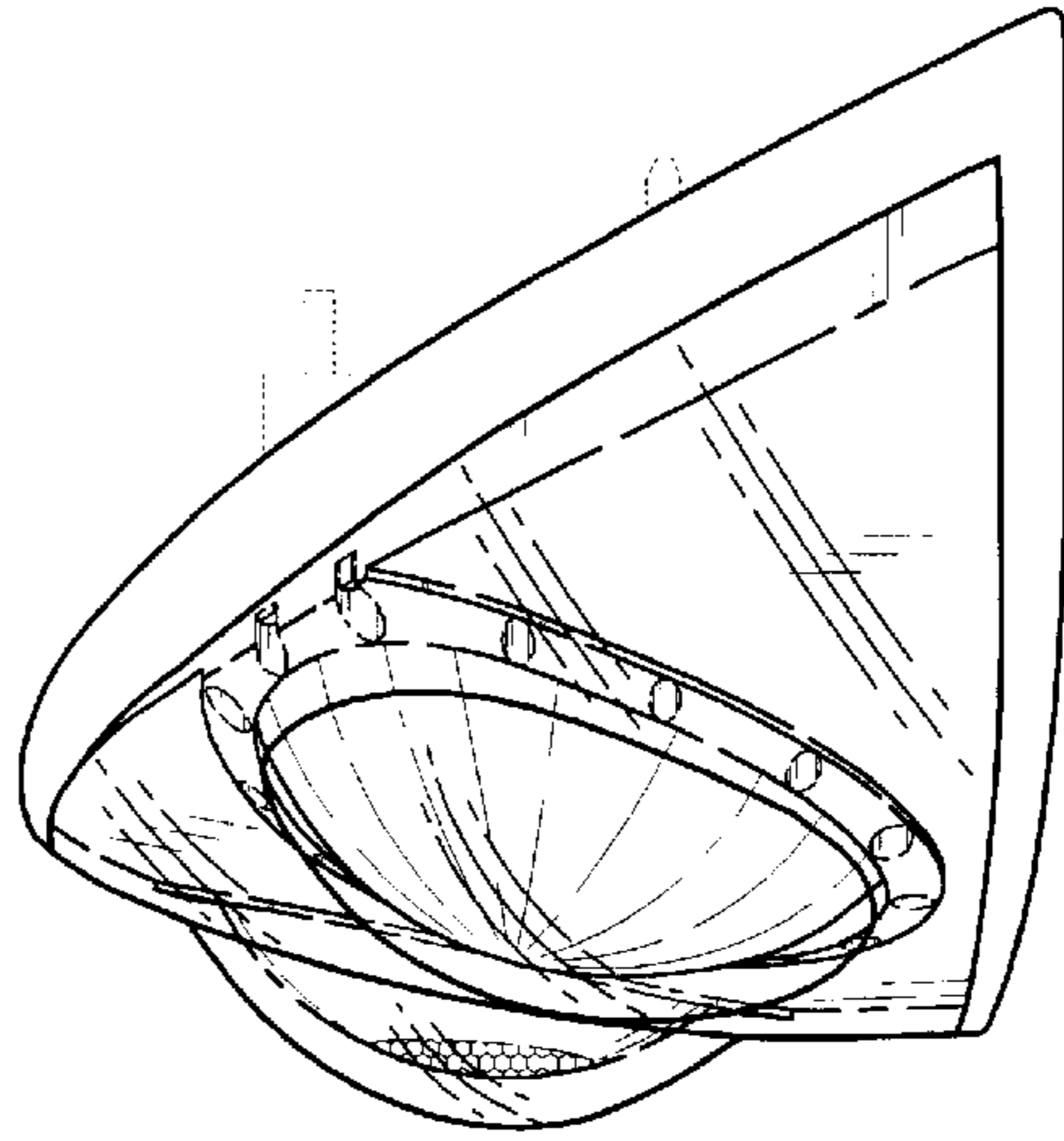


FIG. 4

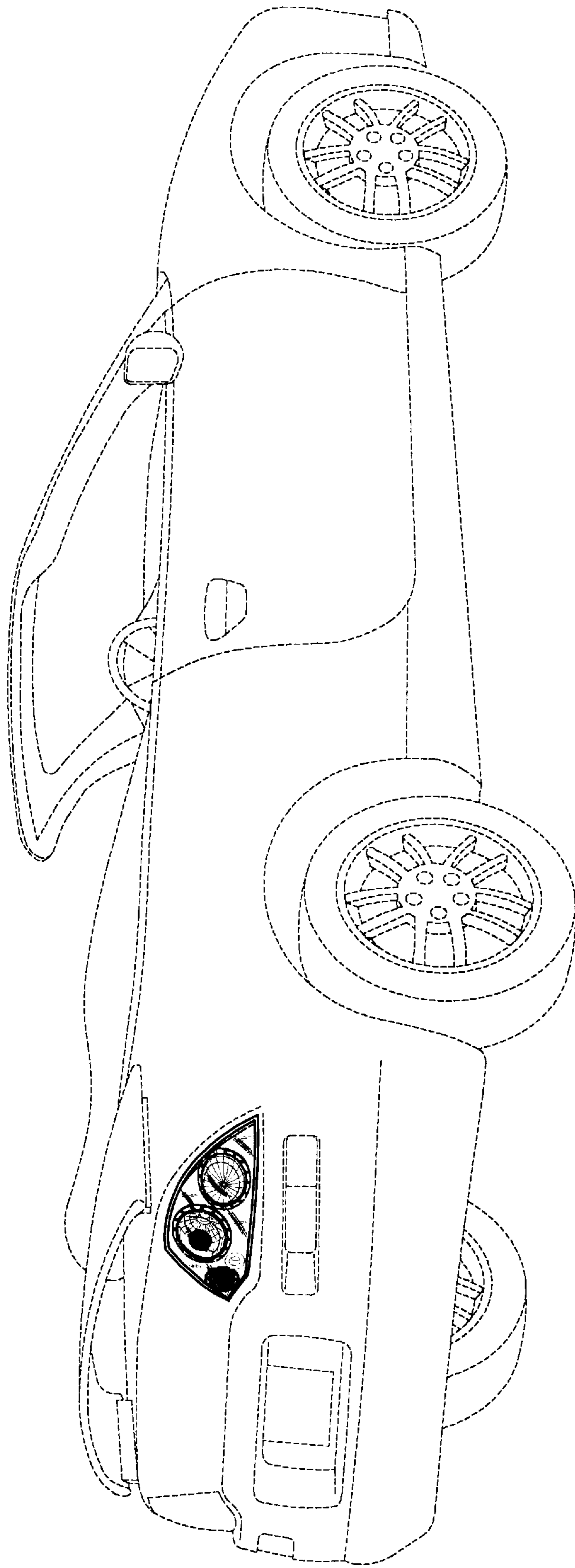


FIG. 6