



US00D469193S

(12) **United States Design Patent**  
**Jeffries**

(10) **Patent No.:** **US D469,193 S**

(45) **Date of Patent:** **\*\* Jan. 21, 2003**

(54) **HEADLIGHTS**

D354,147 S \* 1/1995 Veda ..... D26/28

\* cited by examiner

(76) Inventor: **Jerry Jeffries**, 23358 Los Pocitos,  
Laguna Hills, CA (US) 92653

*Primary Examiner*—Marcus A. Jackson  
(74) *Attorney, Agent, or Firm*—Price and Gess

(\*\*) Term: **14 Years**

(57) **CLAIM**

(21) Appl. No.: **29/160,666**

The ornamental design for the headlights, as shown and described.

(22) Filed: **May 15, 2002**

(51) **LOC (7) Cl.** ..... **26-06**

(52) **U.S. Cl.** ..... **D26/28**

(58) **Field of Search** ..... D26/28-36; 362/61,  
362/62, 64, 80, 81, 82, 83, 84

**DESCRIPTION**

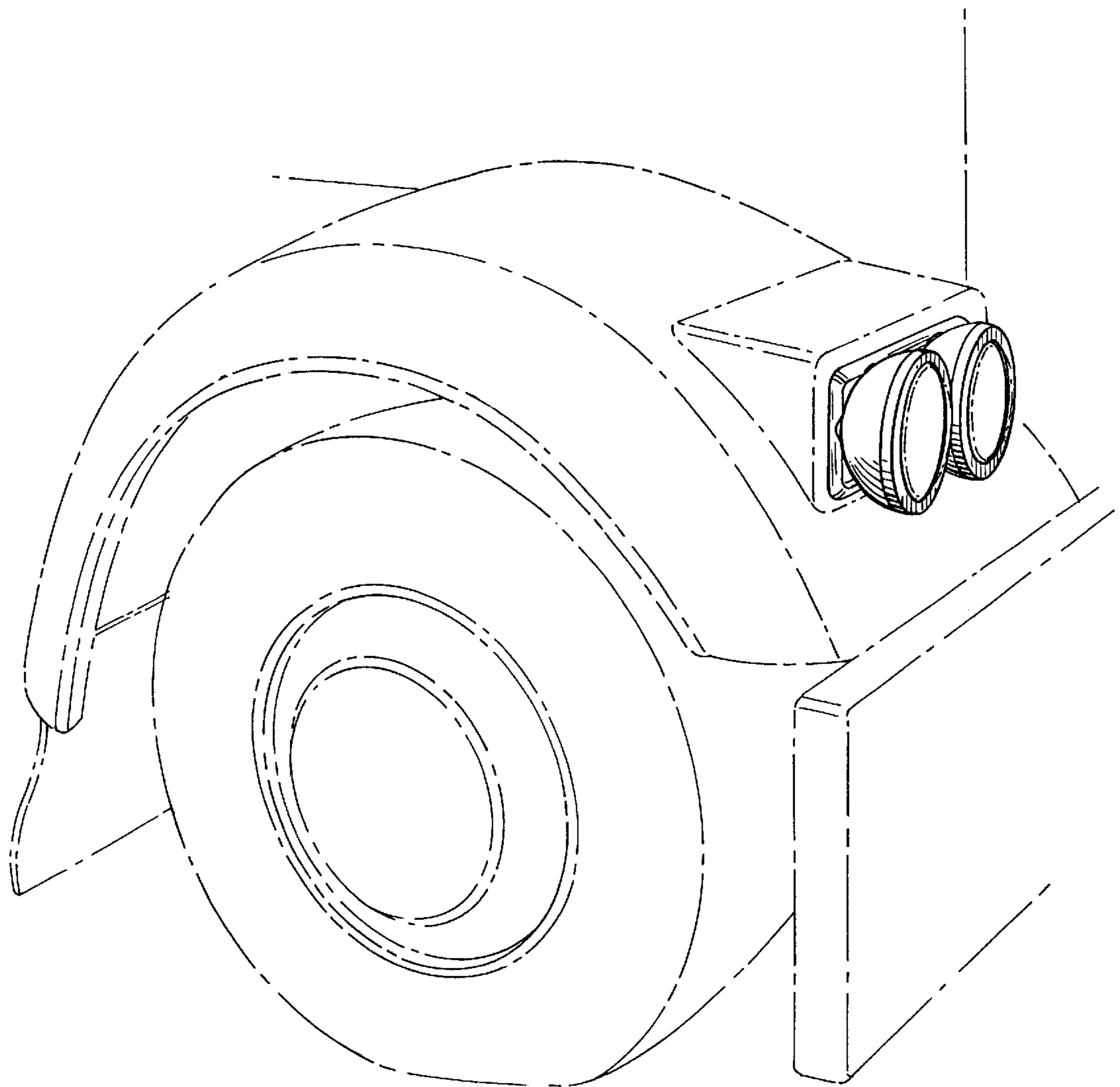
FIG. 1 is a perspective view of the headlights;  
FIG. 2 is a top plan view of the headlights;  
FIG. 3 is a front elevational view of the headlights;  
FIG. 4 is a left side elevational view of the headlights;  
FIG. 5 is a bottom plan view of the headlights;  
FIG. 6 is a rear elevational view of the headlights; and,  
FIG. 7 is a right side elevational view of the headlights.

(56) **References Cited**

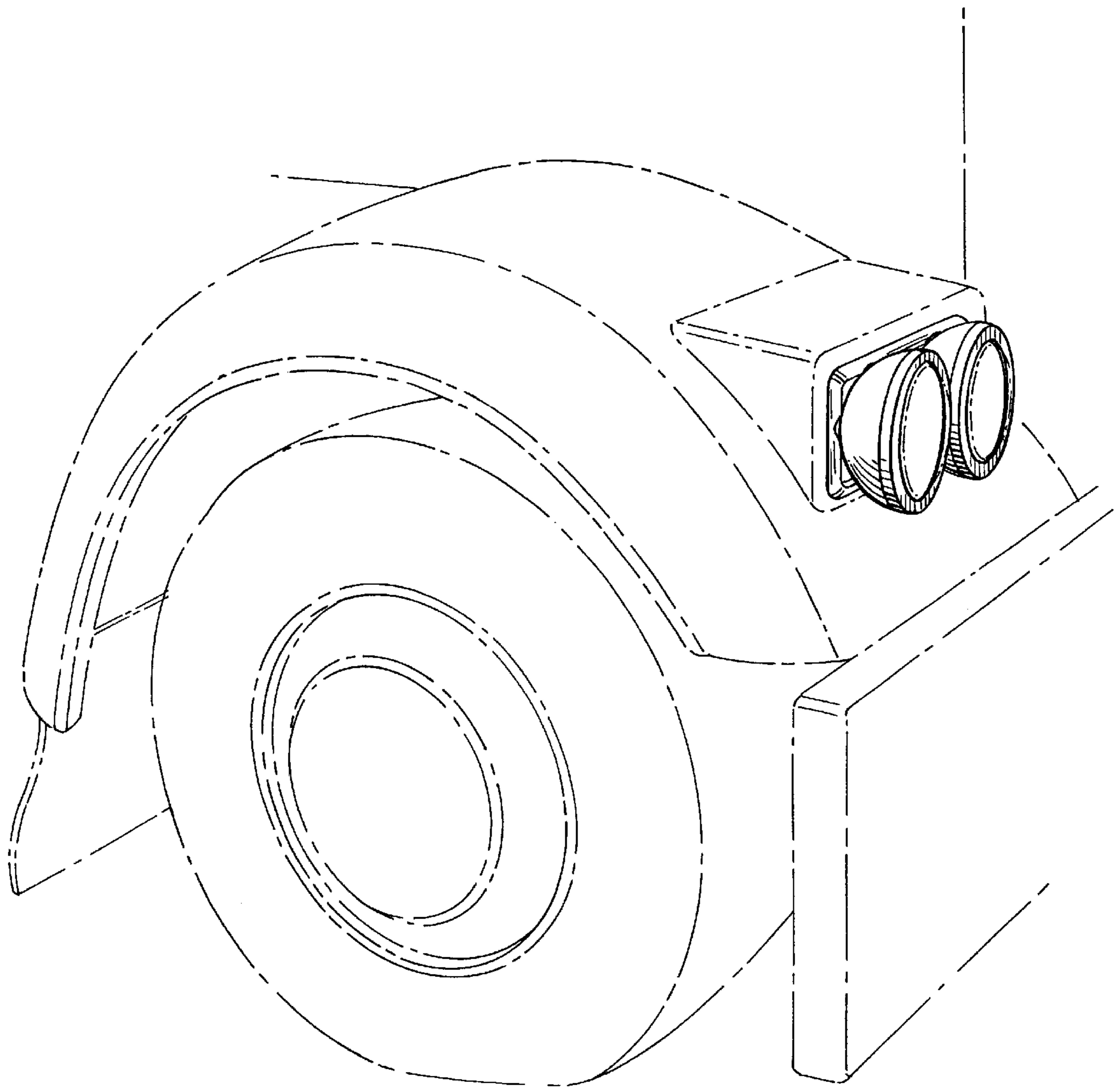
**U.S. PATENT DOCUMENTS**

D154,925 S \* 8/1949 Ingle ..... D26/30

**1 Claim, 3 Drawing Sheets**



*FIG. 1*



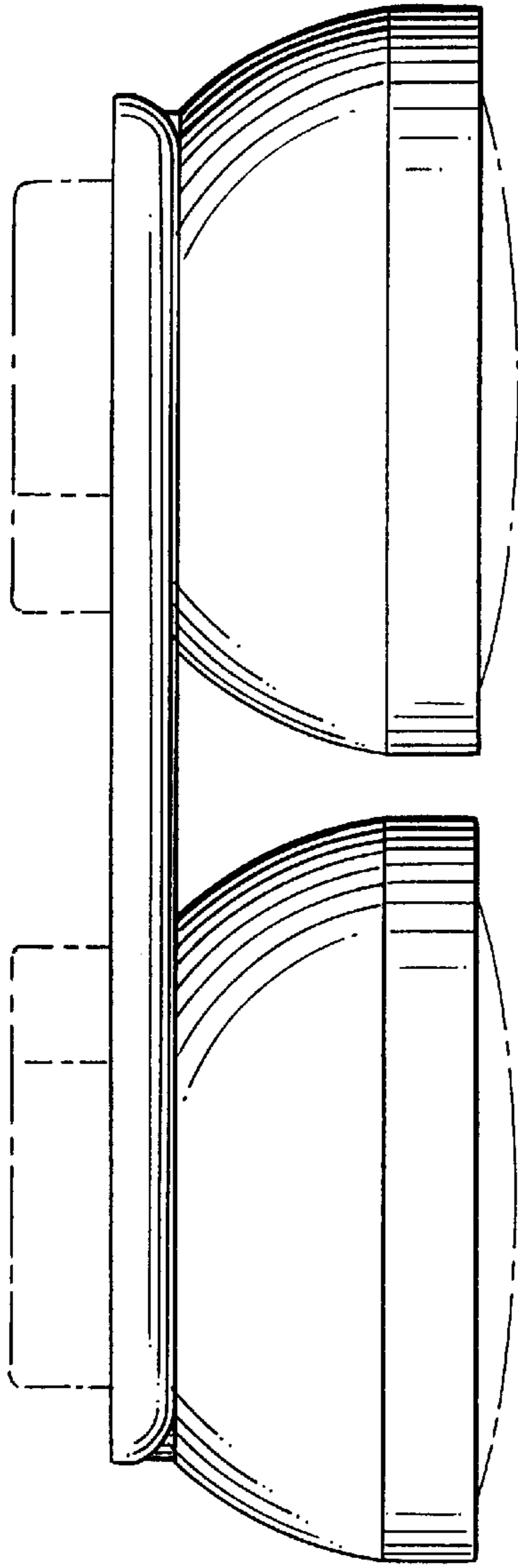


FIG. 2

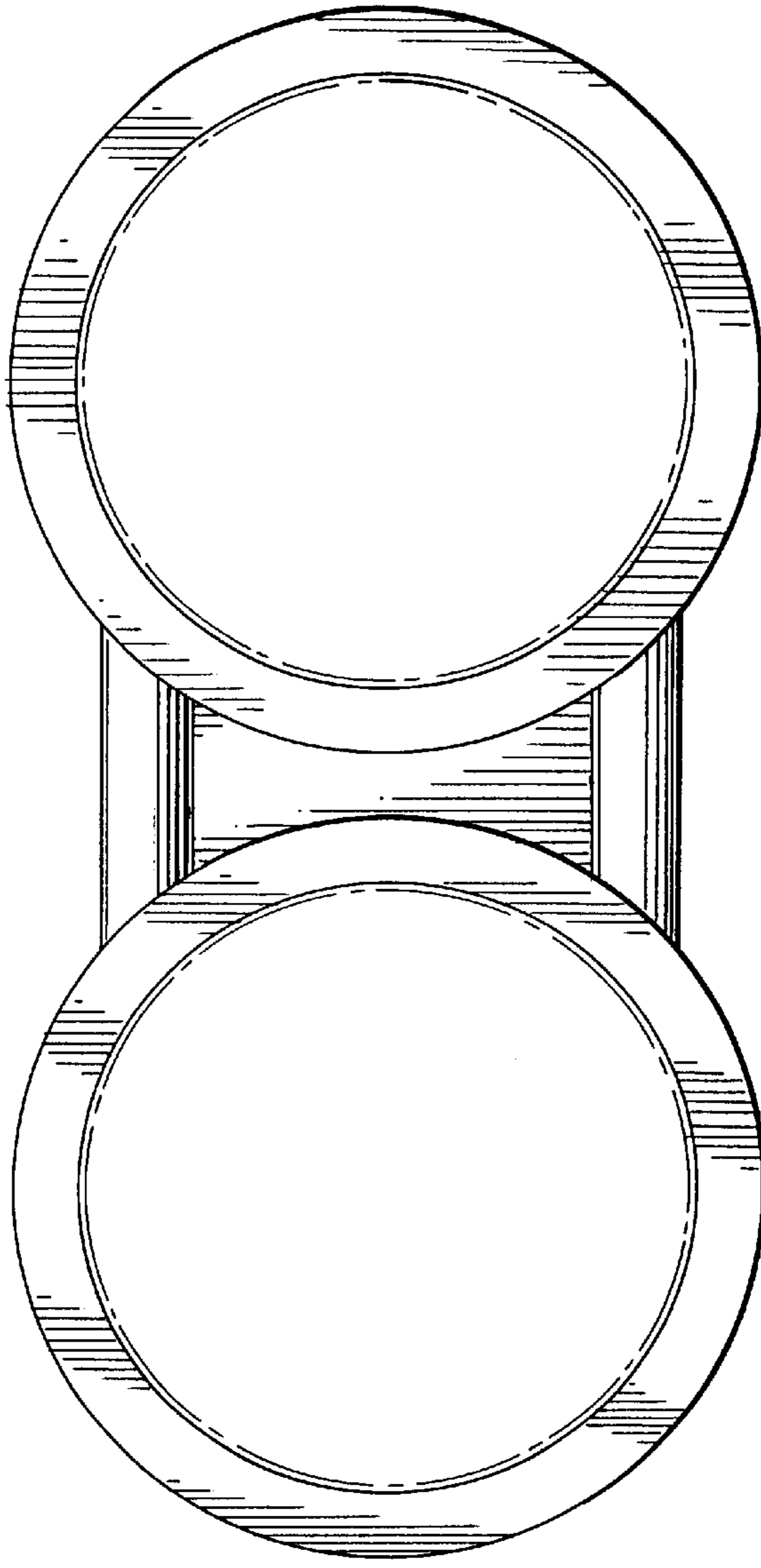


FIG. 3

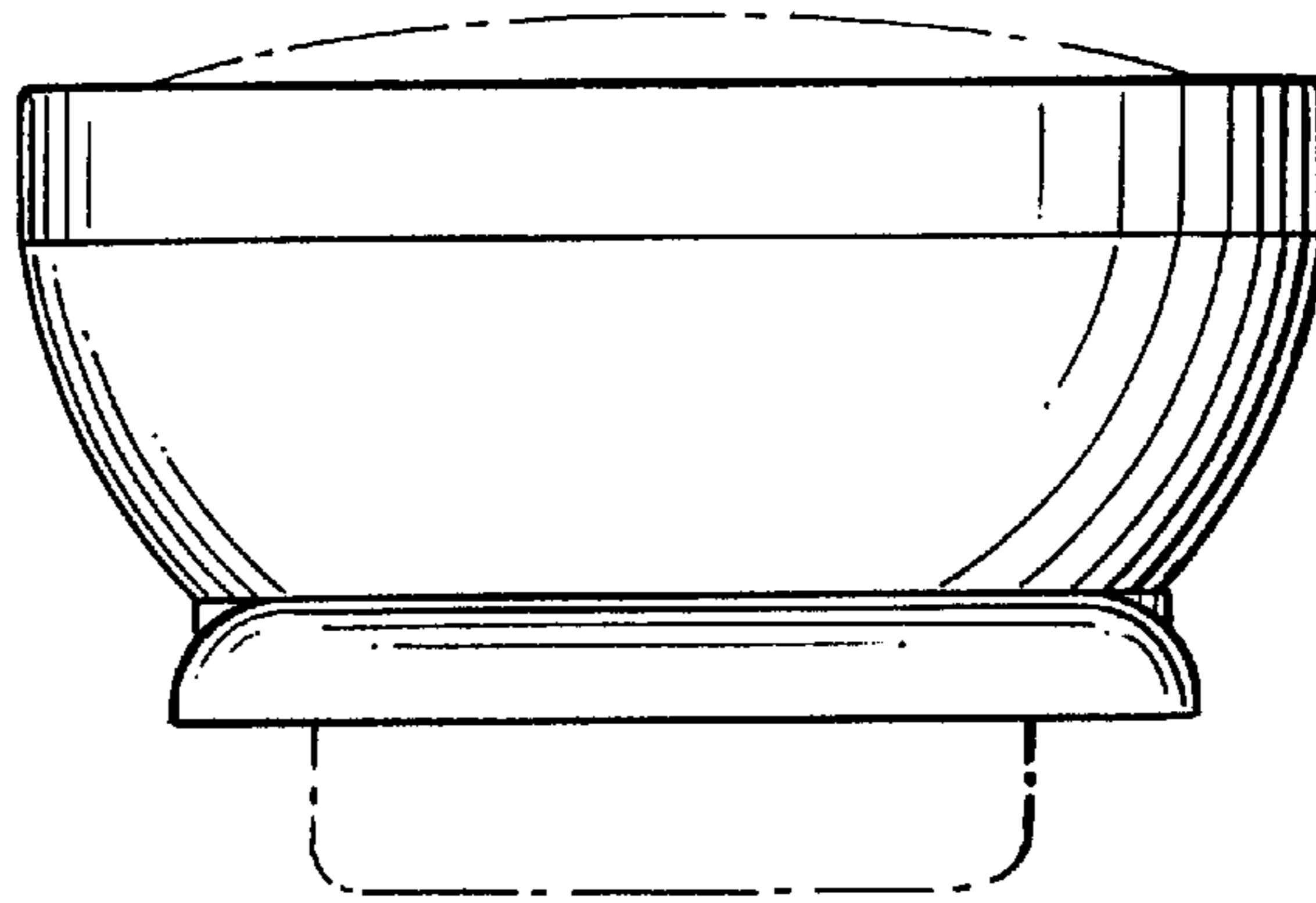


FIG. 4

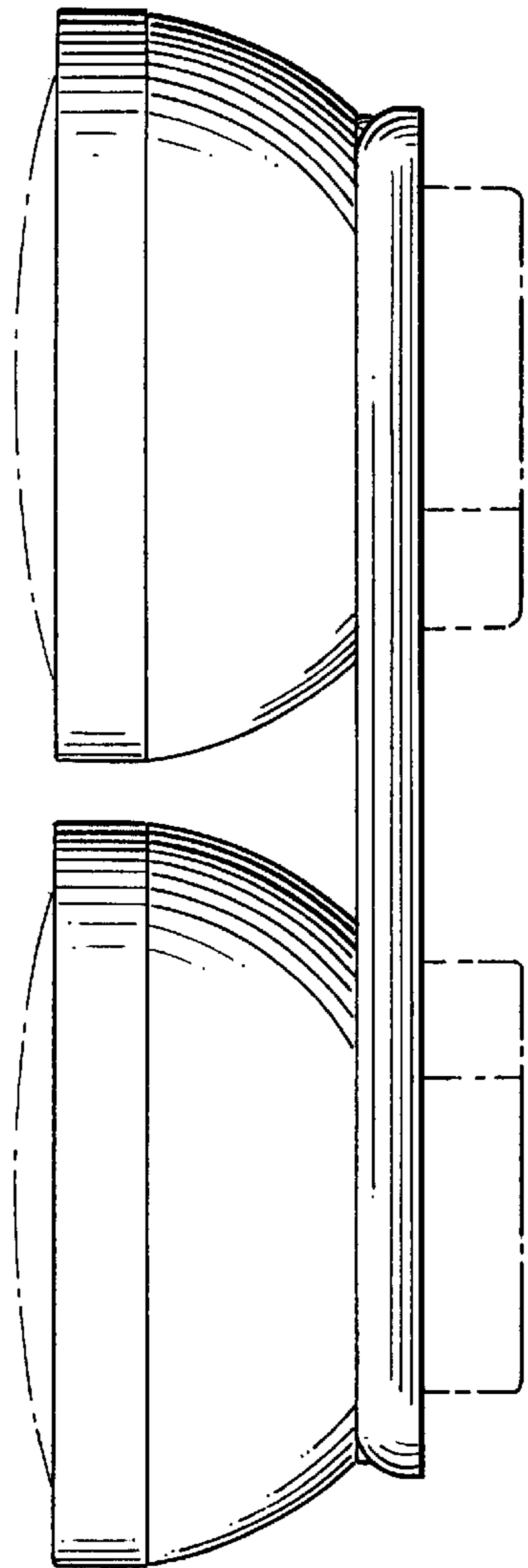


FIG. 5

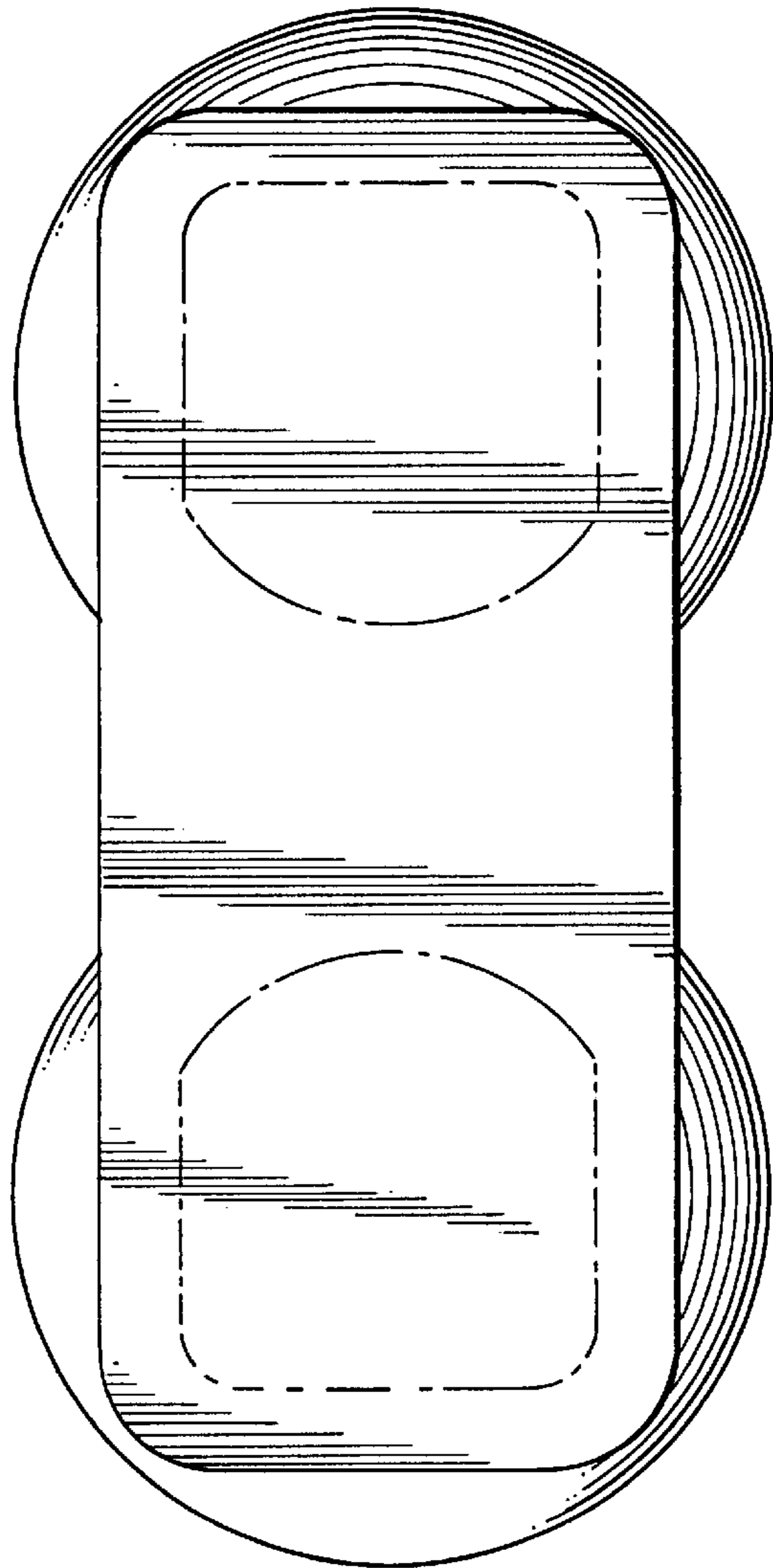


FIG. 6

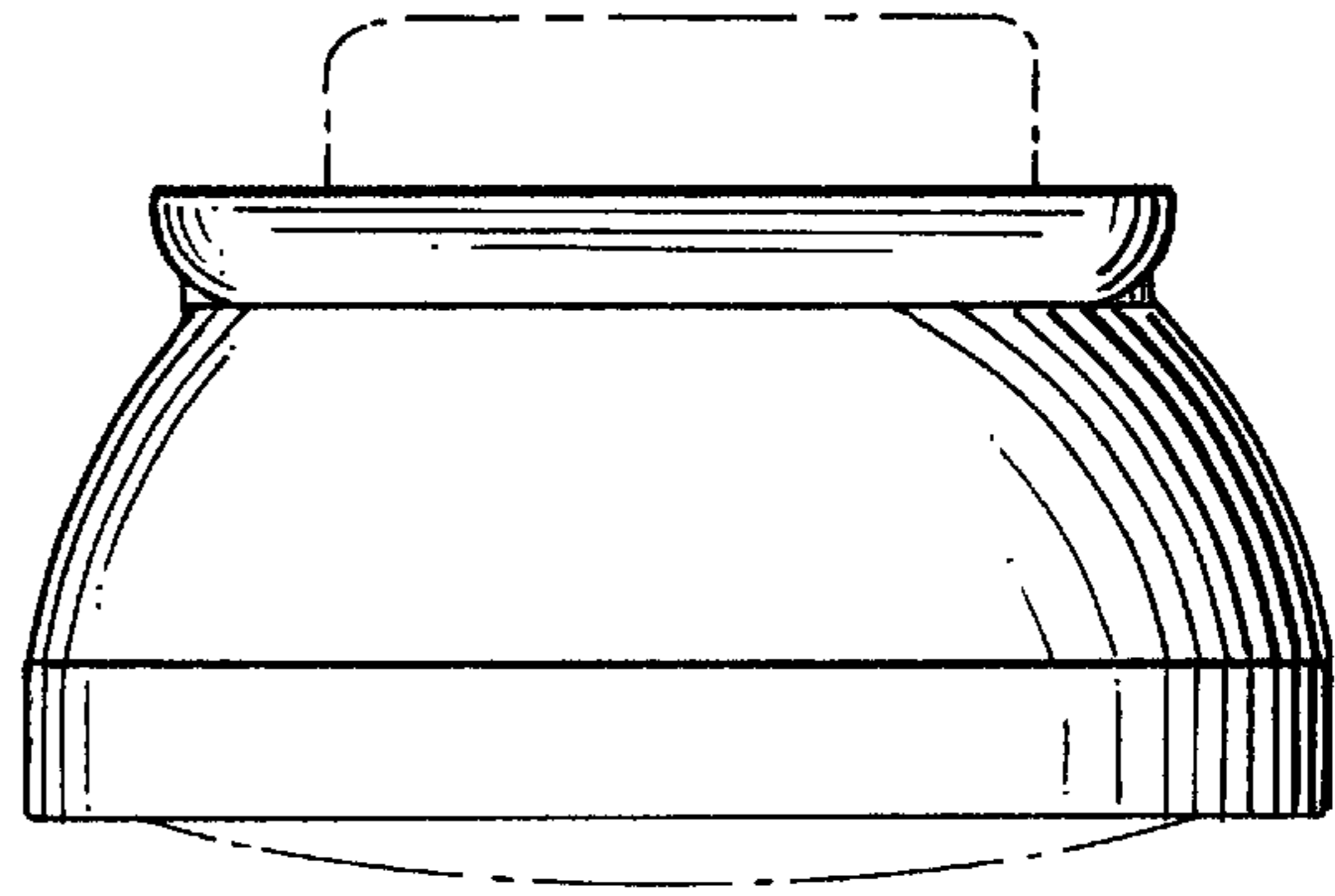


FIG. 7