



US00D469191S

(12) **United States Design Patent**
Liu

(10) **Patent No.:** **US D469,191 S**

(45) **Date of Patent:** **** Jan. 21, 2003**

(54) **STAND FOR AN OIL LAMP**

D364,238 S * 11/1995 Hung D26/9

* cited by examiner

(75) Inventor: **Chung-Ye Liu, Taipei (TW)**

Primary Examiner—Robin V. Taylor

(73) Assignee: **Dalvey Products Supply Ltd. (TW)**

(74) *Attorney, Agent, or Firm*—Jackson Walker L.L.P.

(**) Term: **14 Years**

(57) **CLAIM**

The ornamental design for a stand for an oil lamp, as shown.

(21) Appl. No.: **29/152,638**

DESCRIPTION

(22) Filed: **Dec. 21, 2001**

(51) **LOC (7) Cl.** **26-01**

(52) **U.S. Cl.** **D26/23**

(58) **Field of Search** D26/23, 9, 10,
D26/11, 114, 116; 431/291

FIG. 1 is a perspective view of a stand for an oil lamp, showing my new design;

FIG. 2 is a front elevational view thereof;

FIG. 3 is a rear elevational view thereof;

FIG. 4 is a left elevational view thereof;

FIG. 5 is a right elevational view thereof;

FIG. 6 is top plan view thereof;

FIG. 7 is a bottom plan view thereof; and,

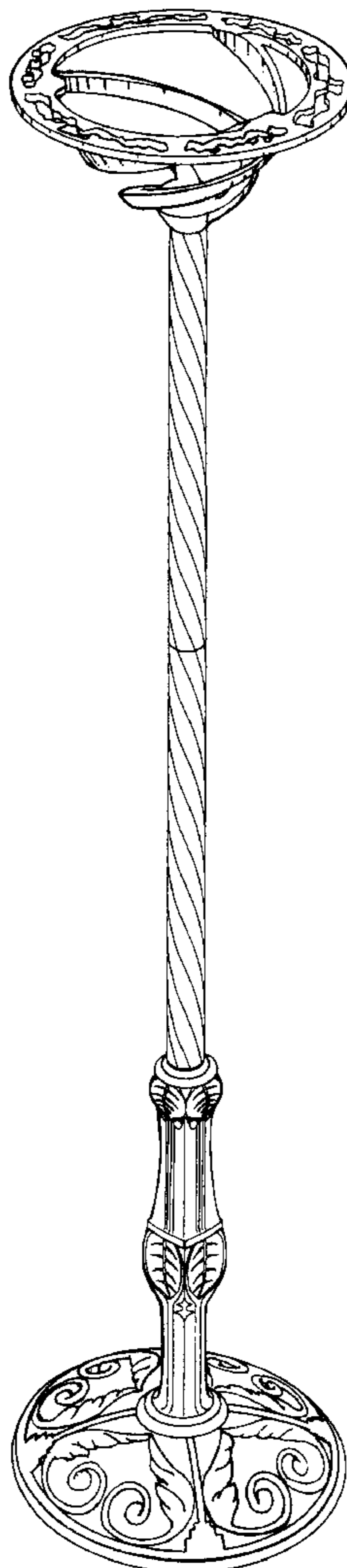
FIG. 8 is a perspective view thereof, showing an oil lamp mounted in the top in broken lines which are or illustrative purposes only and forming no part of the claimed design.

(56) **References Cited**

U.S. PATENT DOCUMENTS

- D91,832 S * 3/1934 Liska D26/9
- D154,231 S * 6/1949 Banker D26/9
- D281,015 S * 10/1985 Sher D26/9

1 Claim, 5 Drawing Sheets



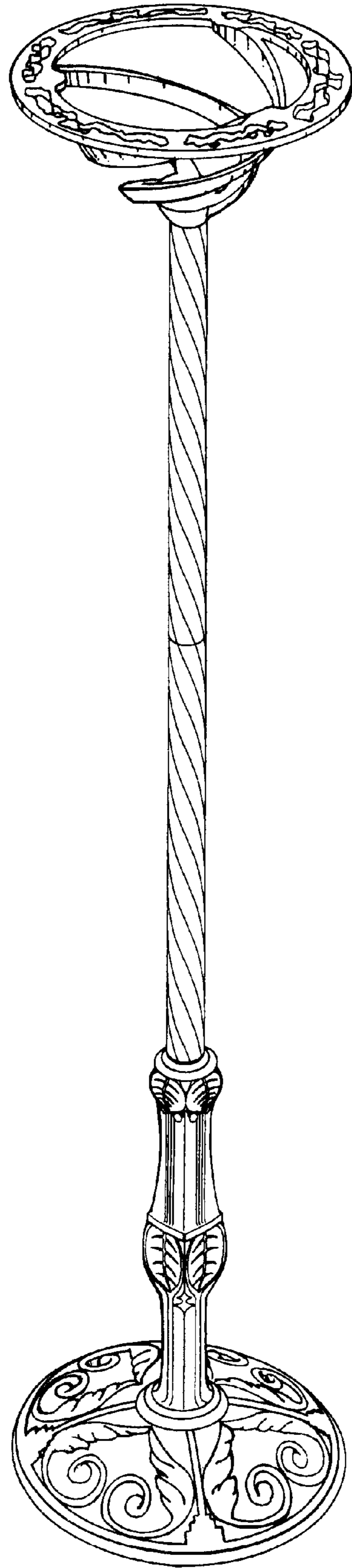


FIG. 1

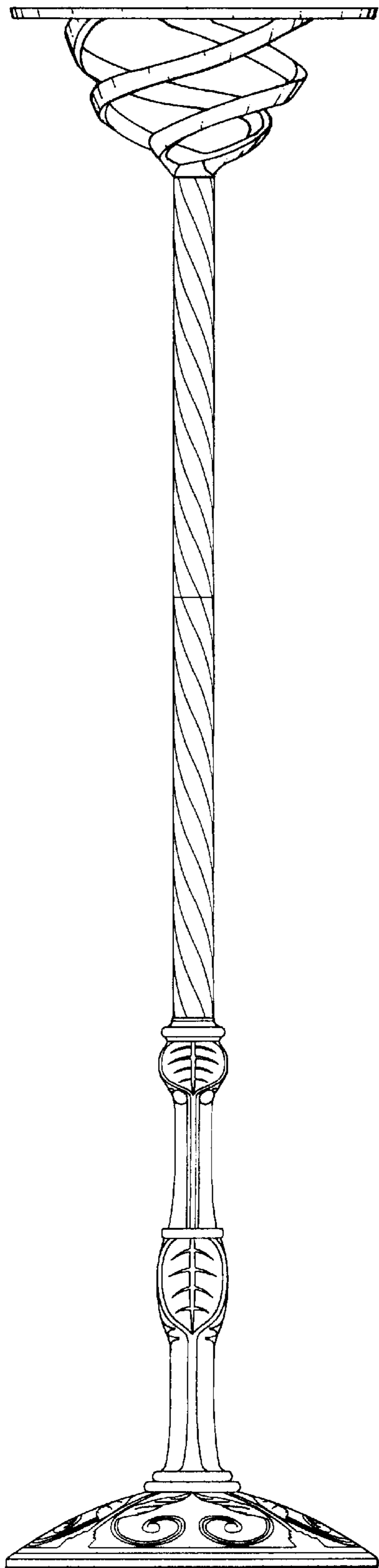


FIG. 3

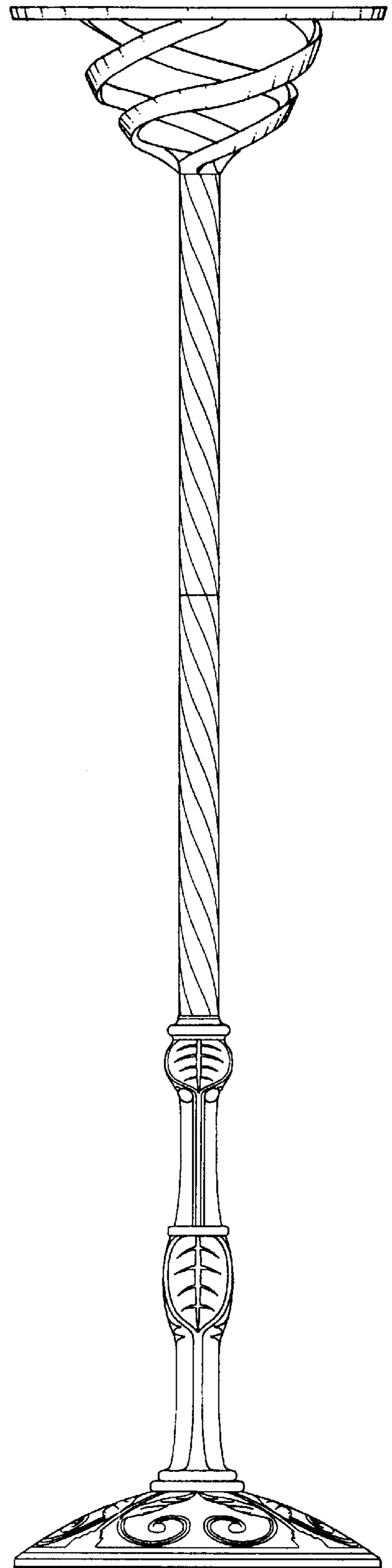


FIG. 2

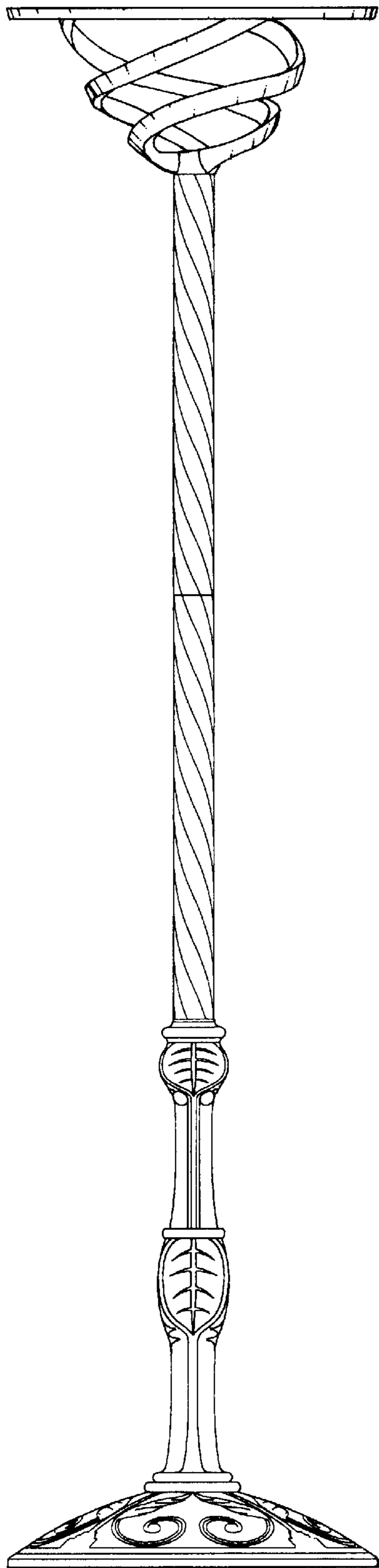


FIG.5

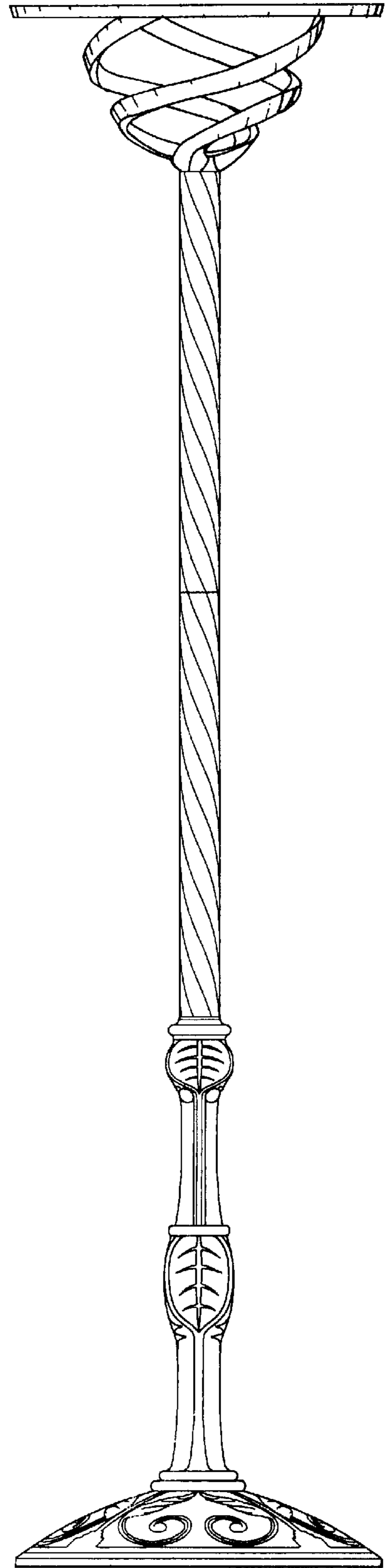


FIG.4



FIG. 6

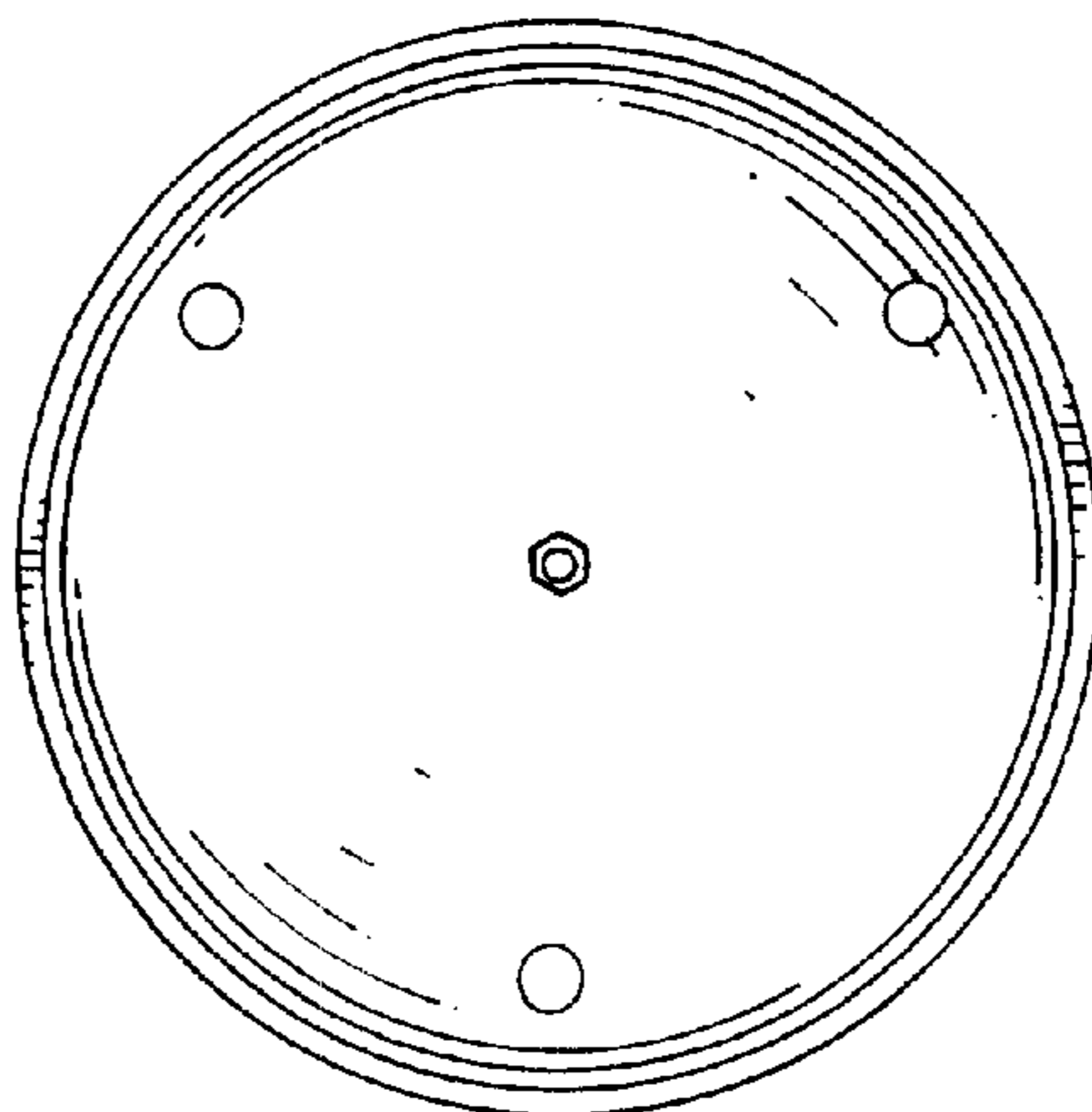


FIG. 7

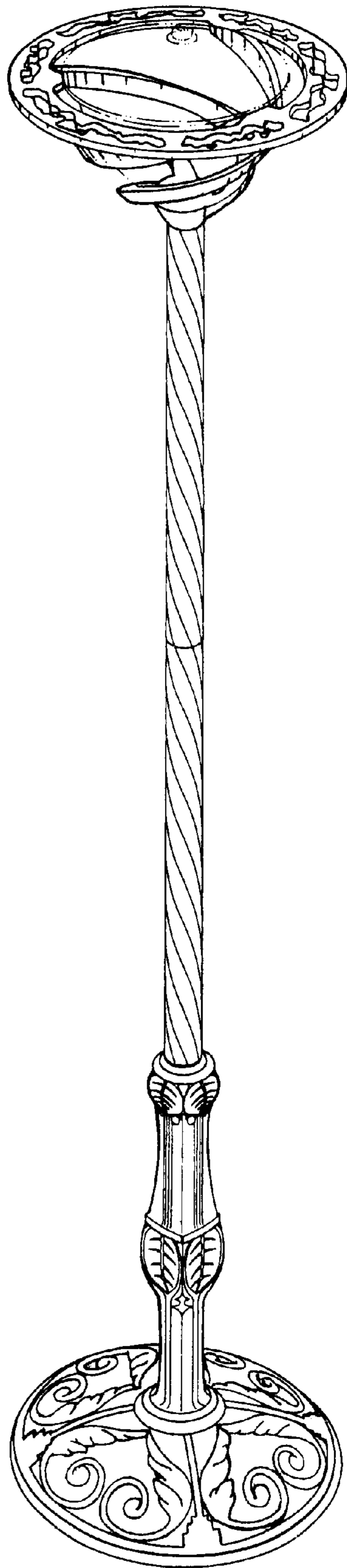


FIG. 8