



US00D469175S

(12) **United States Design Patent**
Hall et al.

(10) **Patent No.:** **US D469,175 S**

(45) **Date of Patent:** **** Jan. 21, 2003**

(54) **FLUID DRAINAGE CANISTER AND TUBE**

(75) Inventors: **Colin Hall**, Poole (GB); **Keith Patrick Heaton**, Poole (GB)

(73) Assignee: **KCI Licensing, Inc.**, San Antonio, TX (US)

(**) Term: **14 Years**

(21) Appl. No.: **29/154,076**

(22) Filed: **Jan. 16, 2002**

(51) **LOC (7) Cl.** **24-01**

(52) **U.S. Cl.** **D24/108; D24/111**

(58) **Field of Search** **D24/111, 108; 600/573; 604/319, 320, 317, 35, 34, 19, 118, 318**

(56) **References Cited**

U.S. PATENT DOCUMENTS

5,382,244 A * 1/1995 Telang D24/108
5,466,229 A * 11/1995 Elson et al. 604/319

5,662,627 A * 9/1997 Say 604/319

D426,881 S * 6/2000 Valerio et al. D24/108

6,368,310 B1 * 4/2002 Bemis et al. 604/317

* cited by examiner

Primary Examiner—Ian Simmons

(74) *Attorney, Agent, or Firm*—Nadeem G. Bridi

(57) **CLAIM**

The ornamental design for a fluid drainage canister and tube, as shown and described.

DESCRIPTION

FIG. 1 is a perspective view of a fluid drainage canister and tube showing our new design;

FIG. 2 is a left side elevational view thereof;

FIG. 3 is a right side elevational view thereof;

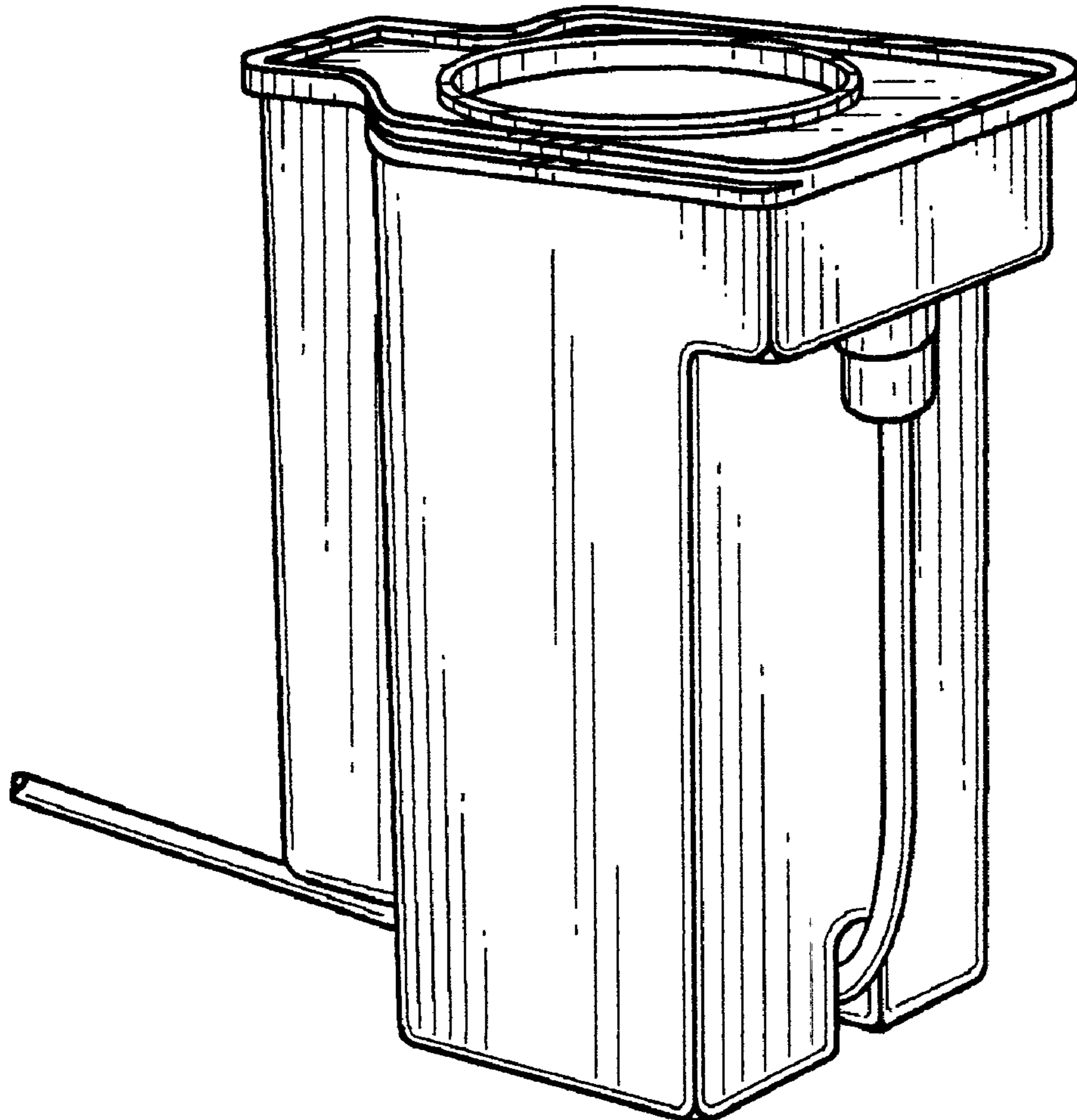
FIG. 4 is a rear elevational view thereof;

FIG. 5 is a front elevational view thereof;

FIG. 6 is a top plan view thereof; and,

FIG. 7 is a bottom plan view thereof.

1 Claim, 3 Drawing Sheets



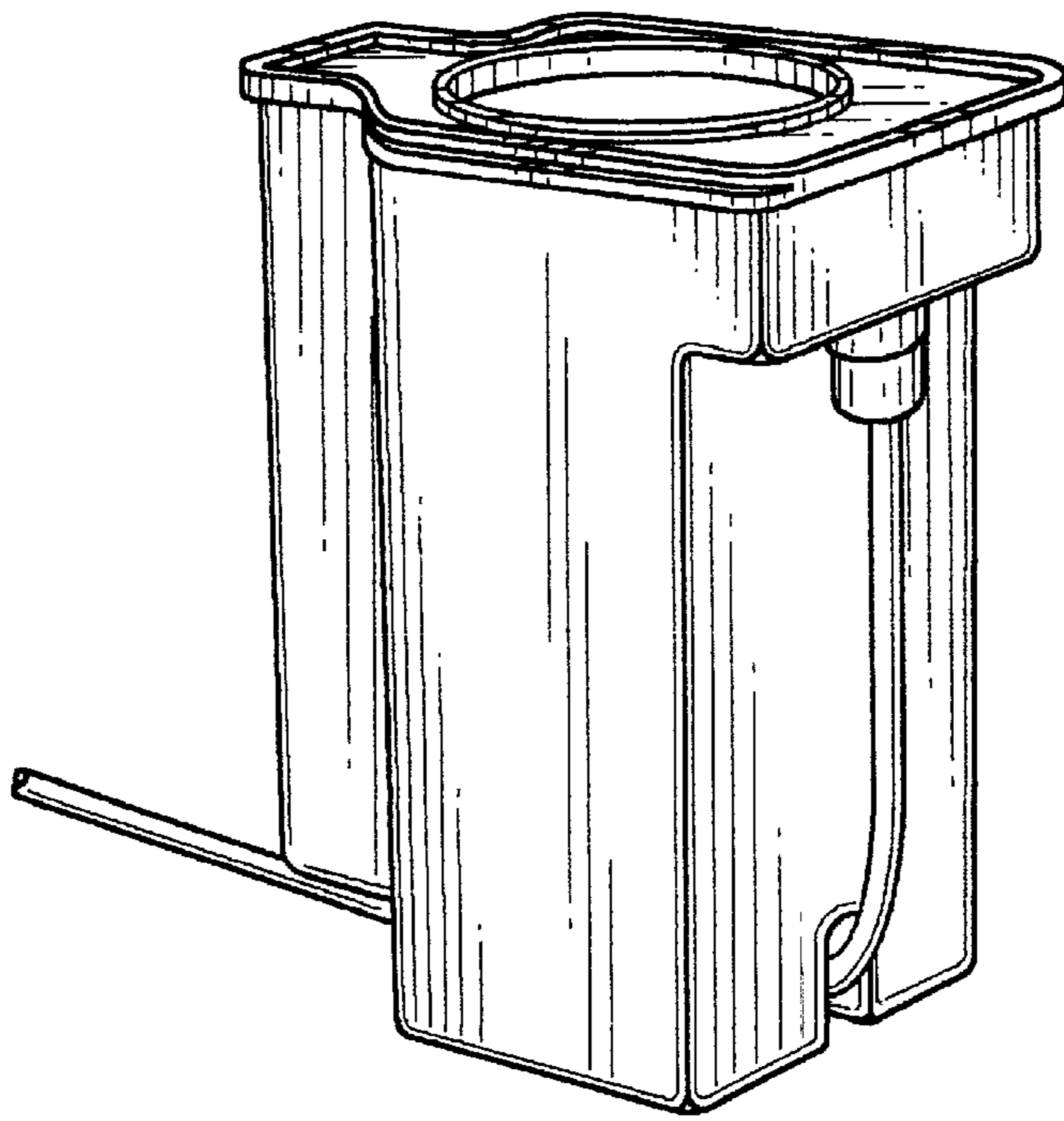


Fig. 1

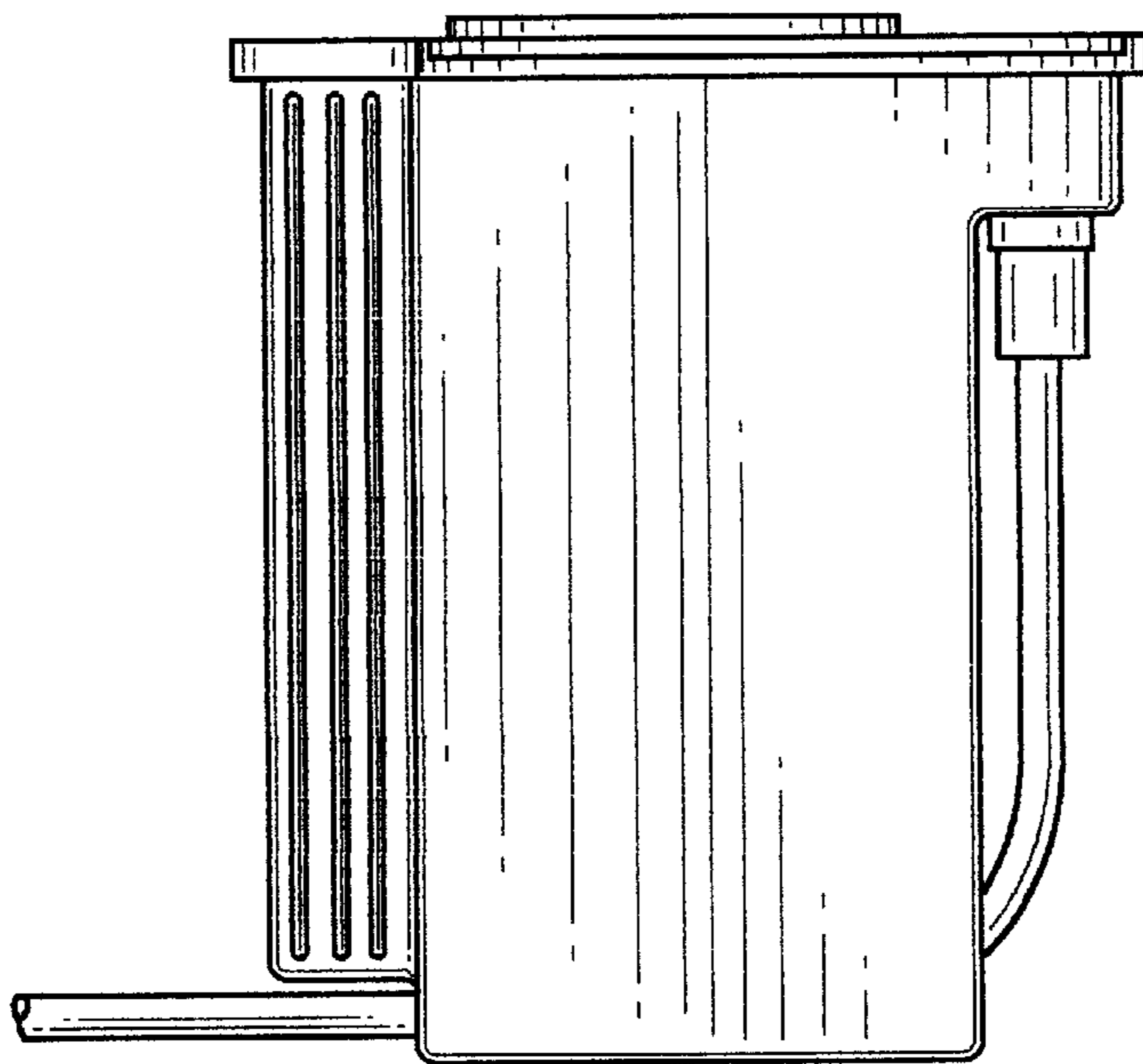


Fig. 2

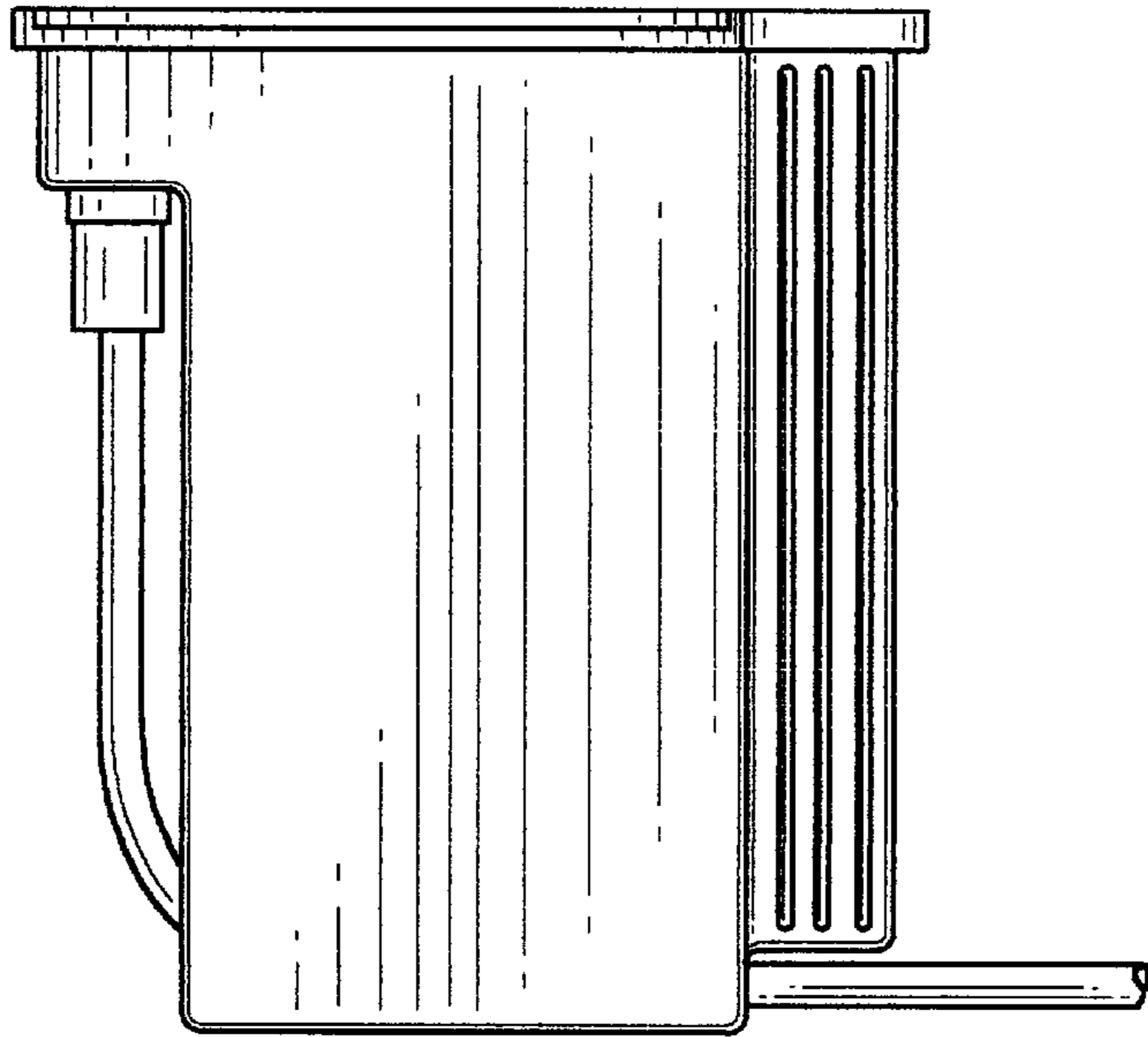


Fig. 3

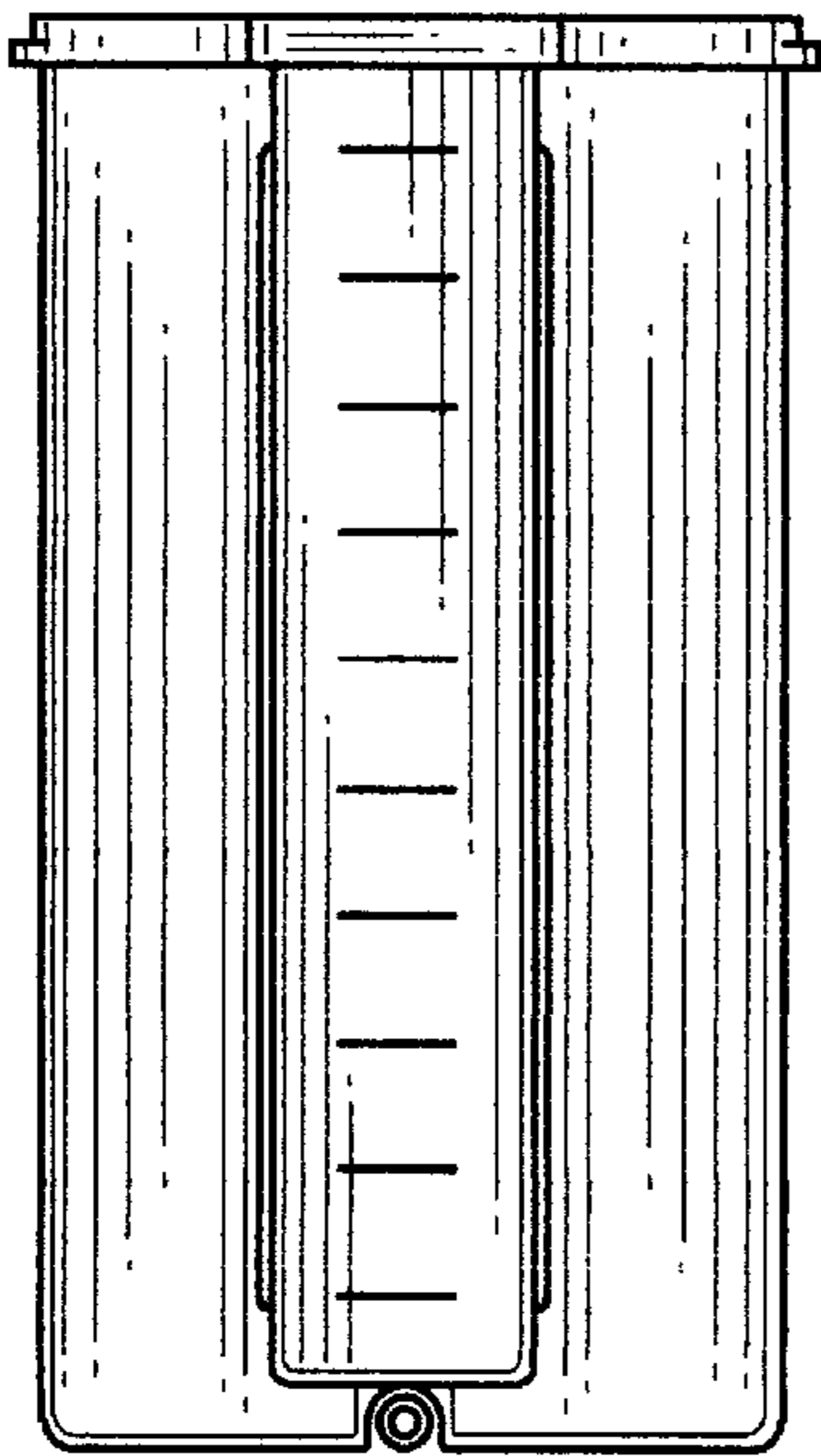


Fig. 4

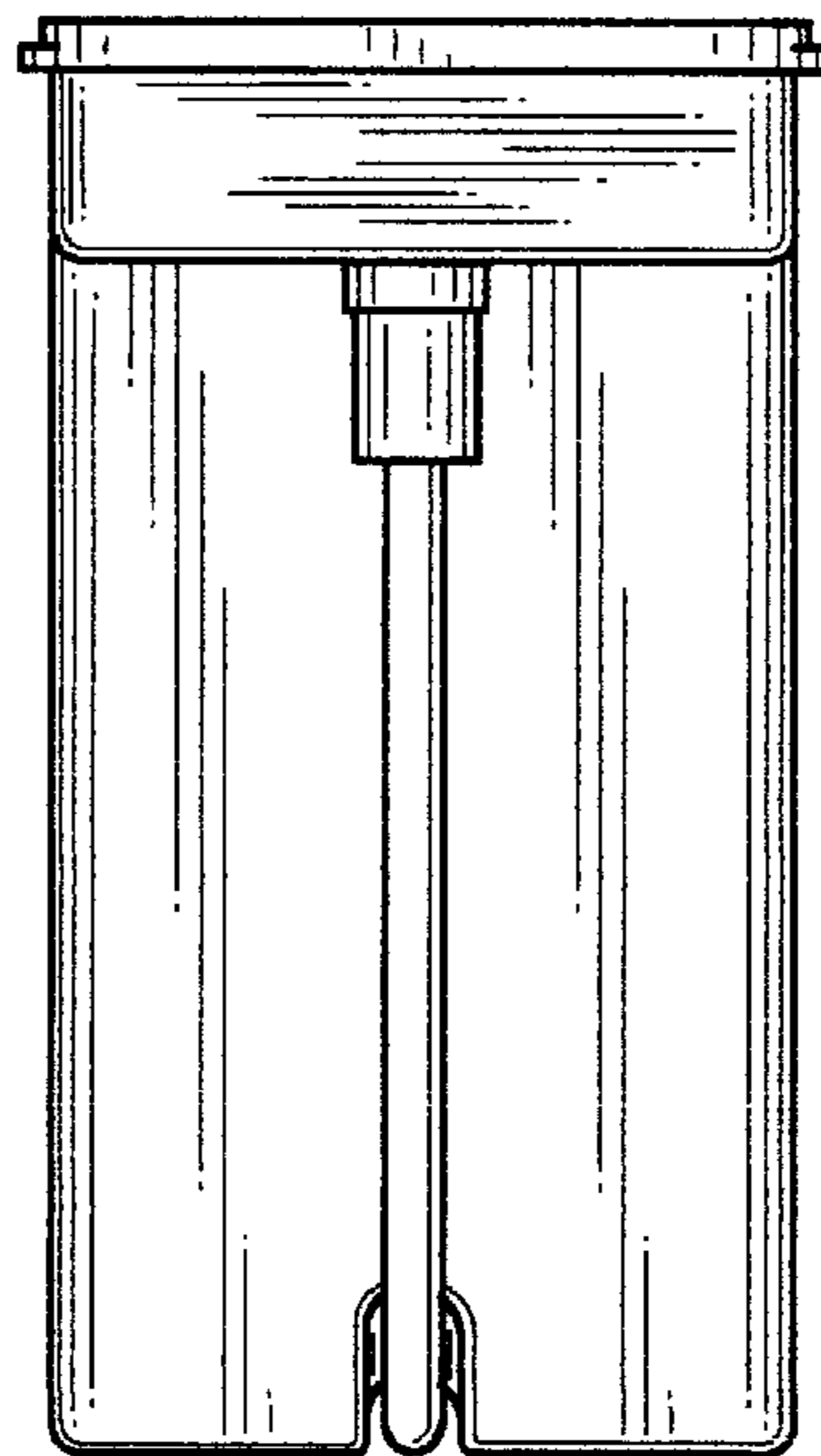


Fig. 5

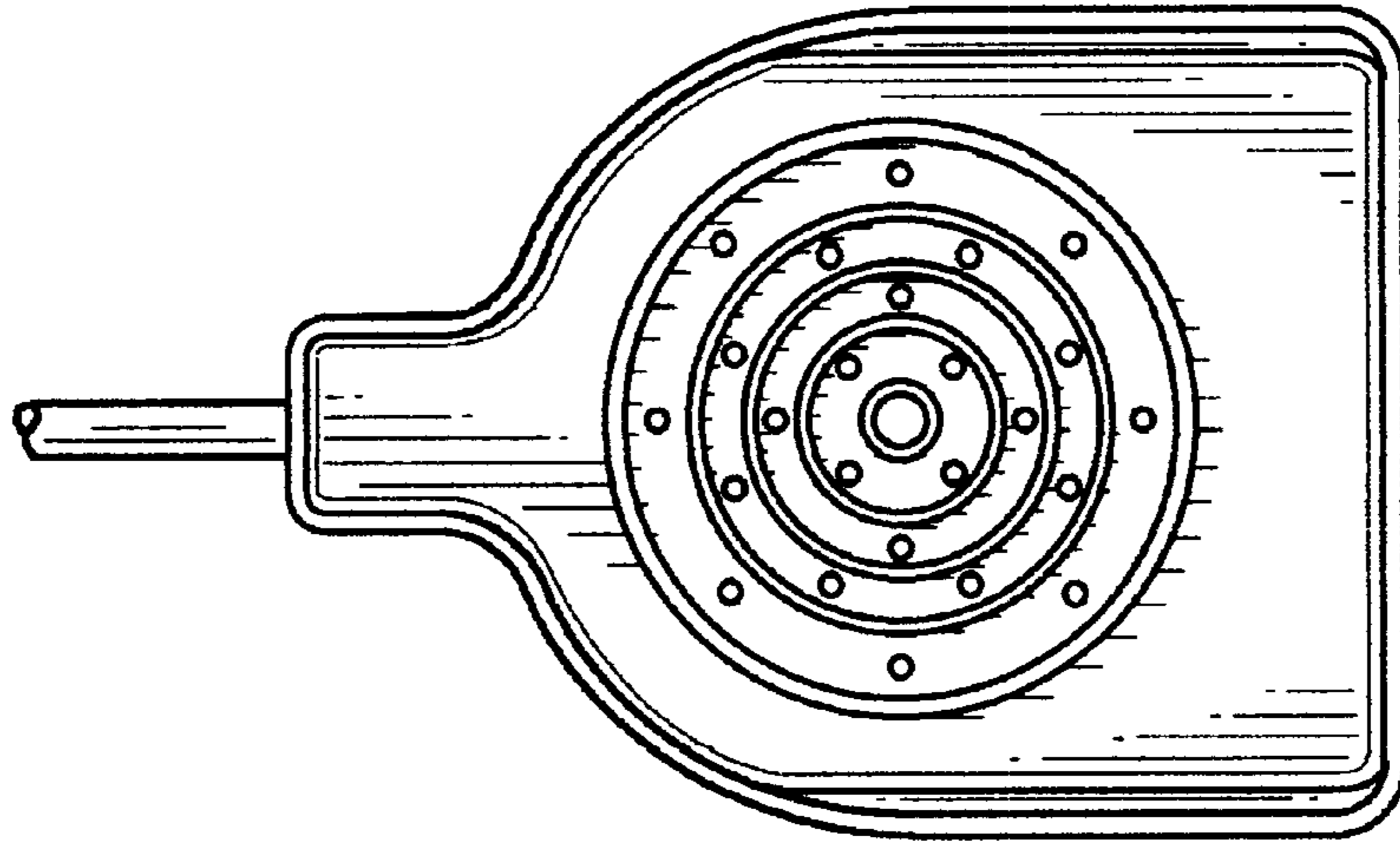


Fig. 6

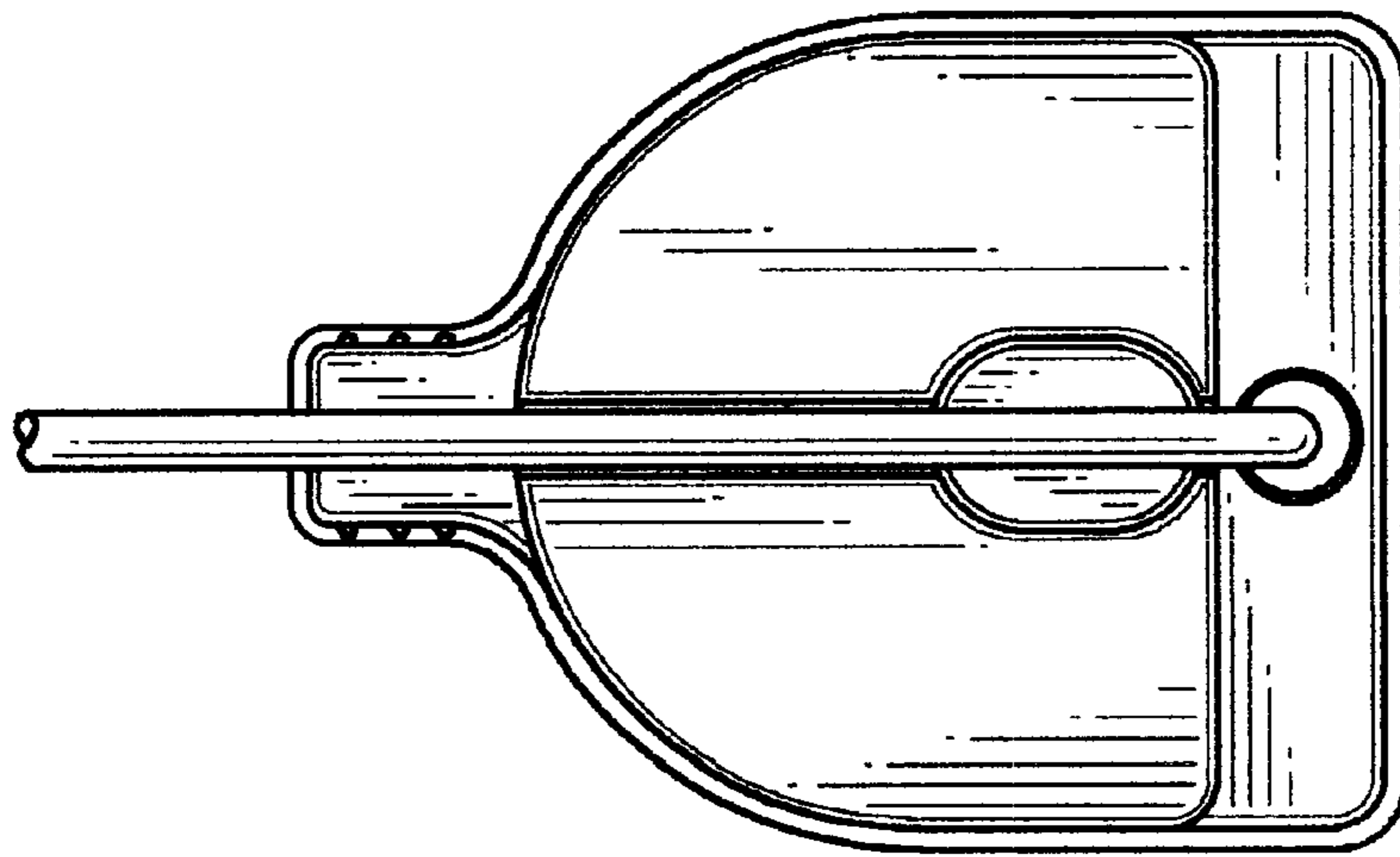


Fig. 7