



US00D469173S

(12) **United States Design Patent**
Kawanori et al.

(10) **Patent No.:** **US D469,173 S**

(45) **Date of Patent:** **** Jan. 21, 2003**

(54) **AIR CONDITIONER**

(75) Inventors: **Yukihiko Kawanori**, Tokyo (JP);
Takaki Shimizu, Tokyo (JP); **Hiroshi Tsutsumi**, Tokyo (JP); **Koji Taki**, Tokyo (JP)

(73) Assignee: **Mitsubishi Denki Kabushiki Kaisha**, Tokyo (JP)

(**) Term: **14 Years**

(21) Appl. No.: **29/154,116**

(22) Filed: **Jan. 22, 2002**

(30) **Foreign Application Priority Data**

Nov. 5, 2001 (JP) 2001-032554

(51) **LOC (7) Cl.** **23-04**

(52) **U.S. Cl.** **D23/351**

(58) **Field of Search** D23/351-354;
62/259.1, 259.4, 262, 263, 298, 285; 312/236;
165/122; 454/201-204

(56) **References Cited**

U.S. PATENT DOCUMENTS

D283,838 S * 5/1986 Kimura D23/354

4,702,087 A * 10/1987 Nakajima et al. 62/285
D323,209 S * 1/1992 Fukumoto et al. D23/351
D331,458 S * 12/1992 Saito et al. D23/351
D398,974 S * 9/1998 Aihara D23/351
D426,292 S * 6/2000 Nanjo D23/351

* cited by examiner

Primary Examiner—B. J. Bullock

(74) *Attorney, Agent, or Firm*—Oblon, Spivak, McClelland, Maier & Neustadt, P.C.

(57) **CLAIM**

The ornamental design for an air conditioner, as shown and described.

DESCRIPTION

FIG. 1 is a front, top and right side perspective view of an air conditioner, showing our new design;
FIG. 2 is a front elevational view thereof;
FIG. 3 is a rear elevational view thereof;
FIG. 4 is a top plan view thereof, the bottom plan view is omitted as that is symmetrical to the top plan view thereof; and,
FIG. 5 is a right side elevational view thereof, the left side elevational view is omitted as that is symmetrical to the right side elevational view thereof.

1 Claim, 3 Drawing Sheets

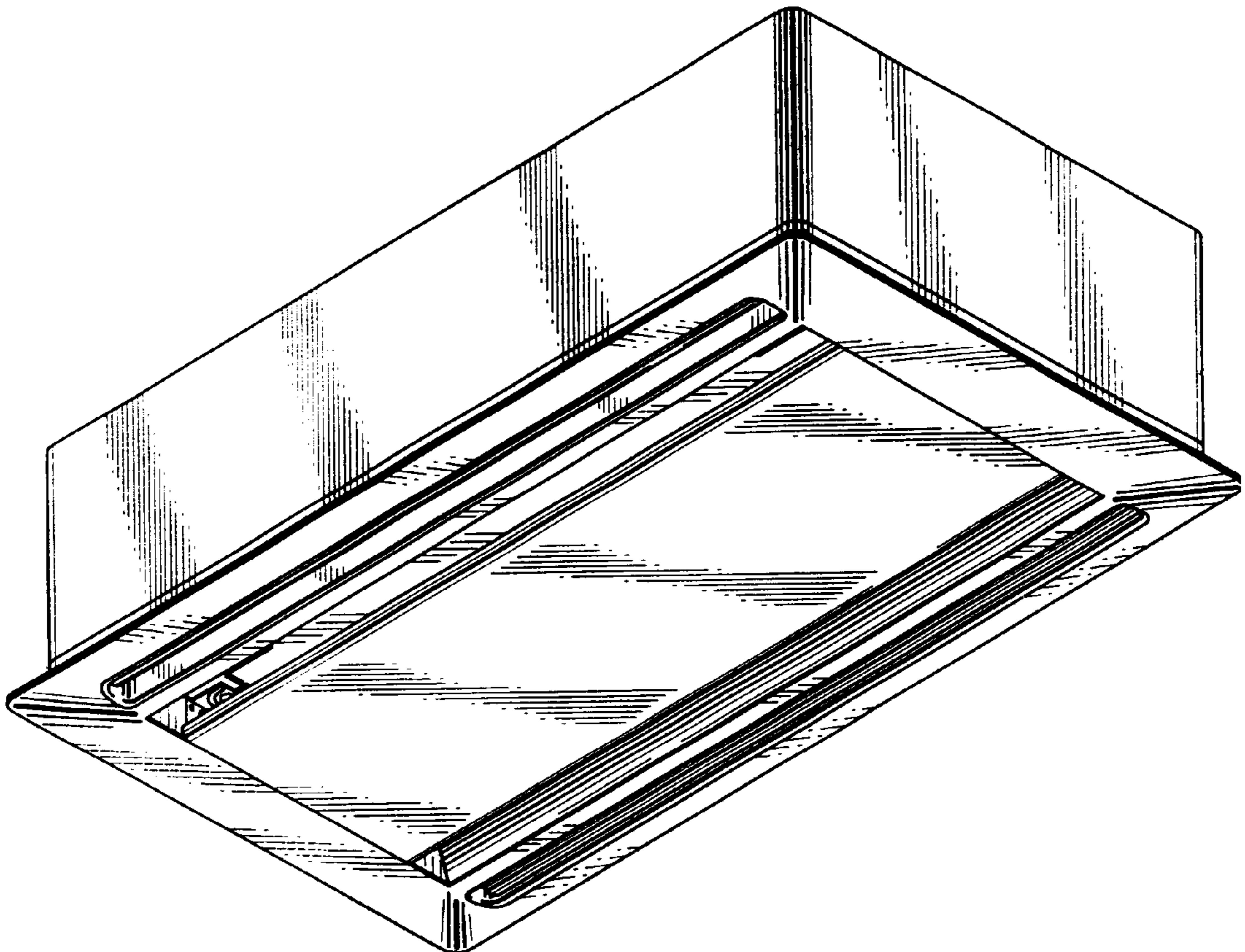


FIG. 1

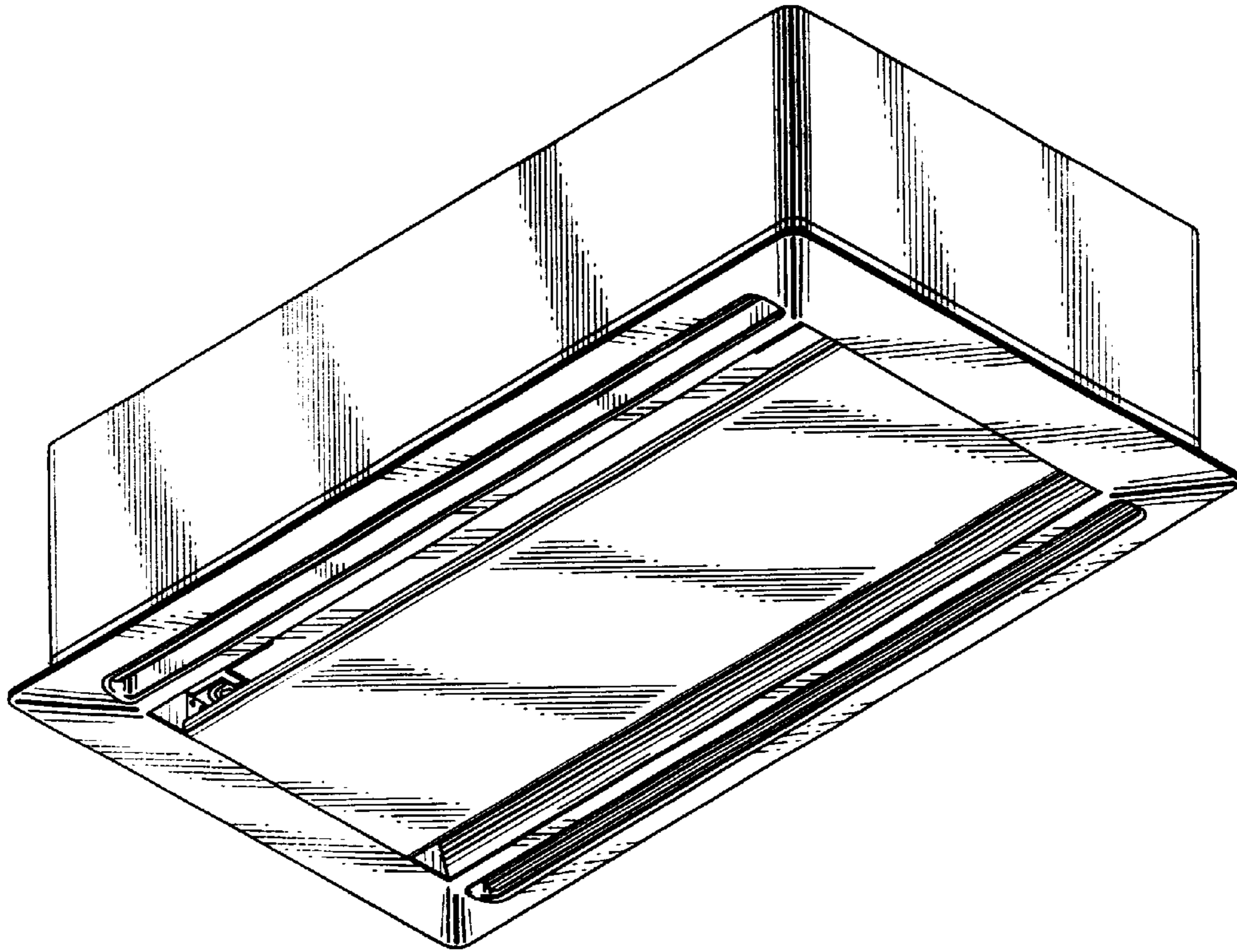


FIG. 2

6 ←

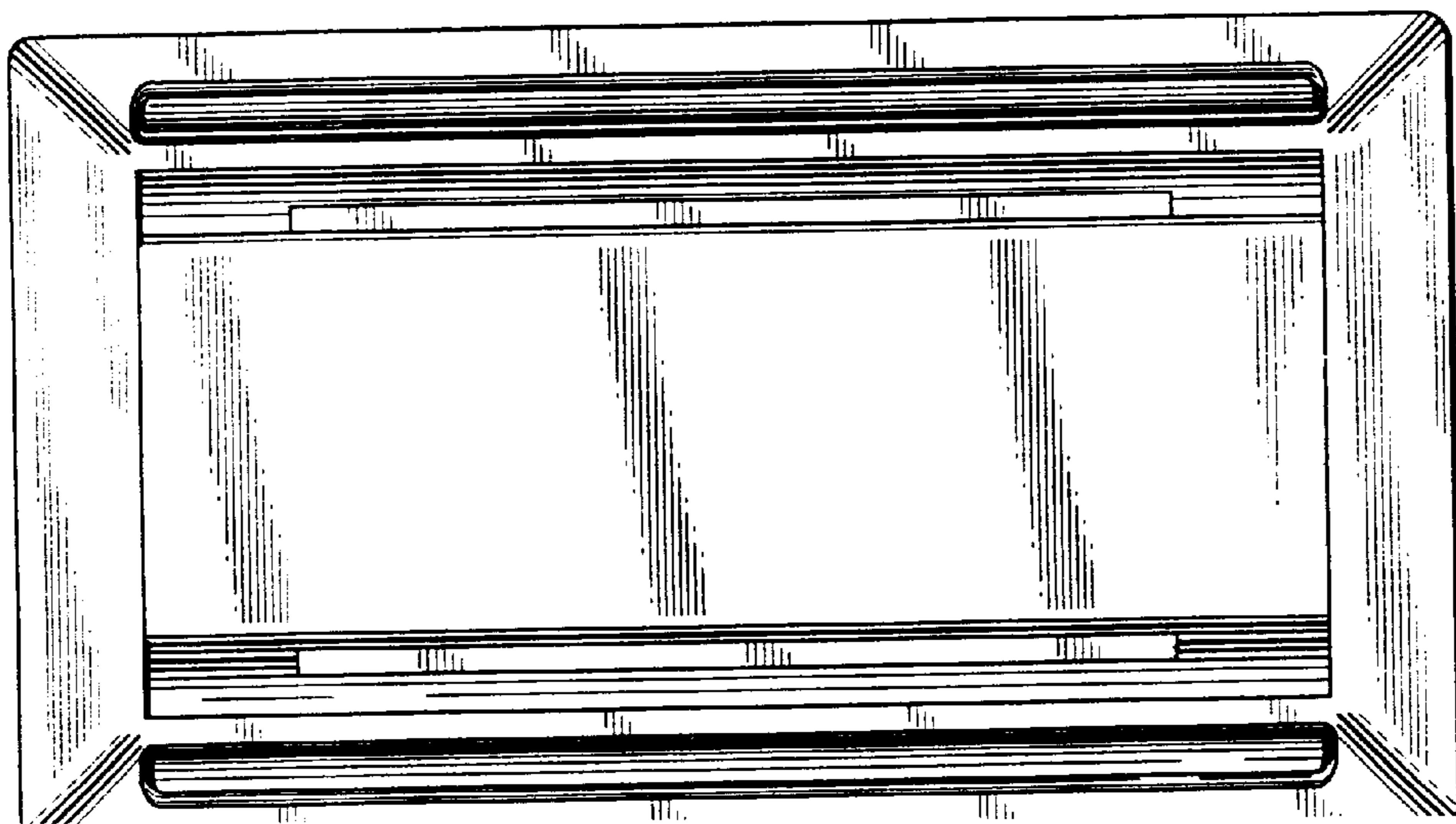


FIG.3

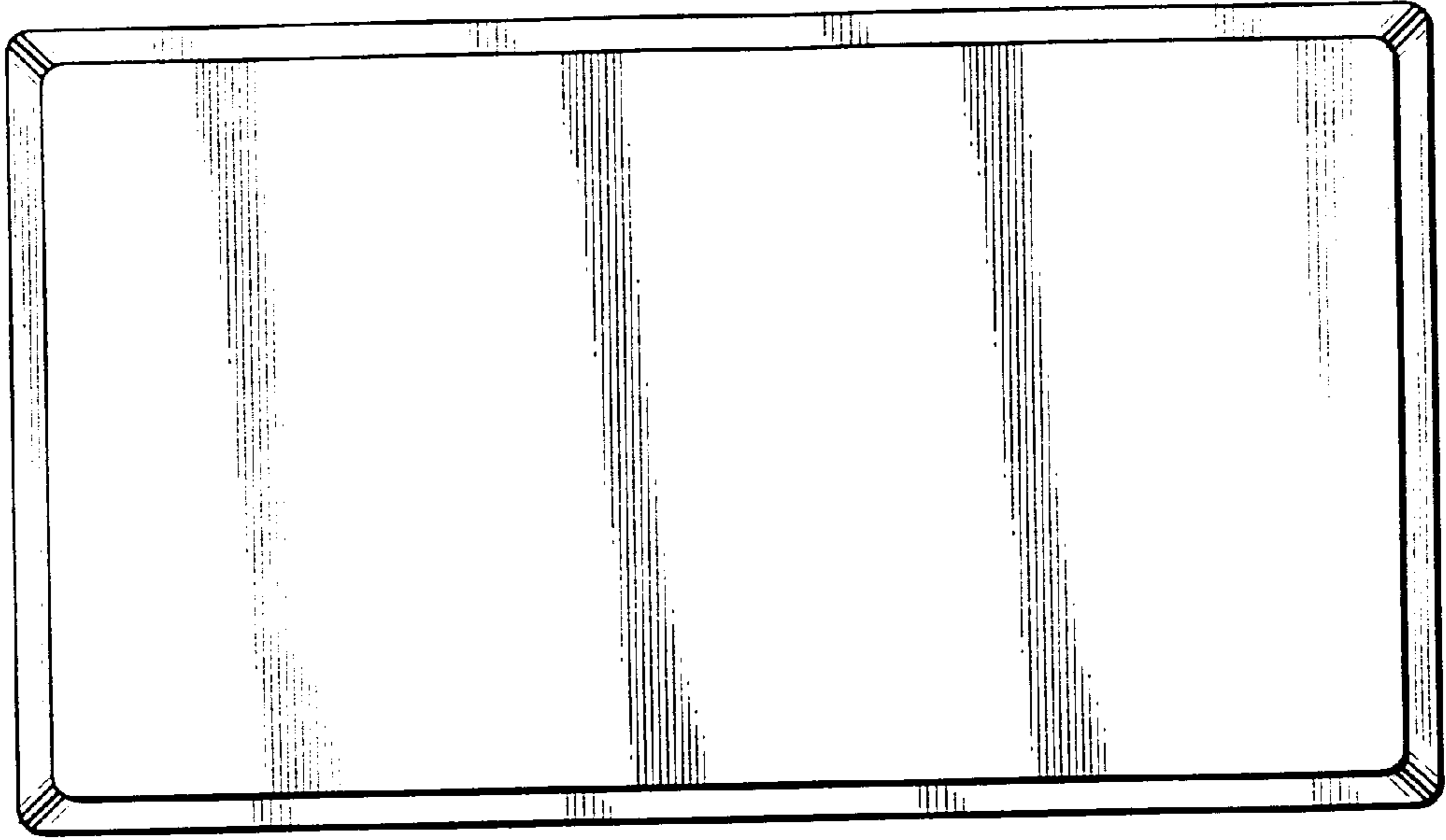


FIG.4

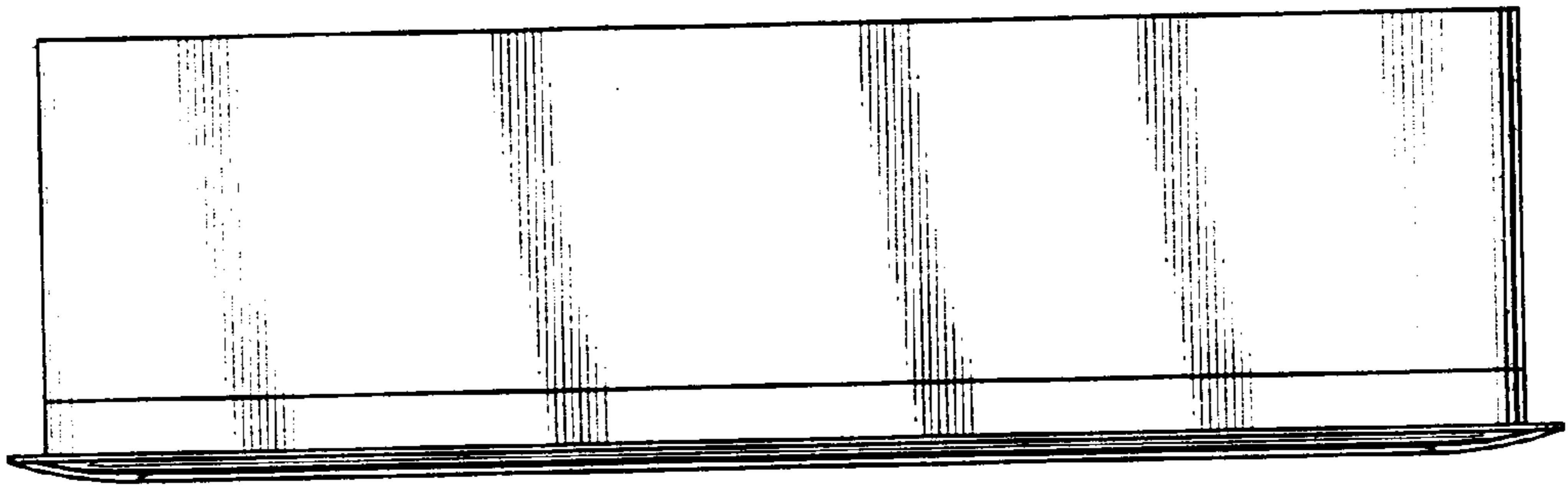


FIG. 5

