



US00D469169S

(12) **United States Design Patent**
Roberts

(10) **Patent No.:** **US D469,169 S**

(45) **Date of Patent:** **** Jan. 21, 2003**

(54) **SINK**

D421,104 S * 2/2000 Kawamura D23/284

(76) **Inventor:** **Samuel K. Roberts**, 20 Morgan Ct.,
Lincoln, RI (US) 02865

* cited by examiner

(**) **Term:** **14 Years**

Primary Examiner—Louis S. Zarfaz
Assistant Examiner—Robert A. Delehanty

(21) **Appl. No.:** **29/162,994**

(57) **CLAIM**

(22) **Filed:** **Jun. 25, 2002**

The ornamental design for a sink, as shown and described.

(51) **LOC (7) Cl.** **23-02**

DESCRIPTION

(52) **U.S. Cl.** **D23/290**

FIG. 1 is a front top perspective view of a sink embodying my design

(58) **Field of Search** D23/284–285,
D23/287, 290, 292, 293.1, 308; 4/619,
625, 627, 630–635, 637, 639–640, 642–652,
660

FIG. 2 is a left, front top perspective view thereof

FIG. 3 is a top plan view thereof;

FIG. 4 is an bottom plan view thereof;

FIG. 5 is a left side elevation view thereof;

FIG. 6 is a front elevation view thereof; and,

FIG. 7 is a top plan view of an alternative embodiment of my new design.

(56) **References Cited**

U.S. PATENT DOCUMENTS

- 580,136 A * 4/1897 Lloyd 4/651
- D295,068 S * 4/1988 Kohler, Jr. et al. D23/290
- D355,023 S * 1/1995 Kolada D23/290
- D387,138 S * 12/1997 Anderson D23/285

The broken line showing of plumbing holes is for illustrative purposes only and forms no part of the claimed design.

1 Claim, 3 Drawing Sheets

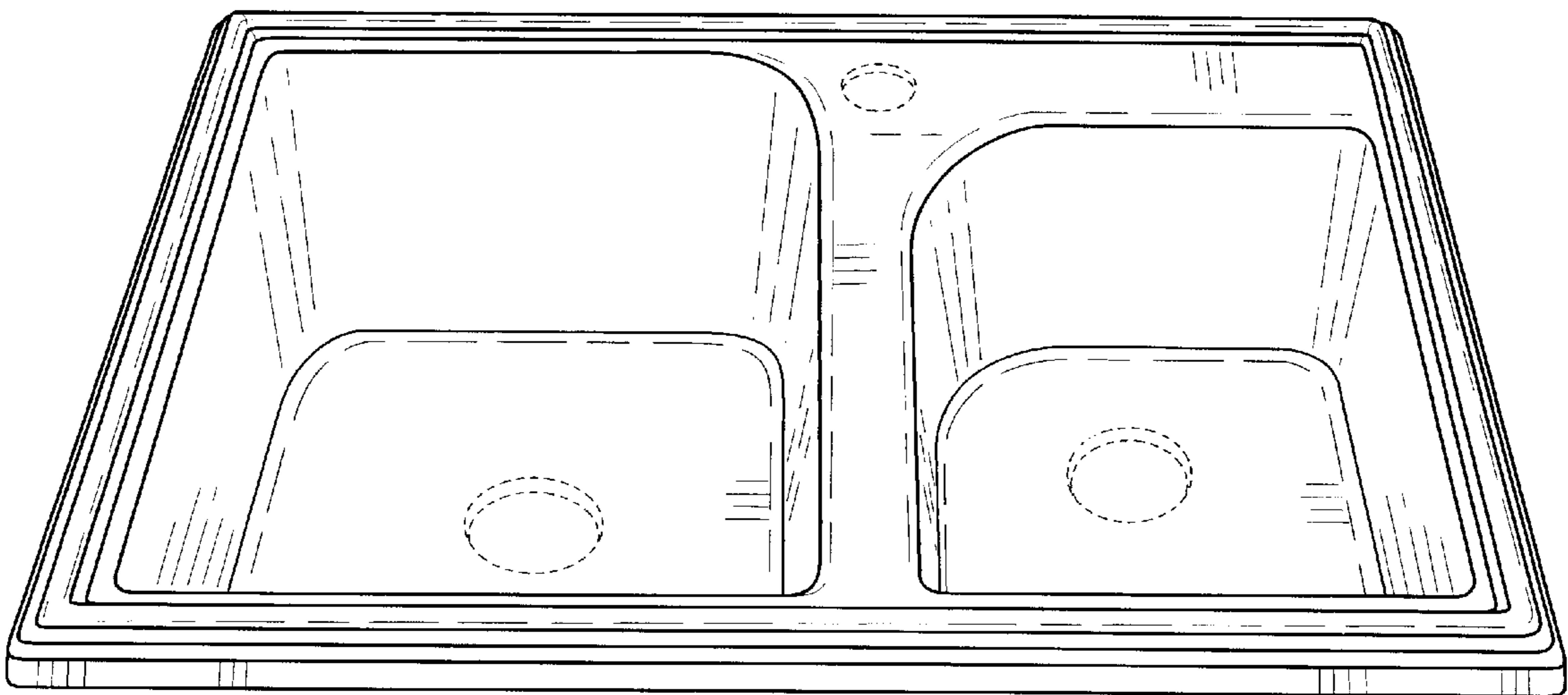


FIG. 1

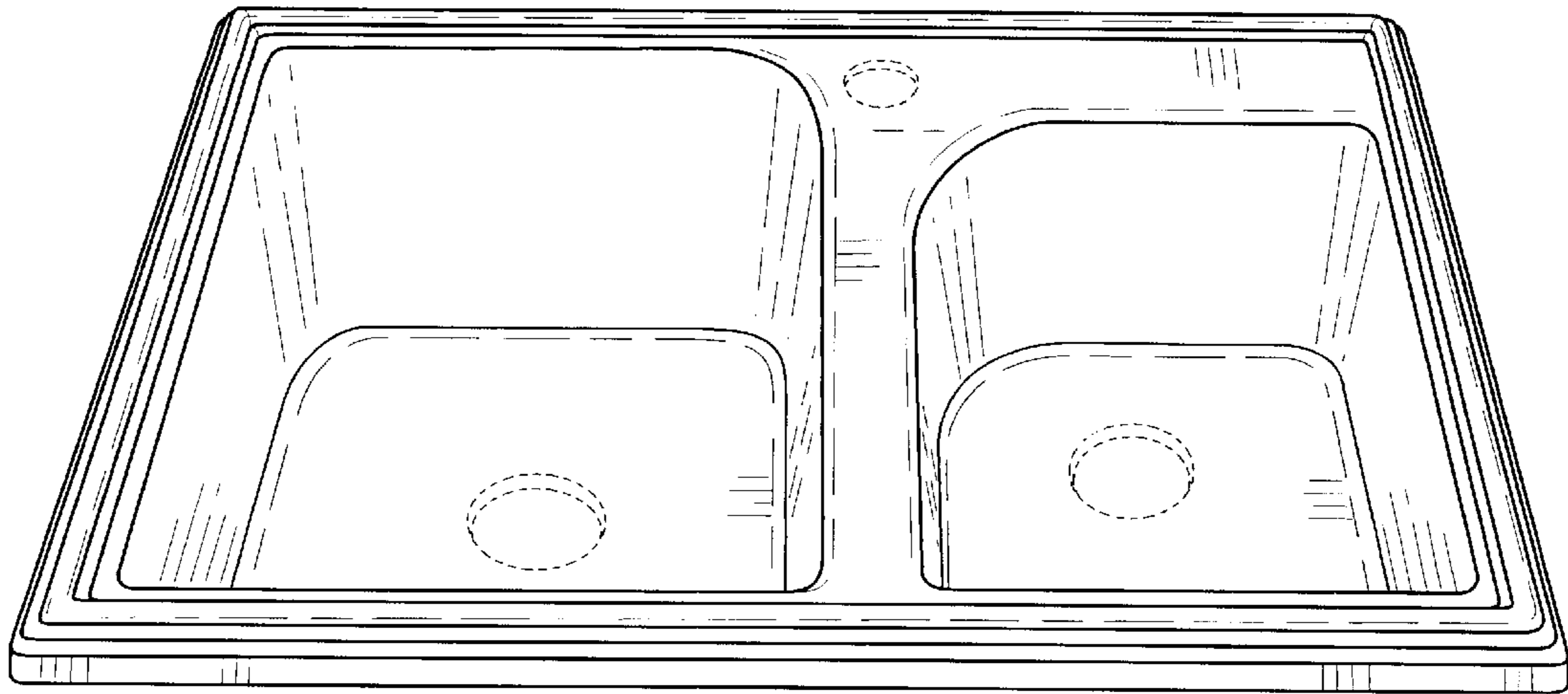


FIG. 2

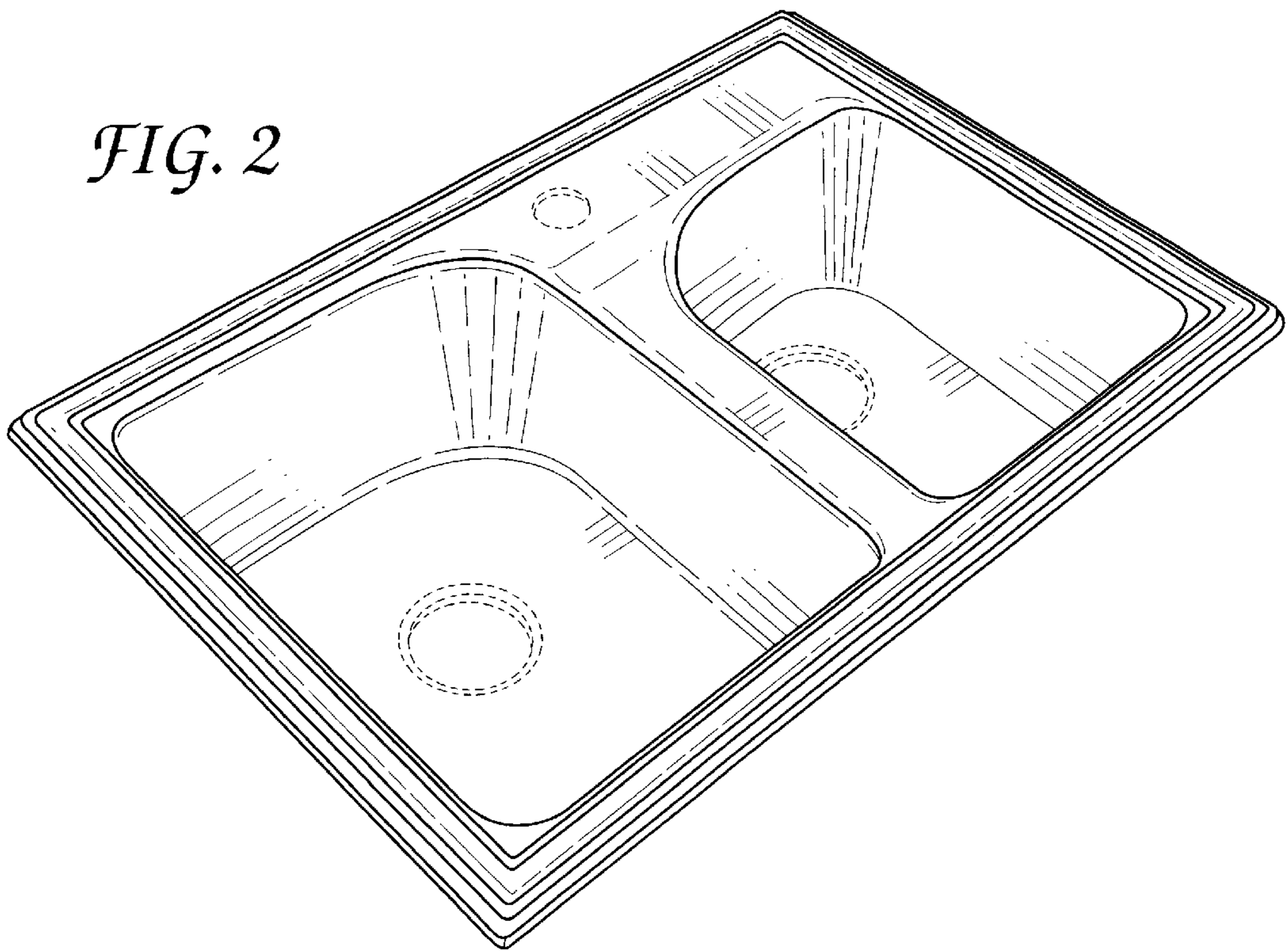


FIG. 3

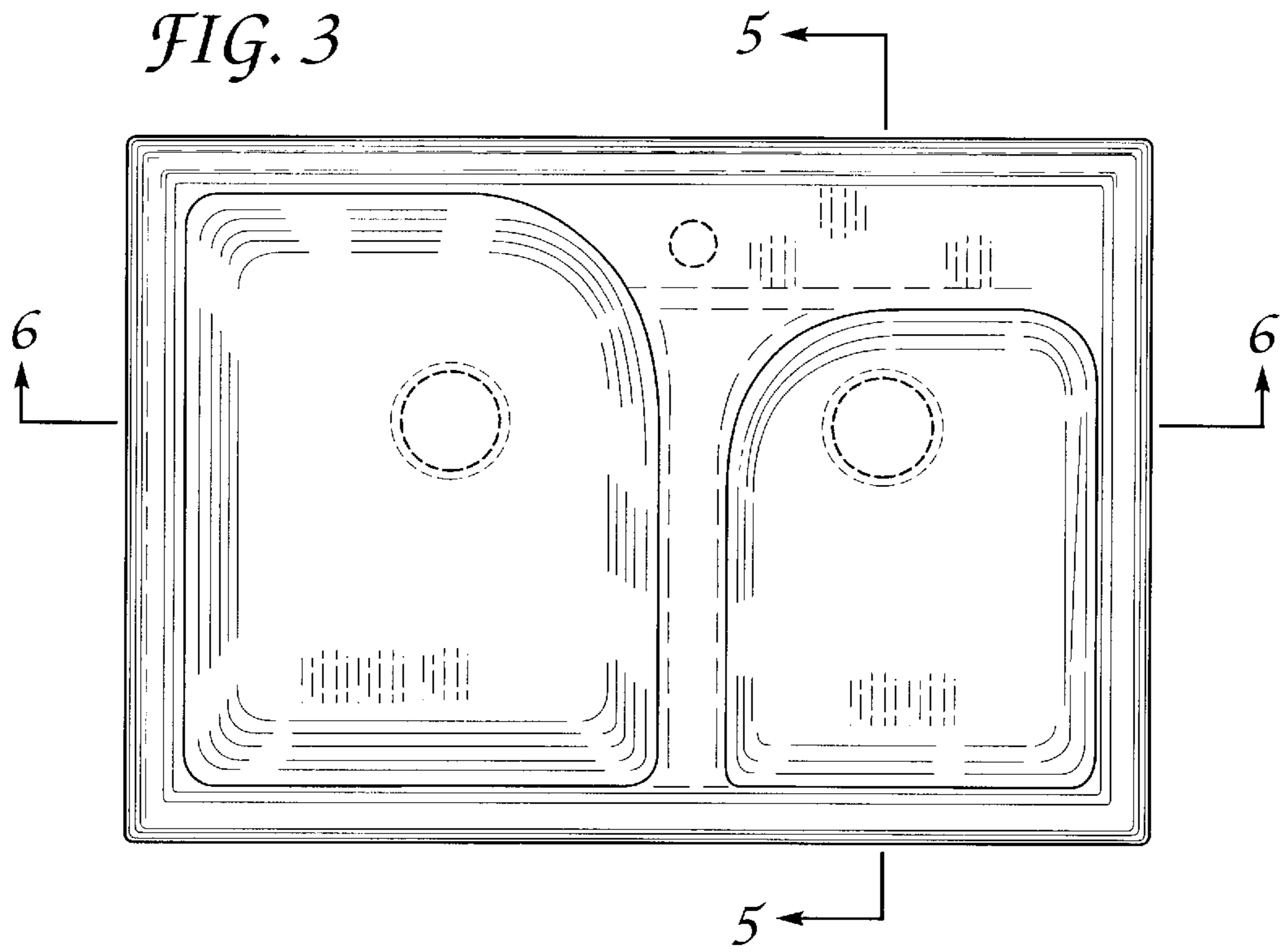


FIG. 4

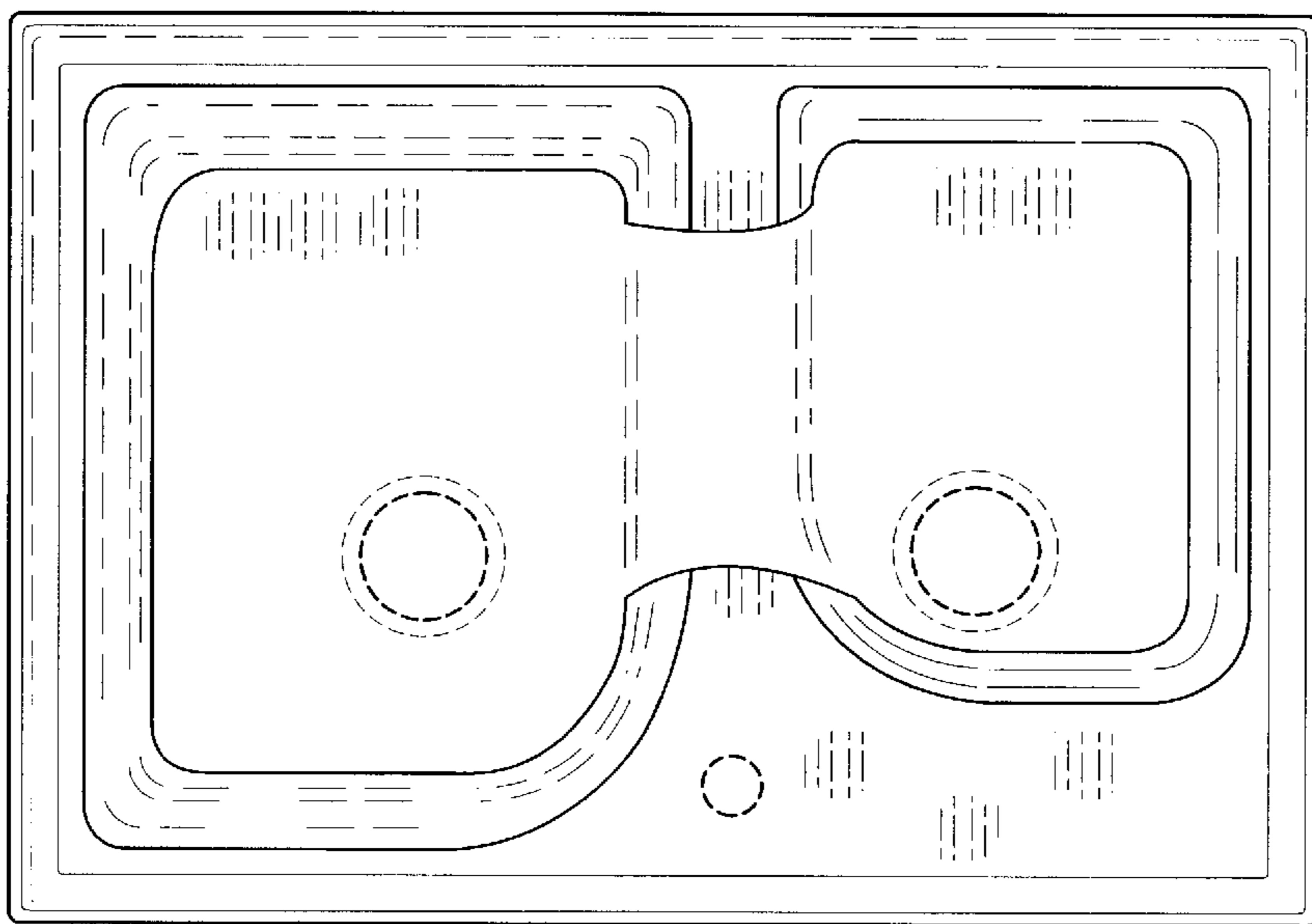


FIG. 5

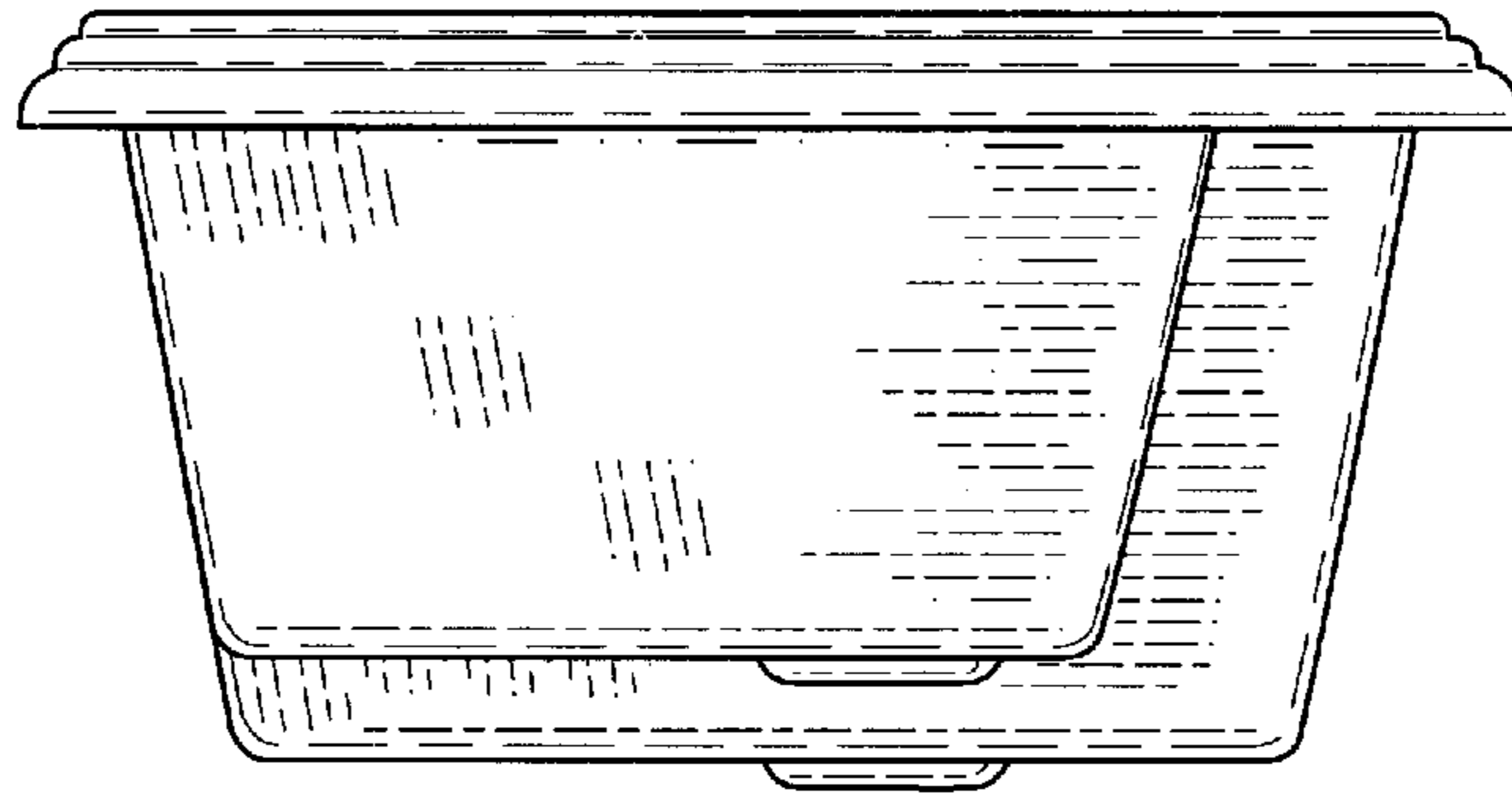


FIG. 6

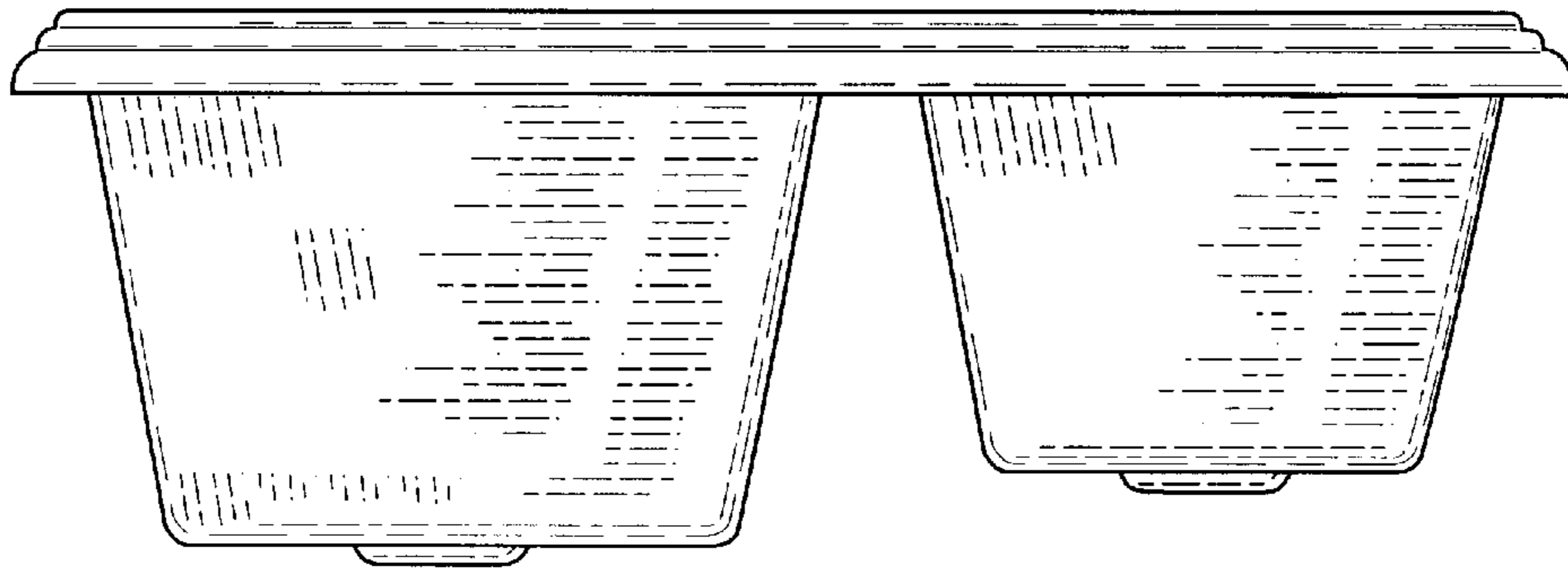


FIG. 7

