



US00D469160S

(12) **United States Design Patent**
Marshall

(10) **Patent No.:** **US D469,160 S**

(45) **Date of Patent:** **** Jan. 21, 2003**

(54) **SANITARY FAUCET**

D448,453 S * 9/2001 Lord D23/241
D460,534 S * 7/2002 Hanna et al. D23/252

(75) Inventor: **Chris Marshall**, Cumming, GA (US)

OTHER PUBLICATIONS

(73) Assignee: **Hansgrohe AG**, Schiltach (DE)

2000 Moen Price Catalog, pp. 40–41, 44–45 (1999).
Catalog, Bäder 2001, 6 pages (2000).
Product Portfolio, Price Pfister, 6 pages (1999).

(**) Term: **14 Years**

* cited by examiner

(21) Appl. No.: **29/158,431**

(22) Filed: **Apr. 4, 2002**

Primary Examiner—Louis S. Zarfes
Assistant Examiner—Gregory Andoll
(74) *Attorney, Agent, or Firm*—Duane Morris LLP

(51) **LOC (7) Cl.** **23-01**

(52) **U.S. Cl.** **D23/242**

(58) **Field of Search** D23/238–243,
D23/250–257; 4/675–678; 137/801

(57) **CLAIM**

The ornamental design for a sanitary faucet, as shown and described.

(56) **References Cited**

DESCRIPTION

U.S. PATENT DOCUMENTS

D285,597 S	*	9/1986	Miller et al.	D23/242
D357,526 S	*	4/1995	Jans	D23/257
D392,720 S	*	3/1998	Doughty et al.	D23/250
D404,467 S	*	1/1999	Doughty et al.	D23/242
D404,470 S	*	1/1999	Pitsch et al.	D23/252
D406,880 S	*	3/1999	Doughty et al.	D23/255
D409,288 S	*	5/1999	Hyde	D23/250
D416,981 S	*	11/1999	Warshawsky et al.	D23/241
D439,954 S	*	4/2001	Spangler	D23/250
D440,282 S	*	4/2001	Lord	D23/241
D442,264 S	*	5/2001	Mullenmeister	D23/252

FIG. 1: is a side perspective view of a sanitary faucet showing my new design;
FIG. 2: is a side elevation view thereof, the opposite side being a mirror image;
FIG. 3: is a top plan view thereof;
FIG. 4: is a front elevation view thereof;
FIG. 5: is a rear elevation view thereof; and,
FIG. 6: is a bottom plan view thereof.

1 Claim, 3 Drawing Sheets

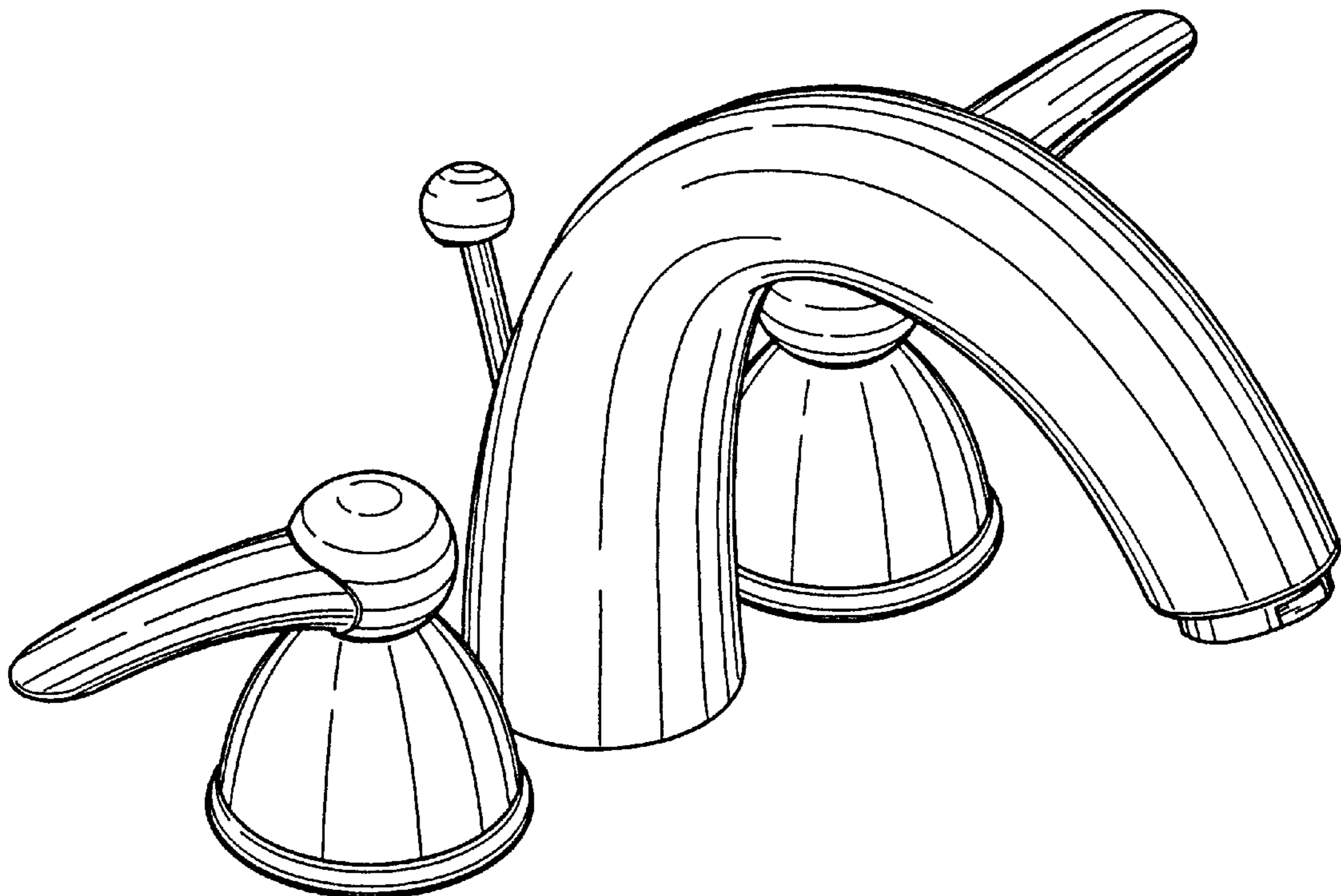


FIG.1

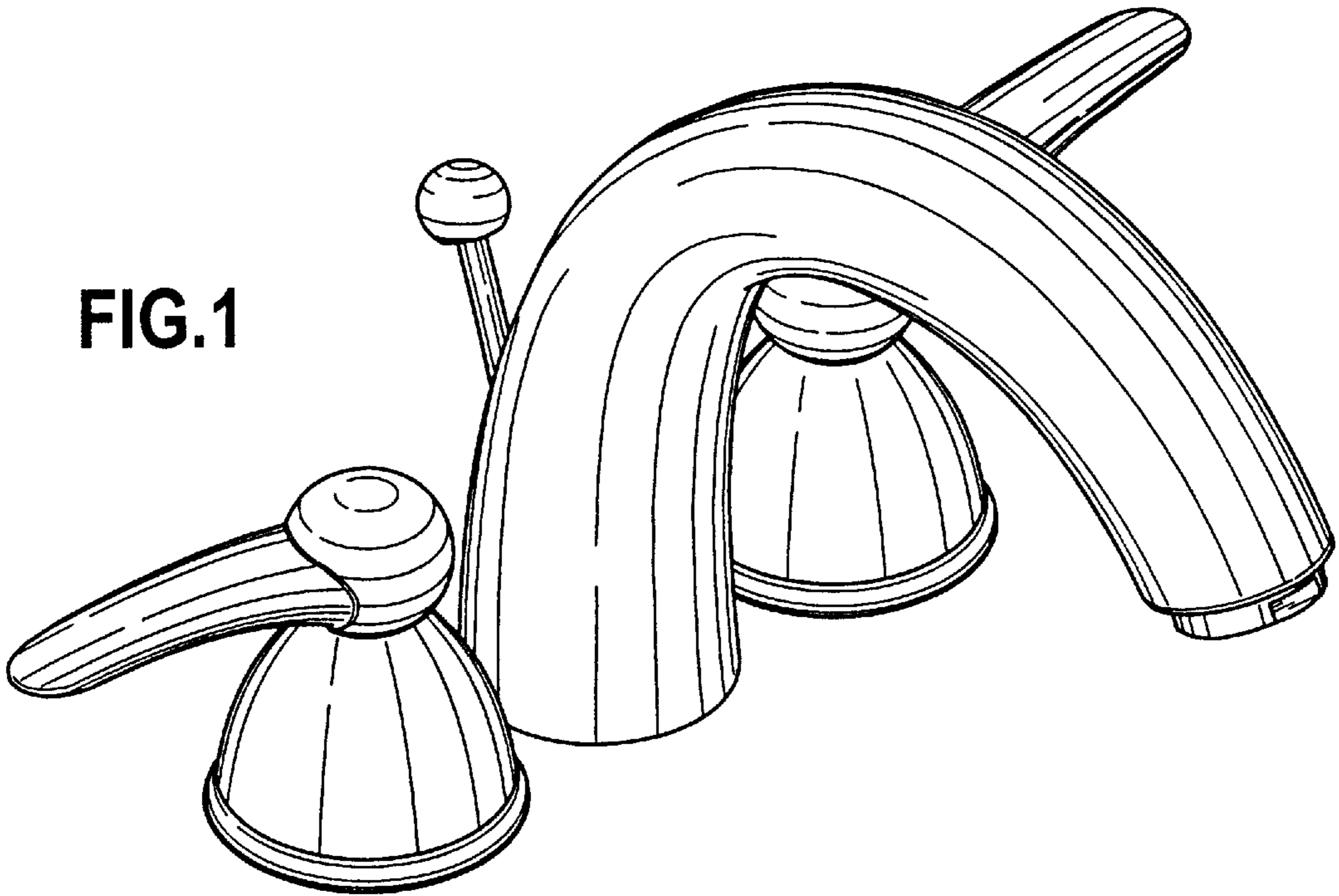
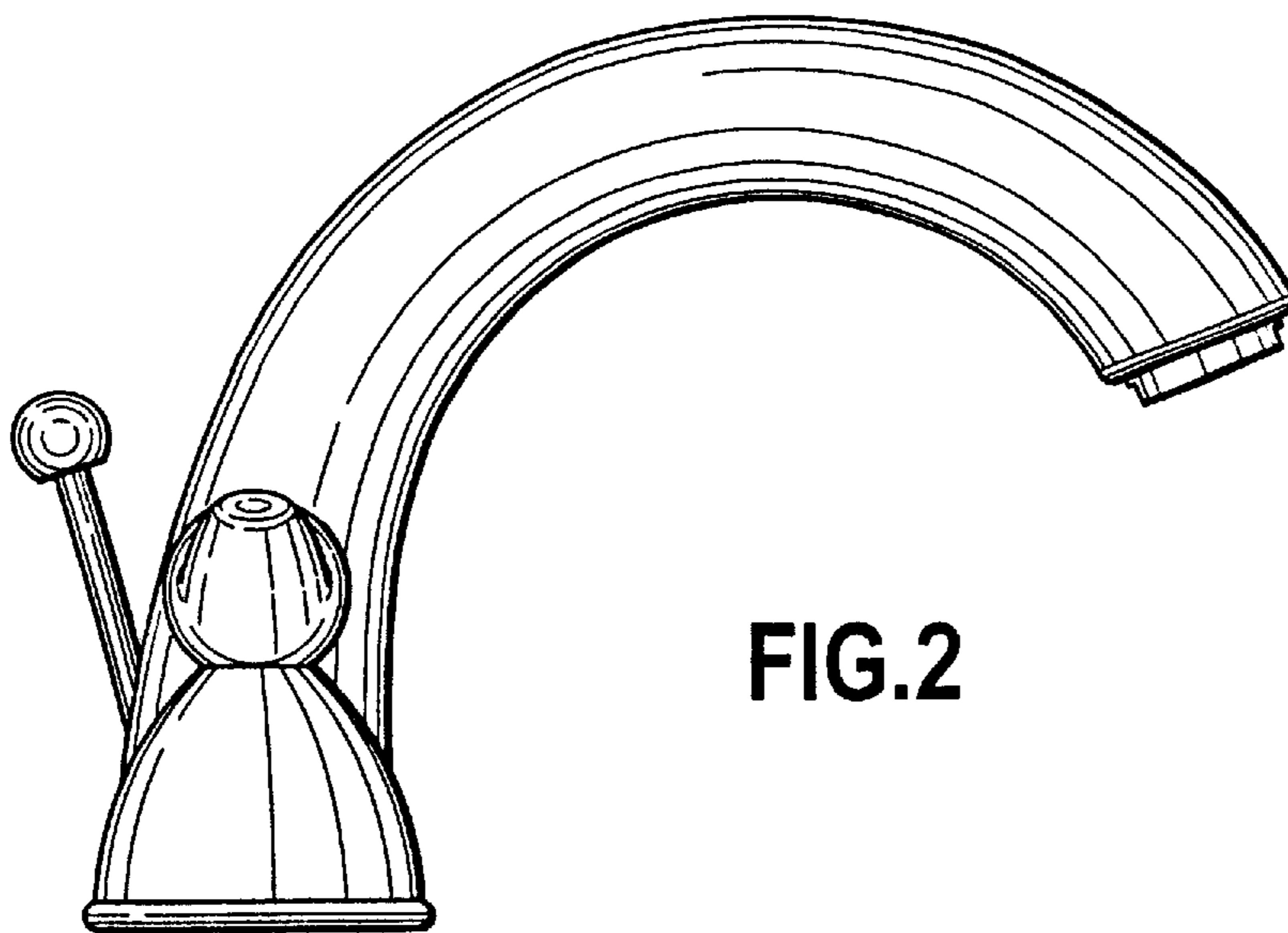


FIG.2



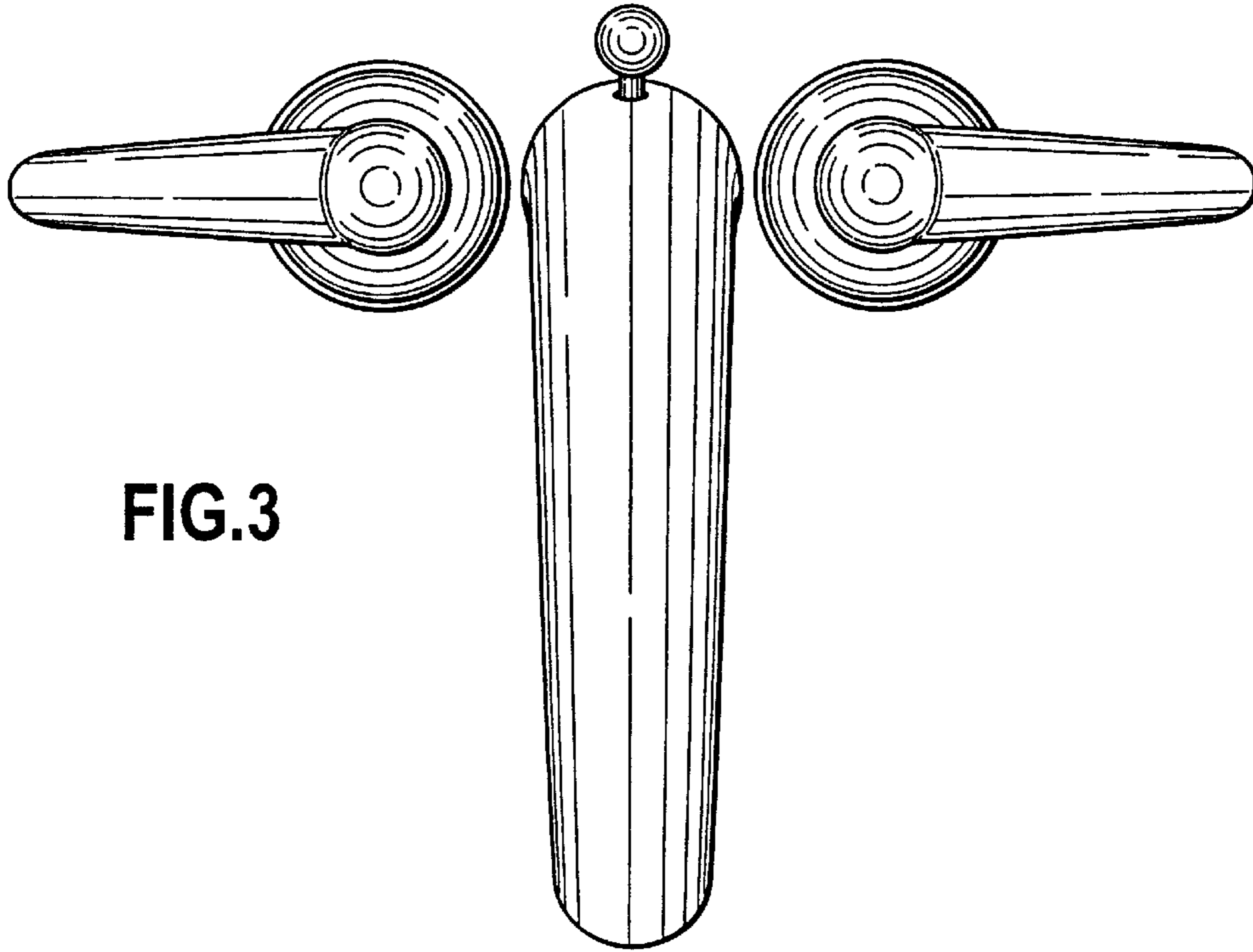


FIG.3

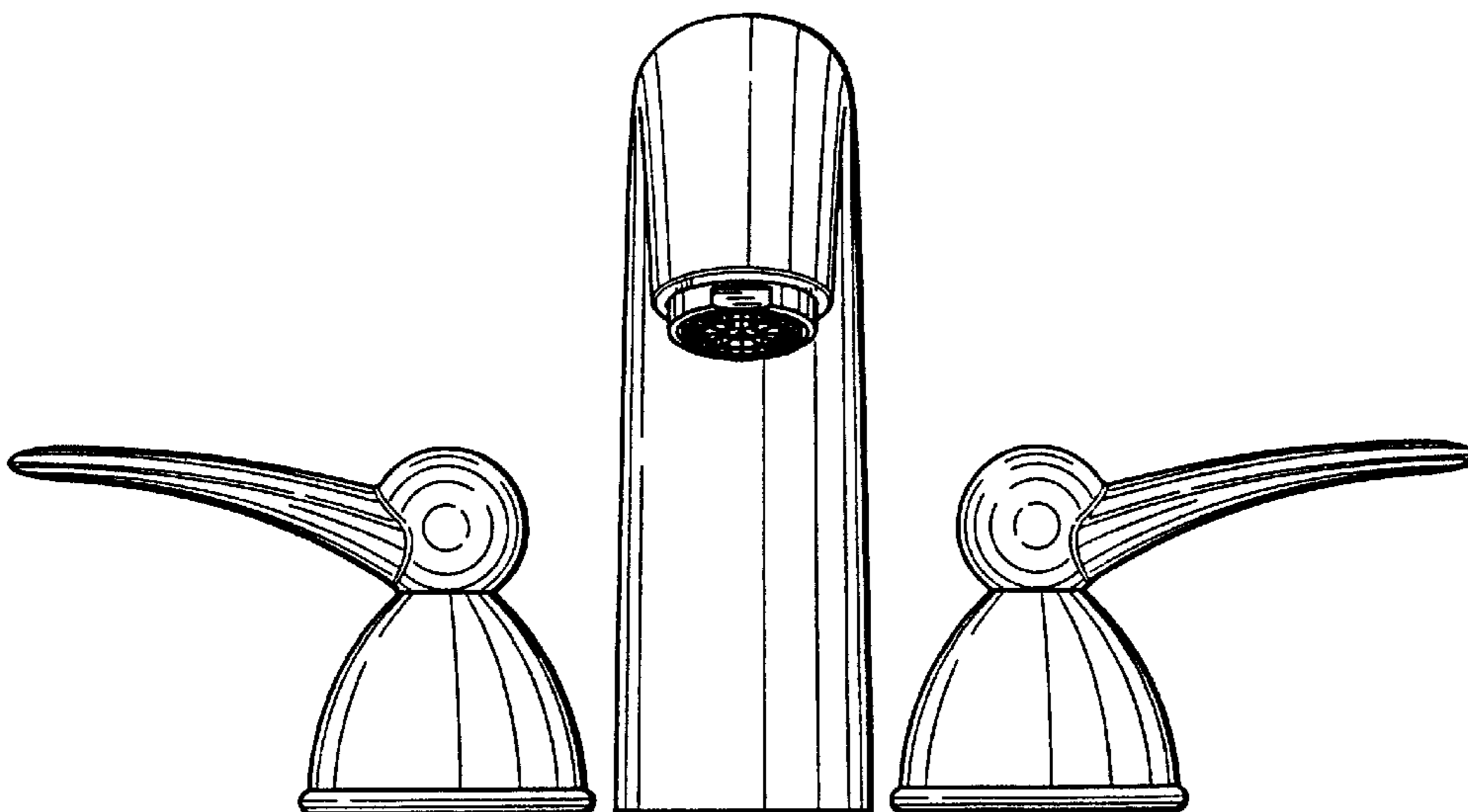


FIG.4

FIG.5

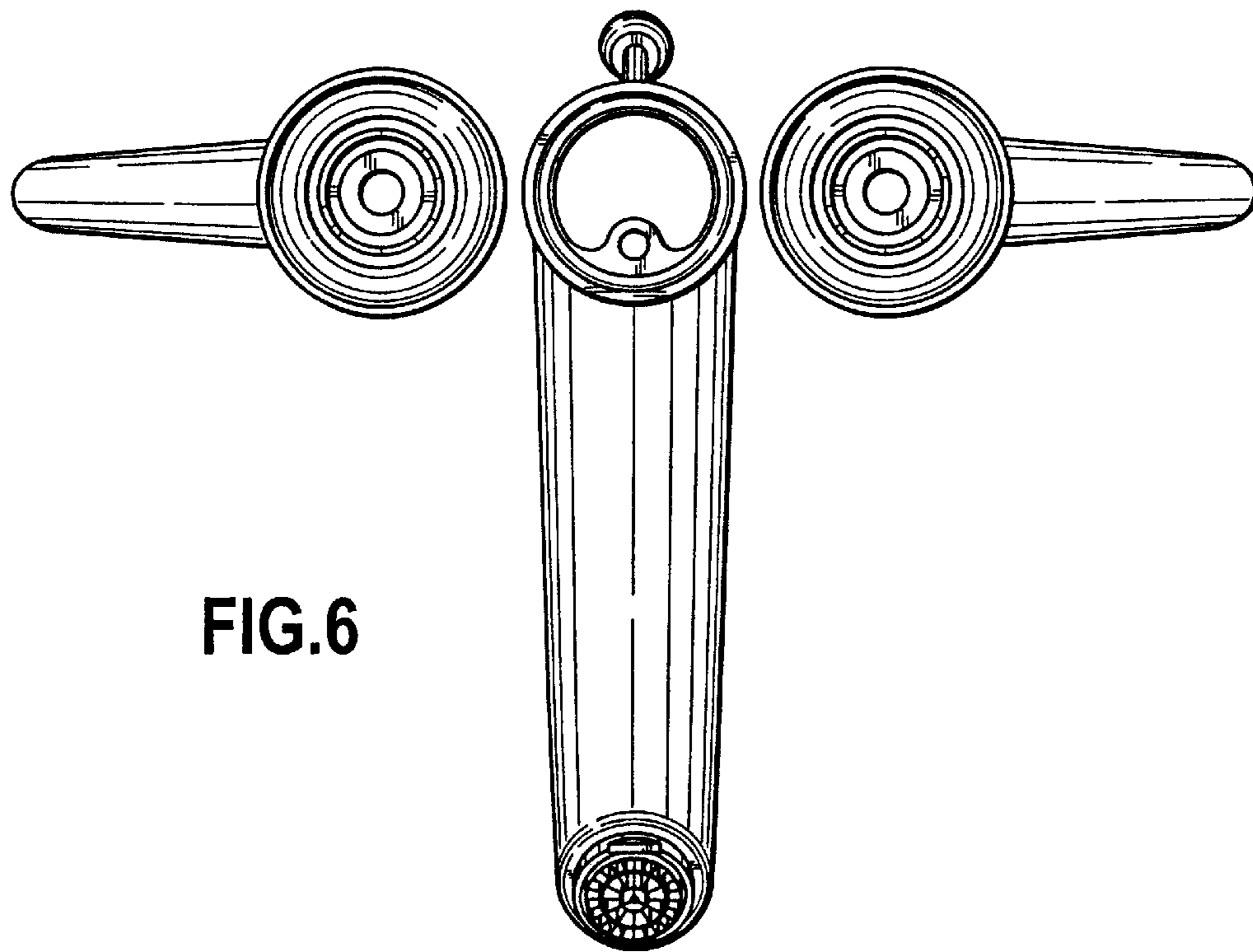
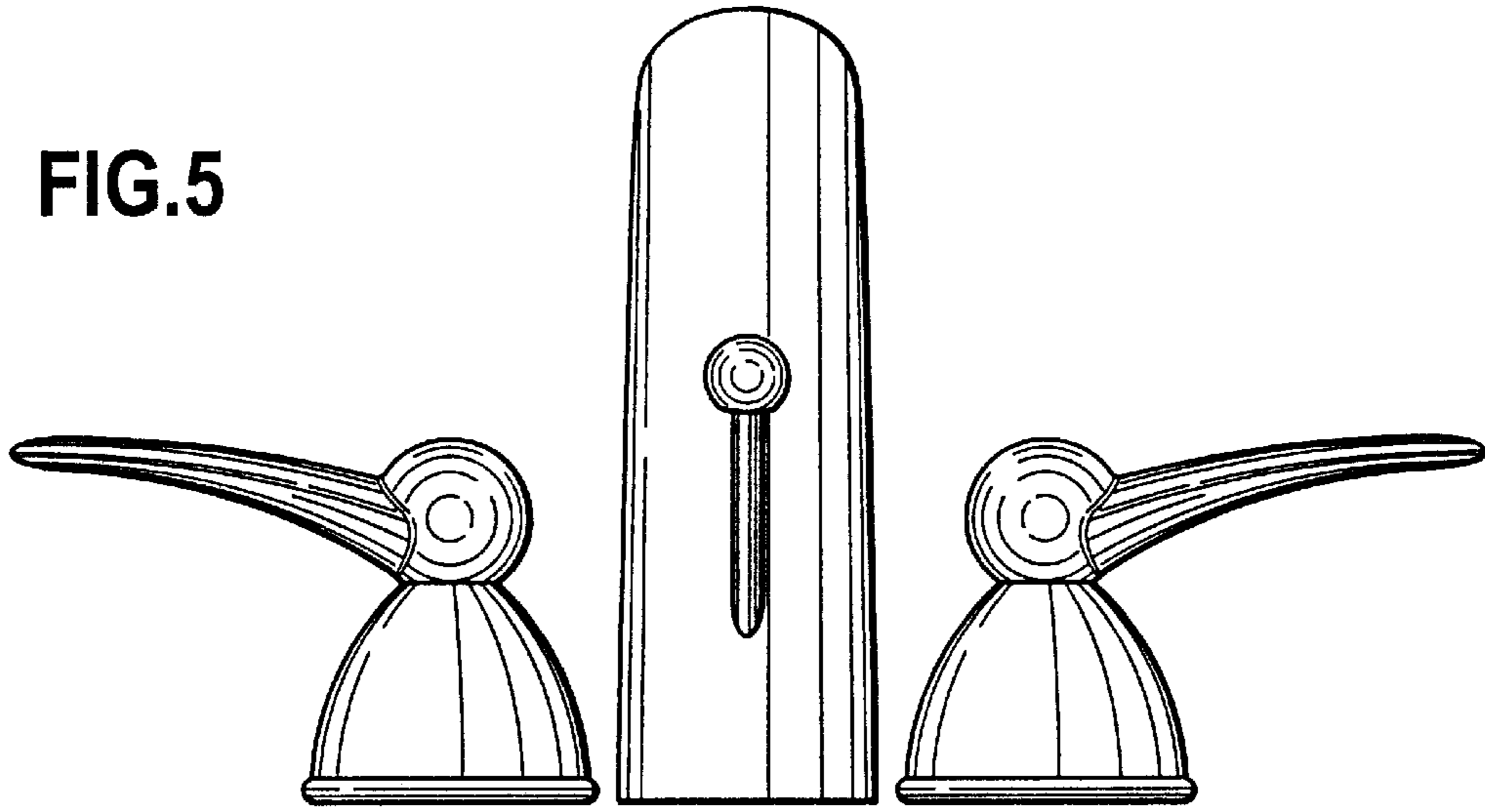


FIG.6