



US00D469157S

(12) **United States Design Patent**
Lobermeier

(10) **Patent No.:** **US D469,157 S**

(45) **Date of Patent:** **** Jan. 21, 2003**

(54) **FAUCET**

(75) **Inventor:** **Hans Lobermeier, Menden (DE)**

(73) **Assignee:** **Friedrich Grohe AG & Co. KG,**
Hemer (DE)

(**) **Term:** **14 Years**

(21) **Appl. No.:** **29/136,787**

(22) **Filed:** **Feb. 7, 2001**

(30) **Foreign Application Priority Data**

Aug. 10, 2000 (DE) 4 00 07 596

(51) **LOC (7) Cl.** **23-01**

(52) **U.S. Cl.** **D23/238**

(58) **Field of Search** D23/238-243,
D23/245, 249-257; 4/675-678; 16/110 R;
137/801

(56) **References Cited**

U.S. PATENT DOCUMENTS

- D299,160 S * 12/1988 Lathrop D23/252
- D312,300 S * 11/1990 Joerger D23/241
- D313,837 S * 1/1991 Heieck D23/241

- D331,275 S * 11/1992 Knapp D23/238
- D351,218 S * 10/1994 Sieger D23/241
- D375,345 S * 11/1996 Warshawsky D23/241
- D440,637 S * 4/2001 Lefroy-Brooks D23/255
- D444,212 S * 6/2001 Fleischmann D23/243
- D450,808 S * 11/2001 Gottwald D23/250

* cited by examiner

Primary Examiner—Ian Simmons

Assistant Examiner—Gregory Andoll

(74) *Attorney, Agent, or Firm*—Herbert Dubno

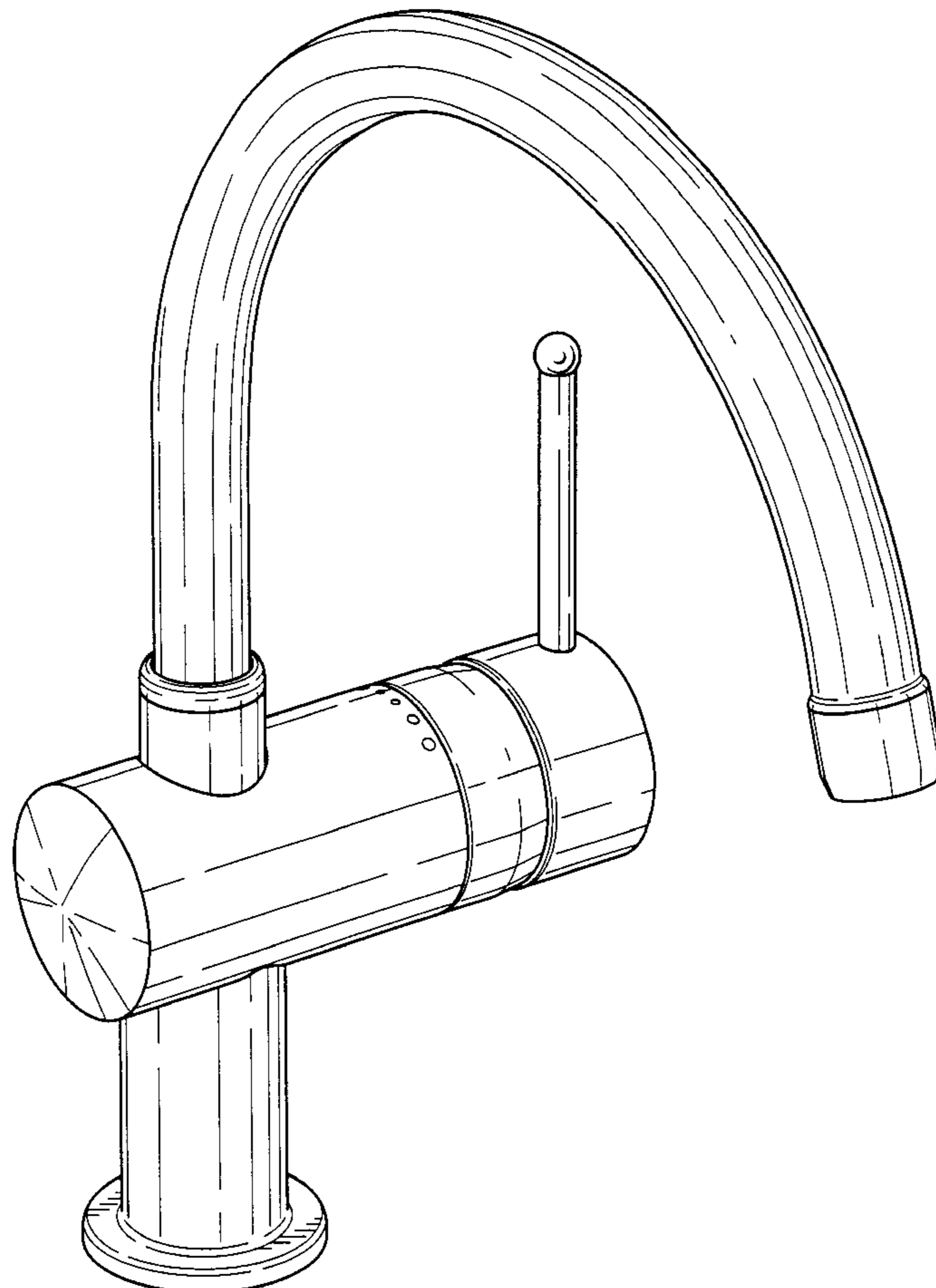
(57) **CLAIM**

The ornamental design for a faucet, as shown.

DESCRIPTION

FIG. 1 is a top, front, left-side perspective view of a faucet showing my new design;
 FIG. 2 is a left side elevational view thereof;
 FIG. 3 is a right side elevational view thereof;
 FIG. 4 is a front elevational view thereof;
 FIG. 5 is a rear elevational view thereof;
 FIG. 6 is a top view thereof; and,
 FIG. 7 is a bottom view thereof.

1 Claim, 7 Drawing Sheets



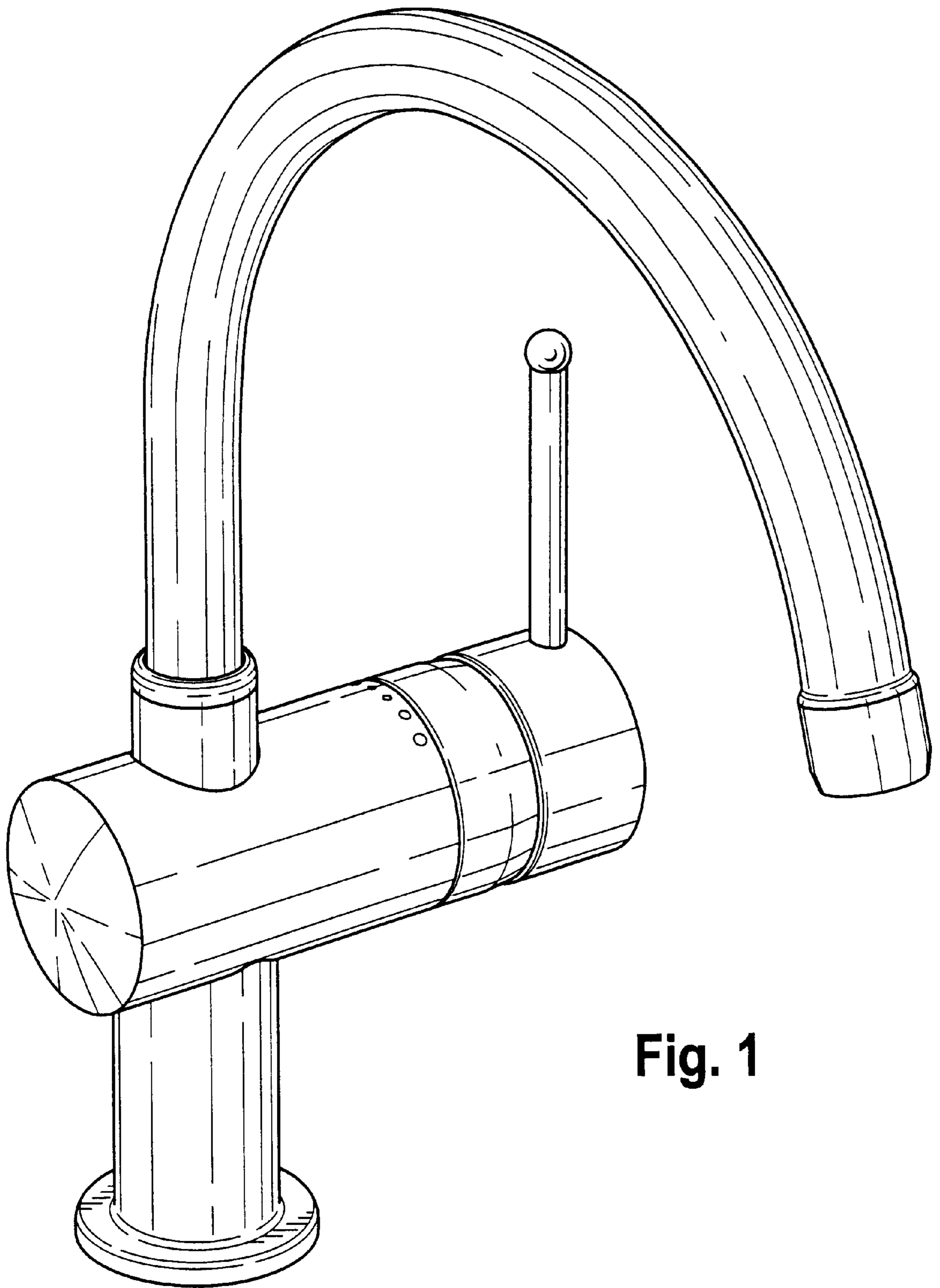


Fig. 1

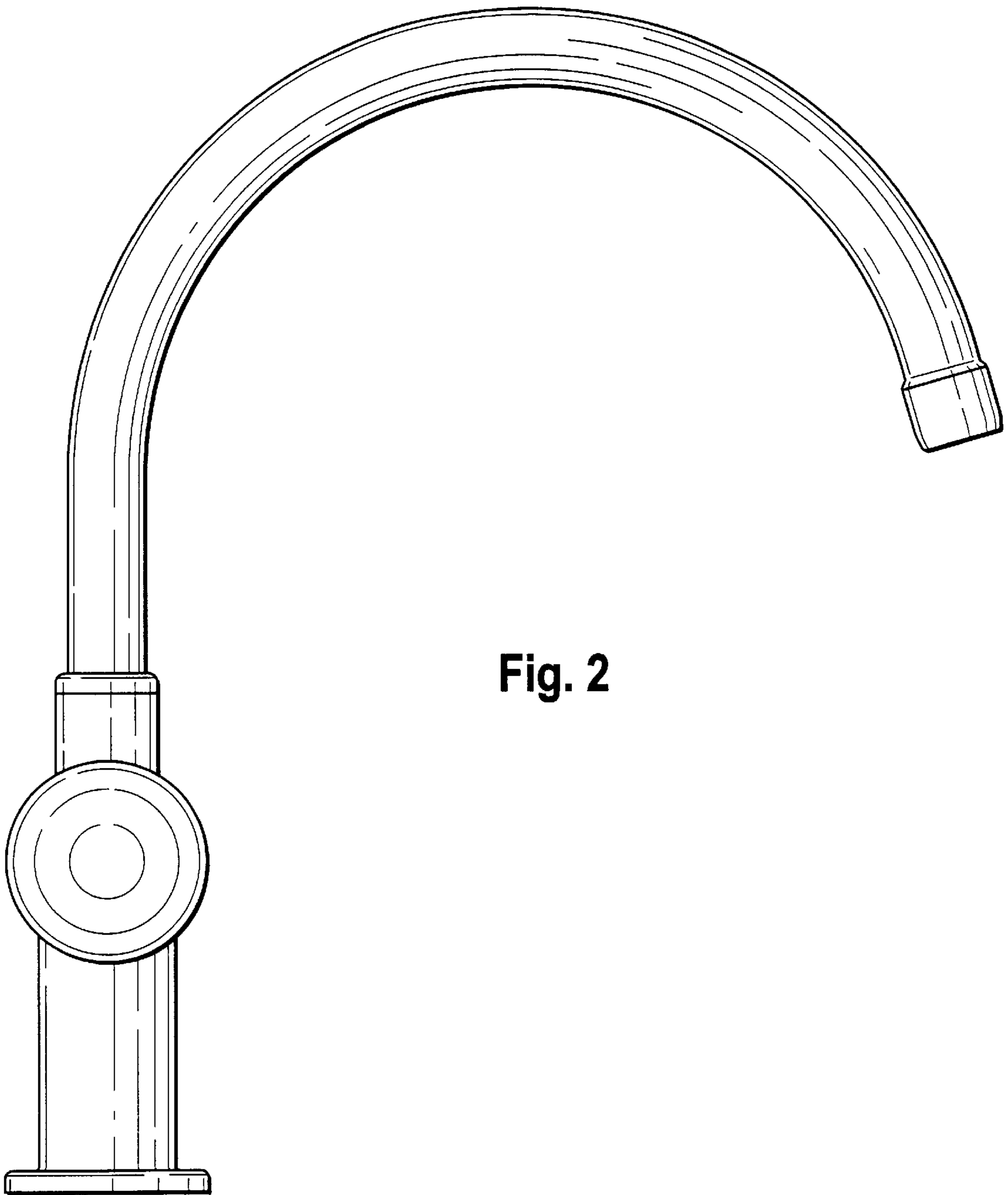


Fig. 2

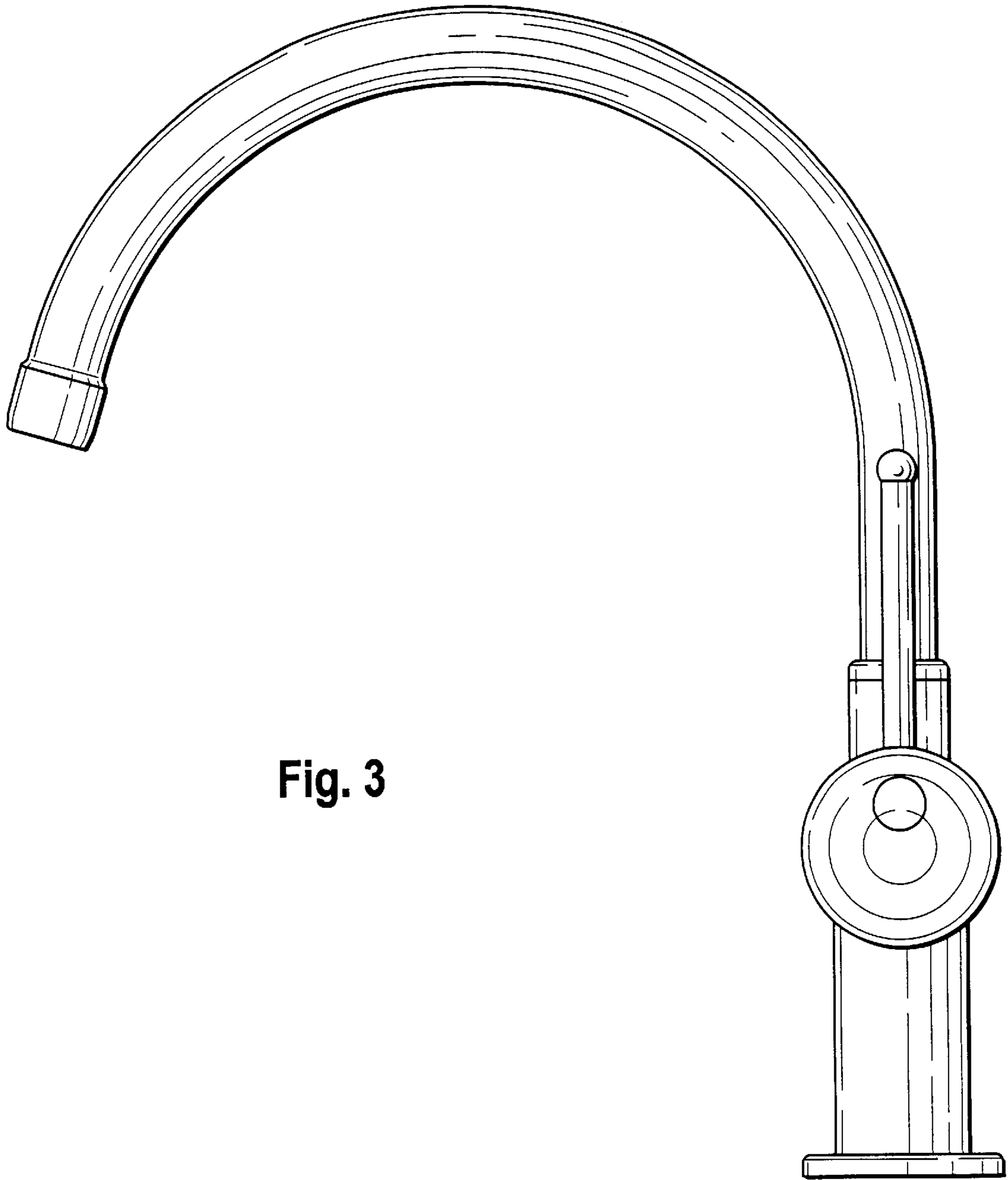


Fig. 3

Fig. 4

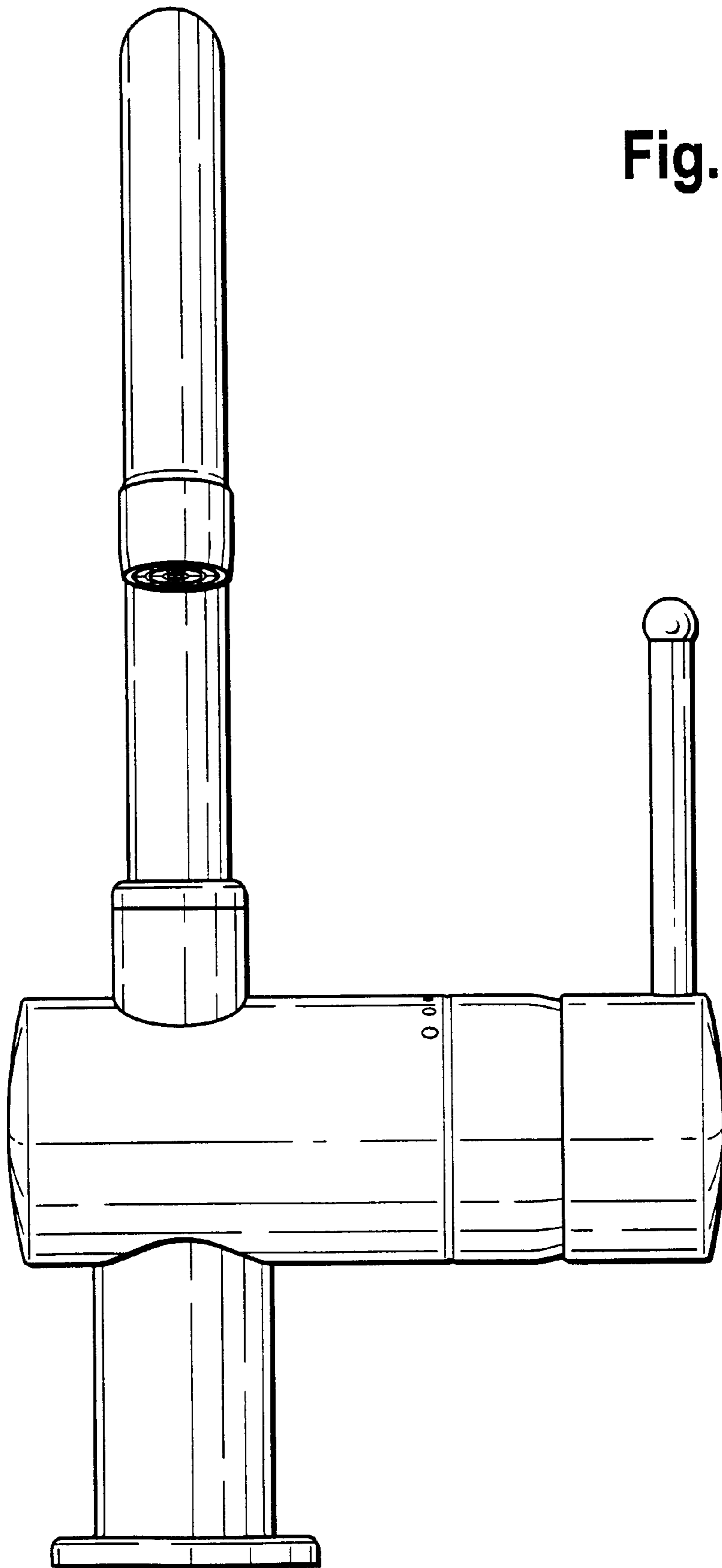


Fig. 5

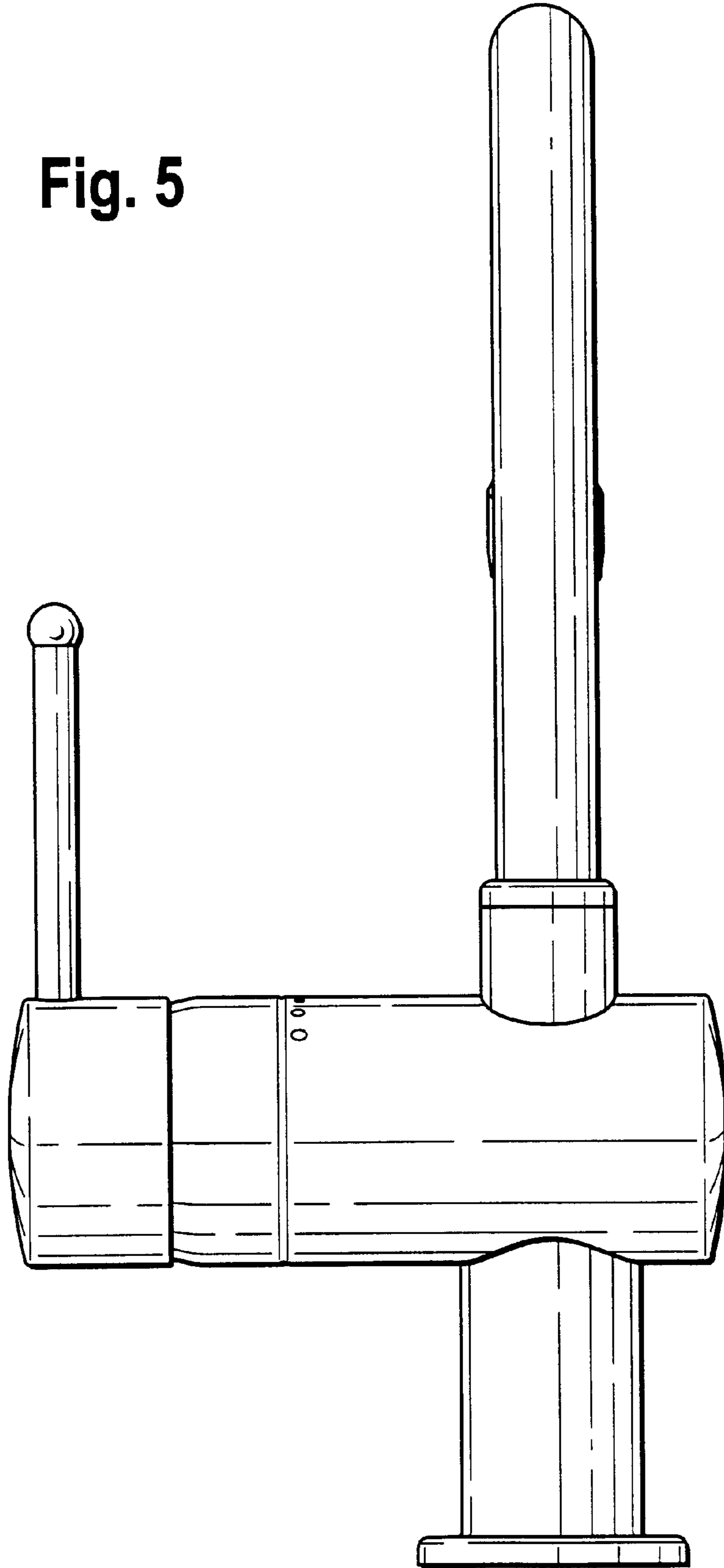
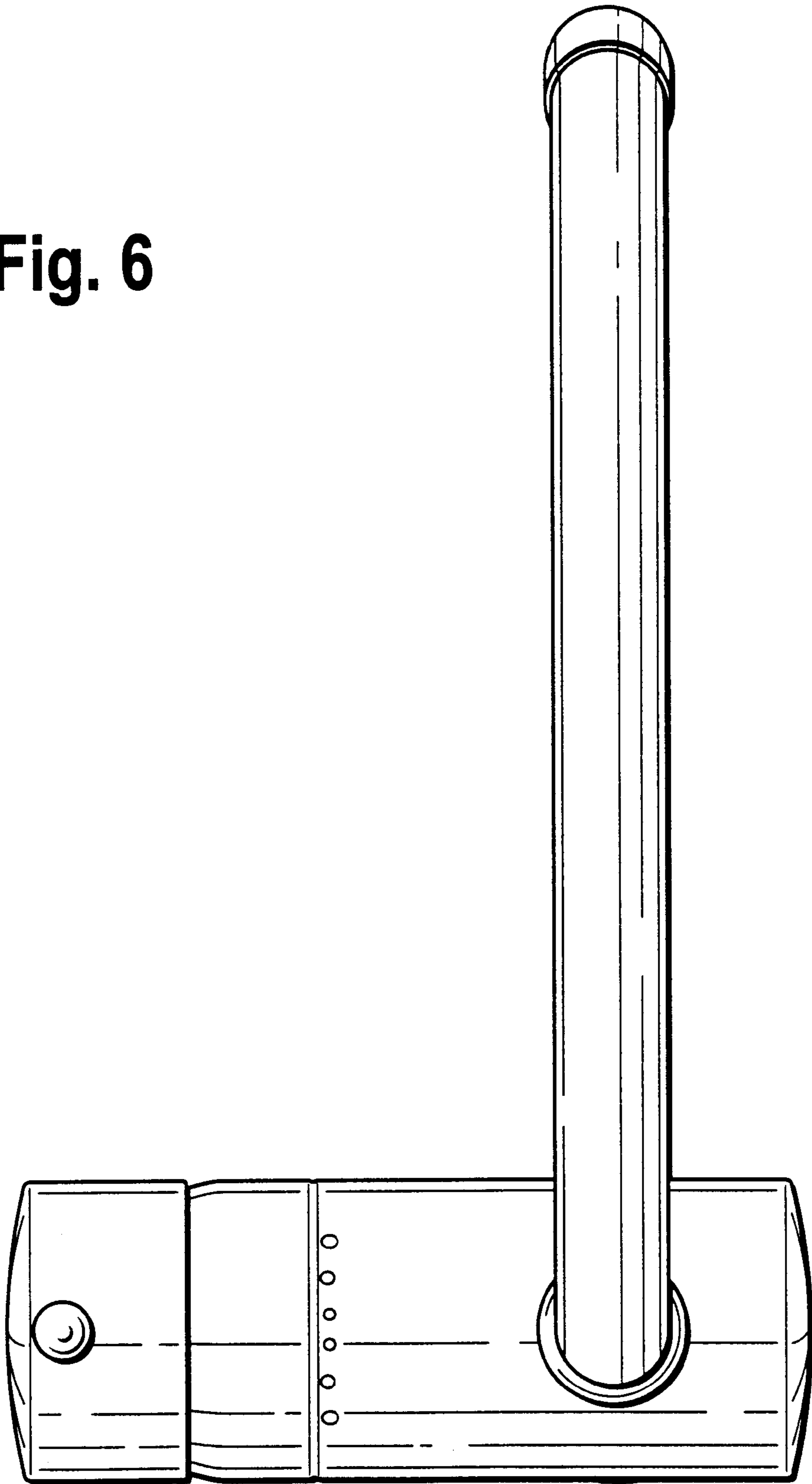


Fig. 6



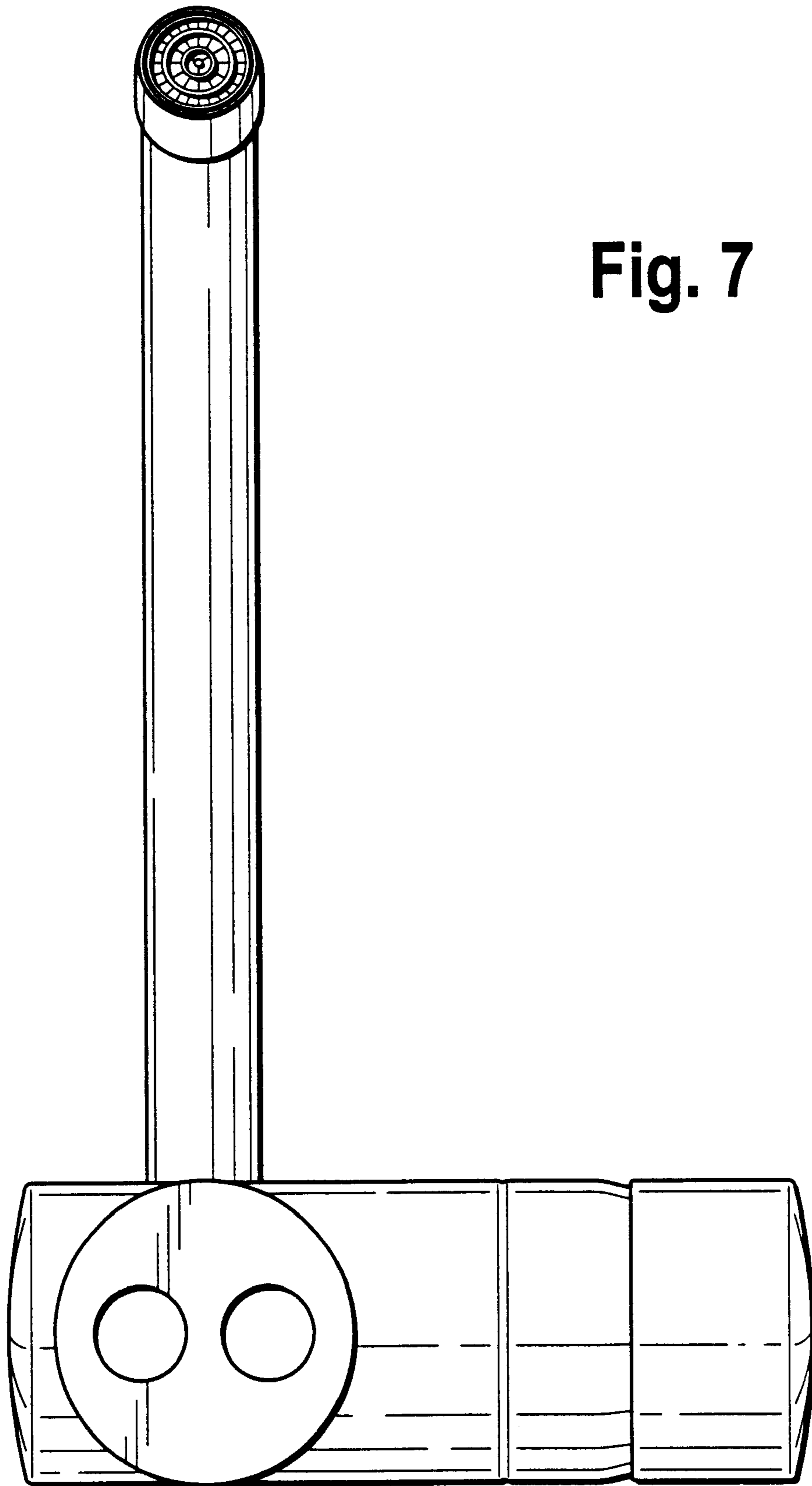


Fig. 7