



US00D469156S

(12) **United States Design Patent**
Drechsel

(10) **Patent No.:** **US D469,156 S**

(45) **Date of Patent:** **** Jan. 21, 2003**

(54) **SPRINKLER IRRIGATION DEVICE**

5,622,316 A * 4/1997 Dreschsel 239/230
D416,604 S * 11/1999 Drechsel D23/214

(76) Inventor: **Arno Drechsel**, Gasserstrasse 3, A-9900
Lienz (AT)

* cited by examiner

(**) Term: **14 Years**

Primary Examiner—Robin V. Taylor
(74) *Attorney, Agent, or Firm*—Wenderoth, Lind & Ponack,
L.L.P.

(21) Appl. No.: **29/153,547**

(22) Filed: **Jan. 11, 2002**

(57) **CLAIM**

(30) **Foreign Application Priority Data**

Jul. 12, 2001 (AT) MU 2694/2001
Jul. 12, 2001 (AT) MU 2695/2001
Jul. 12, 2001 (AT) MU 2696/2001

The ornamental design for sprinkler irrigation device, as shown.

DESCRIPTION

(51) **LOC (7) Cl.** **23-01**

(52) **U.S. Cl.** **D23/214**

(58) **Field of Search** D23/213, 214,
D23/217; 239/225.1, 230, 233, 204–206

FIG. 1 is a perspective view as seen from the front and left of a sprinkler irrigation device according to the present invention;

FIG. 2 is a left side view of the embodiment;

FIG. 3 is a right side view of the embodiment;

FIG. 4 is a top view of the embodiment;

FIG. 5 is a bottom view of the embodiment;

FIG. 6 is a rear view of the embodiment; and,

FIG. 7 is a front view of the embodiment.

(56) **References Cited**

U.S. PATENT DOCUMENTS

3,744,720 A * 7/1973 Meyer 239/233
4,231,522 A * 11/1980 Dreschsel 239/233

1 Claim, 7 Drawing Sheets

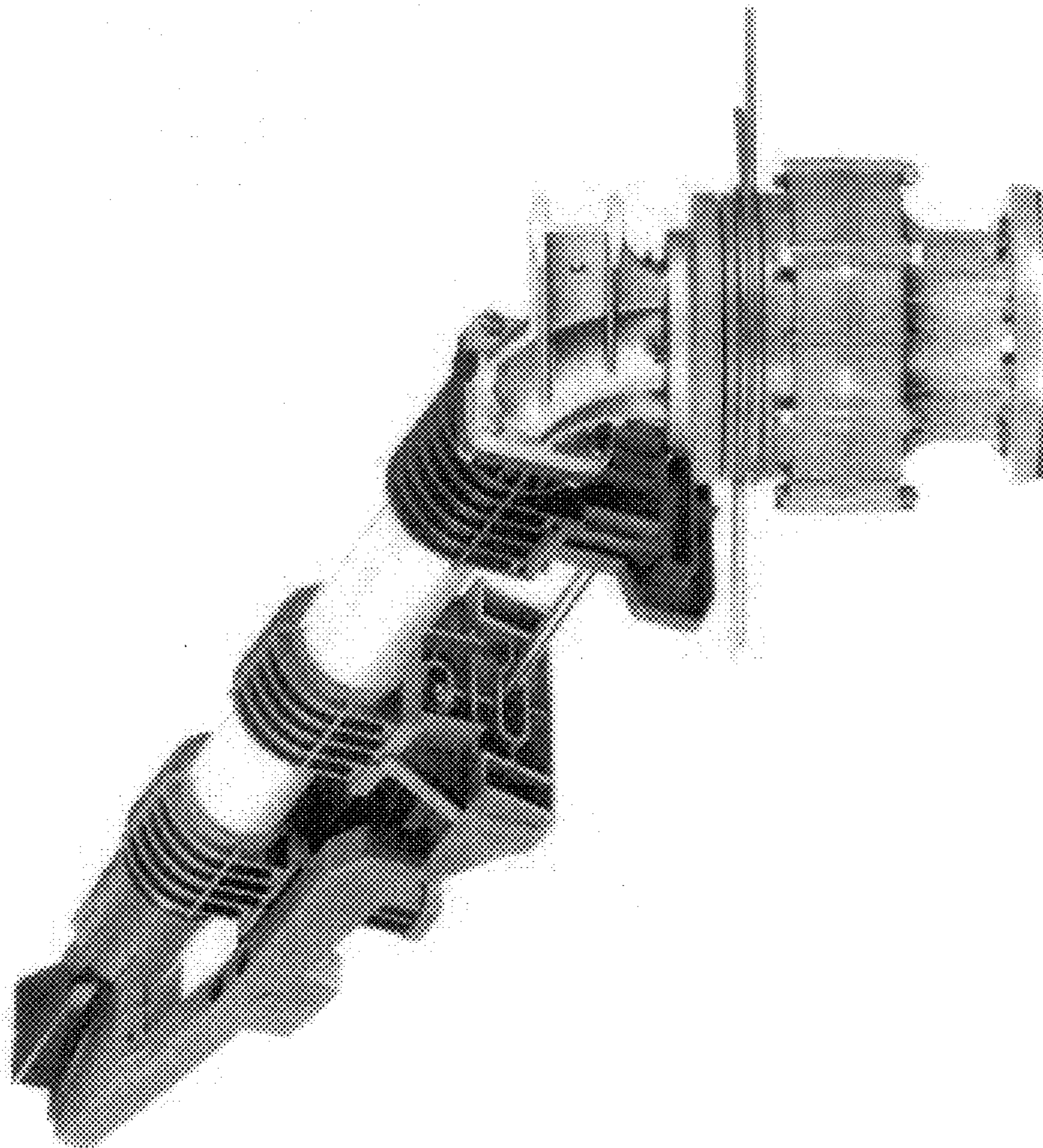


FIG. 1

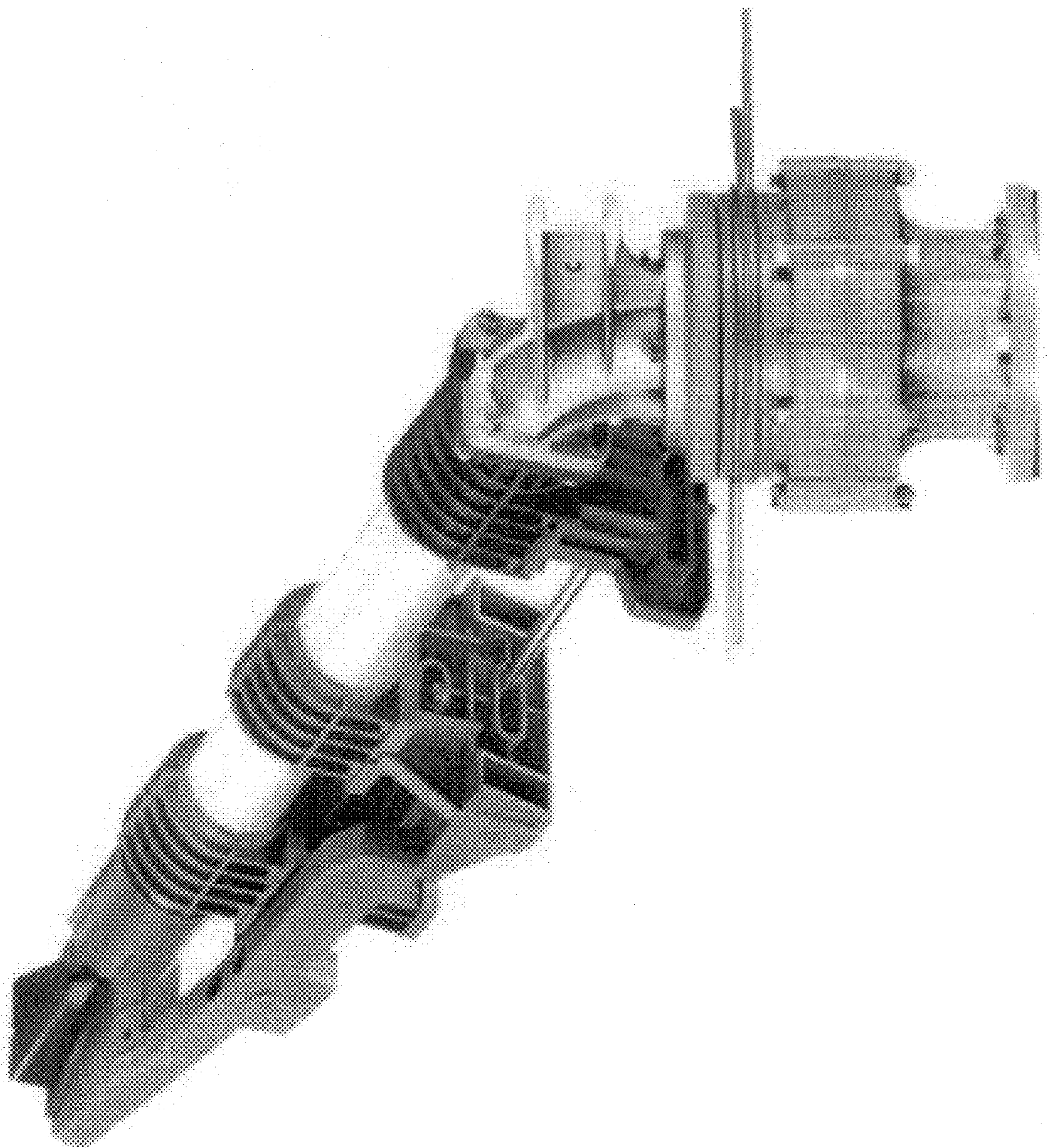


FIG. 2

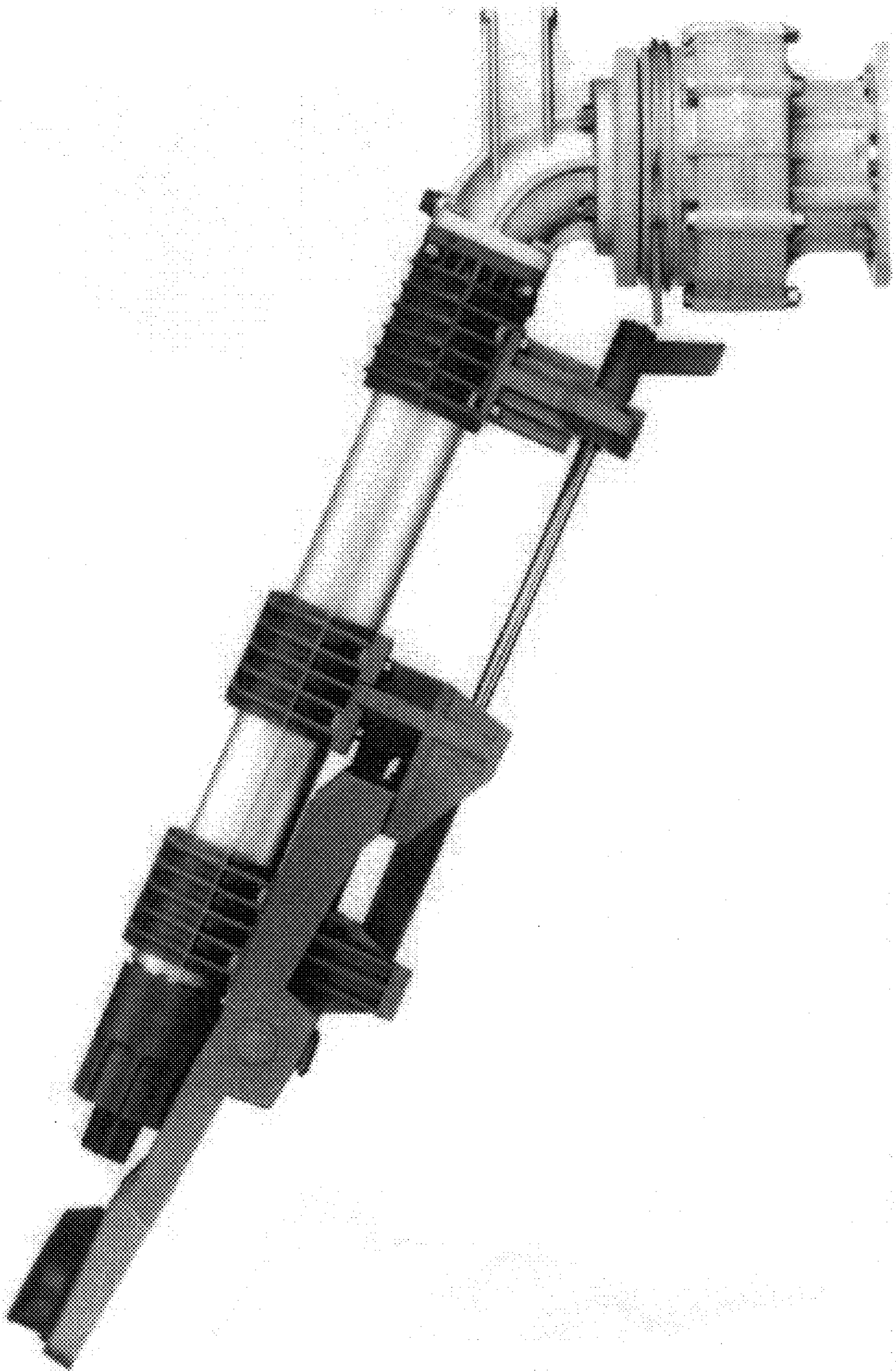


FIG. 3

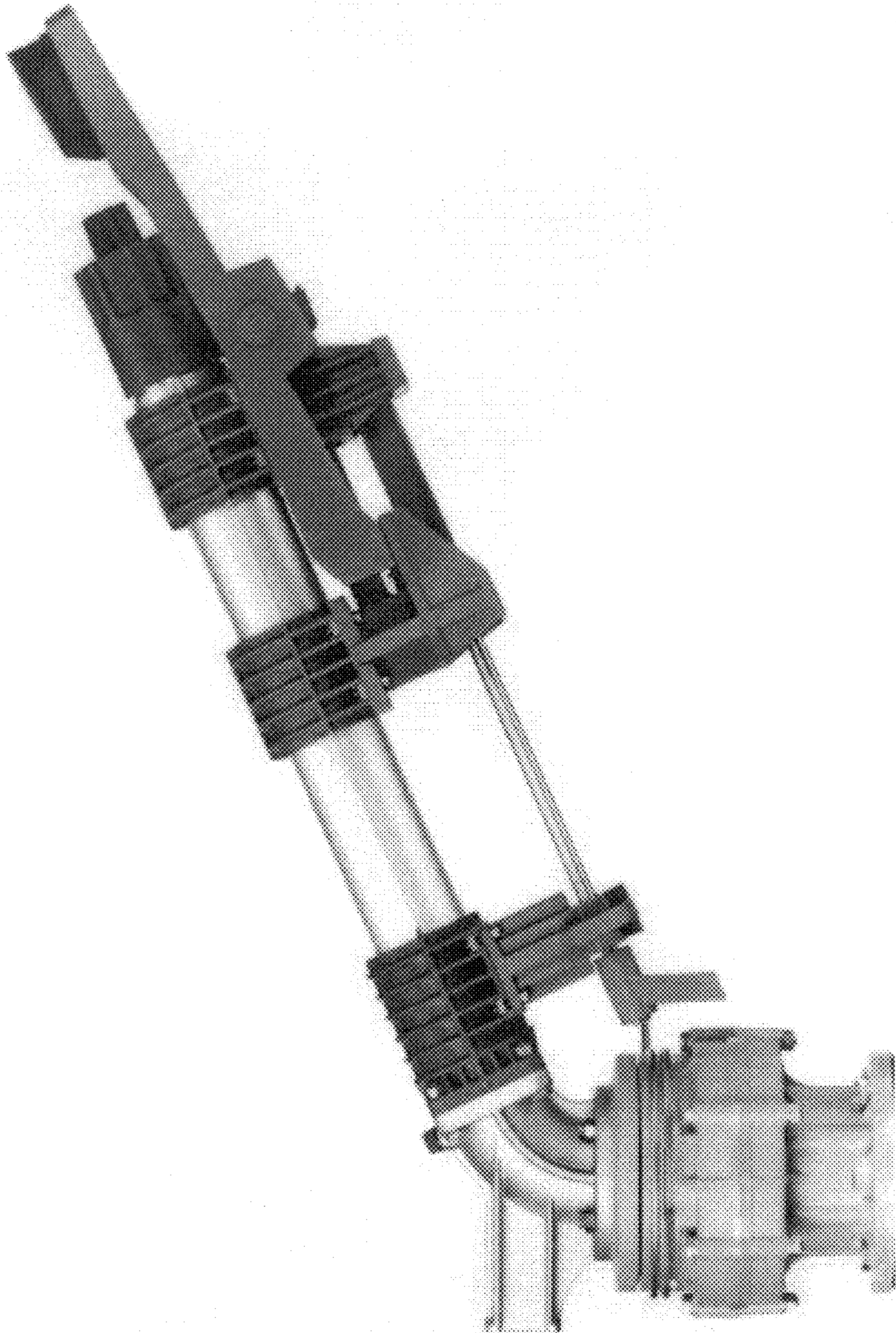


FIG. 4

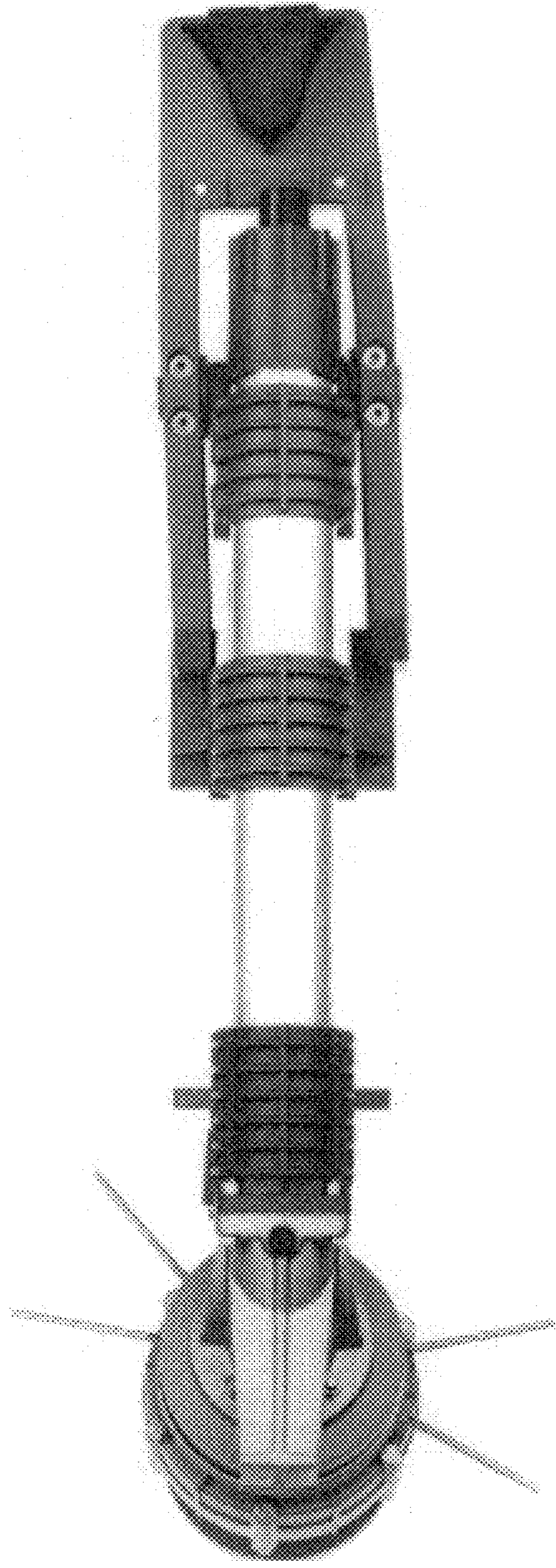


FIG. 5

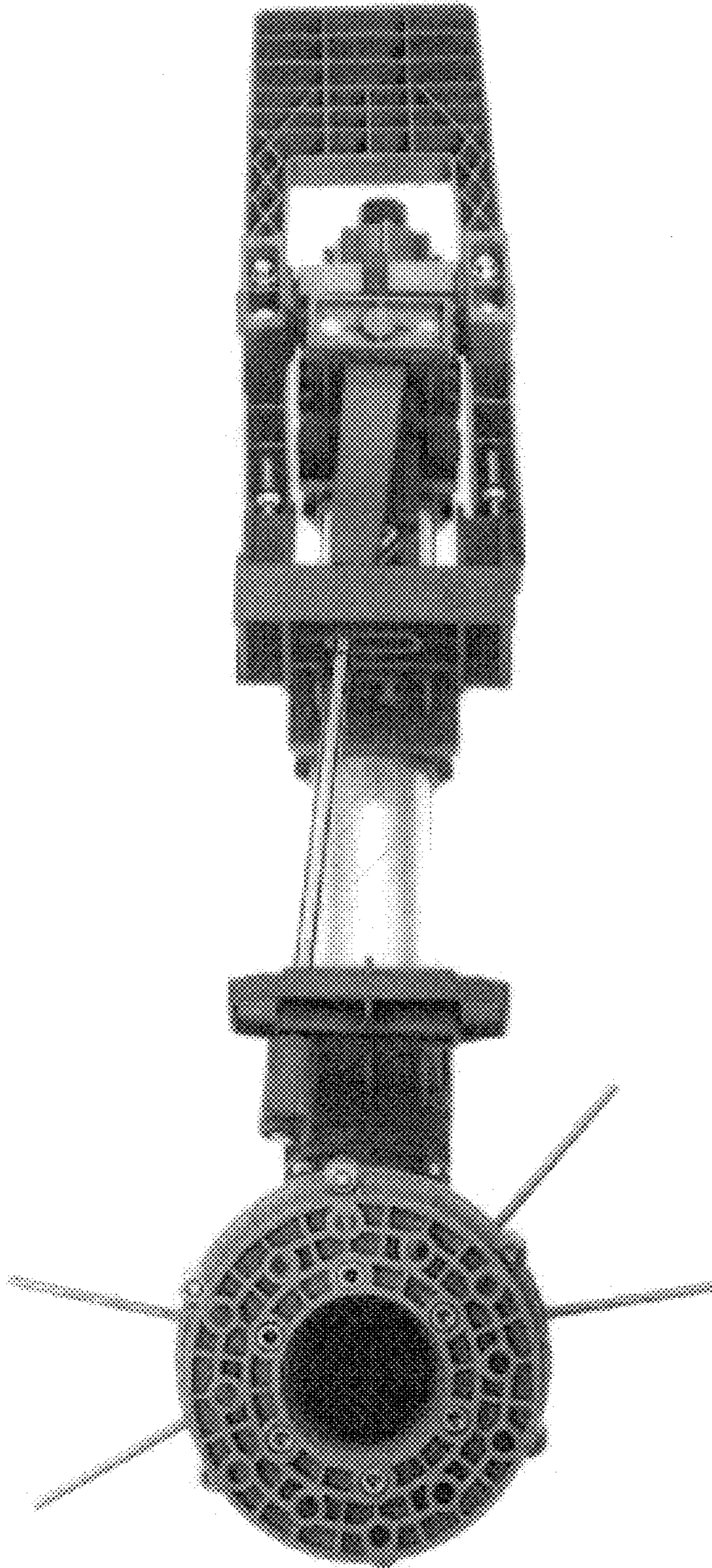


FIG. 6

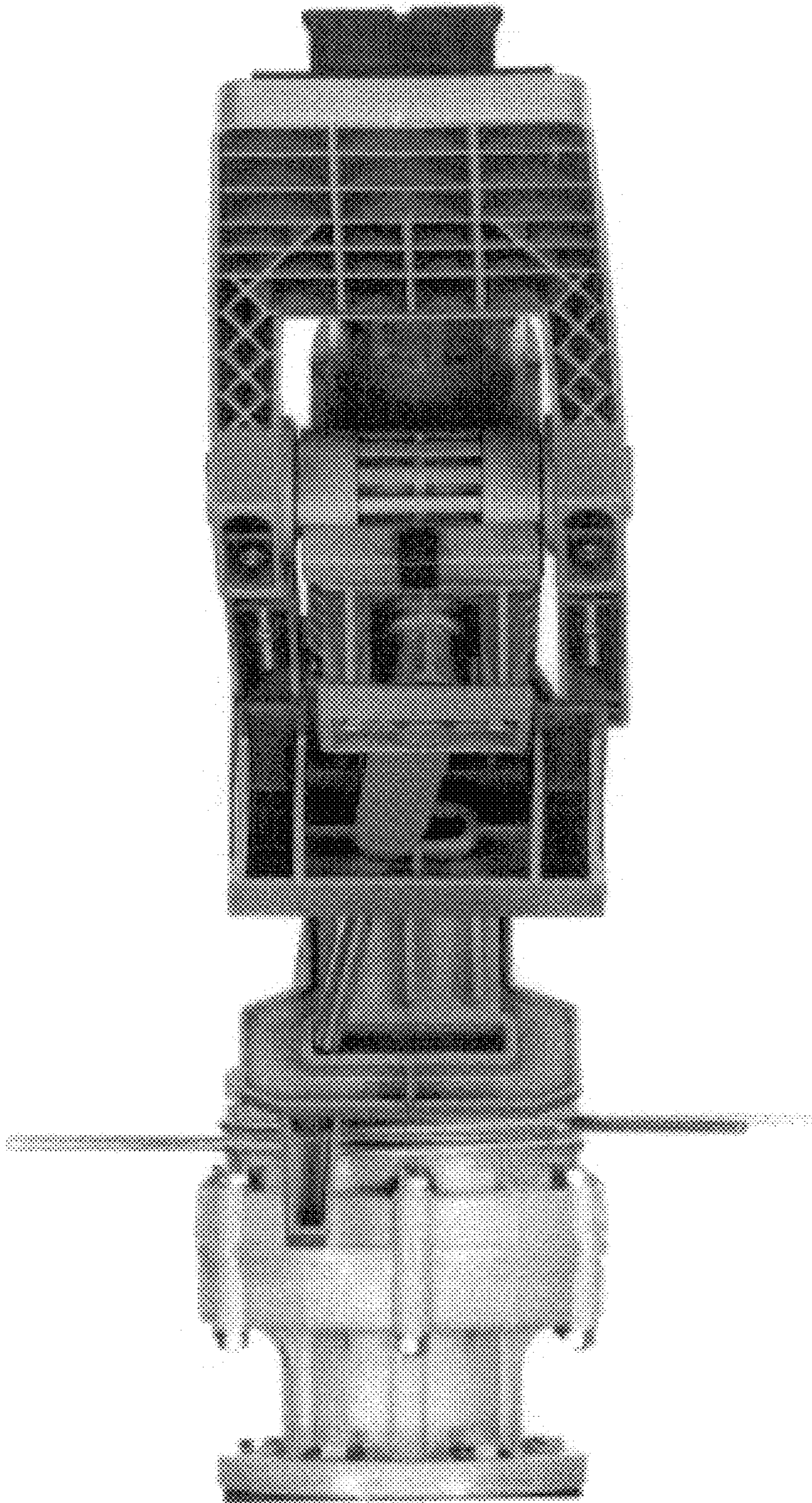


FIG. 7

