



US00D469150S

(12) **United States Design Patent**  
**Scrivener**

(10) **Patent No.:** **US D469,150 S**

(45) **Date of Patent:** **\*\* Jan. 21, 2003**

(54) **INSECT BAIT HOUSING**

6,227,441 B1 \* 5/2001 Sacel et al. .... 229/117.35

(75) Inventor: **Andrew Martin Scrivener**, New South  
Wales (AU)

\* cited by examiner

(73) Assignee: **Reckitt Benckiser (Australia) Pty  
Limited**, New South Wales (AU)

*Primary Examiner*—Catherine R. Oliver  
(74) *Attorney, Agent, or Firm*—Akin, Gump, Strauss,  
Hauer & Feld, L.L.P.

(\*\*) Term: **14 Years**

(57) **CLAIM**

(21) Appl. No.: **29/155,385**

The ornamental design for an insect bait housing, as shown  
and described.

(22) Filed: **Feb. 7, 2002**

**DESCRIPTION**

(30) **Foreign Application Priority Data**

Aug. 8, 2001 (GB) ..... 2103803  
Dec. 11, 2001 (GB) ..... 2106842

FIG. 1 is a top perspective view in accordance with a first  
embodiment of my new design;

(51) **LOC (7) Cl.** ..... **22-06**

FIG. 2 is a left side elevational view thereof;

(52) **U.S. Cl.** ..... **D22/122**

FIG. 3 is a top plan view thereof;

(58) **Field of Search** ..... D22/119-125;  
43/58, 114, 115, 116, 131, 121; 229/112,  
122.27, 103.3, 115, 100, 117.35

FIG. 4 is a bottom plan view thereof;

FIG. 5 is a right side elevational view thereof;

FIG. 6 is a front elevational view thereof rotated 90°  
clockwise, a rear elevational view thereof being identical;

FIG. 7 is a top perspective view in accordance with a second  
embodiment of my new design;

(56) **References Cited**

**U.S. PATENT DOCUMENTS**

D232,829 S \* 9/1974 Boyd ..... D22/122  
4,349,981 A \* 9/1982 Sherman ..... 43/131  
4,908,976 A \* 3/1990 Dagenais ..... 43/58  
D344,567 S \* 2/1994 Teeples ..... D22/122  
5,608,988 A \* 3/1997 Dowling et al. .... 43/114

FIG. 8 is a front elevational view thereof rotated 90°  
clockwise, a rear elevational view thereof being identical;

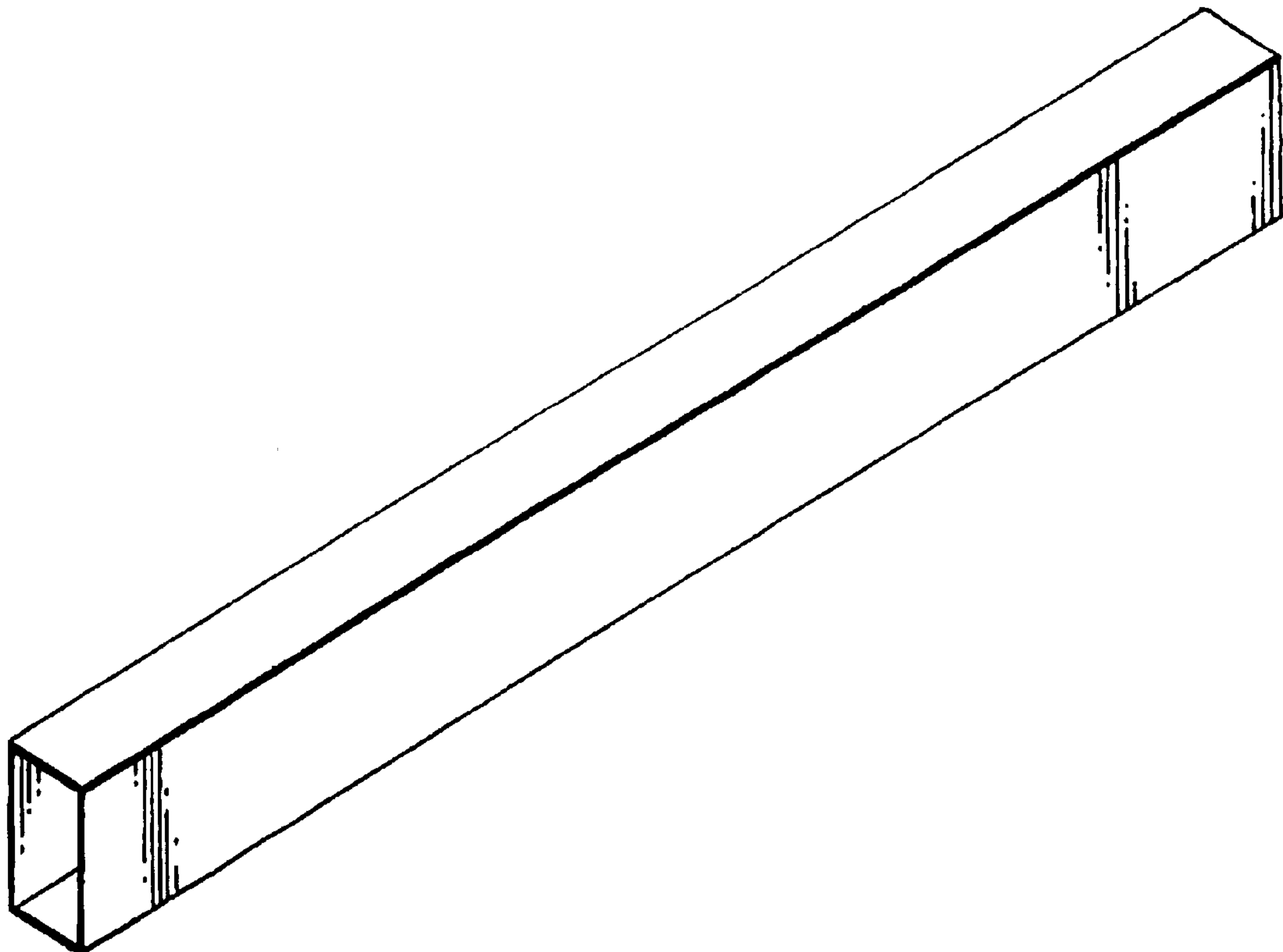
FIG. 9 is a left side elevational view thereof;

FIG. 10 is a top plan view thereof;

FIG. 11 is a bottom plan view thereof; and,

FIG. 12 is a right side elevational view thereof.

**1 Claim, 4 Drawing Sheets**



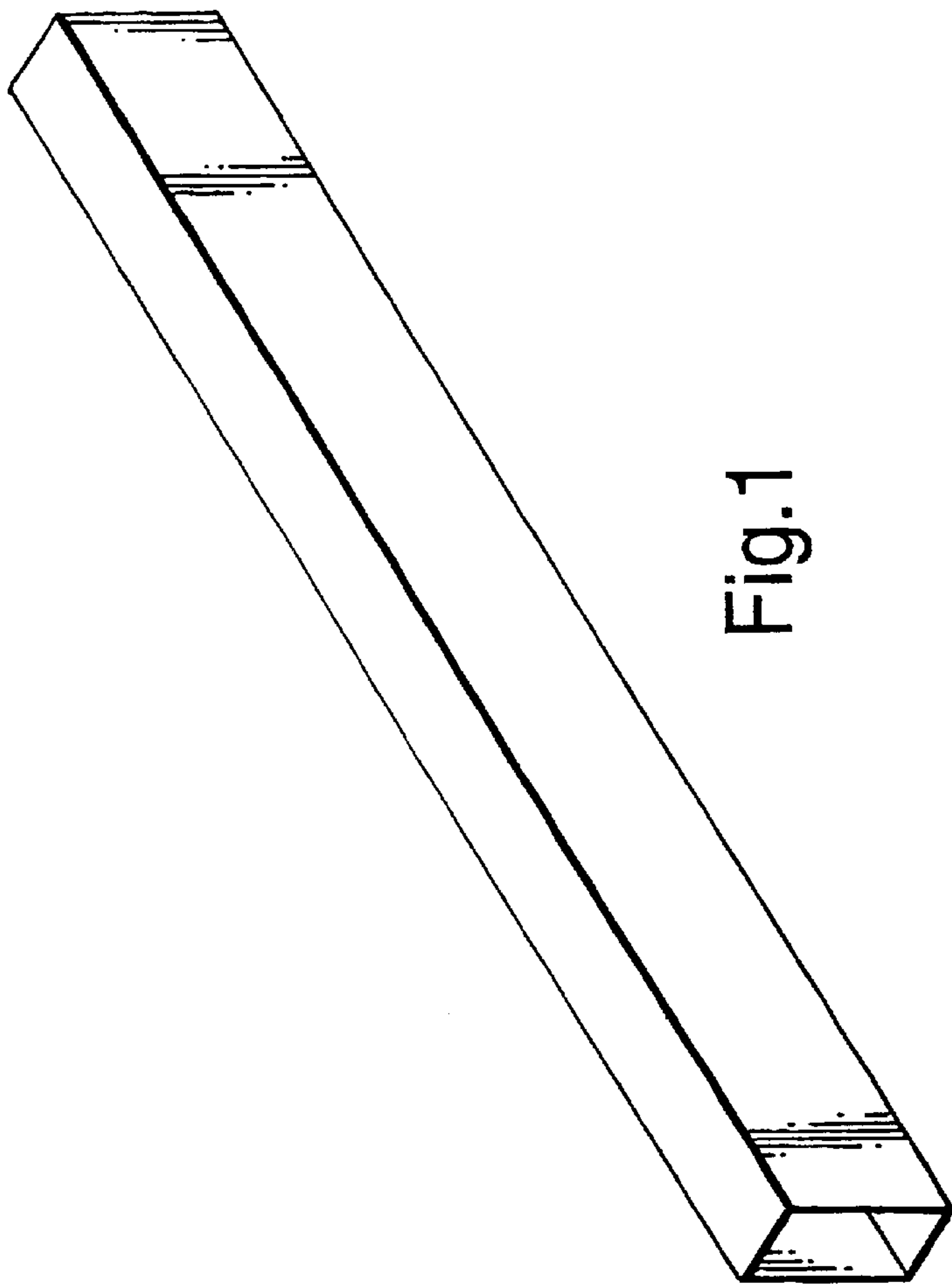


Fig. 1

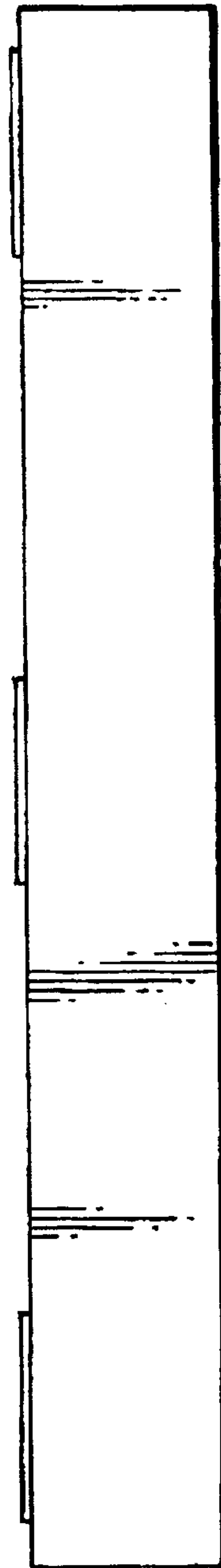


Fig. 2



Fig.3



Fig.4

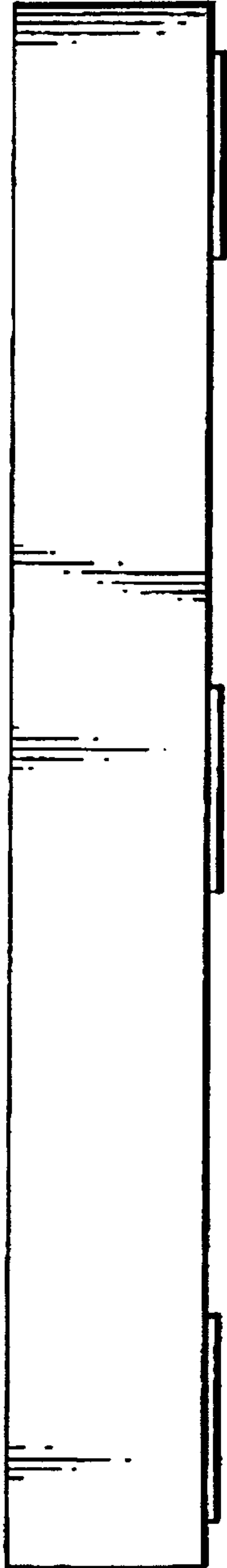


Fig.5

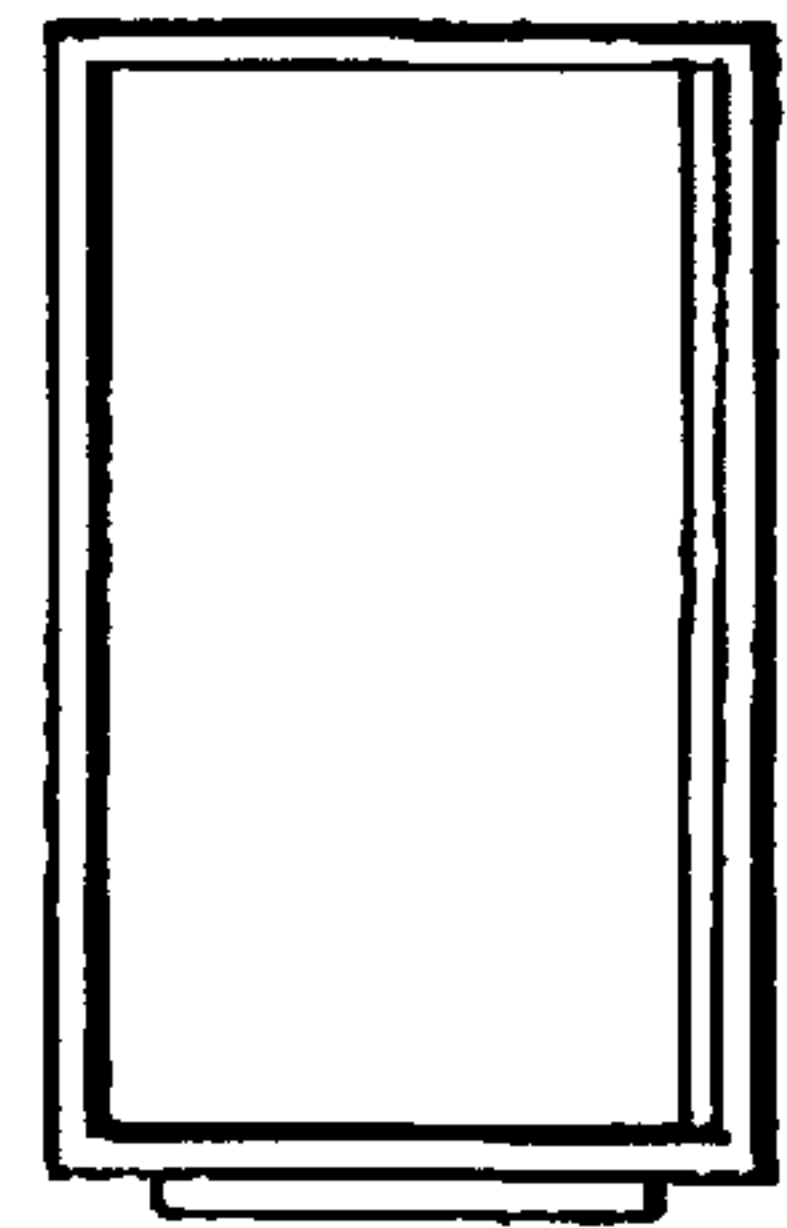


Fig.6

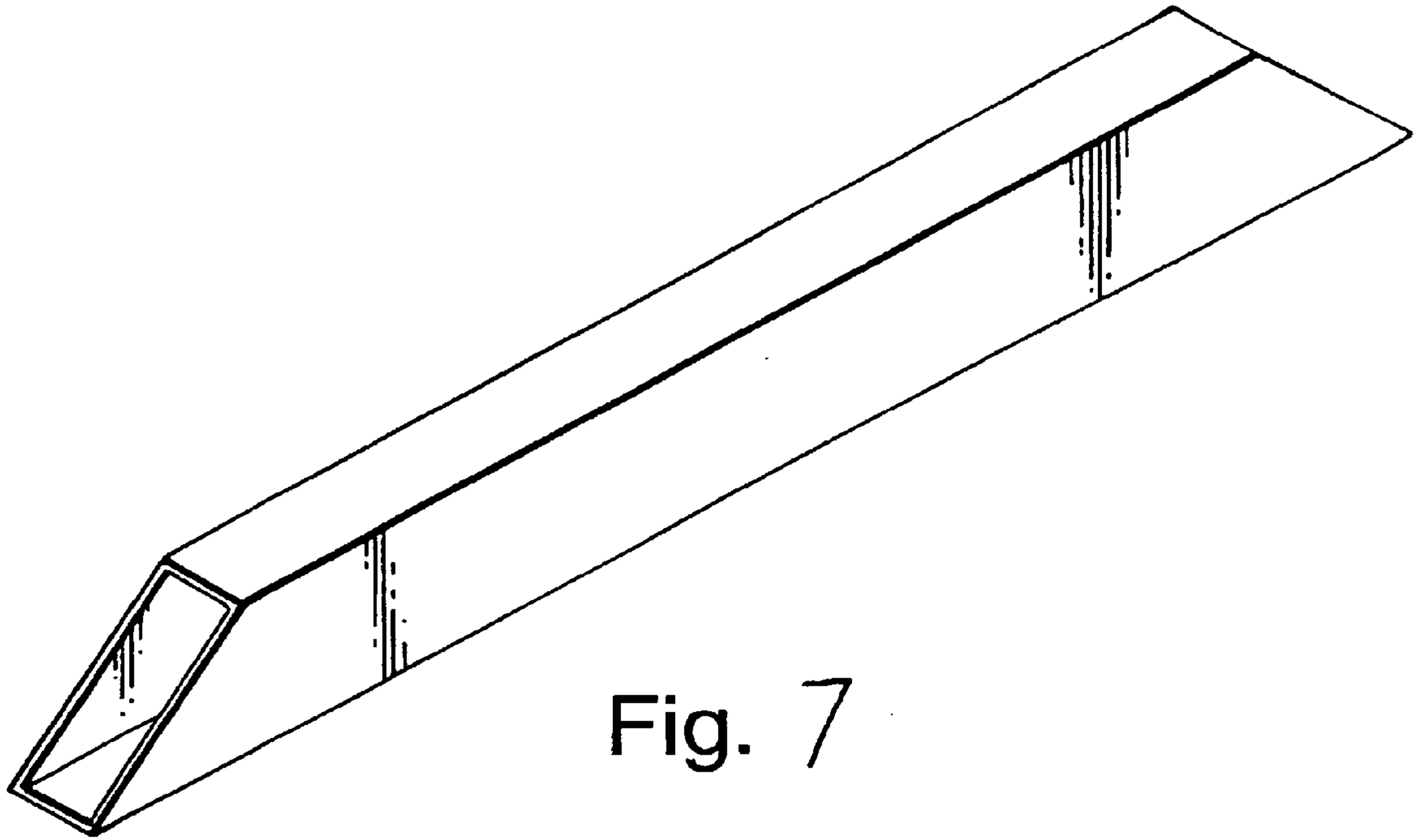


Fig. 7

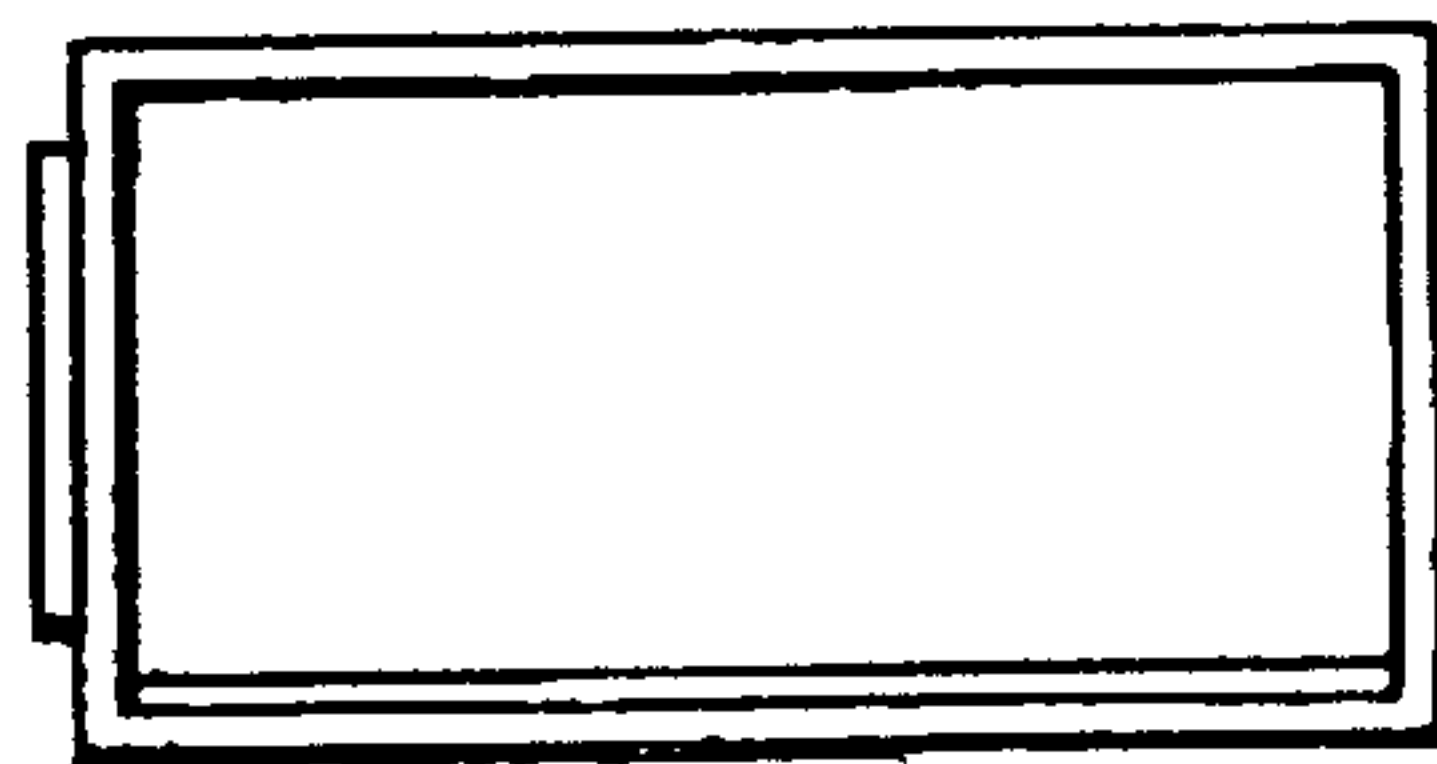


Fig. 8

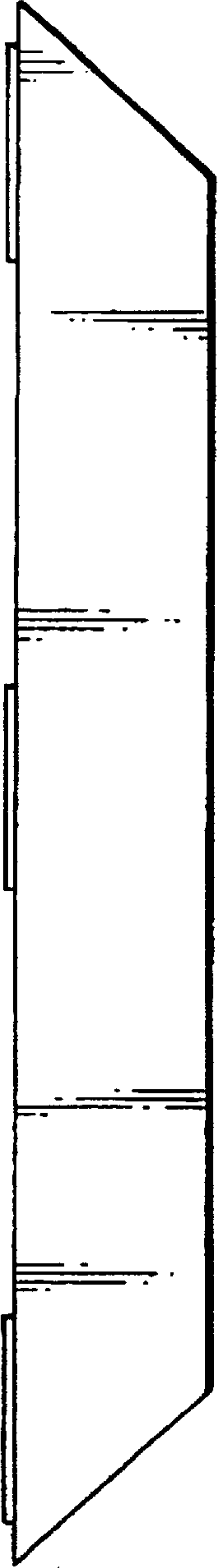


Fig. 9

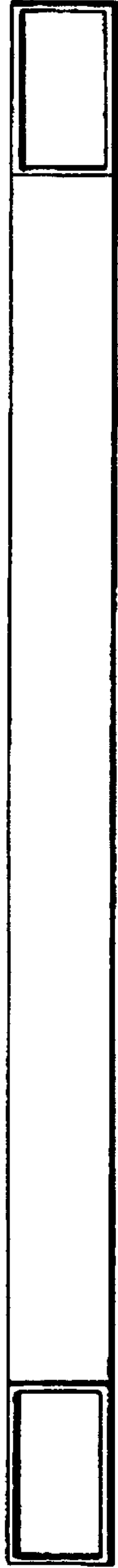


Fig. 10



Fig. 11

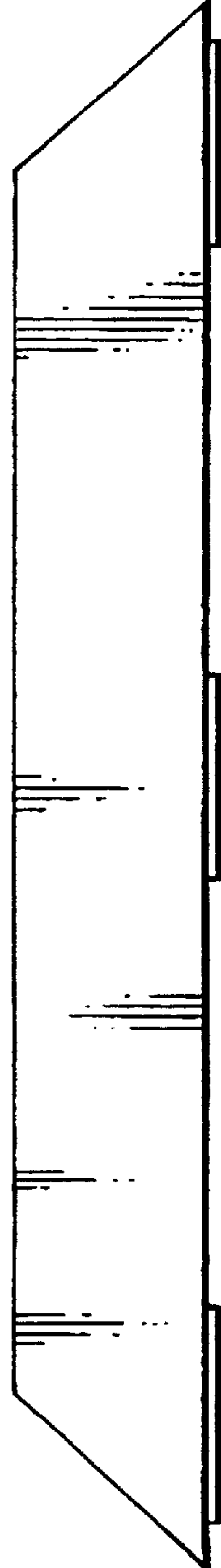


Fig. 12