



US00D469149S

(12) **United States Design Patent**
Levine

(10) **Patent No.:** **US D469,149 S**

(45) **Date of Patent:** **** Jan. 21, 2003**

(54) **ULTRASONIC PEST REPELLER**

(75) Inventor: **Stephen Levine**, Far Hills, NJ (US)

(73) Assignee: **Team Products International, Inc.**,
Parisippany, NJ (US)

(**) Term: **14 Years**

(21) Appl. No.: **29/161,163**

(22) Filed: **May 22, 2002**

(51) **LOC (7) Cl.** **22-06**

(52) **U.S. Cl.** **D22/120**

(58) **Field of Search** D22/119-125;
43/112, 113, 124, 126, 129-59; D23/366-369;
D14/188, 124, 122, 191

(56) **References Cited**

U.S. PATENT DOCUMENTS

D269,990 S	*	8/1983	Hall	D22/120
D348,883 S	*	7/1994	Peersmann	D14/188
D364,163 S	*	11/1995	Scheid et al.	D14/191
D366,521 S	*	1/1996	Wijaranakula	D23/366
D423,071 S	*	4/2000	Bonnema	D22/120
D458,334 S	*	6/2002	Levine	D22/120

* cited by examiner

Primary Examiner—Catherine R. Oliver
(74) *Attorney, Agent, or Firm*—Darby & Darby

(57) **CLAIM**

The ornamental design for a ultrasonic pest repeller, as shown and described.

DESCRIPTION

FIG. 1 is a perspective view of a ultrasonic pest repeller, showing our new design;

FIG. 2 is a front view of the ultrasonic pest repeller shown in FIG. 1;

FIG. 3 is a left side view of the ultrasonic pest repeller shown in FIG. 1;

FIG. 4 is a rear view of the ultrasonic pest repeller shown in FIG. 1;

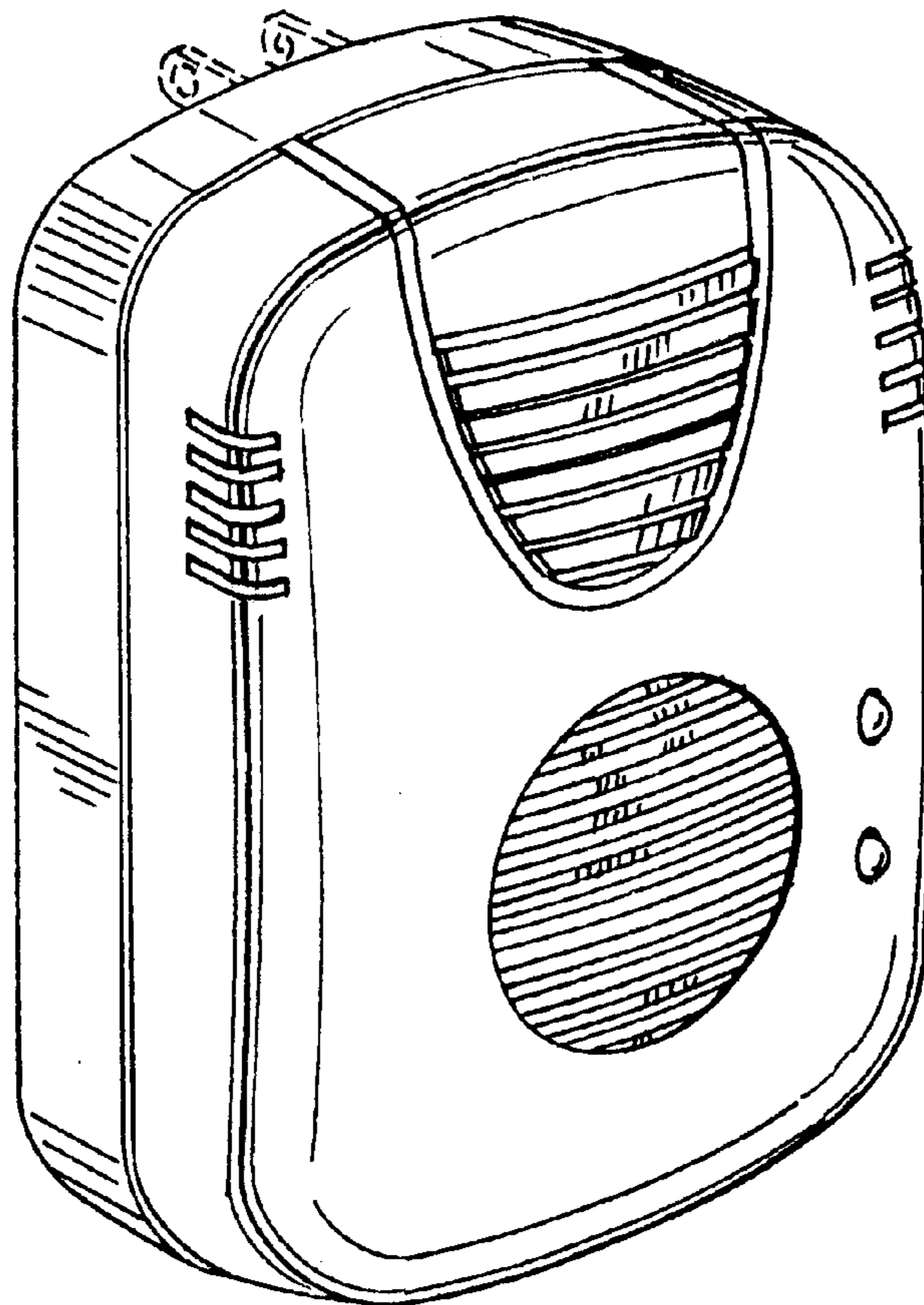
FIG. 5 is a right side view of the ultrasonic pest repeller shown in FIG. 1;

FIG. 6 is a top view of the ultrasonic pest repeller shown in FIG. 1; and,

FIG. 7 is a bottom view of the ultrasonic pest repeller shown in FIG. 1.

The broken line showing of environment in the drawings is for illustrative purposes only and forms no part of the claimed design.

1 Claim, 3 Drawing Sheets



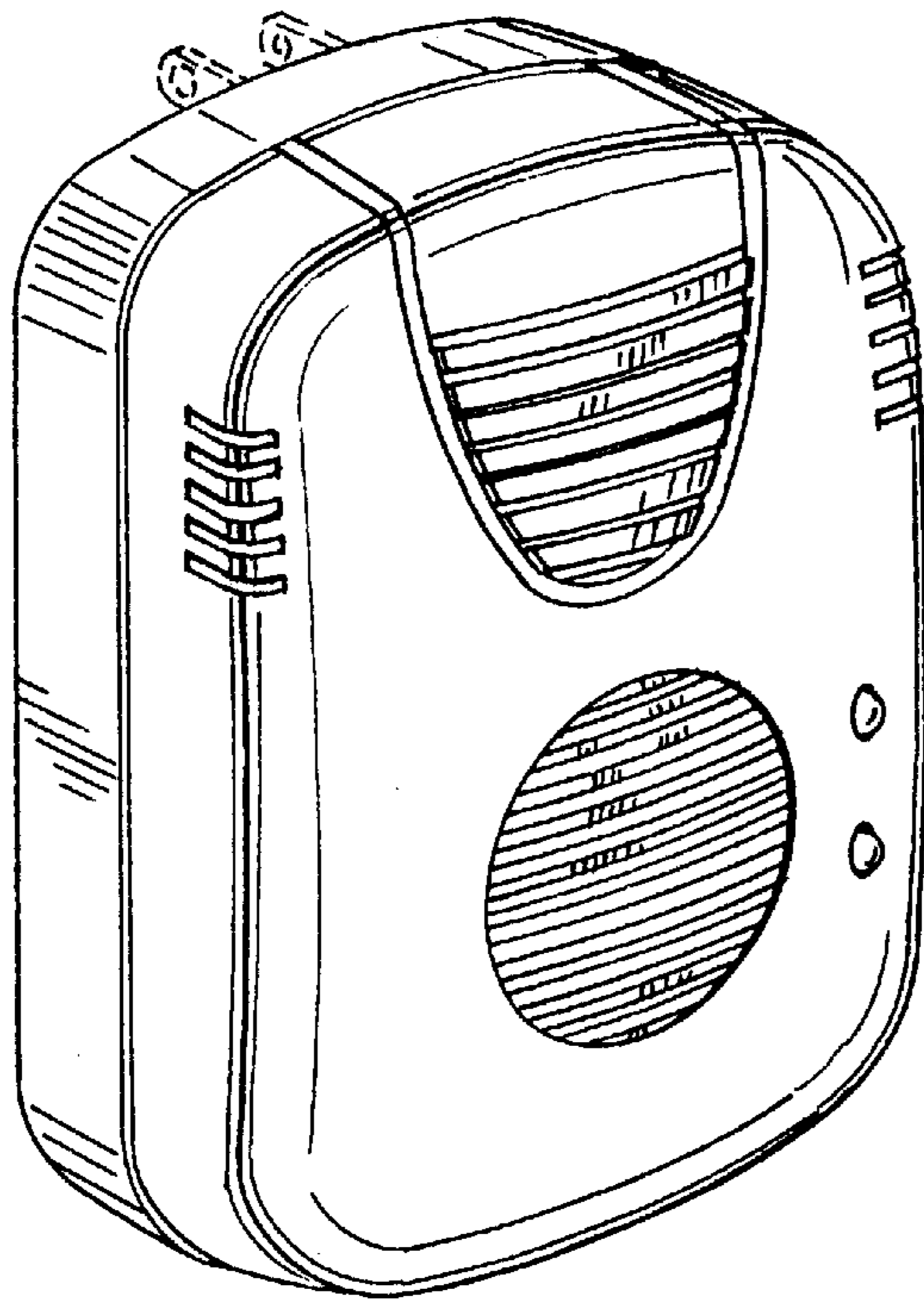


Fig. 1

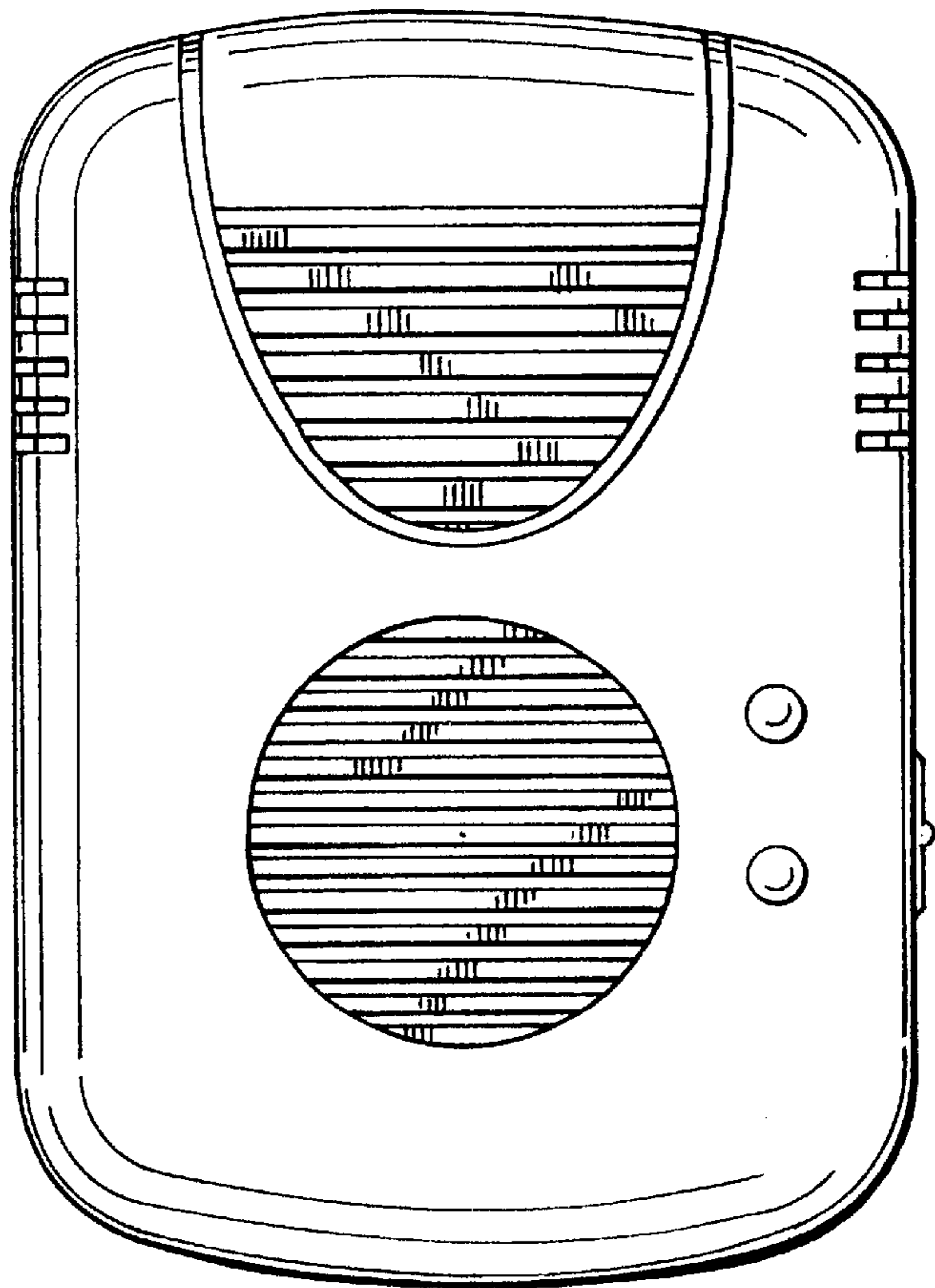


Fig. 2

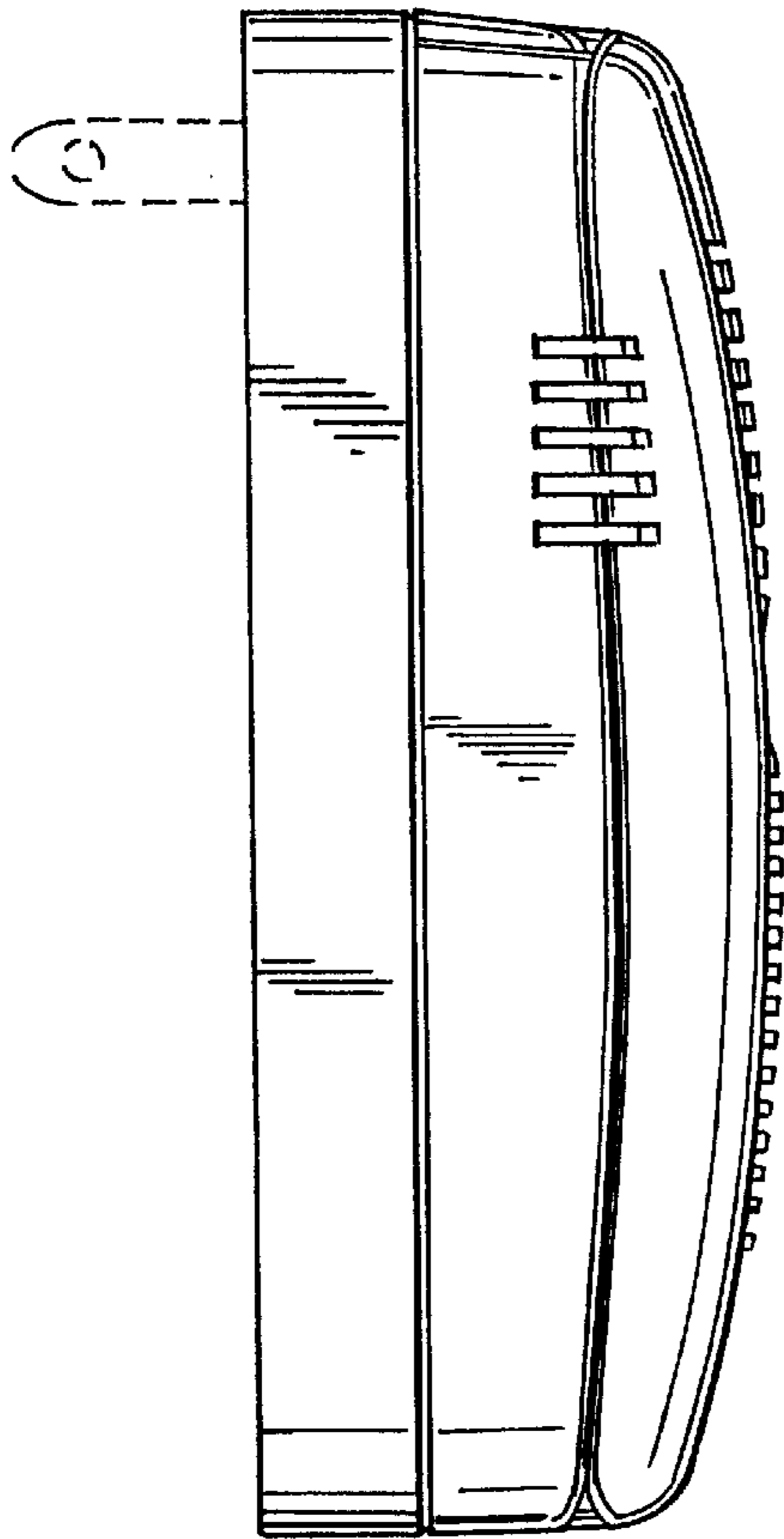


Fig. 3

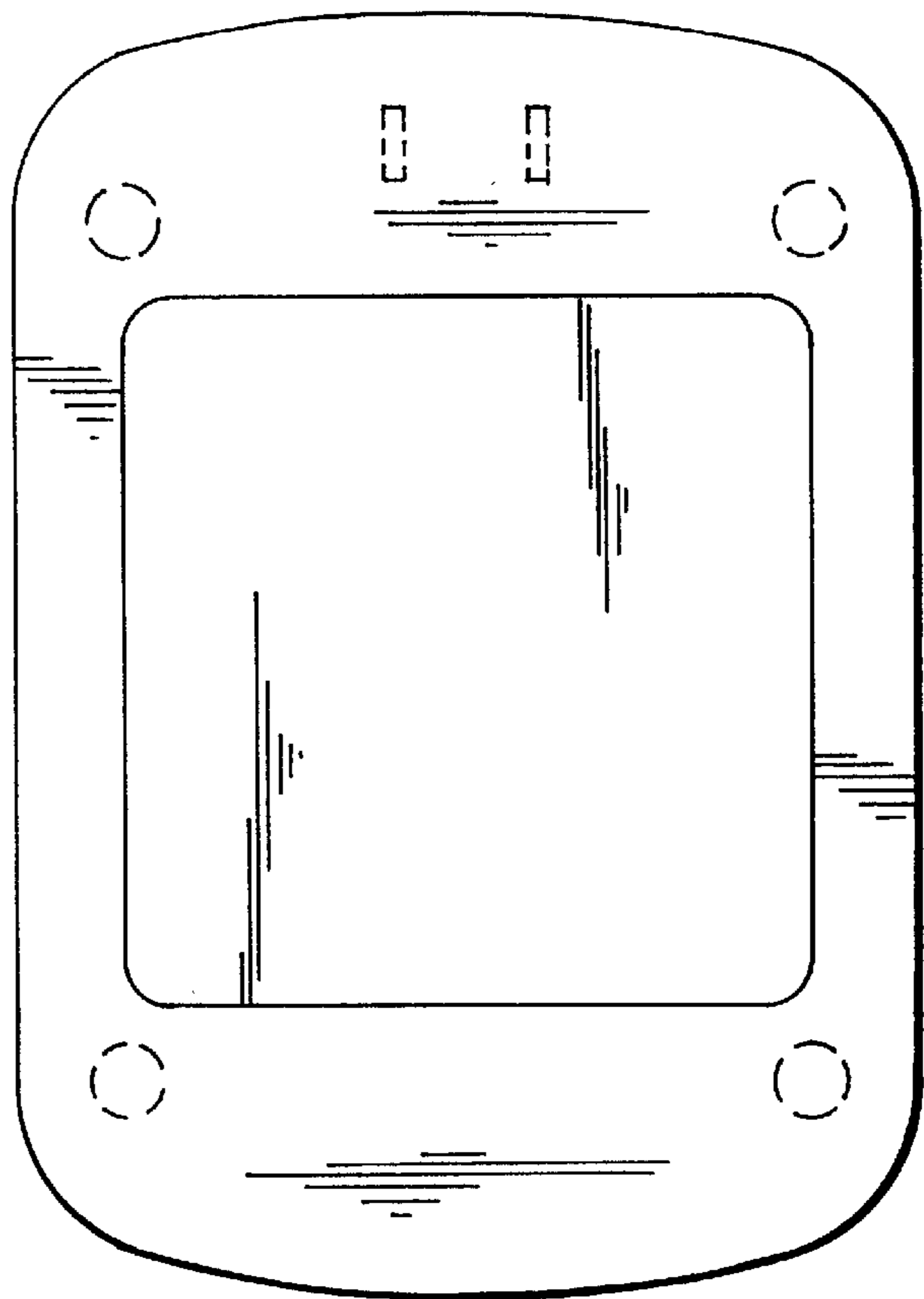


Fig. 4

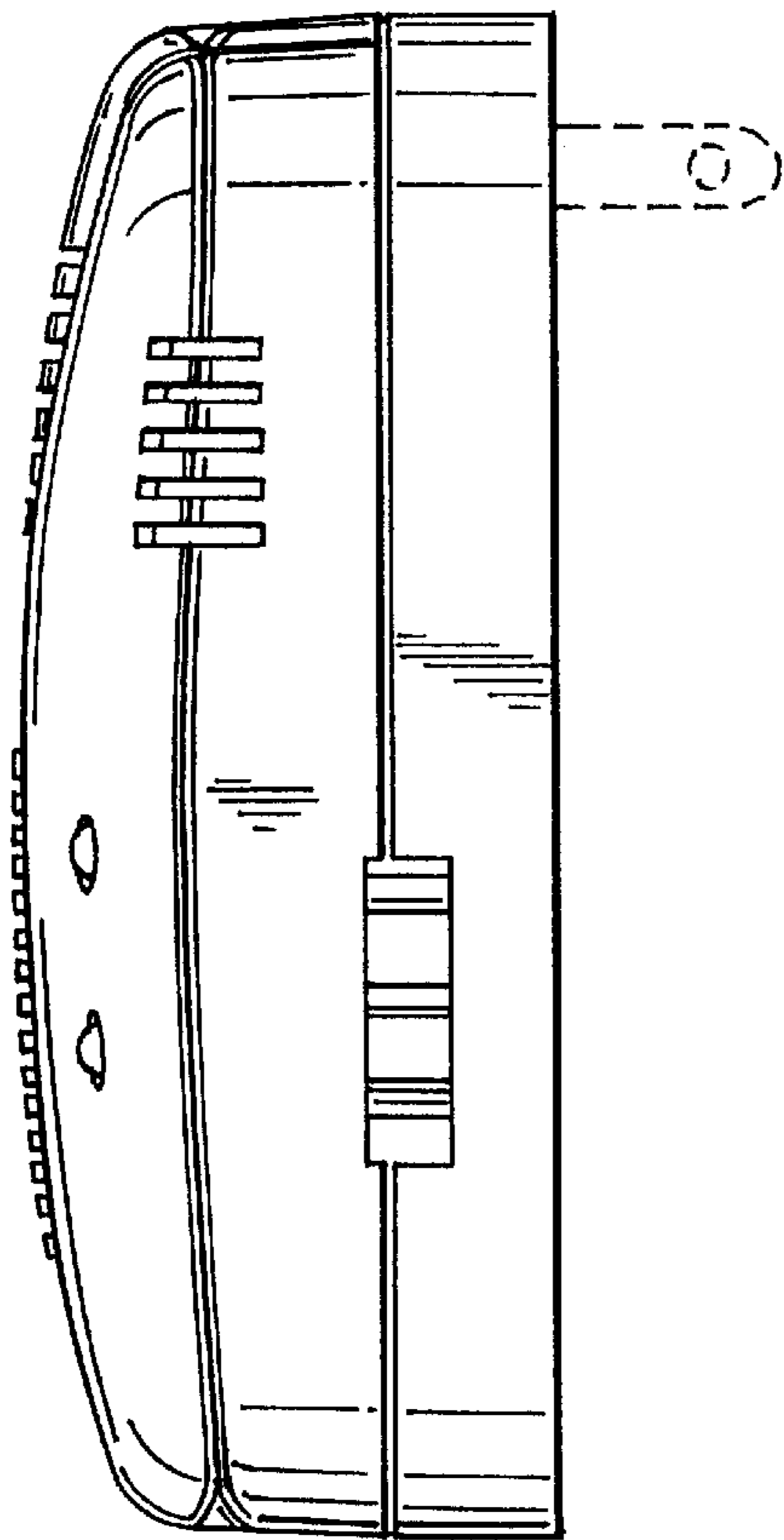


Fig. 5

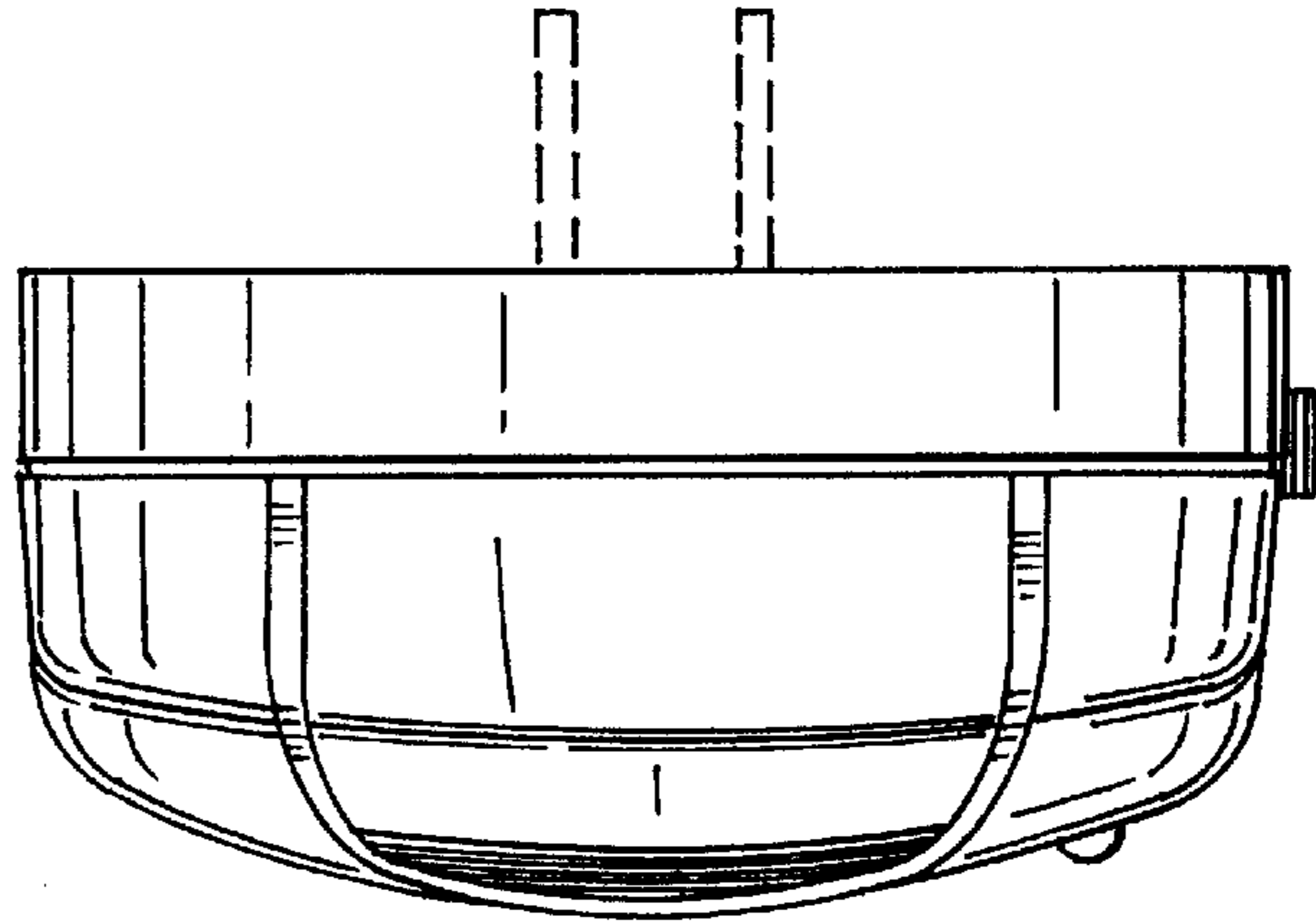


Fig. 6

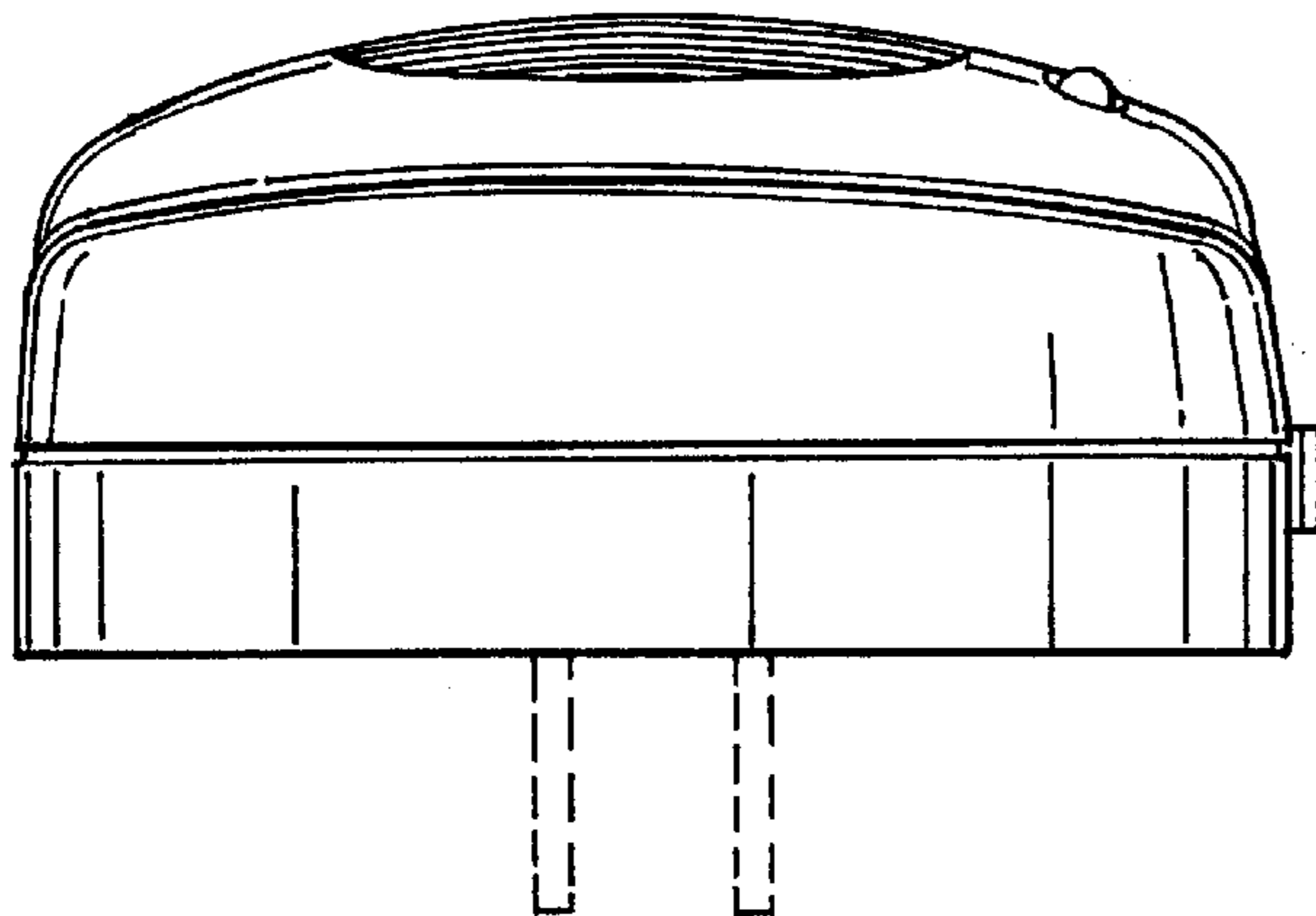


Fig. 7