



US00D469146S

(12) **United States Design Patent**
Schroedl

(10) **Patent No.:** **US D469,146 S**

(45) **Date of Patent:** **** Jan. 21, 2003**

(54) **MOLE TRAP**

6,101,761 A * 8/2000 Sprick 43/88

(76) Inventor: **Jon Schroedl**, 6014 - 95th Dr. SE.,
Snohomish, WA (US) 98290

* cited by examiner

(**) Term: **14 Years**

Primary Examiner—Catherine R. Oliver
(74) *Attorney, Agent, or Firm*—Dean A. Craine

(21) Appl. No.: **29/160,761**

(57) **CLAIM**

(22) Filed: **May 16, 2002**

The ornamental design for a mole trap, as shown and described.

(51) **LOC (7) Cl.** **22-06**

DESCRIPTION

(52) **U.S. Cl.** **D22/119**

(58) **Field of Search** **D22/119-125;**
43/88, 90, 91, 92, 85, 77, 78, 79

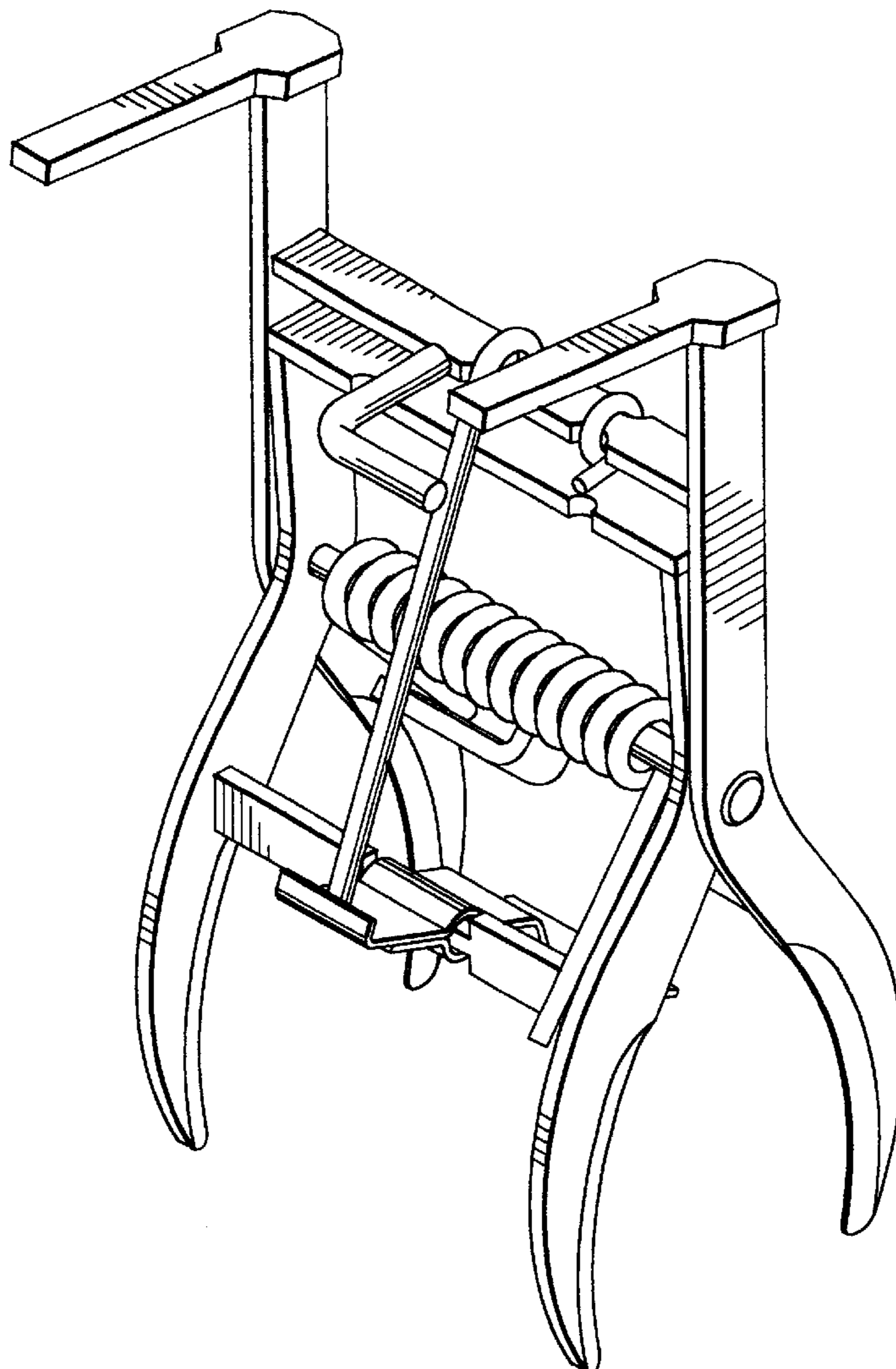
FIG. 1 is a perspective view of the mole trap.
FIG. 2 is a left side elevational view of the invention.
FIG. 3 is a right side elevational view of the invention.
FIG. 4 is a front elevational view of the invention.
FIG. 5 is a rear elevational view of the invention.
FIG. 6 is a top plan view of the invention; and,
FIG. 7 is a bottom plan view of the invention.

(56) **References Cited**

U.S. PATENT DOCUMENTS

615,851 A * 12/1898 Hooker 43/88
1,830,675 A * 11/1931 Raymond 43/88
5,307,587 A 5/1994 Zeiger et al. 43/88

1 Claim, 4 Drawing Sheets



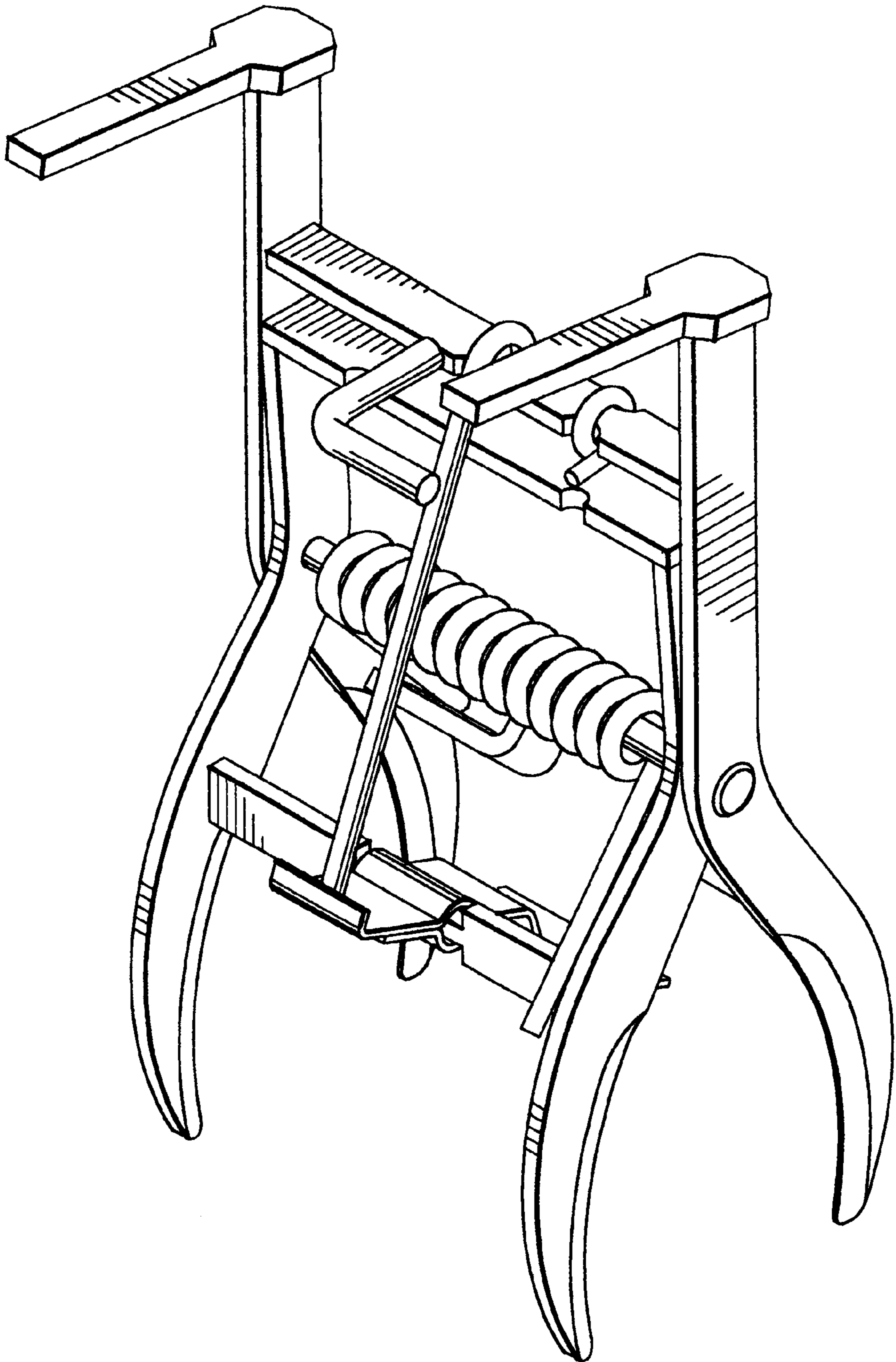


FIG. 1

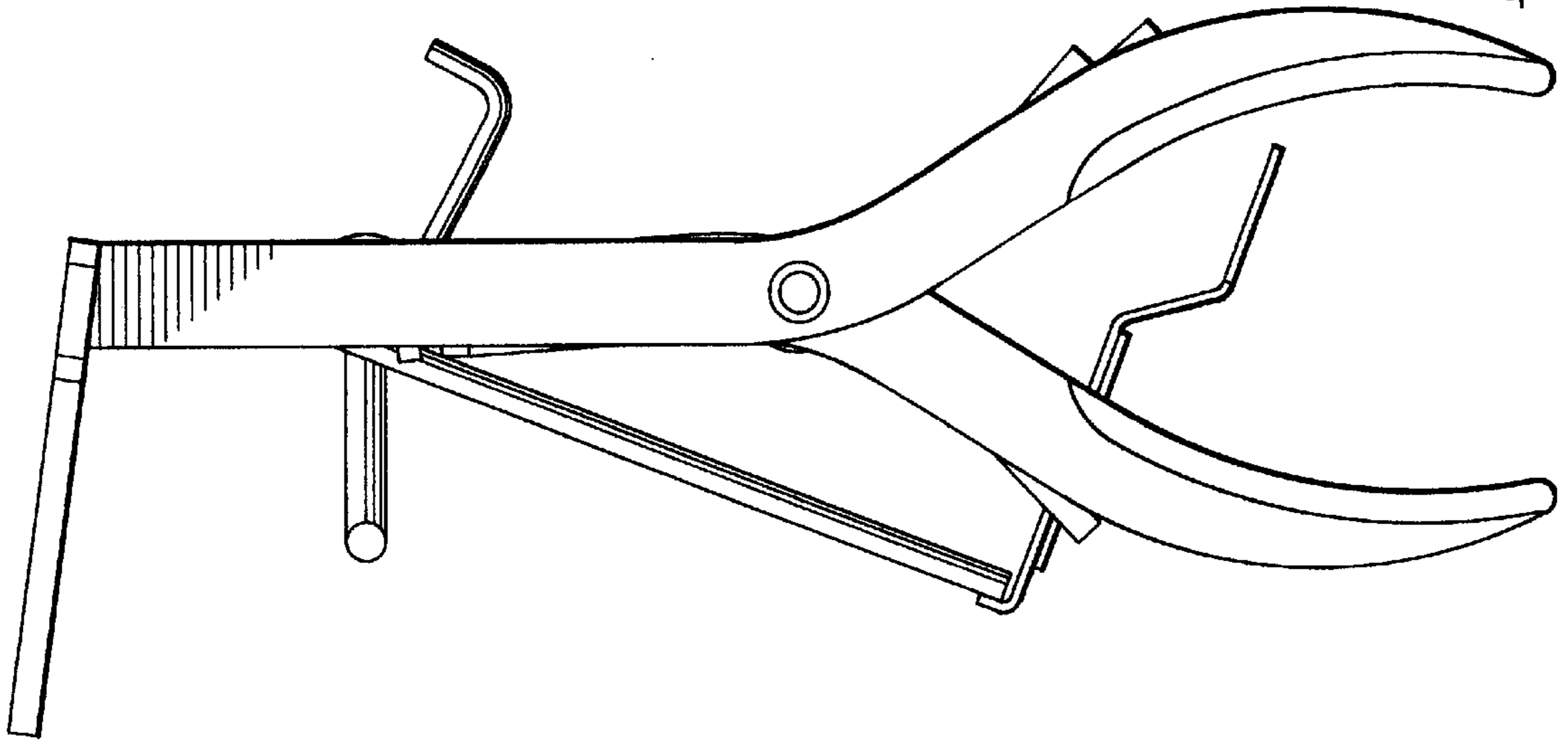


FIG. 3

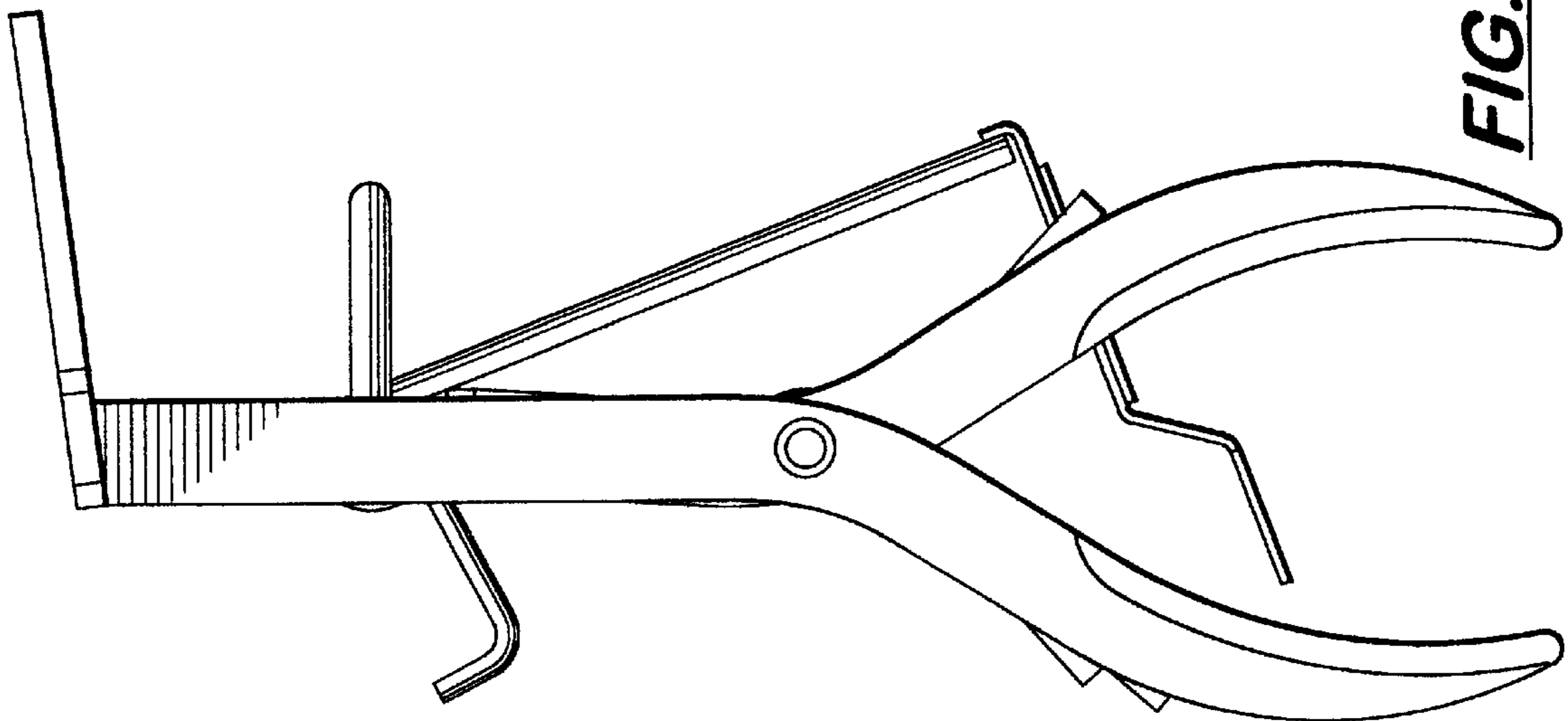


FIG. 2

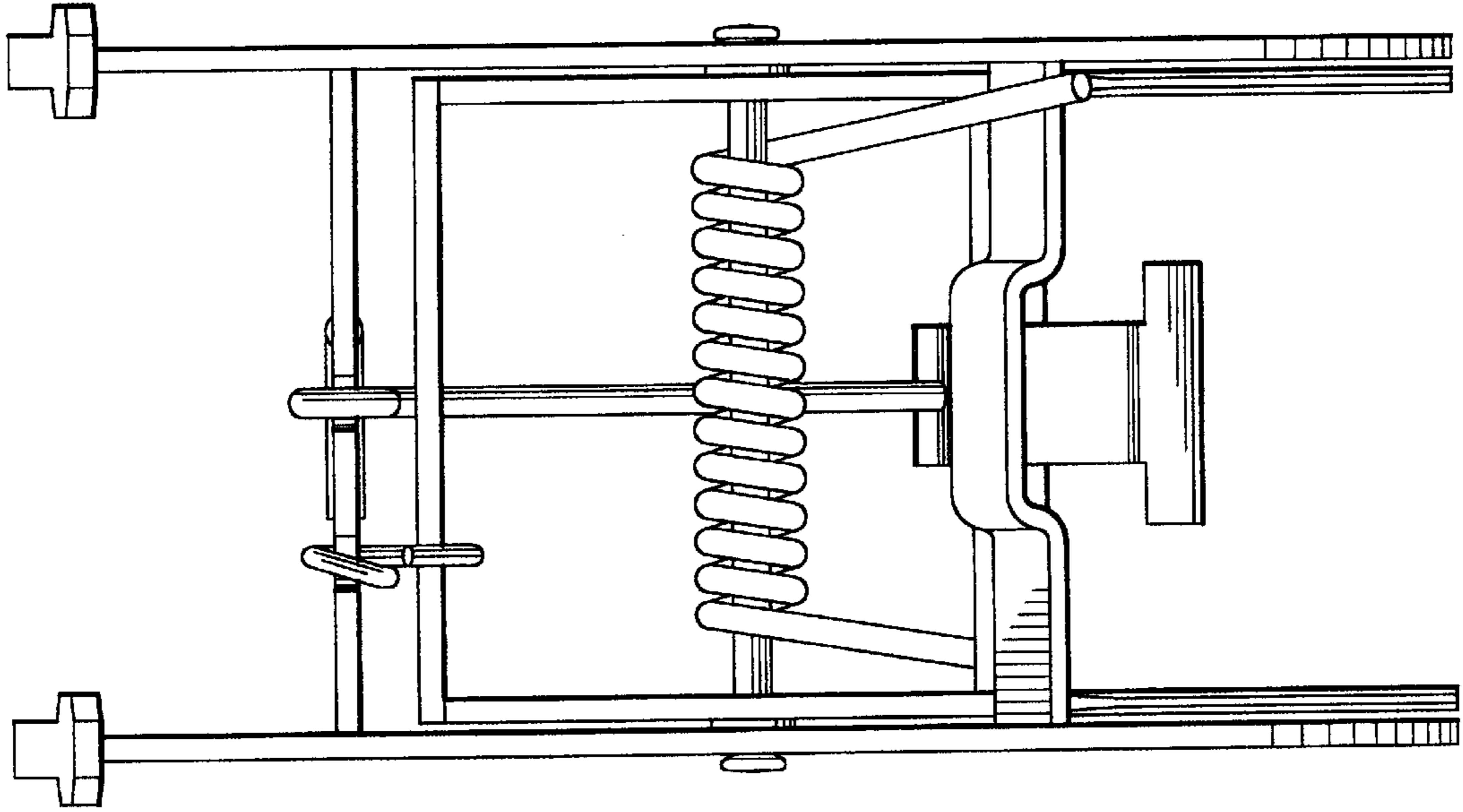


FIG. 5

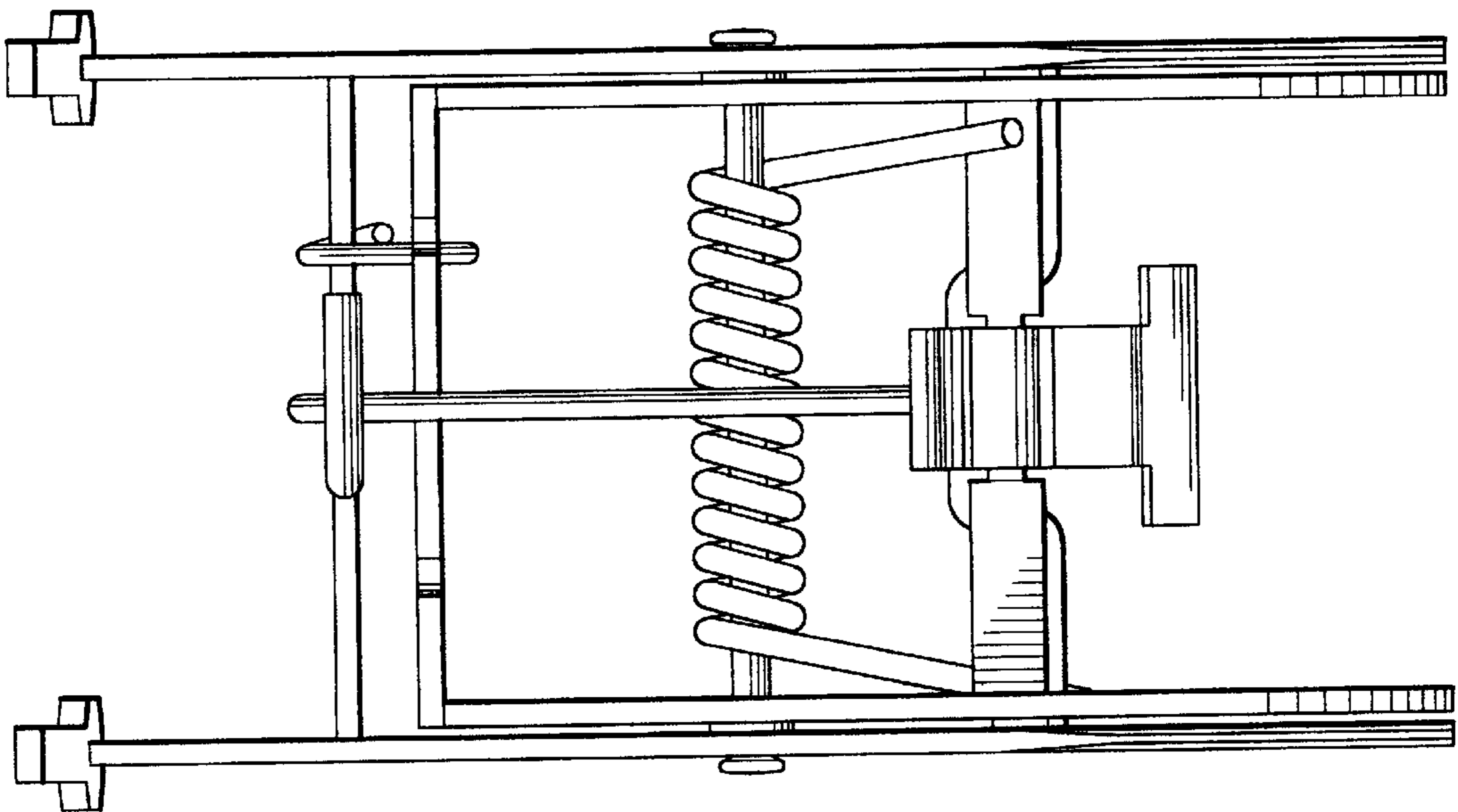


FIG. 4

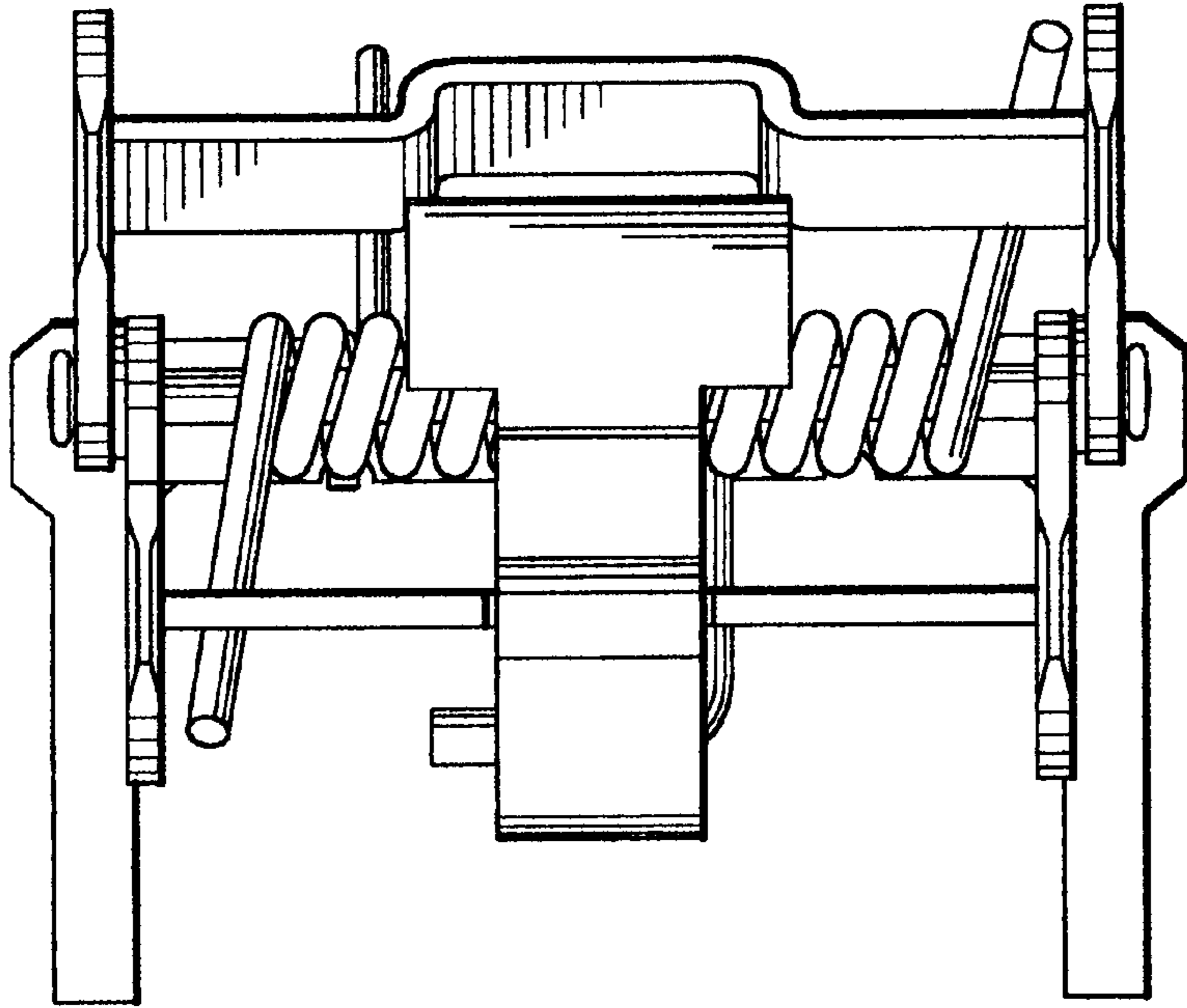


FIG. 7

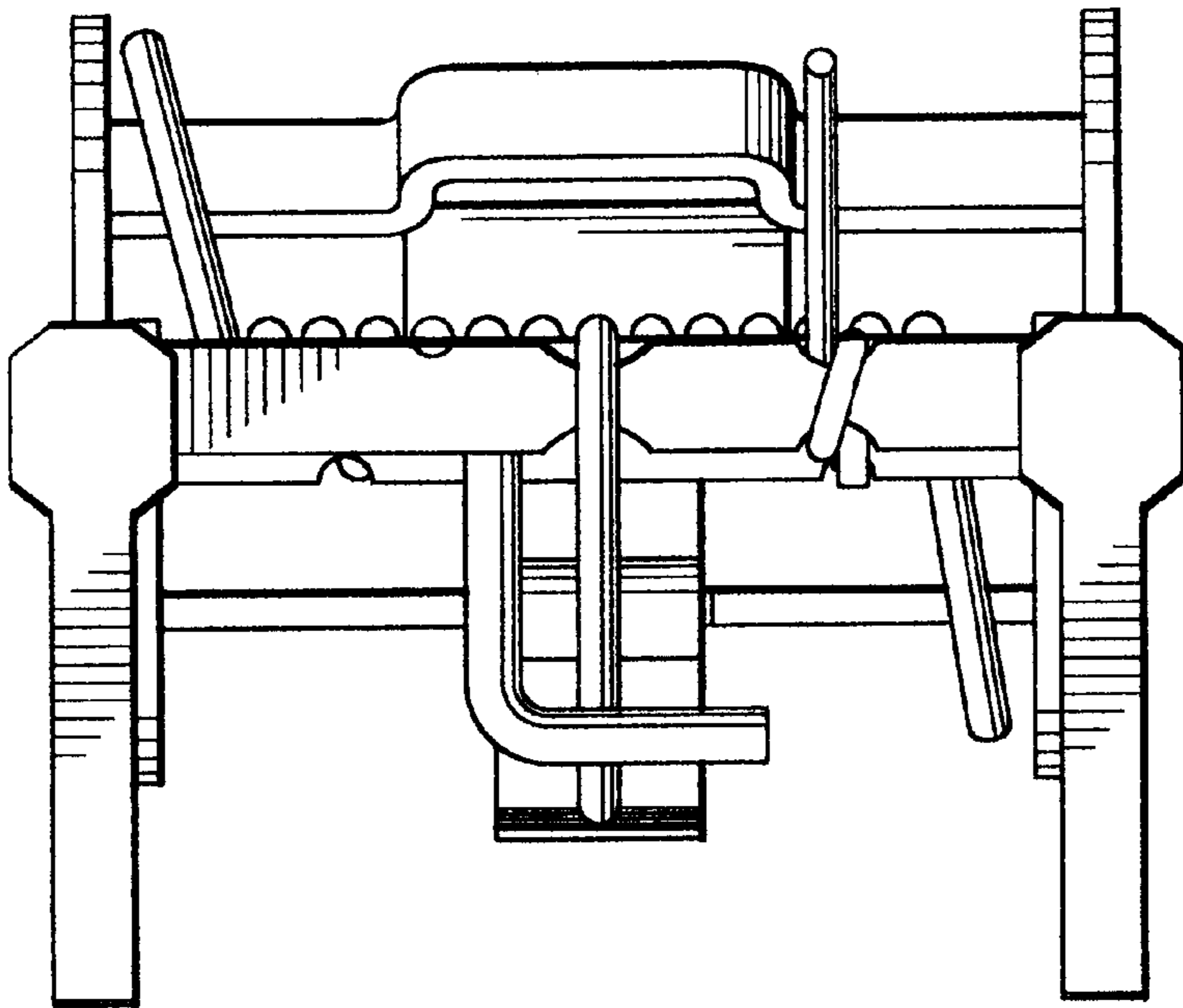


FIG. 6