



US00D469142S

(12) **United States Design Patent**
Forrest

(10) **Patent No.:** **US D469,142 S**

(45) **Date of Patent:** **** Jan. 21, 2003**

(54) **POP-UP TACKLING PRACTICE MACHINE**

(76) Inventor: **Charles P. Forrest**, P.O. Box 579,
Stapleton, AL (US) 36578

(**) Term: **14 Years**

(21) Appl. No.: **29/160,606**

(22) Filed: **May 15, 2002**

Related U.S. Application Data

(62) Division of application No. 29/143,012, filed on Jun. 7,
2001.

(51) **LOC (7) Cl.** **21-02**

(52) **U.S. Cl.** **D21/788**

(58) **Field of Search** D21/698, 788;
473/441, 444

(56) **References Cited**

U.S. PATENT DOCUMENTS

1,287,176 A * 12/1918 Armstrong 473/444

D217,482 S * 5/1970 Pray D21/788
D233,219 S * 10/1974 O'Donnell D21/788
4,934,938 A * 6/1990 Orlandi et al. 473/444
5,090,696 A * 2/1992 Forrest, Sr. 473/444
6,261,194 B1 * 7/2001 Hadar et al. 473/441

* cited by examiner

Primary Examiner—Dominic Simone

(74) *Attorney, Agent, or Firm*—H. Jay Spiegel

(57) **CLAIM**

The ornamental design for a pop-up tackling practice machine, as shown and described.

DESCRIPTION

FIG. 1 shows a top perspective view of my claimed design.
FIG. 2 shows a bottom perspective view of my claimed design.

FIG. 3 shows a front view thereof.

FIG. 4 shows a rear view thereof.

FIG. 5 shows a right side view thereof; and,

FIG. 6 shows a left side view thereof.

1 Claim, 3 Drawing Sheets

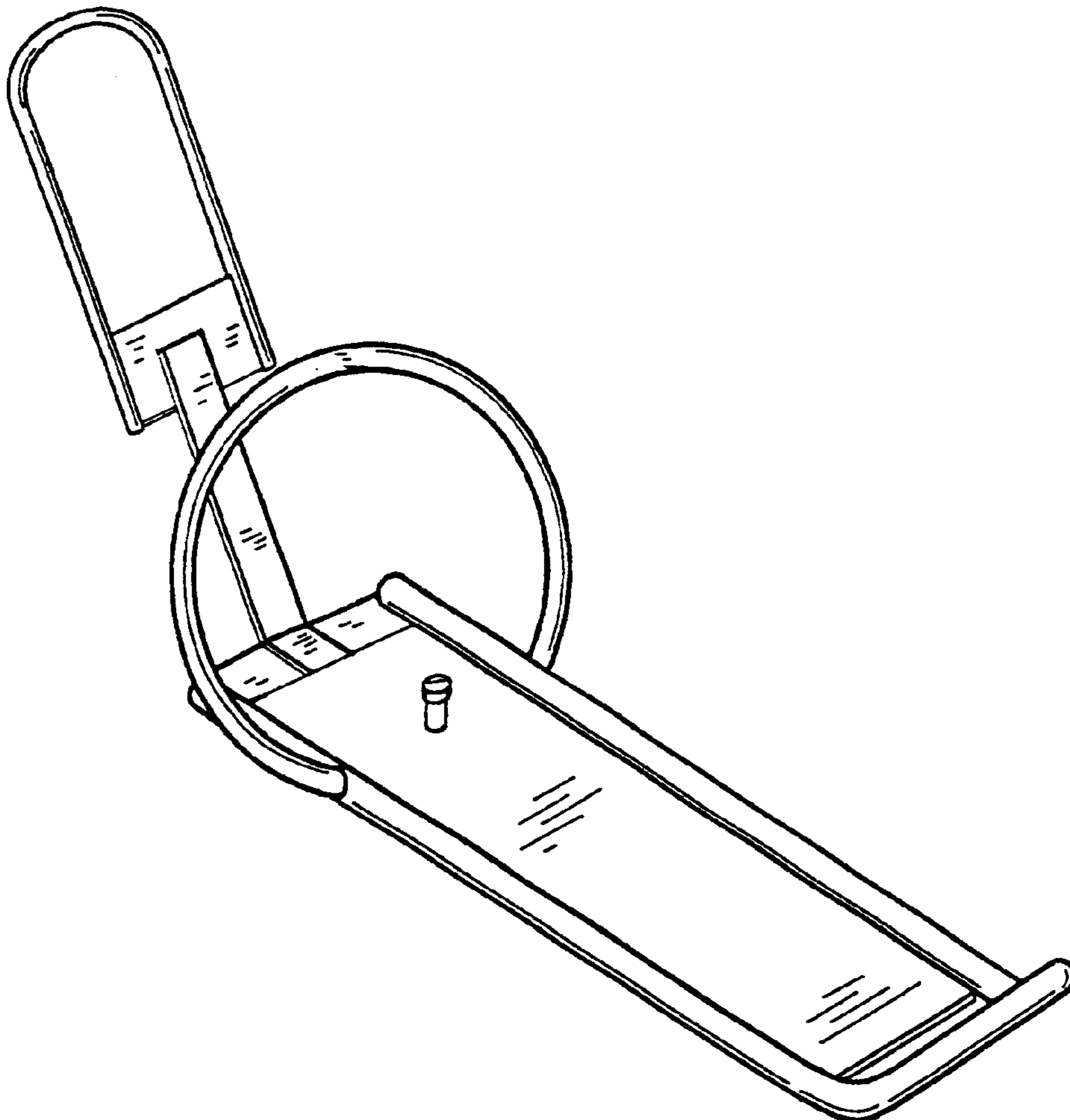


FIG. 1

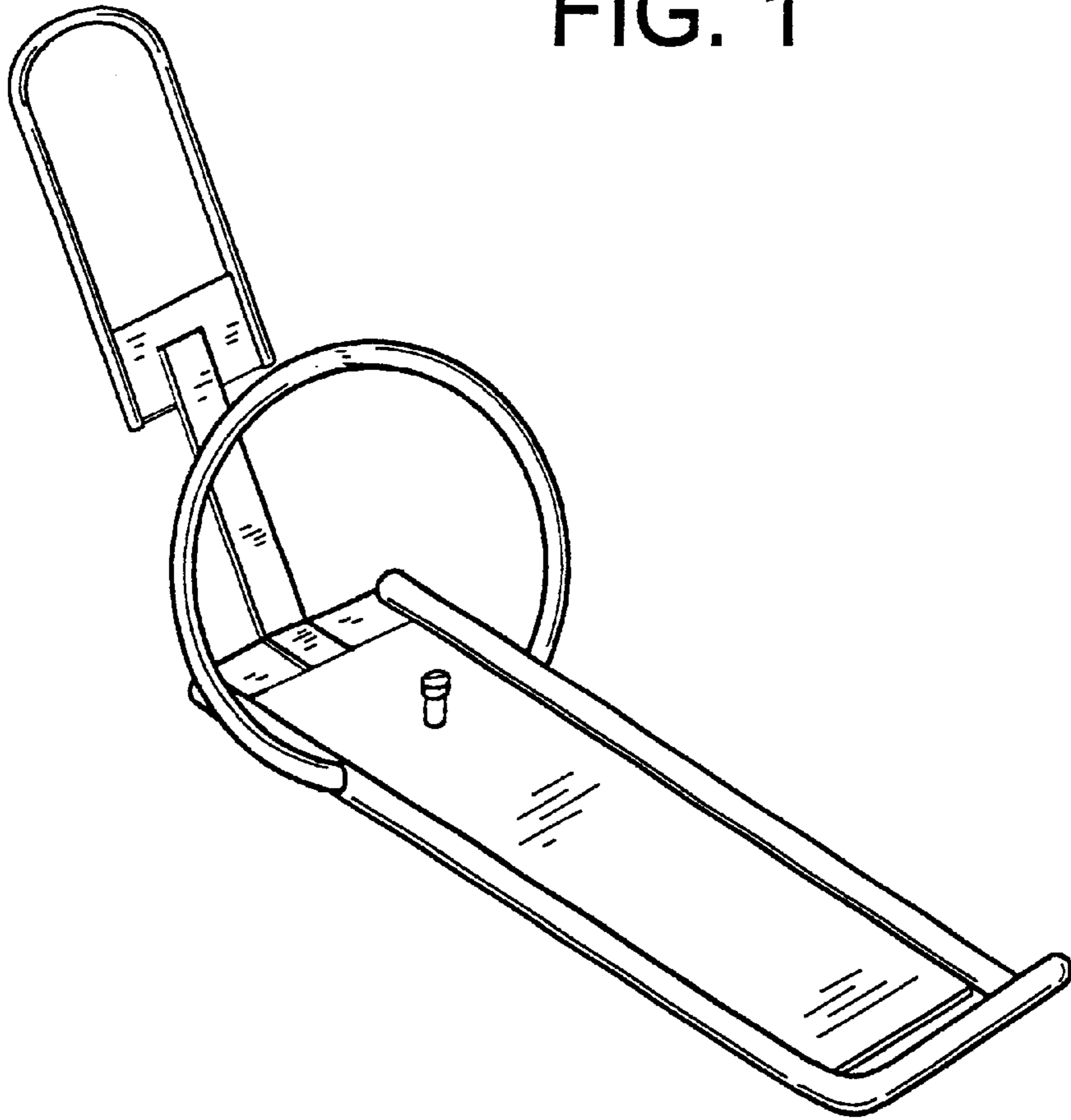


FIG. 2

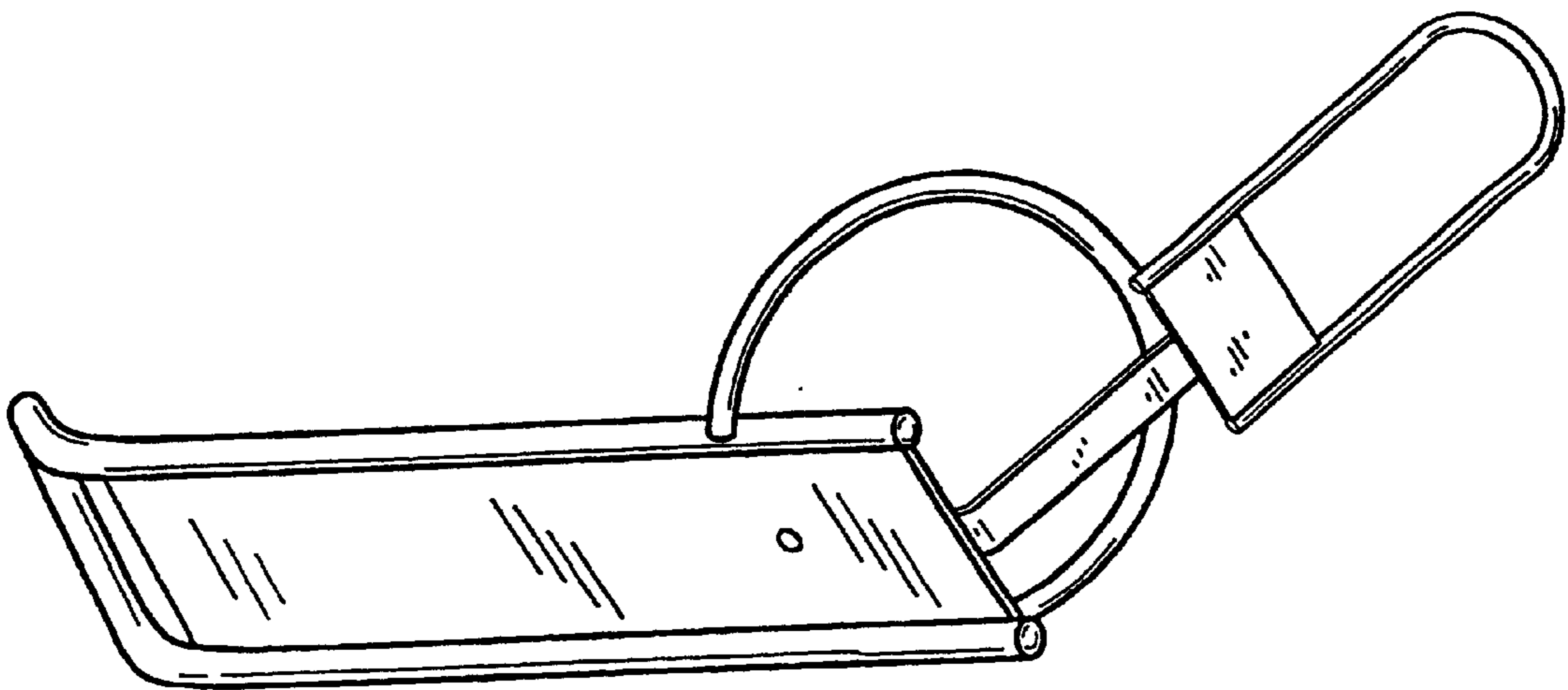


FIG. 3

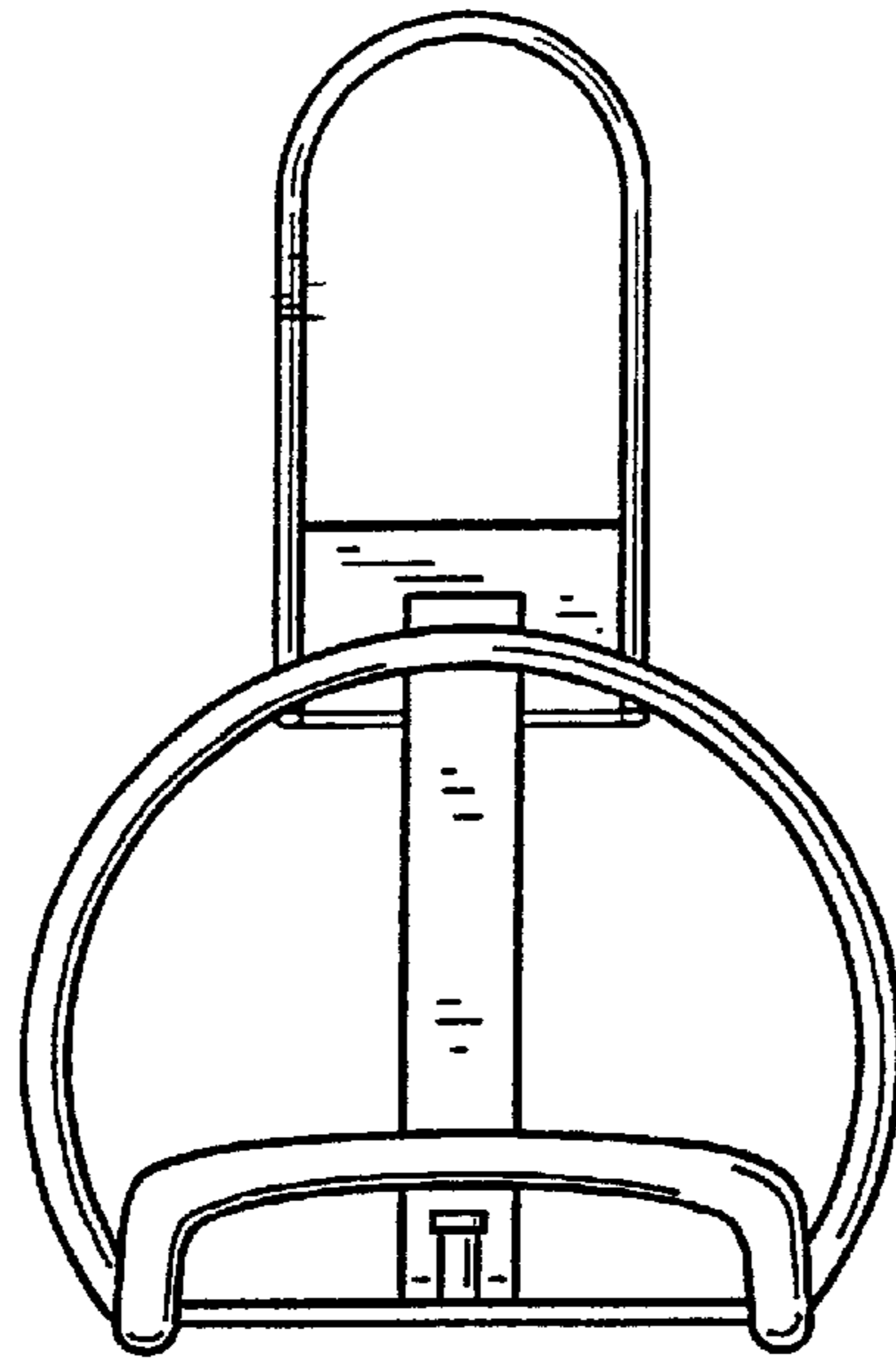


FIG. 4

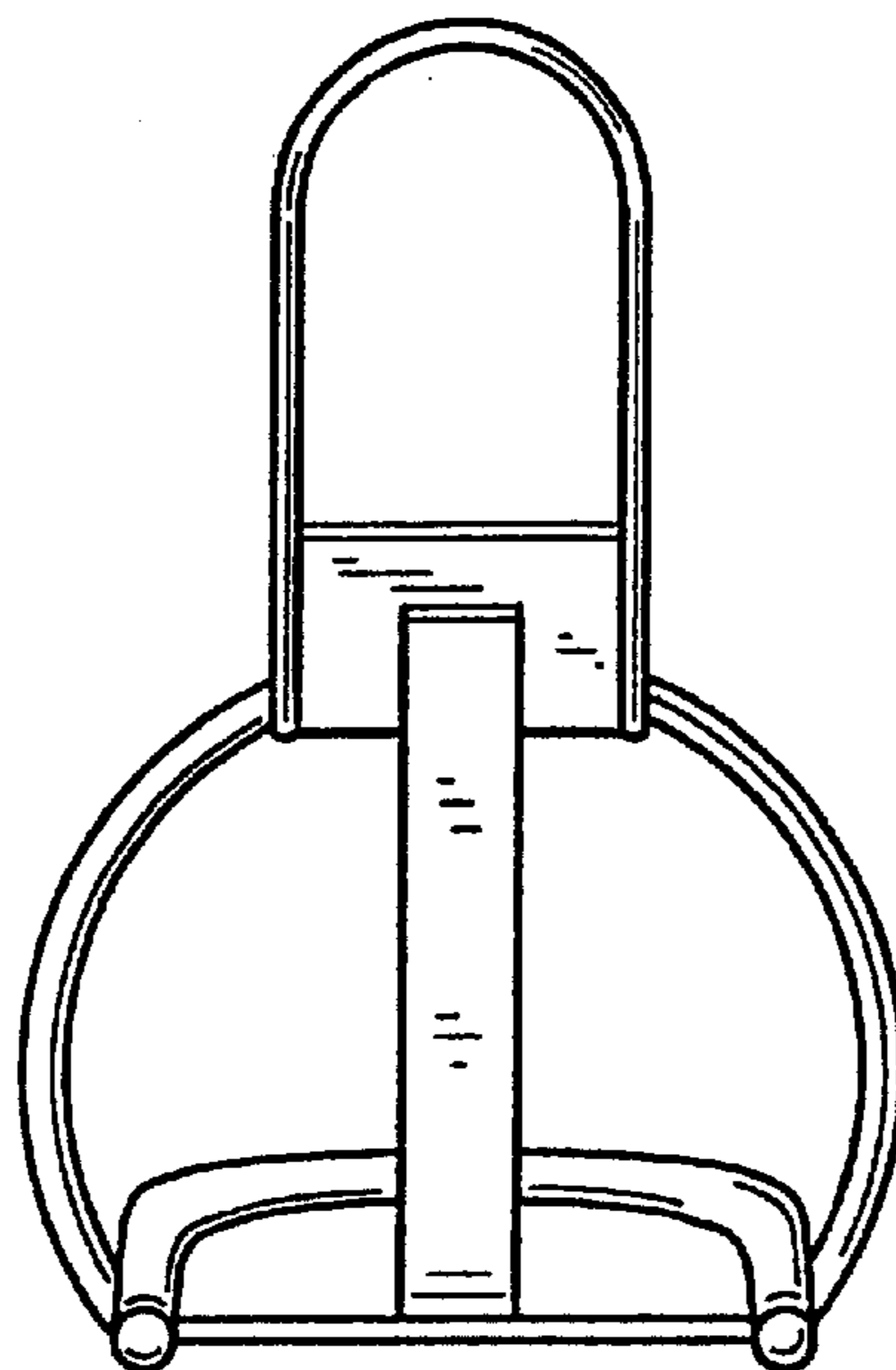


FIG. 5

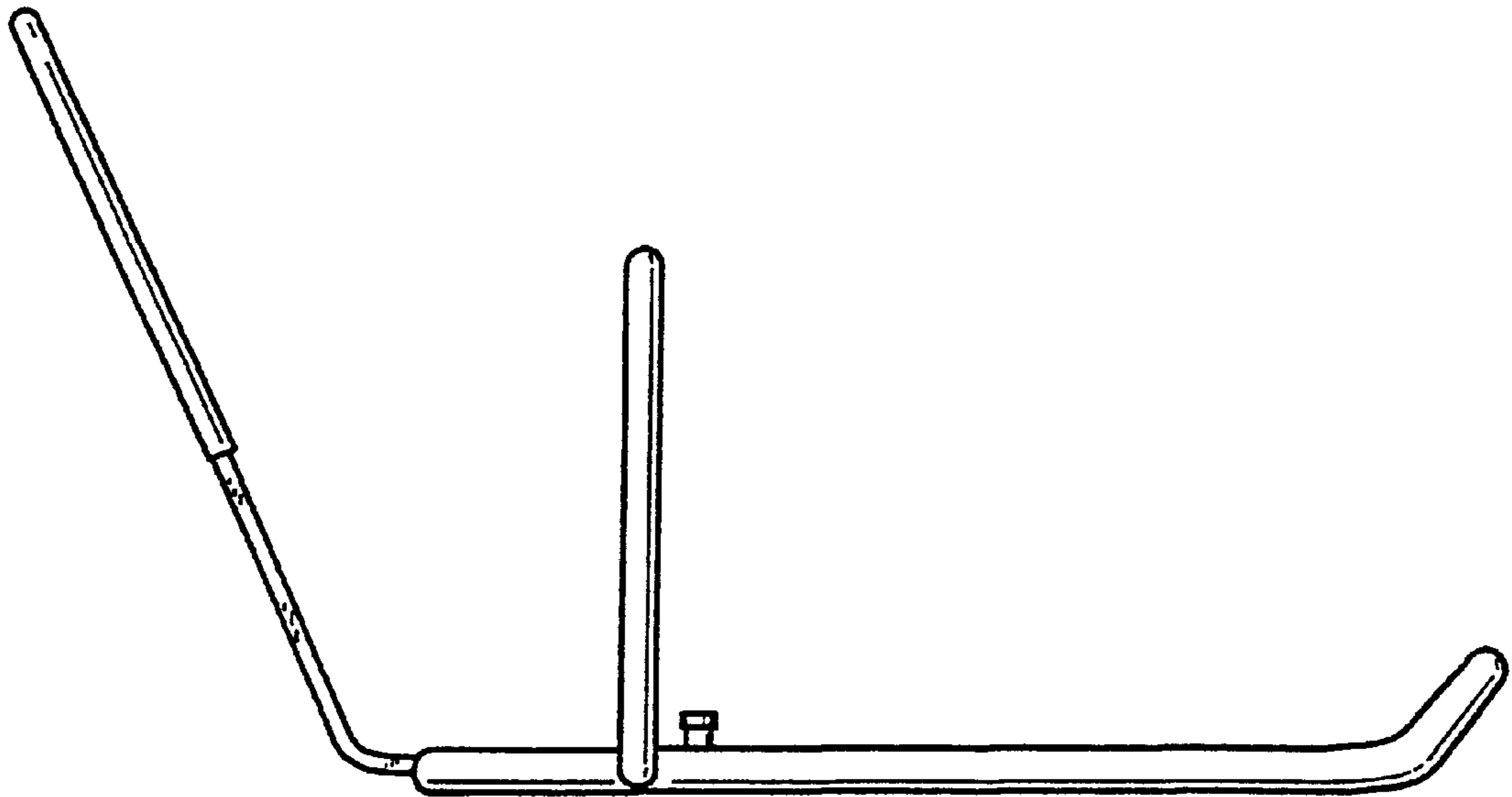


FIG. 6

