



US00D469135S

(12) **United States Design Patent**
Bell

(10) **Patent No.:** **US D469,135 S**

(45) **Date of Patent:** **** Jan. 21, 2003**

(54) **EXERCISE DEVICE**

(76) **Inventor:** **Donnie Bell**, 2959 Edna La., Decatur,
GA (US) 30032

(**) **Term:** **14 Years**

(21) **Appl. No.:** **29/147,812**

(22) **Filed:** **Sep. 7, 2001**

(51) **LOC (7) Cl.** **21-02**

(52) **U.S. Cl.** **D21/662**

(58) **Field of Search** D21/662, 681,
D21/684, 487, 679; D23/260, 269, 299;
D6/580; D25/126; 4/295; 482/109, 91,
148, 45; D8/338; D7/679; 446/128

(56) **References Cited**

U.S. PATENT DOCUMENTS

3,006,646 A * 10/1961 Nanni 482/109
3,503,035 A * 3/1970 Lazar et al. 439/578
4,804,733 A * 2/1989 Bataille 138/177

D347,665 S * 6/1994 Hatting D21/487
5,716,305 A 2/1998 Selsam 482/93
5,788,555 A * 8/1998 Glynn 403/263
5,911,651 A * 6/1999 Liu 482/107
D428,946 S * 8/2000 Boorstein D21/604

* cited by examiner

Primary Examiner—Philip S. Hyder

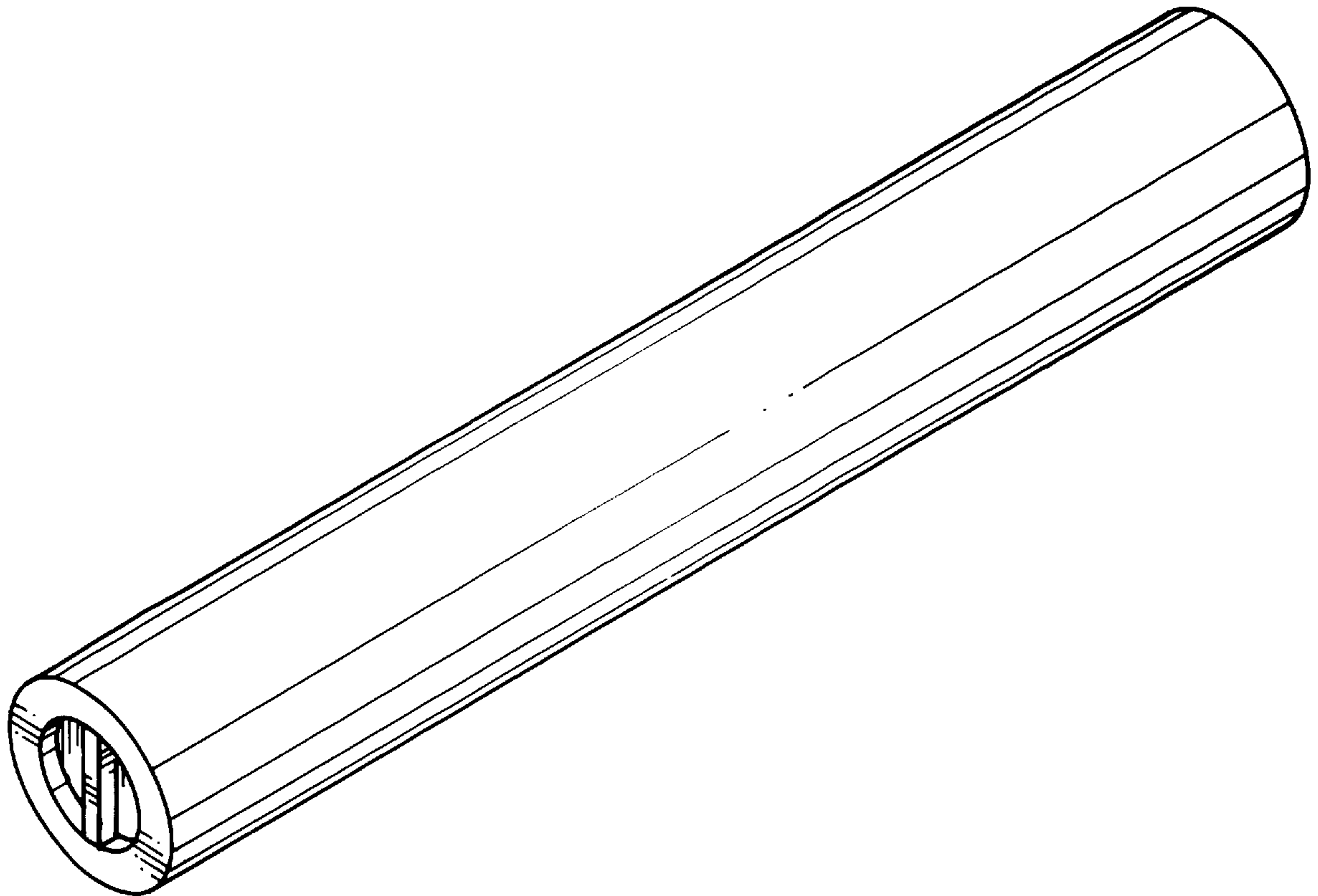
(57) **CLAIM**

I claim the ornamental design for an exercise device, as shown and described.

DESCRIPTION

FIG. 1 is a perspective view of an exercise device, showing my new design;
FIG. 2 is a front elevational view thereof, the rear elevational view, the top plan view and the bottom plan view being identical to this Figure;
FIG. 3 is a right end elevational view thereof; and,
FIG. 4 is a left end elevational view thereof.

1 Claim, 2 Drawing Sheets



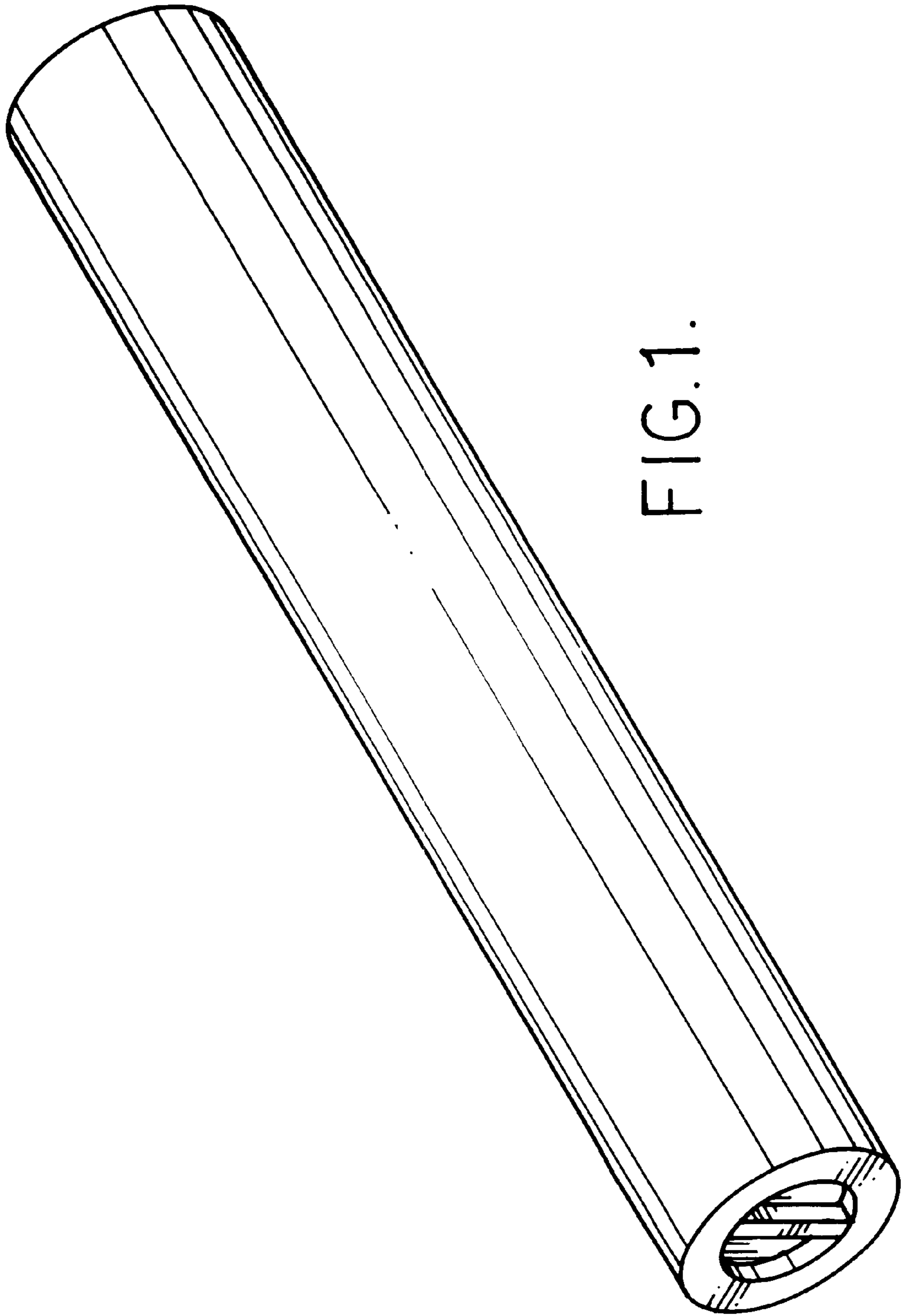


FIG.1.

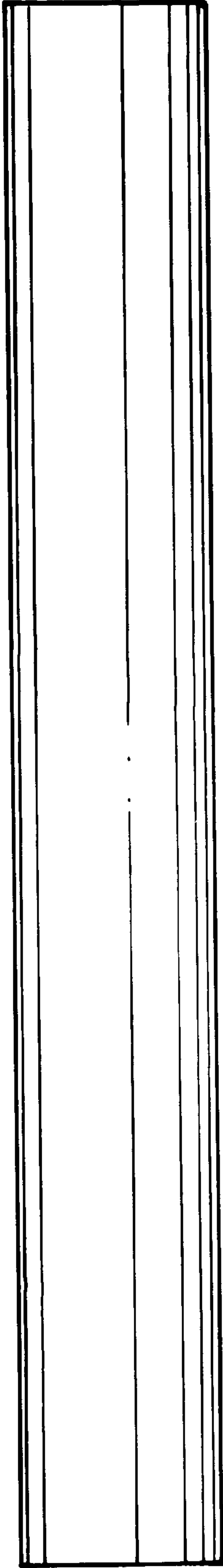


FIG. 2.

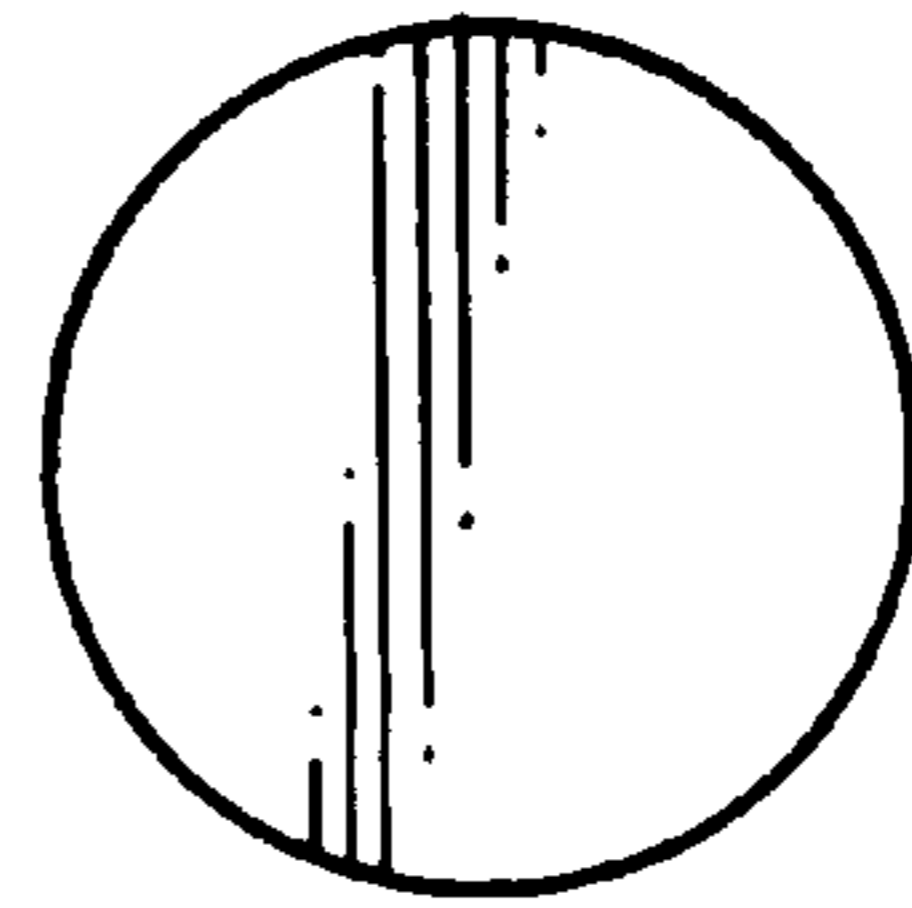


FIG. 3.

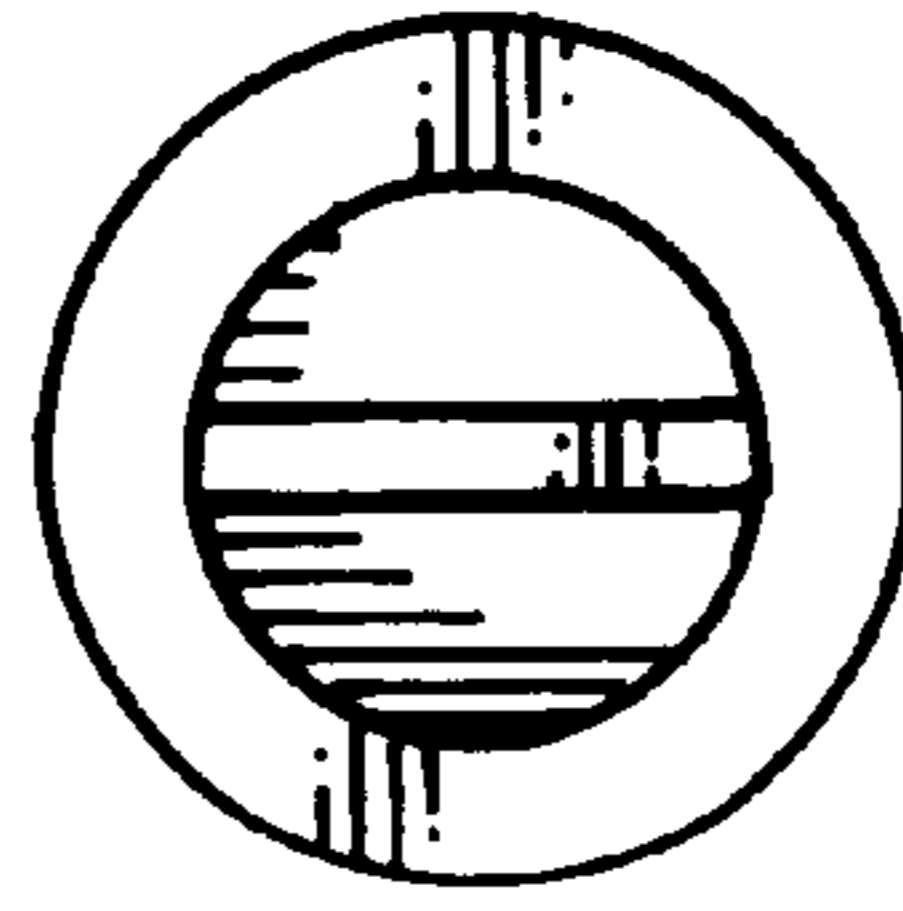


FIG. 4