



US00D469134S

(12) **United States Design Patent**  
**Manville**

(10) **Patent No.:** **US D469,134 S**

(45) **Date of Patent:** **\*\* Jan. 21, 2003**

(54) **CRAFT KIT CONSTRUCTION COMPONENT  
- CAP WITH FACIAL FEATURES FOR A TOY**

(75) **Inventor:** **Richard B. Manville**, Los Angeles, CA  
(US)

(73) **Assignee:** **Mattel, Inc.**, El Segundo, CA (US)

(\*\*) **Term:** **14 Years**

5,472,365 A	12/1995	Engel	
5,647,181 A	7/1997	Hunts	
D384,787 S	* 10/1997	Sampogna	..... D2/866
5,681,201 A	10/1997	Choi	
D405,121 S	* 2/1999	Pardorf	..... D21/488
5,984,756 A	11/1999	Krog	
6,004,182 A	12/1999	Pasin	
6,231,416 B1	5/2001	Clever et al.	
6,257,948 B1	* 7/2001	Silva	..... 446/100

**OTHER PUBLICATIONS**

- Photo 290, Lego Classic Building toy.
- Photo 291–293, Discovery Toys Bright Builders toy.
- Photo 294, K'nex Jack Knife Big Rig Race Transport.
- Photos 295–296, Lego Jack Stone Copter Transport.
- Photos 297–298, T.C. Timber Animal Beads.
- Photos 299–300, Lego Team Transport building toy.
- Photo 301, Anatomics Dynamic building system.
- Photos 302–303, Creativity for Kids Funky Fab Door Curtain.
- Photo 304, Anatex Suction Cup Coaster.
- Photo 305, Construx Power Copters building system.
- Photo 306, Puff Beads bead set.
- Photo 307, Lisa Frank Bead Dreams bead set.
- Photo 308, Rexlace Plastic Craft Lacing.

(List continued on next page.)

(21) **Appl. No.:** **29/157,917**

(22) **Filed:** **Mar. 26, 2002**

(51) **LOC (7) Cl.** ..... **21-01**

(52) **U.S. Cl.** ..... **D21/658; D21/659**

(58) **Field of Search** ..... D21/658, 659,  
D21/660, 661, 577, 621–649, 594, 593,  
484, 487, 488, 490, 493, 498, 503, 502;  
D2/865, 866, 869, 870, 872, 873, 882;  
446/268, 337, 341, 321, 391, 392, 394,  
372, 97–101, 387; D11/160, 164; 2/173,  
195.1, 209.13, 423

(56) **References Cited**

**U.S. PATENT DOCUMENTS**

1,818,404 A	8/1931	Kaufman	
D162,965 S	* 4/1951	Krieger	..... D2/882
D169,968 S	* 7/1953	Feldman	..... D2/882
D195,580 S	* 7/1963	Stanton	..... D21/593
D201,248 S	* 6/1965	Vidal	..... D21/639
3,564,758 A	2/1971	Willis	
3,687,500 A	8/1972	Silvius	
3,827,177 A	8/1974	Wengel	
3,855,748 A	12/1974	Thomas	
4,124,958 A	11/1978	Chiche	
4,291,512 A	9/1981	Walton	
4,334,868 A	6/1982	Levinrad	
4,365,454 A	12/1982	Davis	
D277,727 S	2/1985	Klaric	
4,557,091 A	12/1985	Auer	
D285,463 S	9/1986	Davis	
4,789,370 A	12/1988	Ellefson	
5,061,219 A	10/1991	Glickman	
5,222,902 A	6/1993	Piersch	
5,470,139 A	11/1995	Hsiao	

*Primary Examiner*—Lucy Lieberman  
(74) *Attorney, Agent, or Firm*—Kolisch Hartwell, P.C.

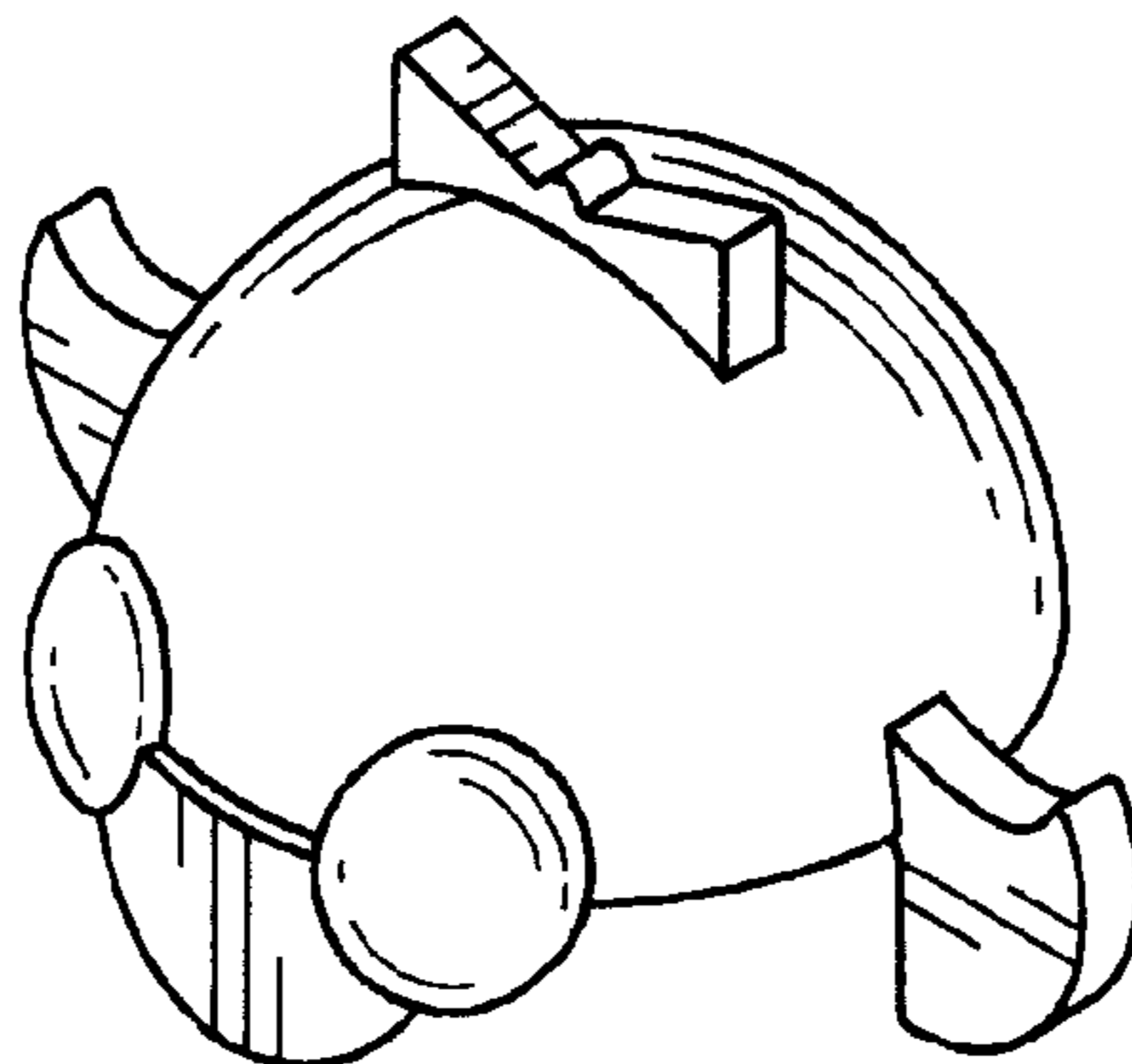
(57) **CLAIM**

The ornamental design for a craft kit construction component - cap with facial features for a toy, as shown and described.

**DESCRIPTION**

FIG. 1 is a perspective view of the invention;  
FIG. 2 is a left side view thereof;  
FIG. 3 is a front elevation thereof; and,  
FIG. 4 is a bottom plan view thereof.

**1 Claim, 1 Drawing Sheet**

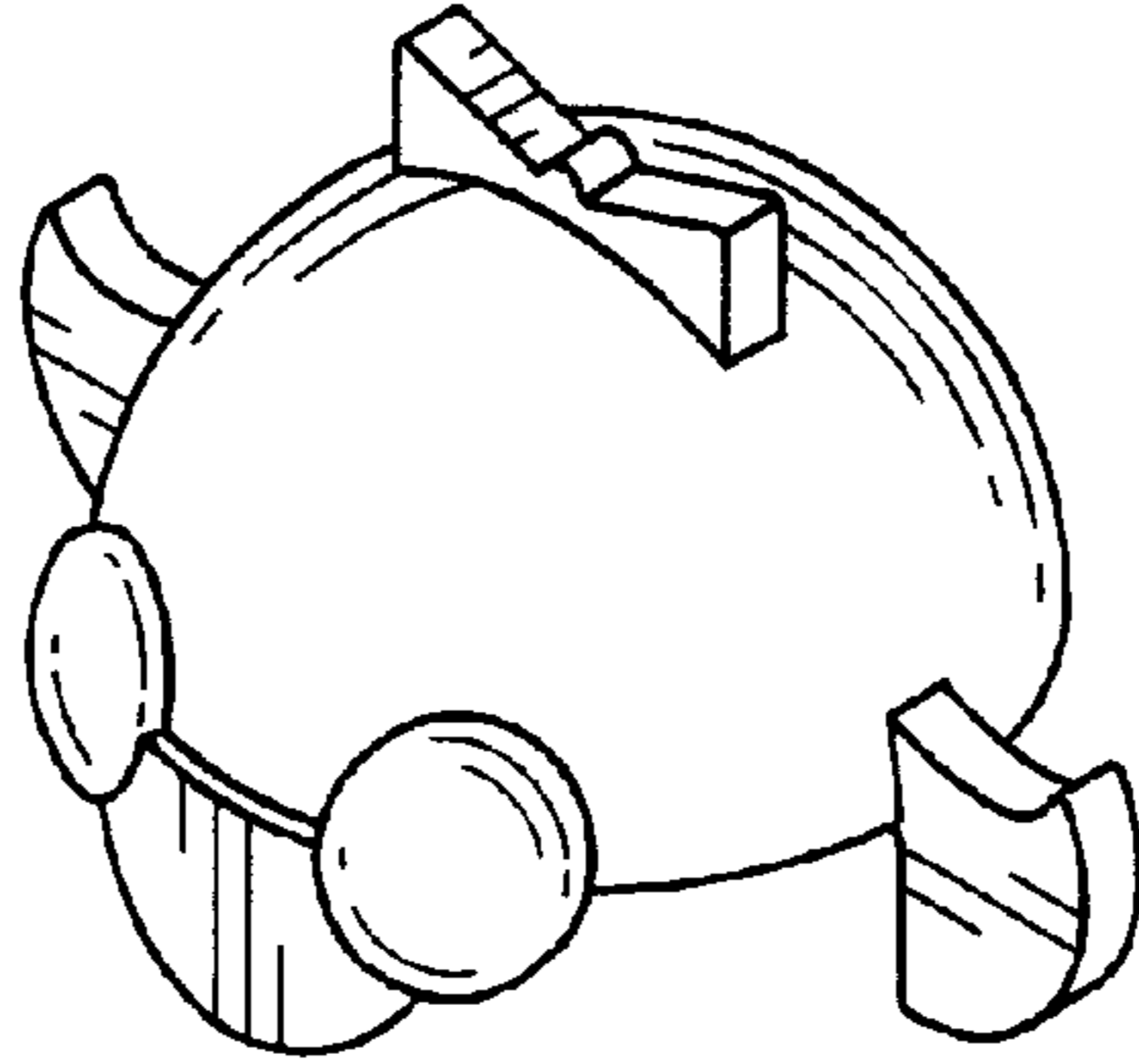


**OTHER PUBLICATIONS**

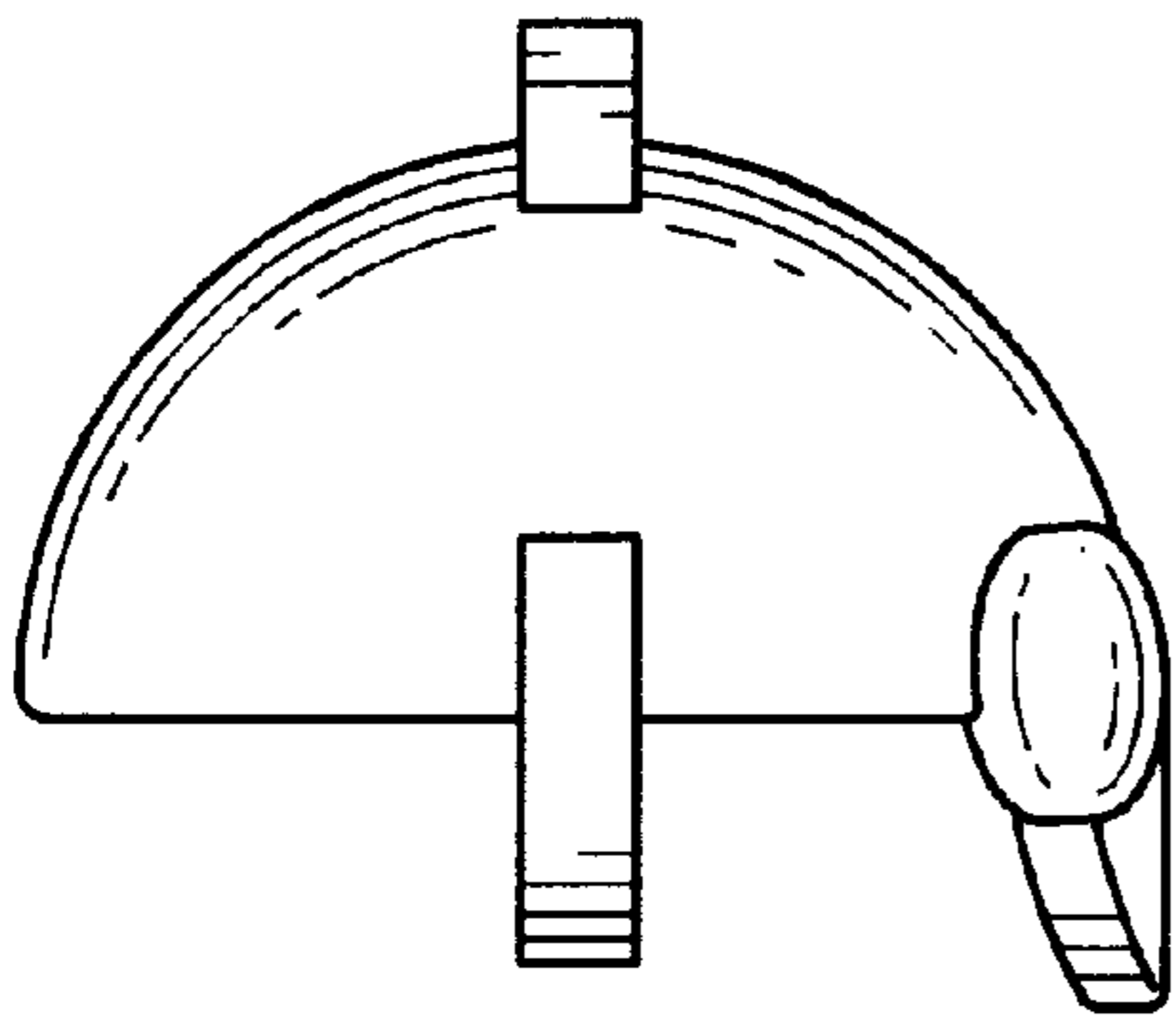
Photos 309–310, Lego Alien of the Red Planet building toy.  
Photo 311, Tinkertoy Construction Set.  
Photo 318, S'getti Strings Activity Pack.  
Photo 319, Lacing Set.  
Photo 320, Hama beads.  
Photo 321, Learning Resources Attributes Lacing Buttons set.

Photo 322, Creative Girls Hip Hemp bracelet set.  
Photos 325–326, Playmobil prison tower building set.  
Photo 327, Lego System building toy.  
Photos 328–329, K'nex First Building set.  
Photo 330, Creative Girls Power Beads set.  
Photos 331–335, Lego Duplo Wazo building set.  
Photos 400–404, Pablo 3-D Stick Game.

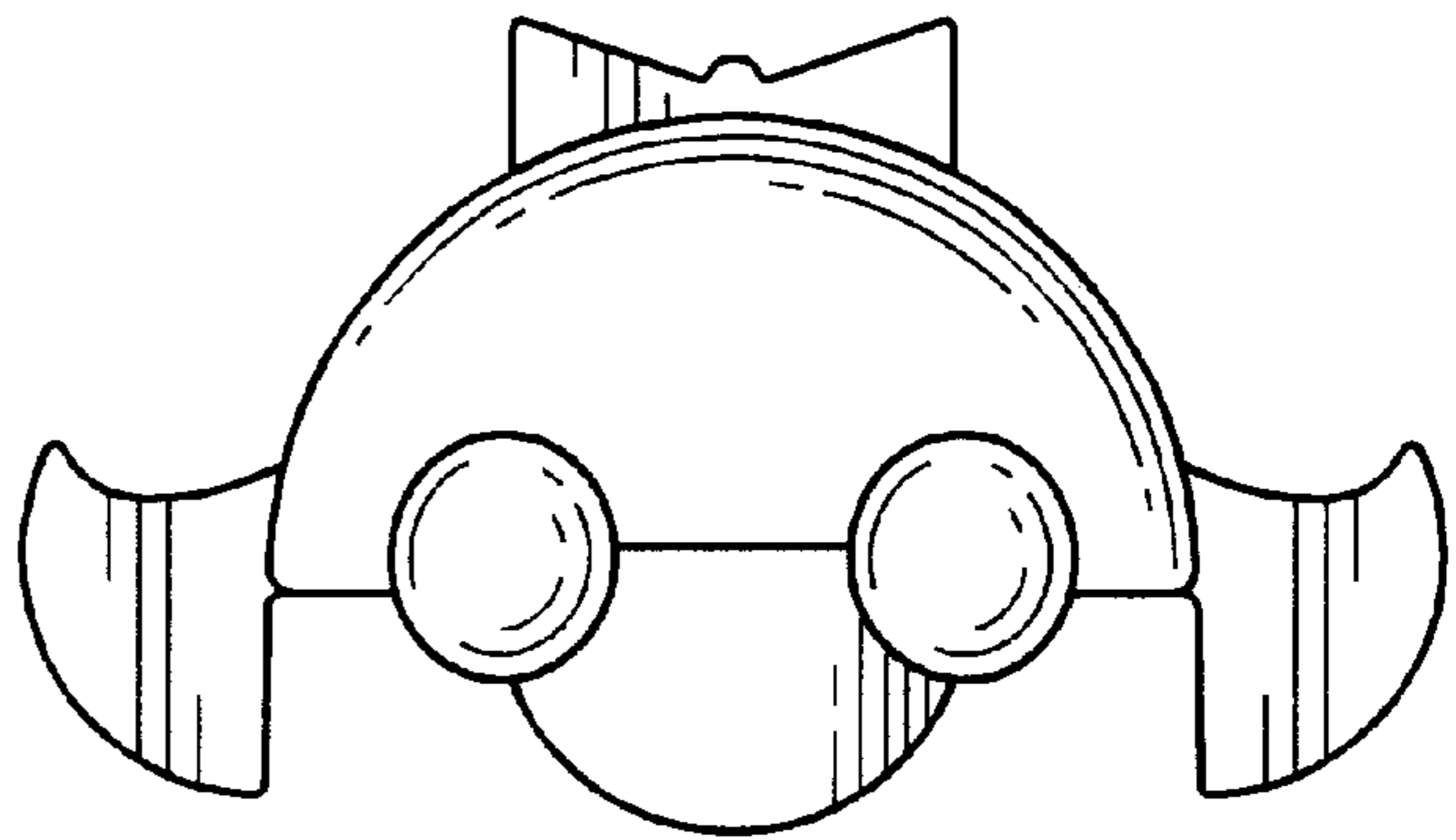
\* cited by examiner



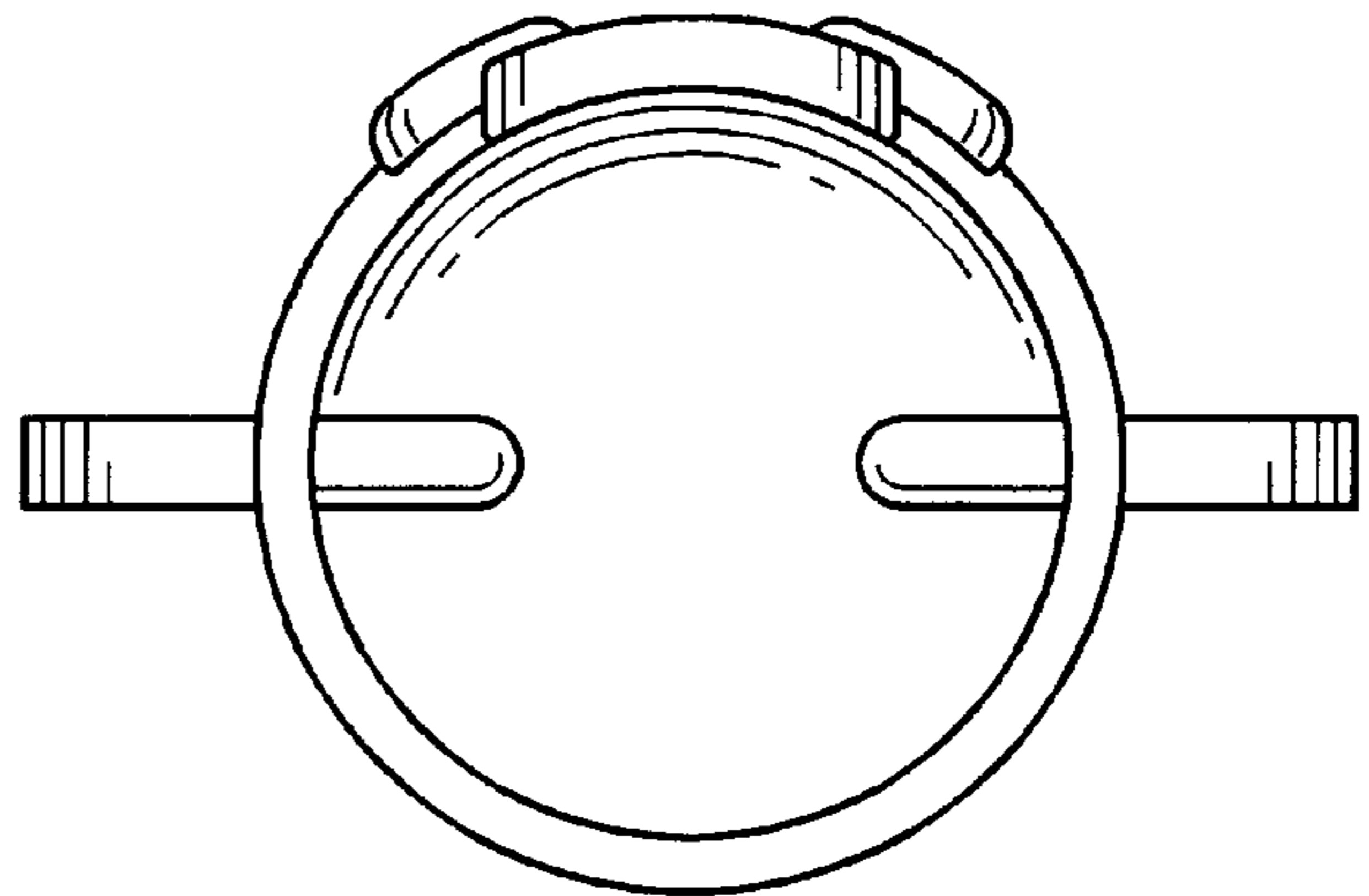
**FIG. 1**



**FIG. 2**



**FIG. 3**



**FIG. 4**