



US00D469127S

(12) **United States Design Patent**
Schwarzli

(10) **Patent No.:** **US D469,127 S**

(45) **Date of Patent:** **** *Jan. 21, 2003**

(54) **VENDING MACHINE ISLAND**
(75) Inventor: **Josef W. Schwarzli**, Stouffville (CA)
(73) Assignee: **Beaver Machine Corporation**,
Newmarket (CA)
(*) Notice: This patent is subject to a terminal disclaimer.
(**) Term: **14 Years**

5,131,519 A * 7/1992 Ra 194/350
D354,990 S * 1/1995 Shibasaki et al. D20/7
D357,503 S * 4/1995 Perry et al. D20/1
5,647,471 A * 7/1997 Ra 194/350
D403,358 S * 12/1998 Schwarzli D20/8
D429,501 S 8/2000 Schwarzli D20/8
D434,077 S 11/2000 Schwarzli D20/7
D444,180 S * 6/2001 Vargas D20/7
D453,944 S * 2/2002 Schwarzli D20/8

* cited by examiner

Primary Examiner—Robert M. Spear
(74) *Attorney, Agent, or Firm*—Dimock Stratton Clarizio
LLP; Mark B. Eisen

(21) Appl. No.: **29/150,051**
(22) Filed: **Nov. 2, 2001**

(51) **LOC (7) Cl.** **20-01**
(52) **U.S. Cl.** **D20/7**
(58) **Field of Search** D20/1-9; 194/245,
194/247, 255, 258, 281, 350; 221/155,
199, 208, 240, 245

(57) **CLAIM**

The ornamental design for a vending machine island, as shown and described.

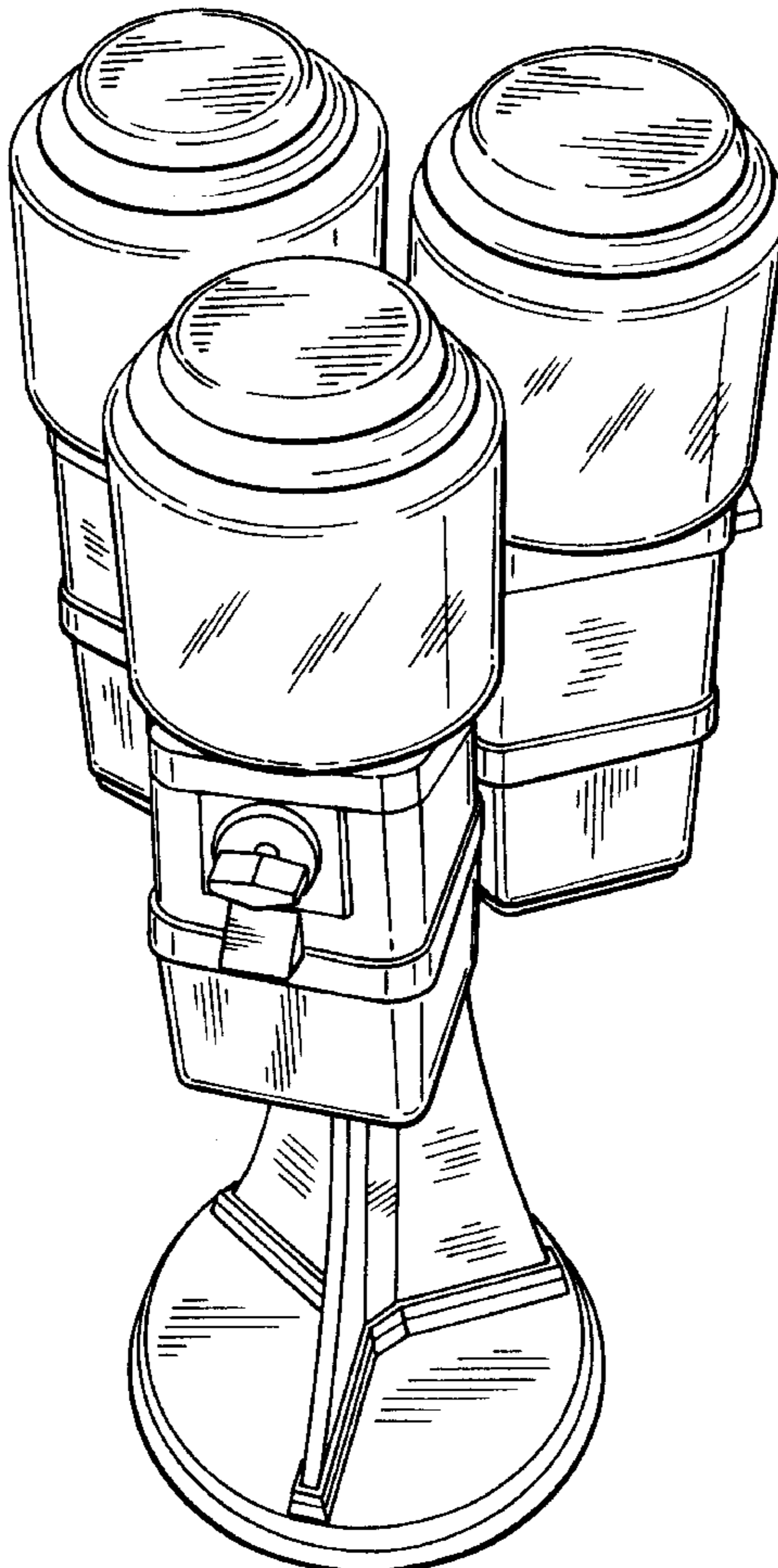
DESCRIPTION

FIG. 1 is perspective view of the vending machine island;
FIG. 2 is a front perspective view thereof;
FIG. 3 is a rear perspective view thereof; and,
FIG. 4 is a top perspective view thereof.

(56) **References Cited**
U.S. PATENT DOCUMENTS

D176,819 S * 1/1956 Rodwick D20/7
3,390,753 A * 7/1968 Bolen et al. 194/350

1 Claim, 3 Drawing Sheets



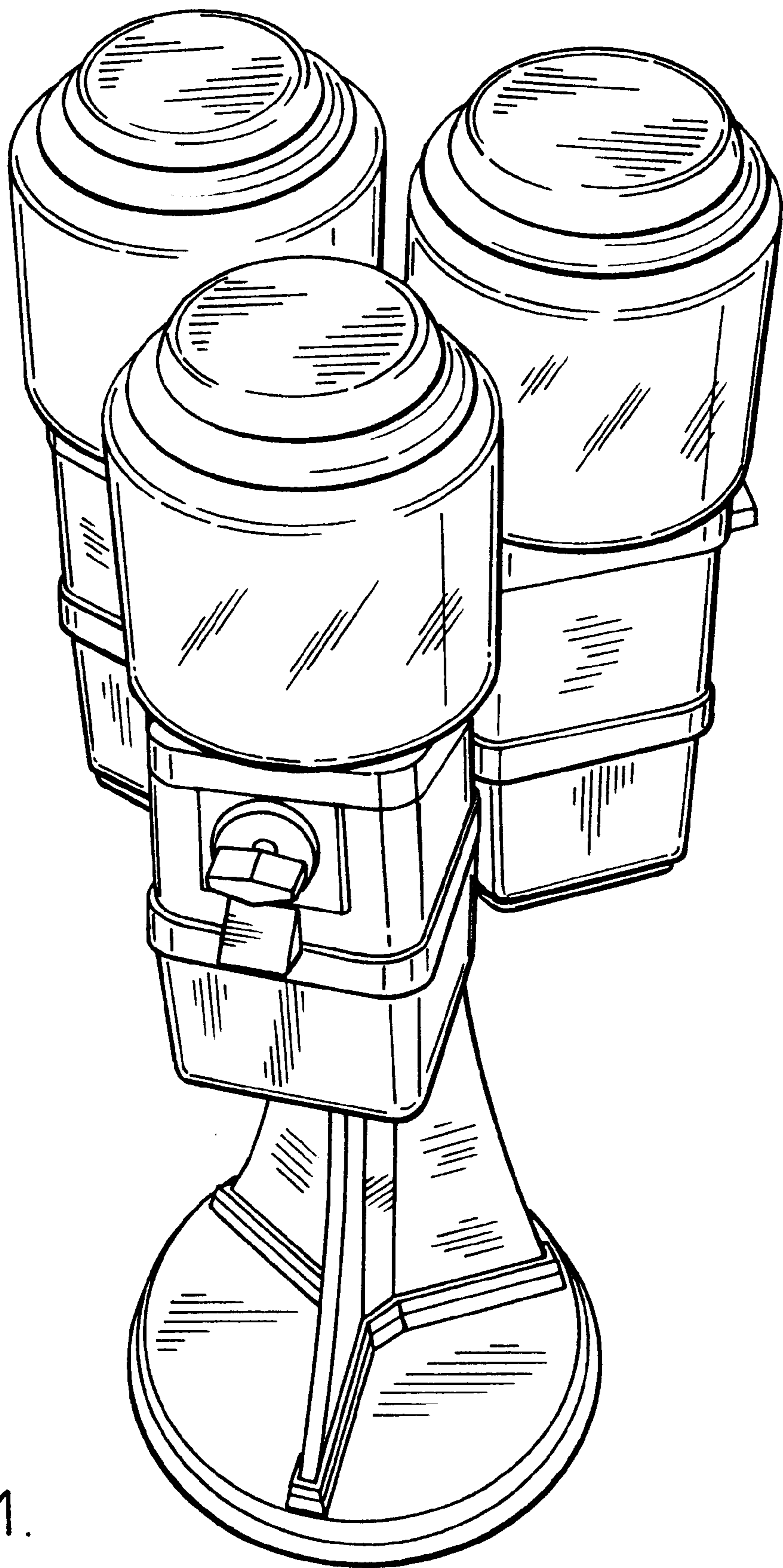


FIG. 1.

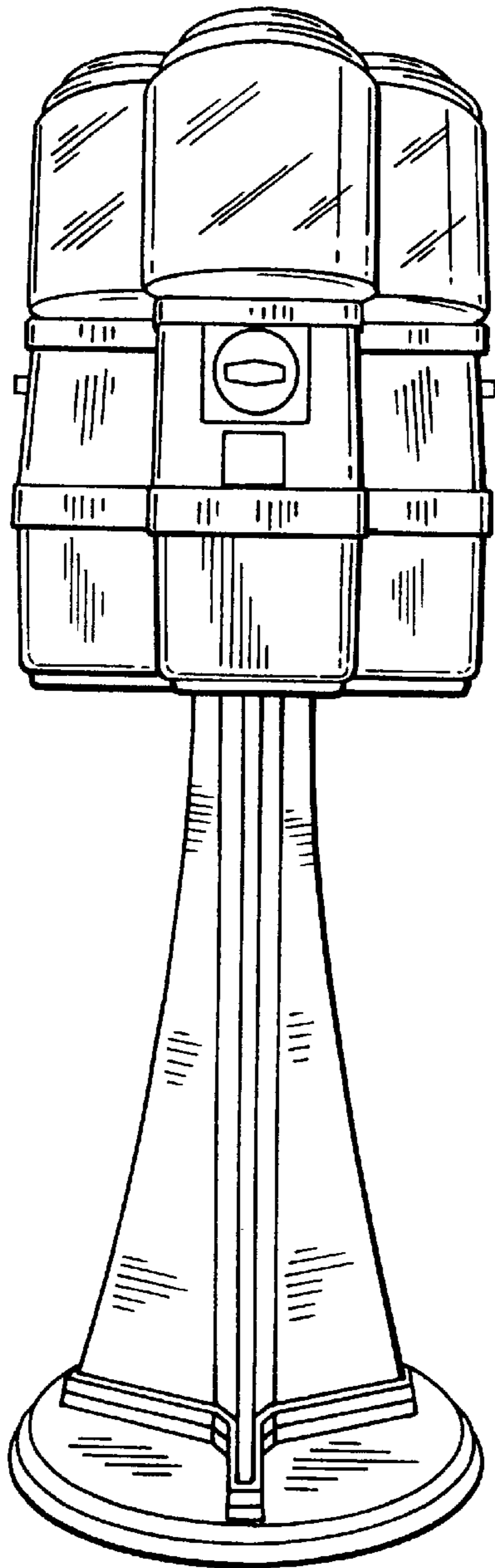


FIG. 2.

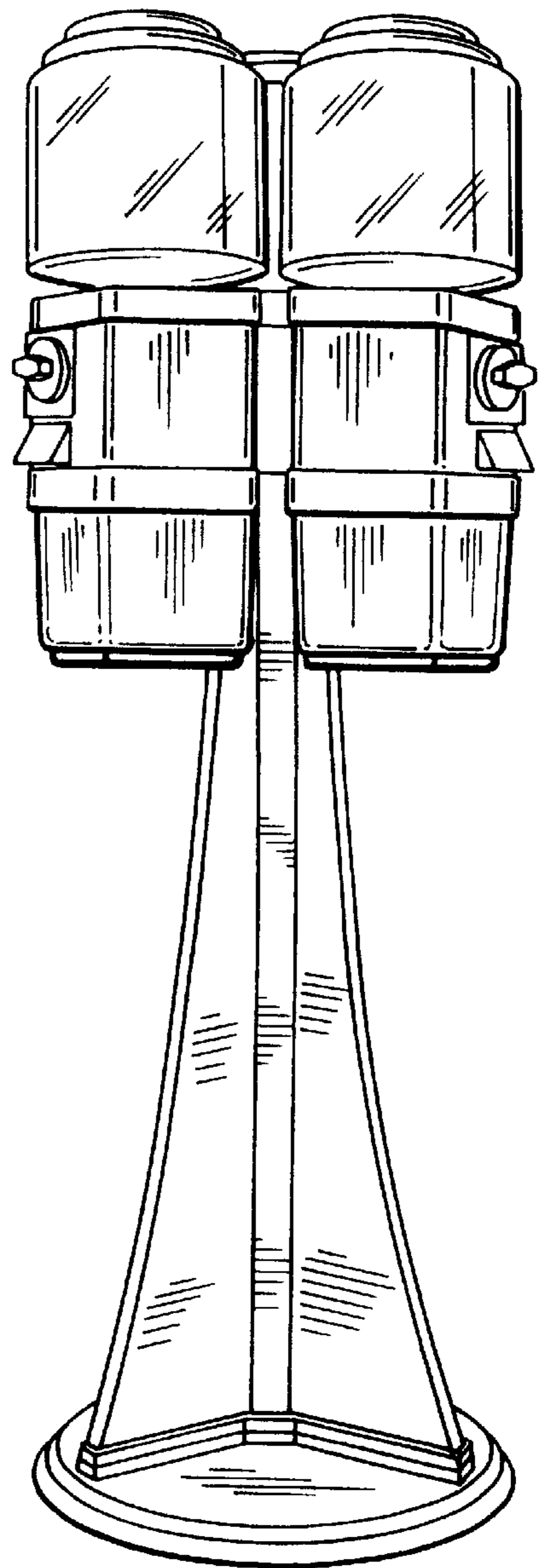


FIG. 3.

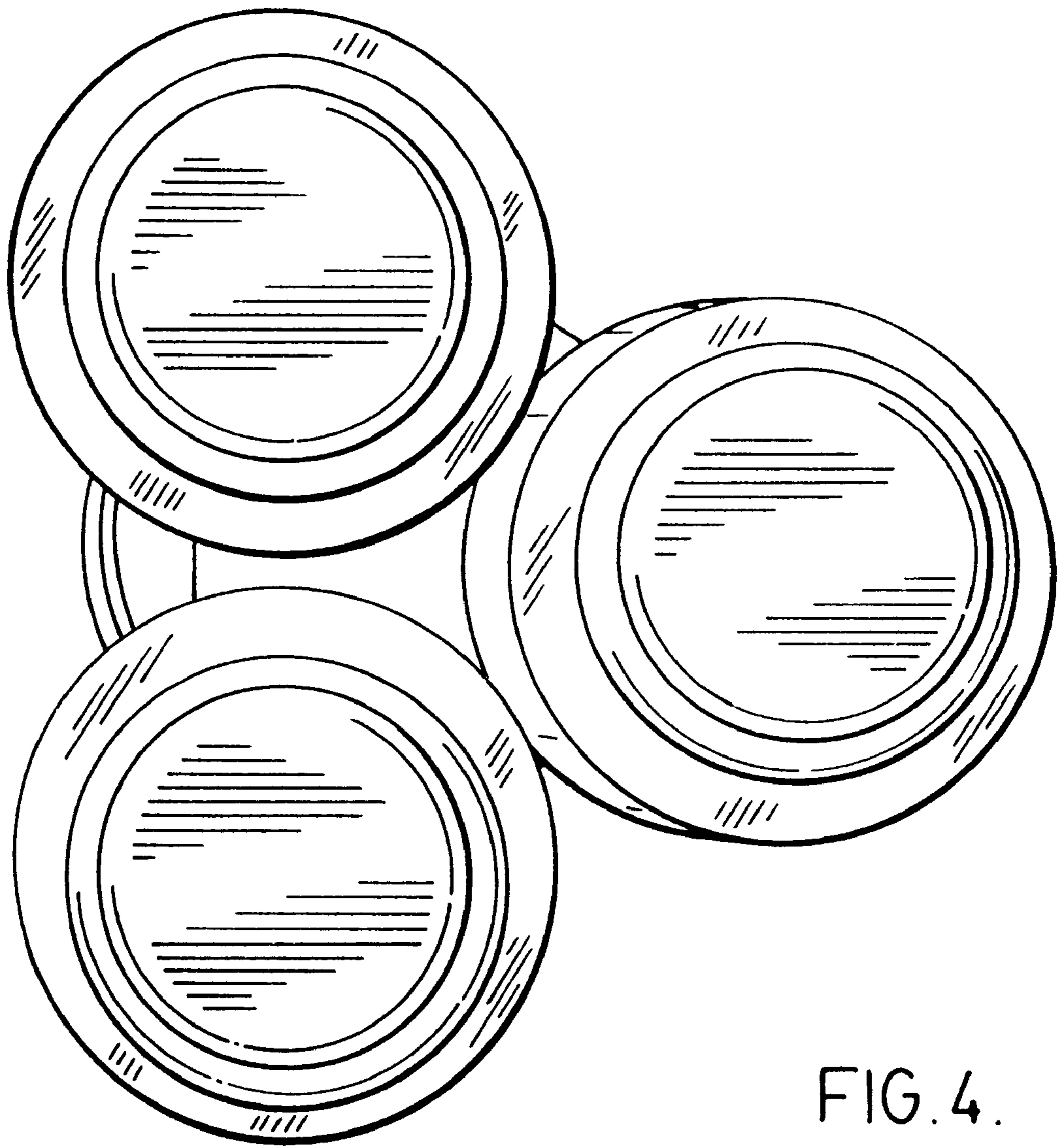


FIG. 4.