



US00D469126S

(12) **United States Design Patent**
Joss et al.

(10) **Patent No.:** **US D469,126 S**
(45) **Date of Patent:** **** Jan. 21, 2003**

(54) **DESK ORGANIZER**

(75) Inventors: **Michael Joss**, Chicago, IL (US); **Kevin Short**, La Grange, IL (US); **Owen A. Slater**, Chicago, IL (US)

(73) Assignee: **Thermos L.L.C.**, Schaumburg, IL (US)

(**) Term: **14 Years**

(21) Appl. No.: **29/161,402**

(22) Filed: **May 29, 2002**

(51) **LOC (7) Cl.** **19-06**

(52) **U.S. Cl.** **D19/75; D19/78**

(58) **Field of Search** D19/35, 36, 65,
D19/75, 76, 77, 78, 79, 81-85, 95, 99,
100; 211/69.1-69.9, 10, 11, 50, 55; 206/214,
224, 371

(56) **References Cited**

U.S. PATENT DOCUMENTS

D166,075 S	*	3/1952	Glaberson	D19/77
D209,882 S	*	1/1968	Andersen	D19/85
D252,935 S	*	9/1979	Henkels	D19/77
4,406,368 A	*	9/1983	Hermes	206/371
D333,841 S	*	3/1993	Henricksen	D19/78
D373,794 S	*	9/1996	Ming	D19/75
D436,377 S	*	1/2001	Young et al.	D19/78

OTHER PUBLICATIONS

Guernsey Office Products Catalog, ©1999, p. 507, see circled organizer, item D, left center.*

* cited by examiner

Primary Examiner—Martie K. Holtje

(74) *Attorney, Agent, or Firm*—Wood, Phillips, Katz, Clark & Mortimer

(57) **CLAIM**

The ornamental design of a desk organizer, as shown and described.

DESCRIPTION

FIG. 1 is a perspective view of our desk organizer design taken from the upper right front;

FIG. 2 is a perspective view of our desk organizer design taken from the lower left rear;

FIG. 3 is a plan view of our desk organizer design;

FIG. 4 is a right side elevation of our desk organizer design;

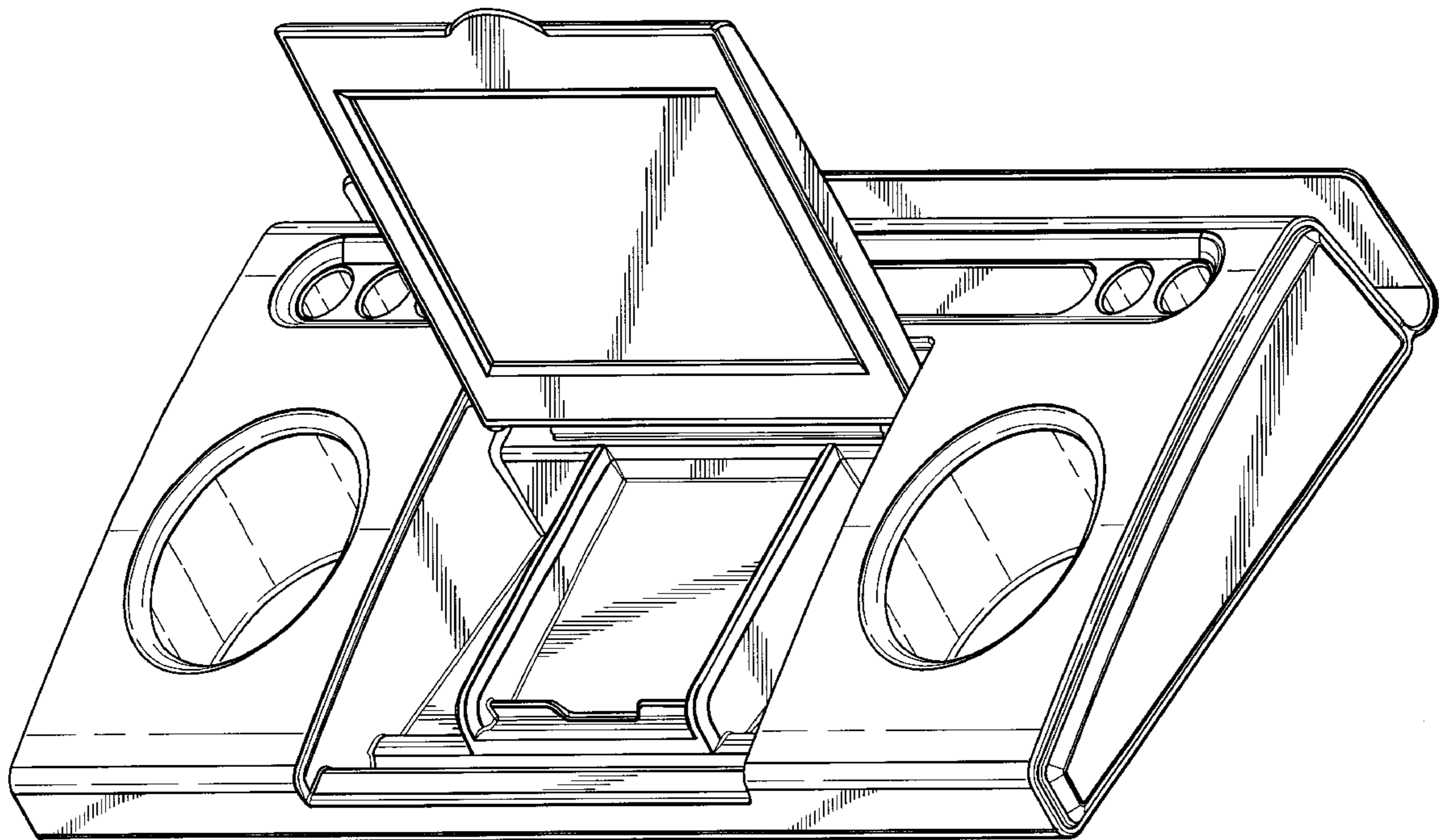
FIG. 5 is a left side elevation of our desk organizer design;

FIG. 6 is a front elevation of our desk organizer design; and,

FIG. 7 is a rear elevation of our desk organizer design.

It is to be understood that the bottom of our desk organizer is plain and unornamented.

1 Claim, 4 Drawing Sheets



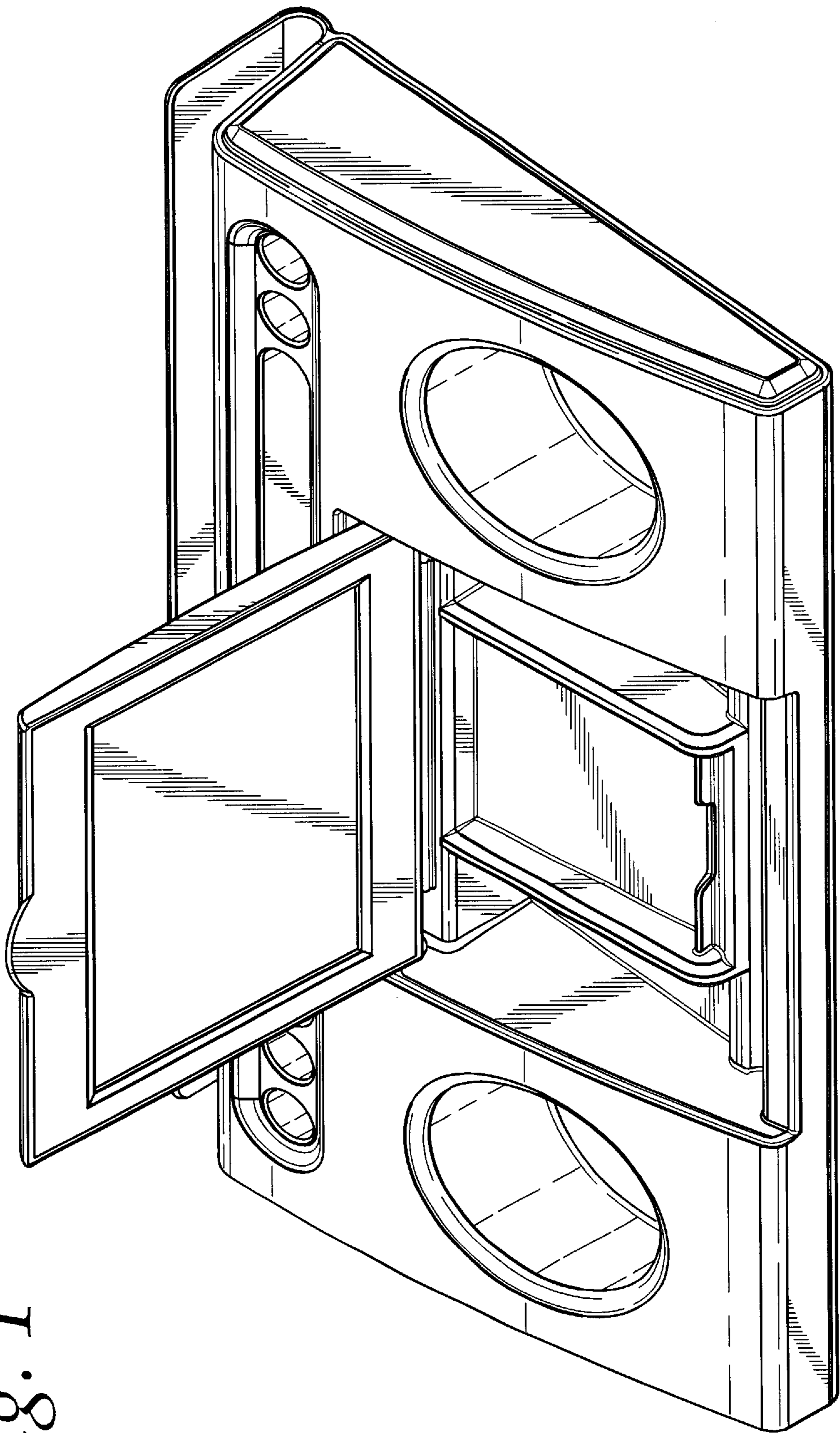


Fig. 1

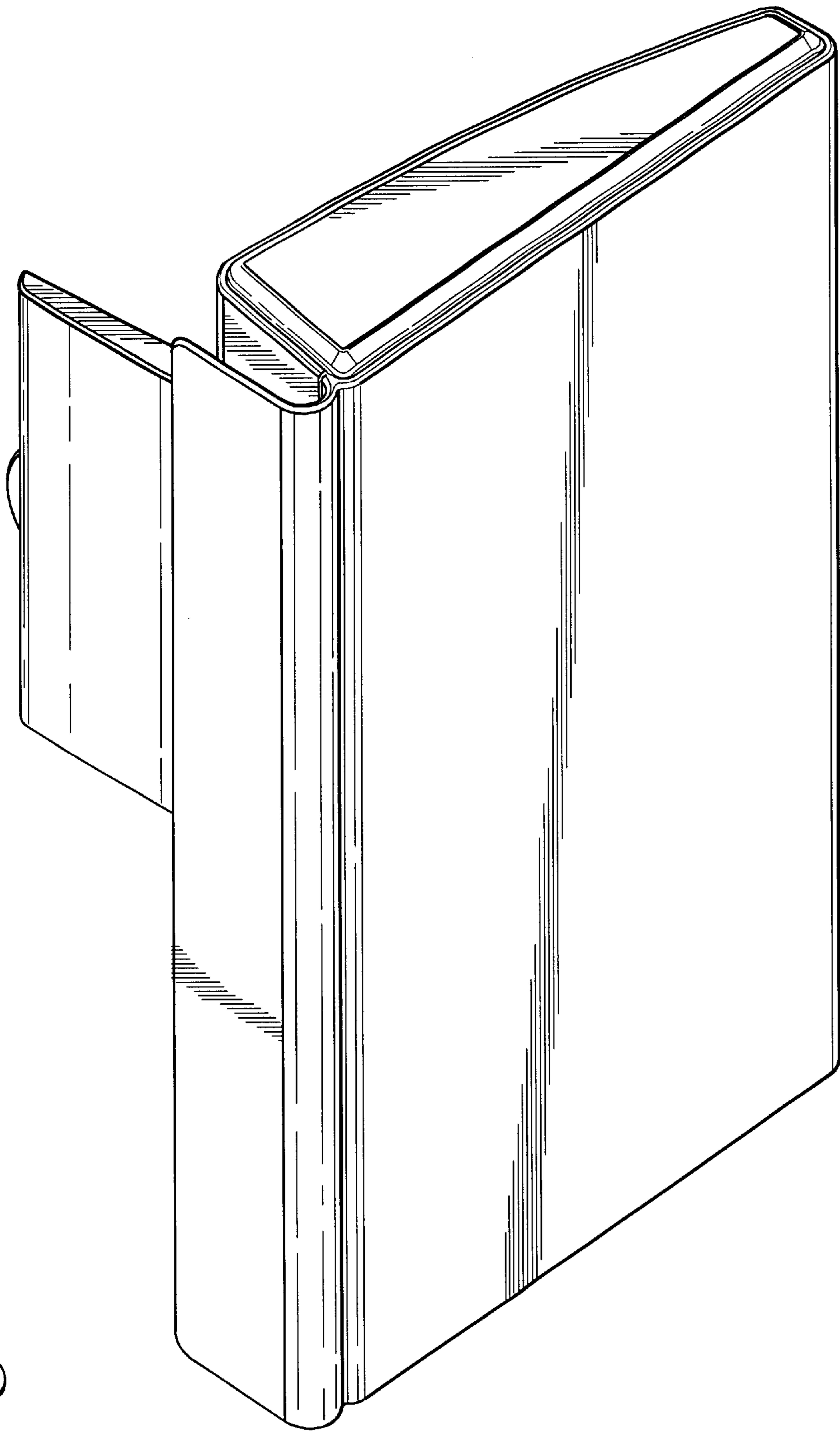


Fig. 2

Fig. 3

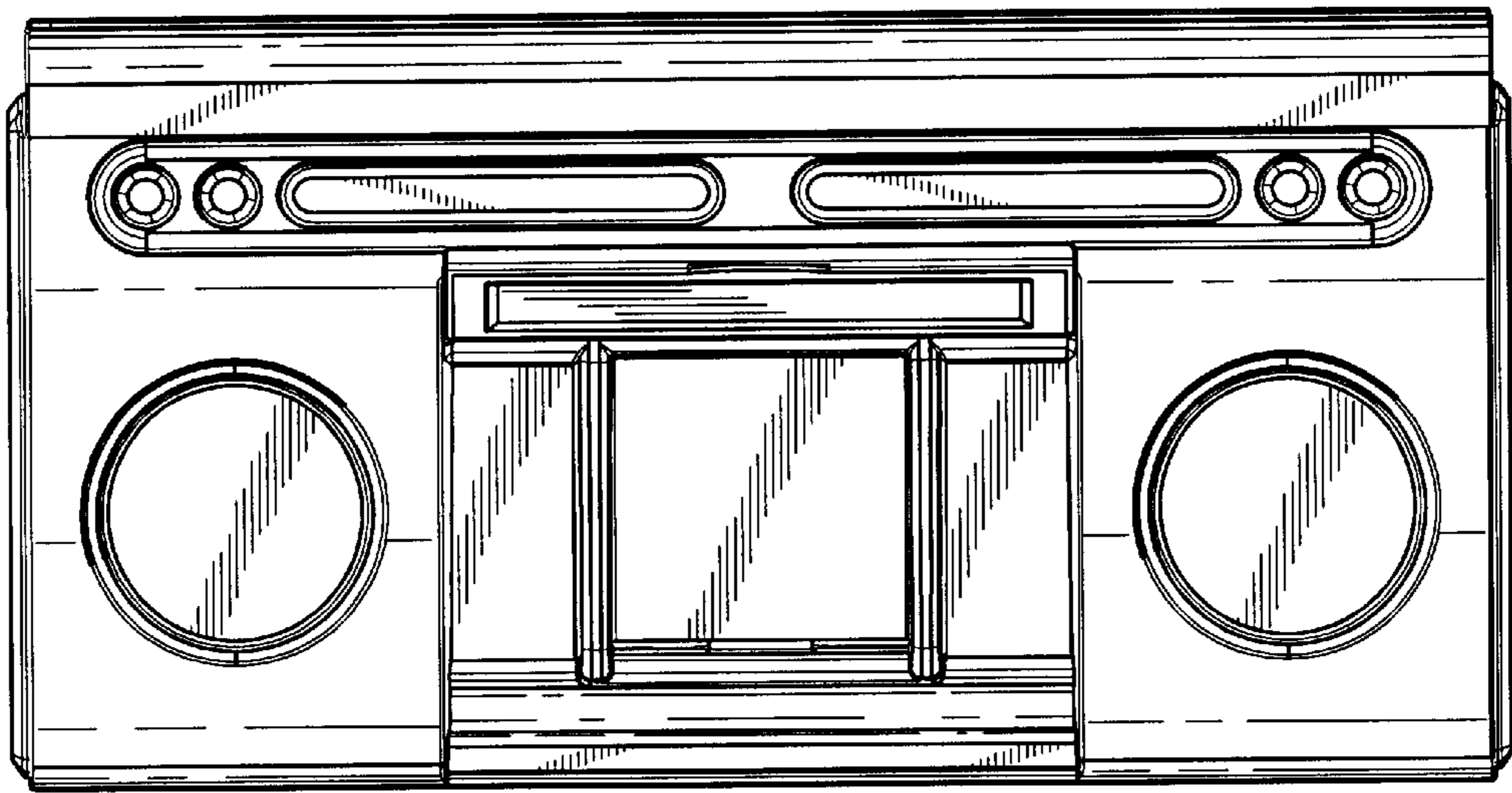


Fig. 4

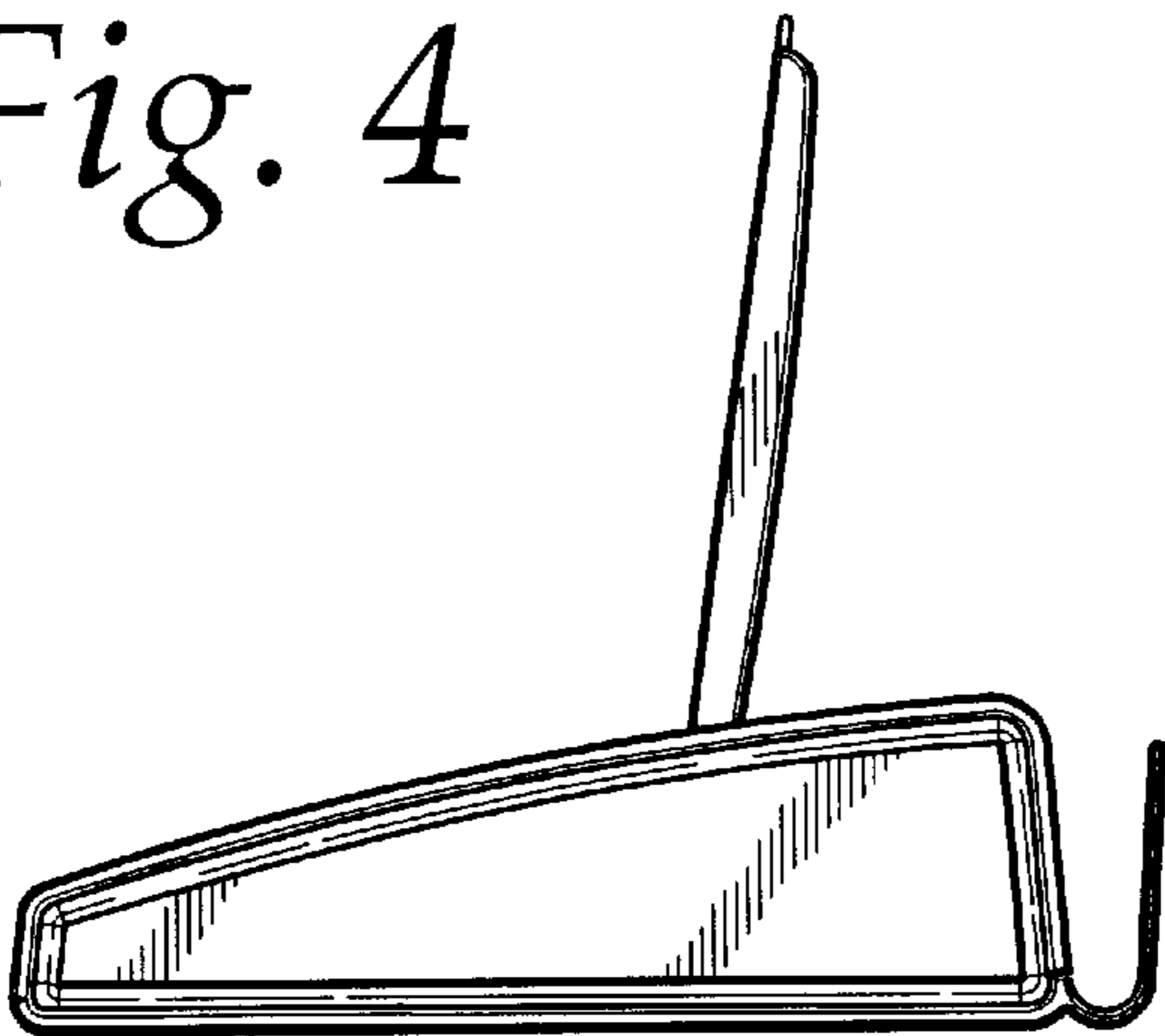


Fig. 5

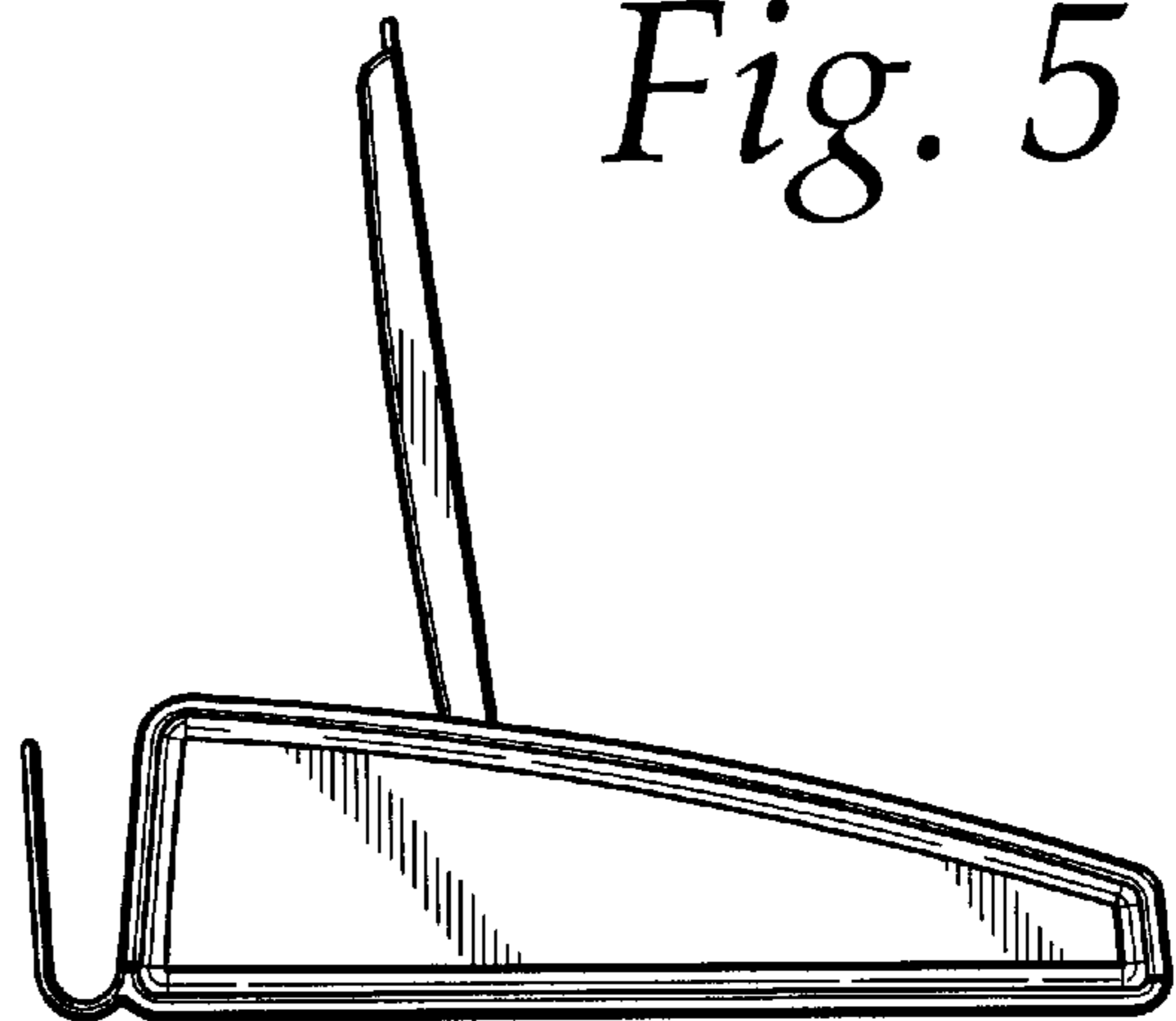


Fig. 6

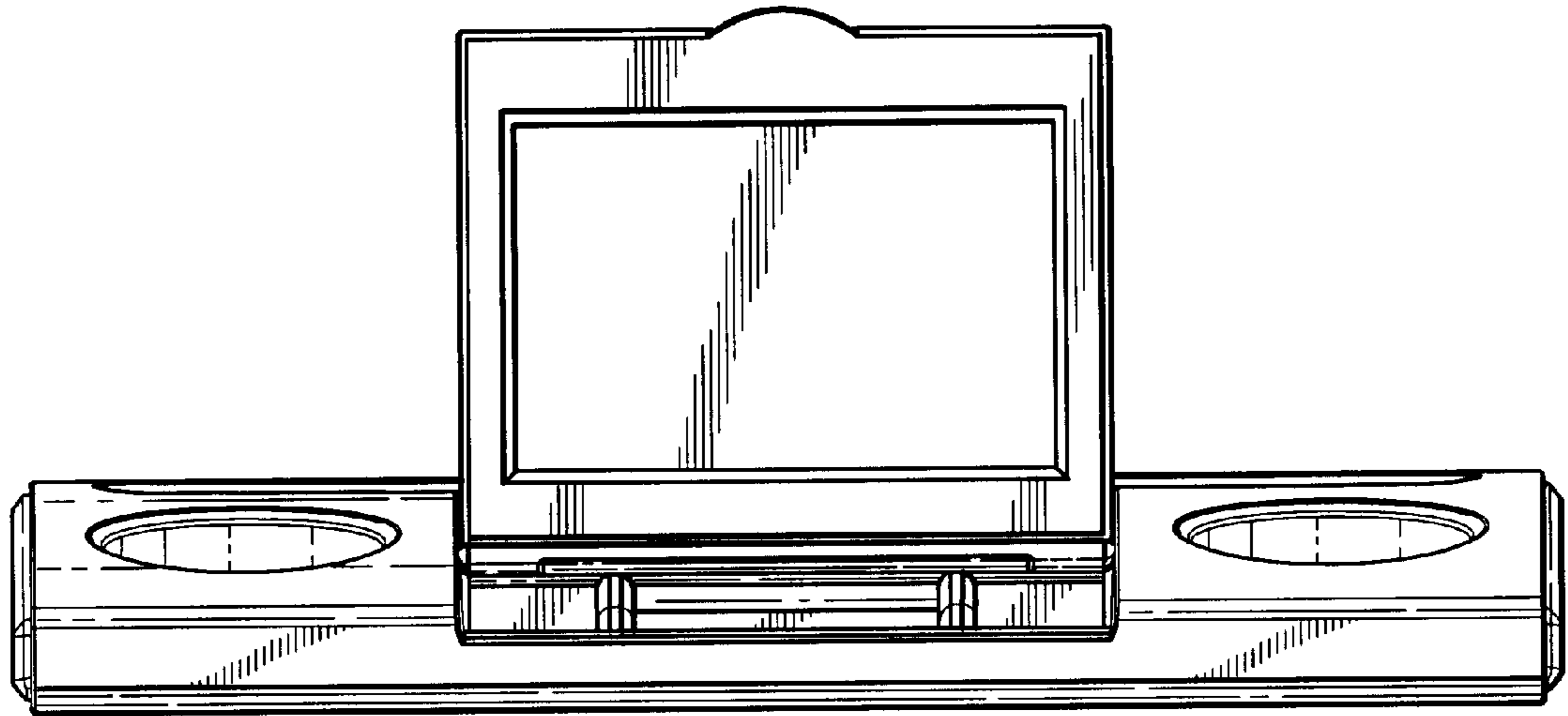


Fig. 7

