



US00D469121S

(12) **United States Design Patent**
Manzo

(10) **Patent No.:** **US D469,121 S**

(45) **Date of Patent:** **** Jan. 21, 2003**

(54) **READING GUIDE**

(76) Inventor: **Dayle Manzo**, 612 8th Ave., New Hyde Park, NY (US) 11040-5406

(**) Term: **14 Years**

(21) Appl. No.: **29/156,607**

(22) Filed: **Mar. 5, 2002**

(51) **LOC (7) Cl.** **19-99**

(52) **U.S. Cl.** **D19/34; D19/37**

(58) **Field of Search** **D19/34, 37, 65, D19/99, 100; 281/42, 45, 51; 116/234, 235, 236, 237, 238, 239, 240; 451/445**

(56) **References Cited**

U.S. PATENT DOCUMENTS

651,894 A *	6/1900	Shermer	451/445
1,353,279 A *	9/1920	Schulthess	116/240
1,456,670 A *	5/1923	Brown	281/42 X
1,607,544 A *	11/1926	McCready	116/240
1,966,340 A *	7/1934	Forbringer et al.	116/235
1,969,603 A *	8/1934	Gibson	451/445
2,585,421 A *	2/1952	Armand	116/240
D170,467 S *	9/1953	Kremin	D19/34
2,699,748 A *	1/1955	Crawford	116/236
2,804,538 A	8/1957	Leone		
3,289,301 A	12/1966	Hanson		

4,196,529 A	4/1980	Esbensen		
4,431,214 A	2/1984	Buffington		
4,580,347 A	4/1986	McKnight		
4,728,294 A	3/1988	Bredehorn		
4,898,115 A *	2/1990	Bowlay-Williams	116/236
D362,016 S *	9/1995	Faulkingham	D19/34

* cited by examiner

Primary Examiner—Martie K. Holtje

(74) *Attorney, Agent, or Firm*—Donald R. Schoonover

(57) **CLAIM**

The ornamental design for a reading guide, as shown and described.

DESCRIPTION

FIG. 1 is a perspective view of a reading guide embodying the design of the present invention.

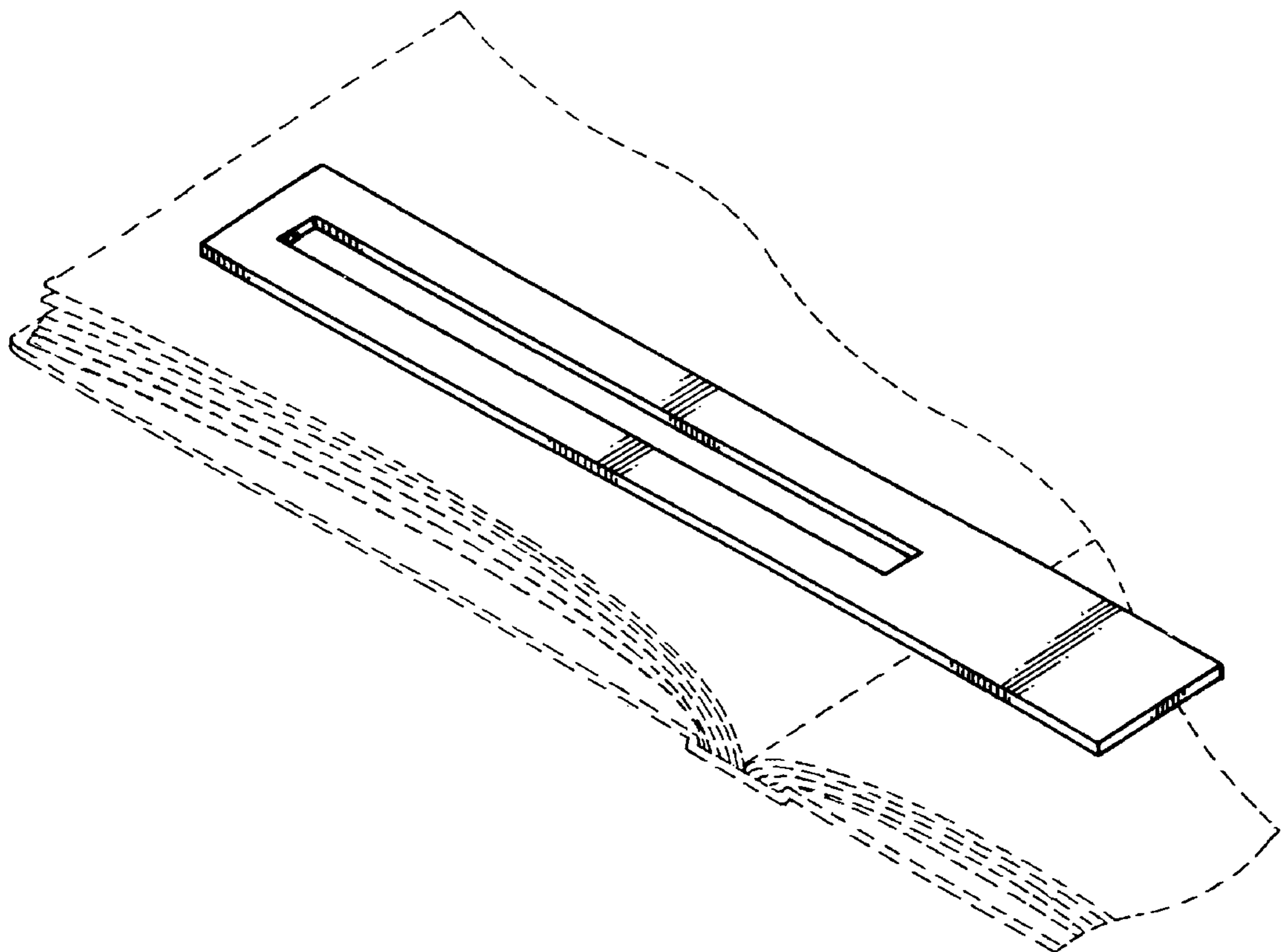
FIG. 2 is a top plan view thereof, the bottom plan view being identical thereto;

FIG. 3 is a side elevational view thereof, the elevational view of the opposing side being identical thereto; and,

FIG. 4 is an end elevational view thereof, the elevational view of the opposing end being identical thereto.

The broken line showing of environmental structure is for illustrative purposes only and forms no part of the claimed design.

1 Claim, 2 Drawing Sheets



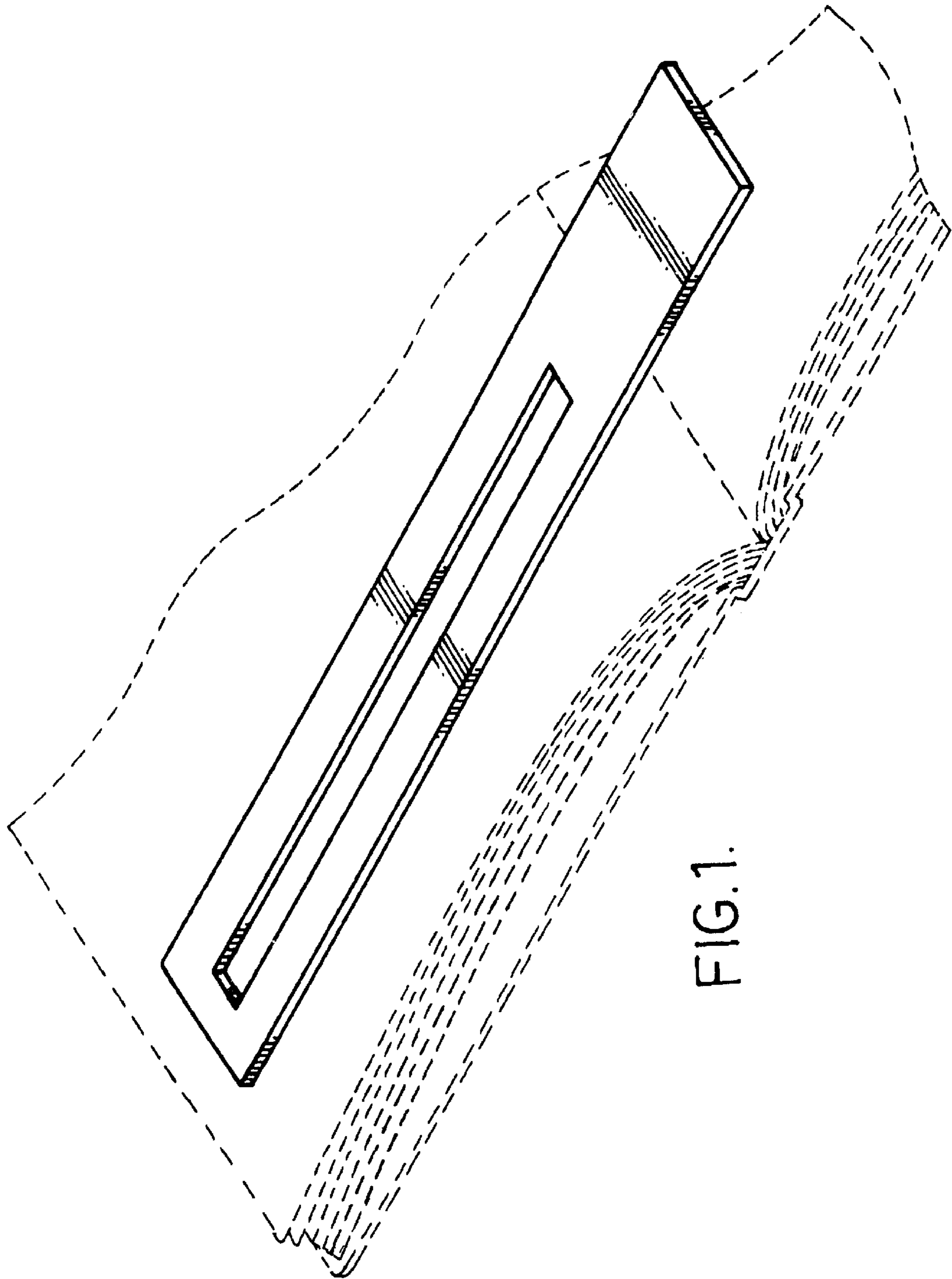


FIG. 1.

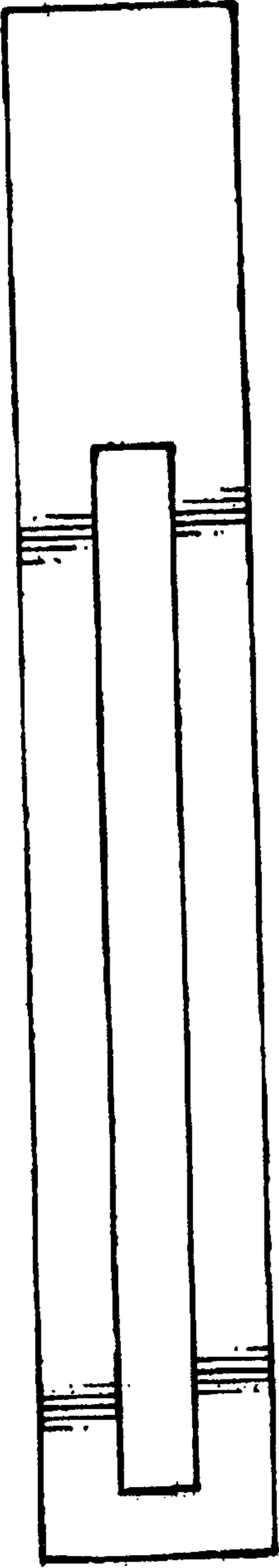


FIG. 2.



FIG. 3.



FIG. 4.