



US00D469119S

(12) **United States Design Patent**
Shiba

(10) **Patent No.:** **US D469,119 S**

(45) **Date of Patent:** **** Jan. 21, 2003**

(54) **TONER CARTRIDGE**

D459,388 S * 6/2002 Irie et al. D18/43

(75) Inventor: **Hiroki Shiba**, Iwatsuki (JP)

* cited by examiner

(73) Assignee: **Fuji Xerox Co., Ltd.**, Tokyo (JP)

Primary Examiner—Caron D. Veynar

(**) Term: **14 Years**

(74) *Attorney, Agent, or Firm*—Oliff & Berridge, PLC

(21) Appl. No.: **29/154,918**

(57) **CLAIM**

(22) Filed: **Feb. 4, 2002**

The ornamental design for a toner cartridge, as shown and described.

(30) **Foreign Application Priority Data**

DESCRIPTION

Oct. 22, 2001 (JP) 2001-030823

FIG. 1 is a perspective view of the top, front and right side of a toner cartridge showing my new design;

(51) **LOC (7) Cl.** **16-03**

FIG. 2 is a perspective view of the top, front and left side thereof;

(52) **U.S. Cl.** **D18/43**

FIG. 3 is a front view thereof;

(58) **Field of Search** D18/40, 43, 56;
399/24-28, 262; 222/DIG. 1

FIG. 4 is a rear view thereof;

FIG. 5 is a top plan view thereof;

FIG. 6 is a bottom view thereof;

FIG. 7 is a right side view thereof; and,

FIG. 8 is a left side view thereof.

(56) **References Cited**

U.S. PATENT DOCUMENTS

D398,634 S * 9/1998 Katayama et al. D18/43

D408,845 S * 4/1999 Harumoto D18/43

1 Claim, 5 Drawing Sheets

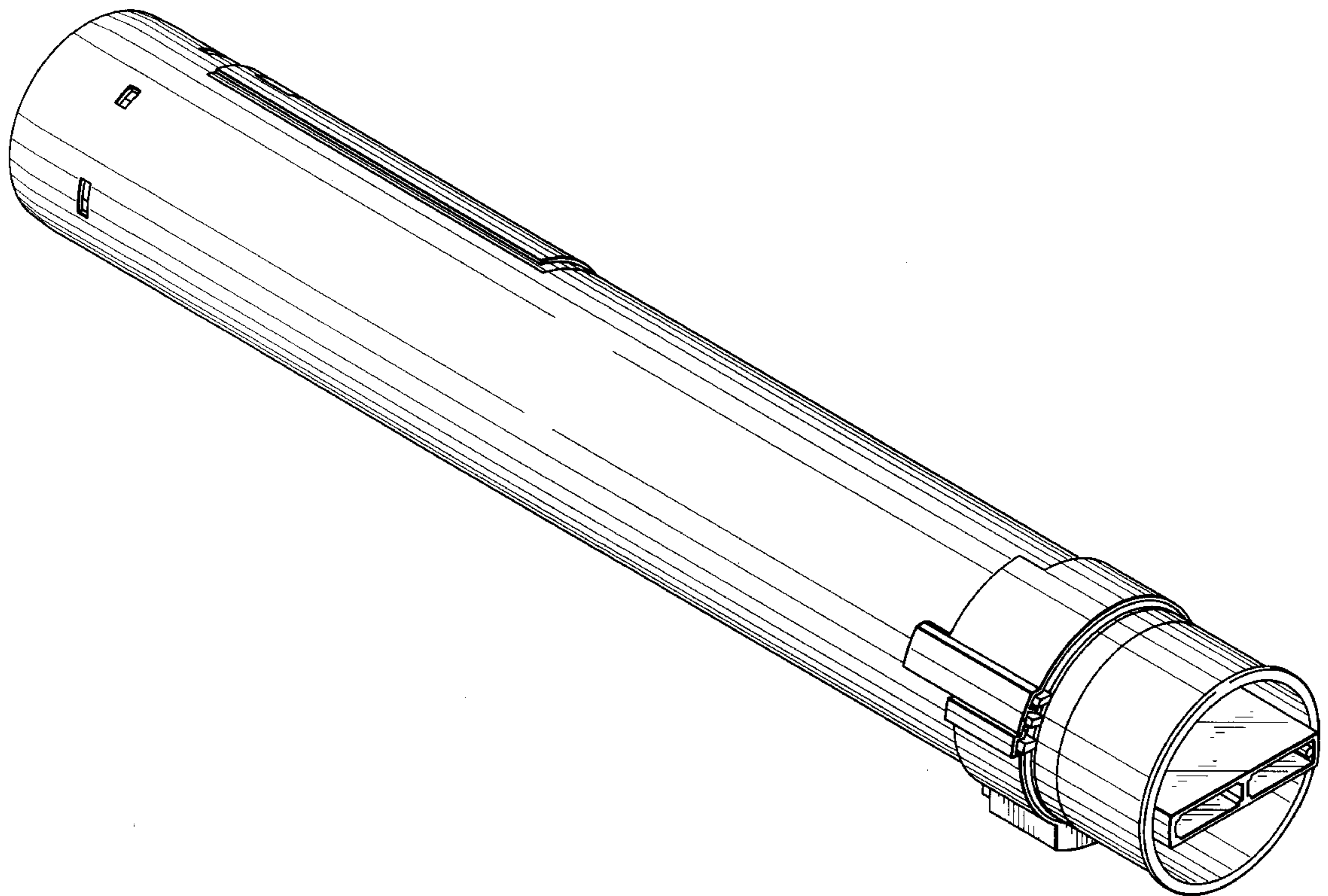
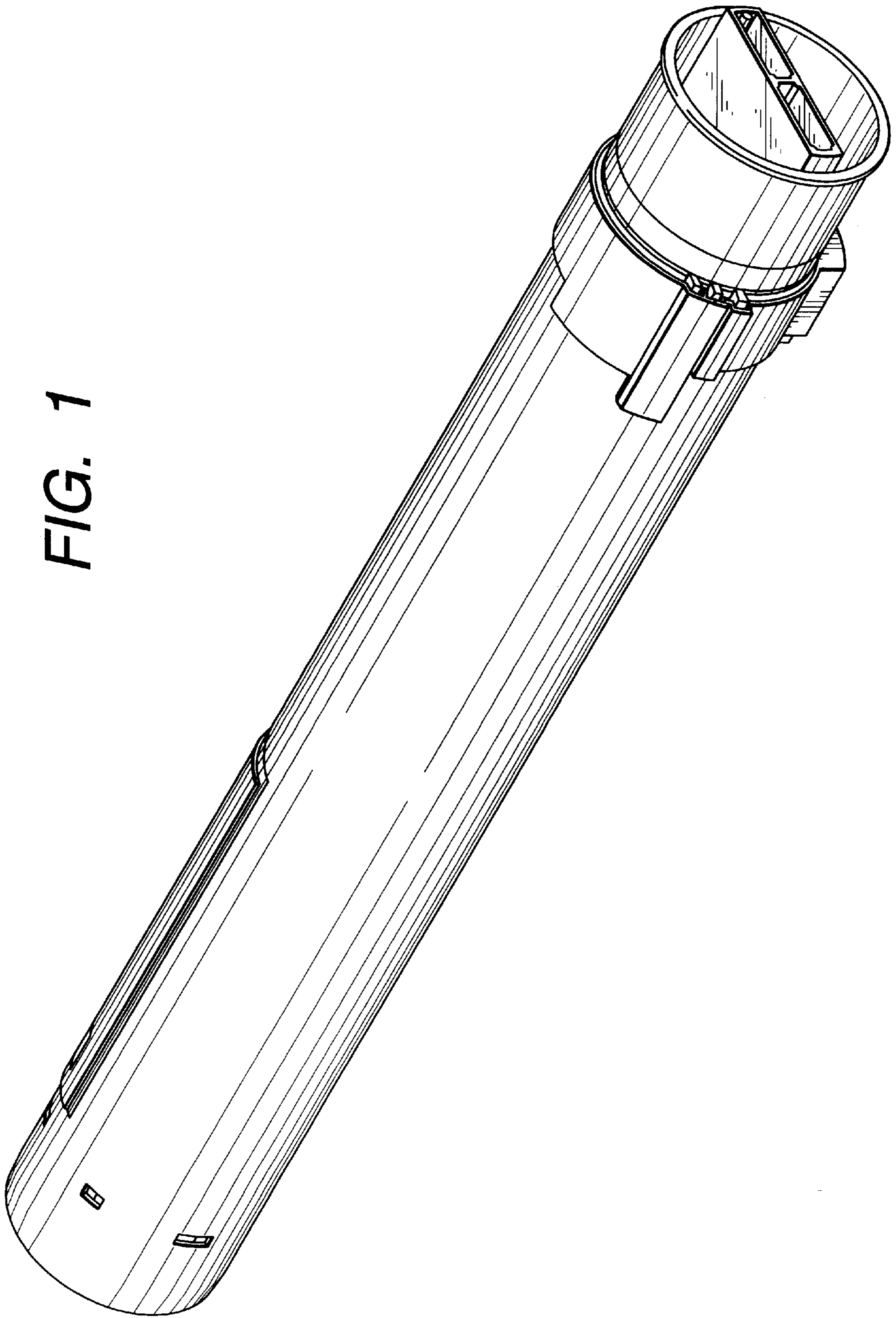


FIG. 1



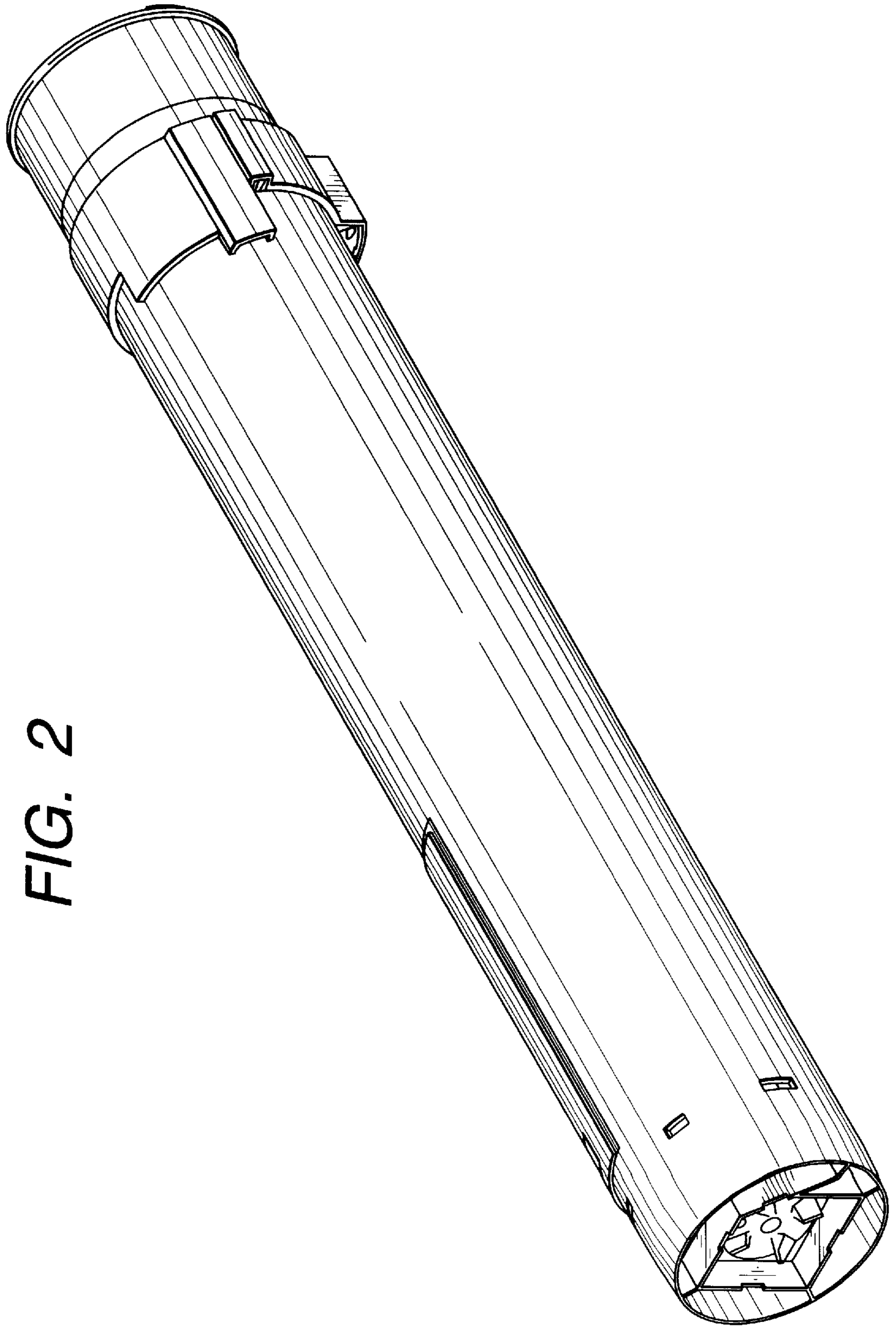


FIG. 2

FIG. 3

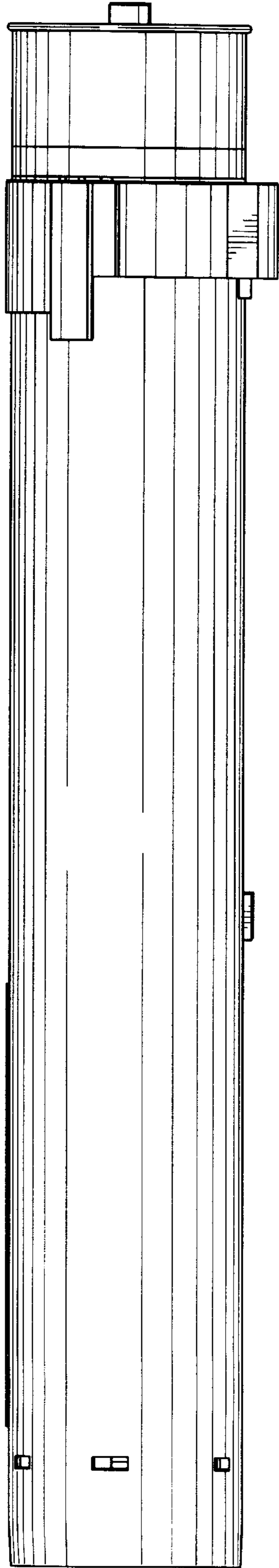


FIG. 4

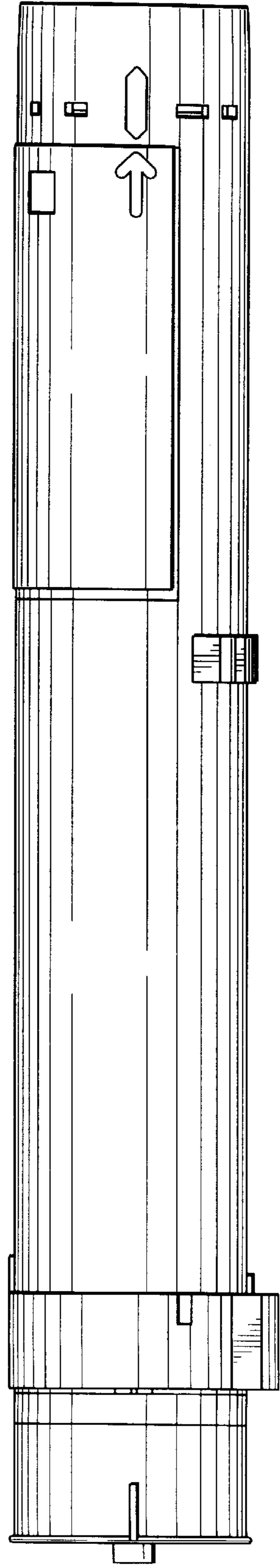


FIG. 5

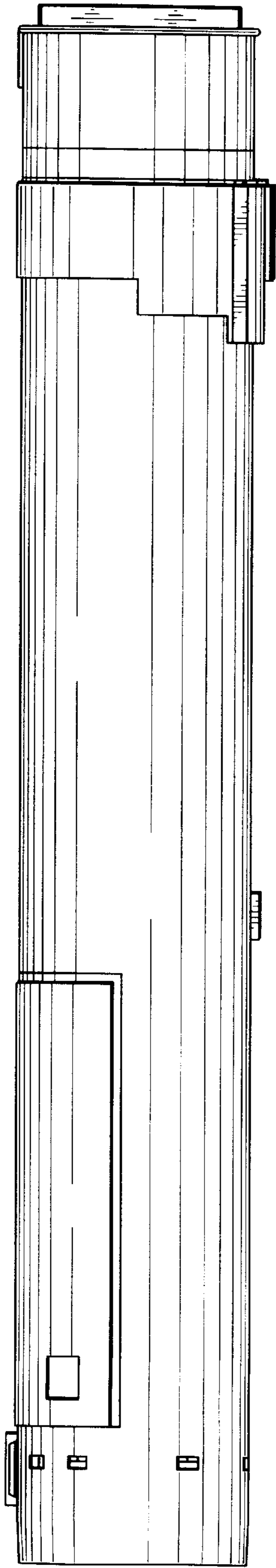


FIG. 6

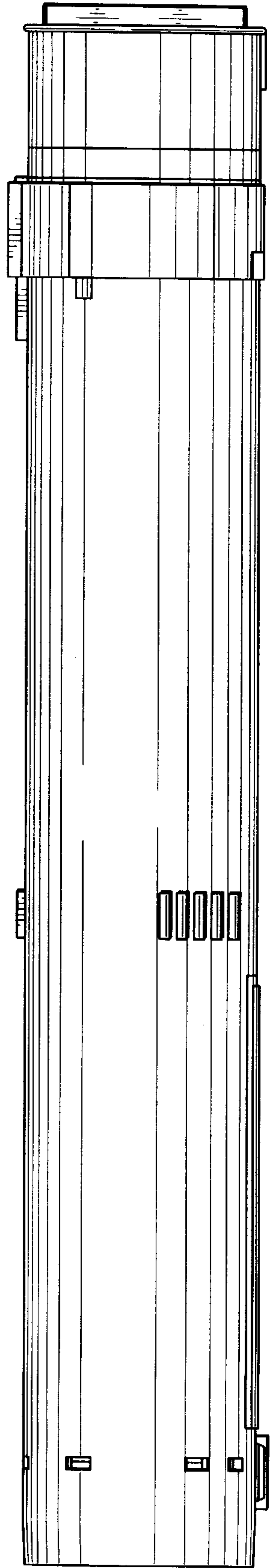


FIG. 7

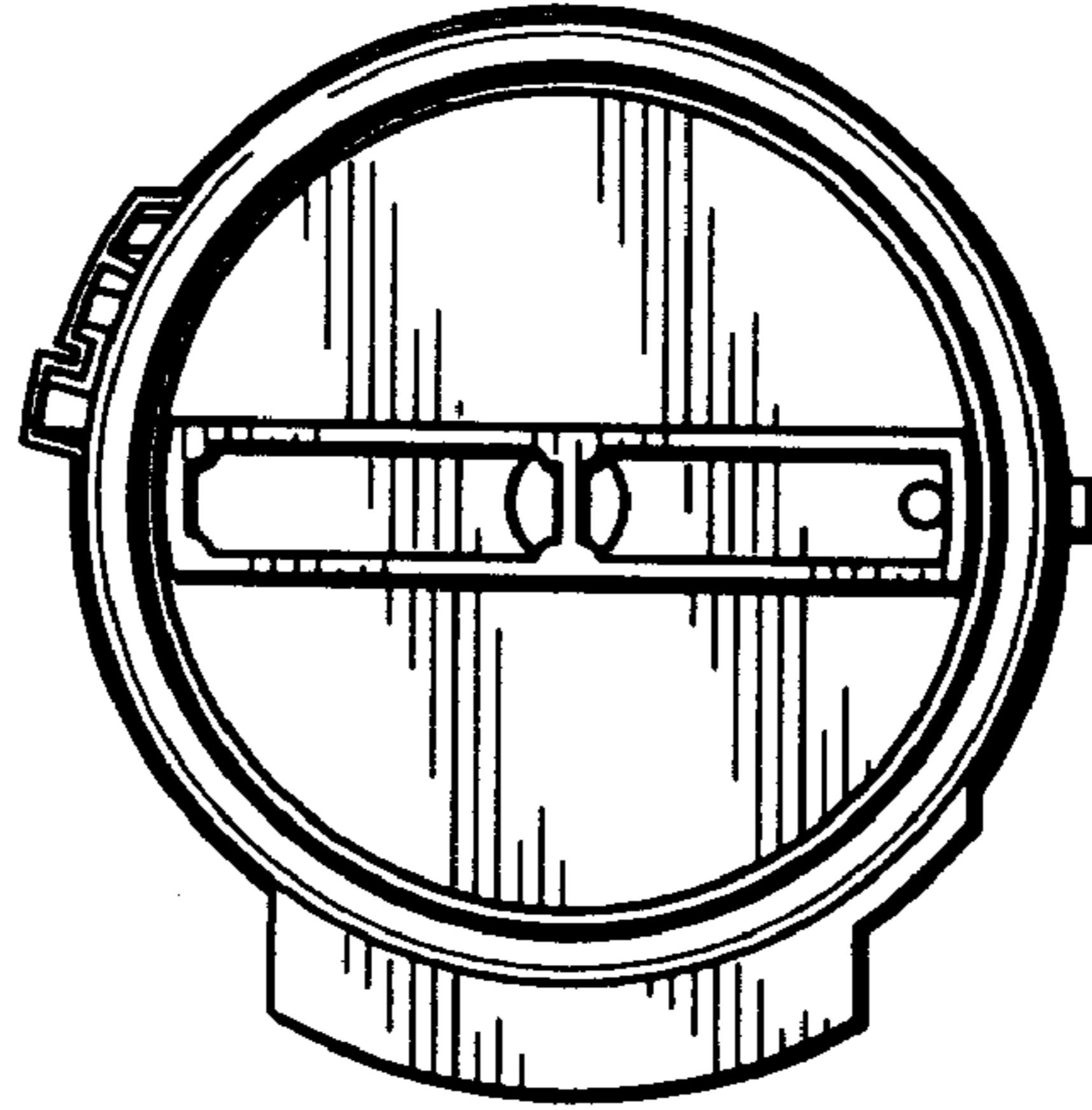


FIG. 8

