



US00D469114S

(12) **United States Design Patent**  
**Coullahan et al.**

(10) **Patent No.:** **US D469,114 S**  
(45) **Date of Patent:** **\*\* Jan. 21, 2003**

(54) **MOVABLE BARRIER OPERATOR**

(75) Inventors: **Kevin Coullahan**, Santa Cruz, CA (US); **Howard Nuk**, Sunnyvale, CA (US); **Michael Vöge**, San Francisco, CA (US)

(73) Assignee: **The Chamberlain Group, Inc.**, Elmhurst, IL (US)

(\*\*) Term: **14 Years**

(21) Appl. No.: **29/147,326**

(22) Filed: **Aug. 28, 2001**

(51) **LOC (7) Cl.** ..... **15-09**

(52) **U.S. Cl.** ..... **D15/148**

(58) **Field of Search** ..... D15/148; 49/197-206; 160/188-201

(56) **References Cited**

**U.S. PATENT DOCUMENTS**

D404,746 S \* 1/1999 Hormann ..... D15/148  
6,374,543 B1 \* 4/2002 Bishai ..... 49/199

\* cited by examiner

*Primary Examiner*—Antoine Duval Davis

(74) *Attorney, Agent, or Firm*—Fitch, Even, Tabin & Flannery

(57) **CLAIM**

The ornamental design for a movable barrier operator, as shown and described.

**DESCRIPTION**

FIG. 1 is a perspective view of a movable barrier operator according to our new design, the broken lines of the movable barrier operator are for illustrative purposes only and form no part of the claimed design;

FIG. 2 is a top plan view of the movable barrier operator of FIG. 1;

FIG. 3 is a front elevational view of the movable barrier operator of FIG. 1;

FIG. 4 is a side elevational view of the movable barrier operator of FIG. 1;

FIG. 5 is a side elevational view of the movable barrier operator of FIG. 1;

FIG. 6 is a rear elevational view of the movable barrier operator of FIG. 1;

FIG. 7 is a bottom plan view of the movable barrier operator of FIG. 1;

FIG. 8 is a perspective view of a movable barrier operator according to our new design, the broken lines of the movable barrier operator are for illustrative purposes only and form no part of the claimed design;

FIG. 9 is a top plan view of the movable barrier operator of FIG. 8;

FIG. 10 is a front elevational view of the movable barrier operator of FIG. 8;

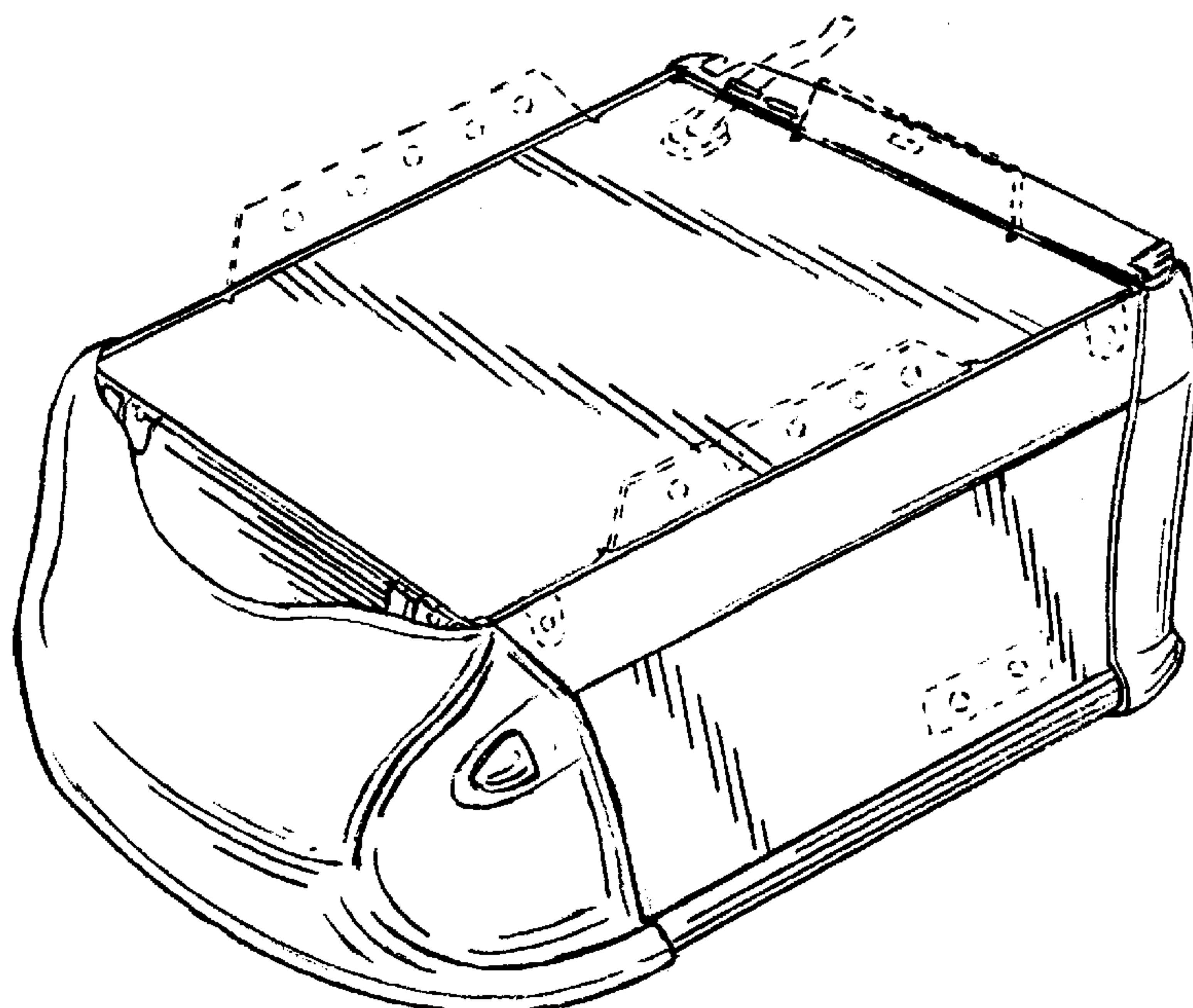
FIG. 11 is a side elevational view of the movable barrier operator of FIG. 8;

FIG. 12 is a side elevational view of the movable barrier operator of FIG. 8;

FIG. 13 is a rear elevational view of the movable barrier operator of FIG. 8; and,

FIG. 14 is a bottom plan view of the movable barrier operator of FIG. 8.

**1 Claim, 6 Drawing Sheets**



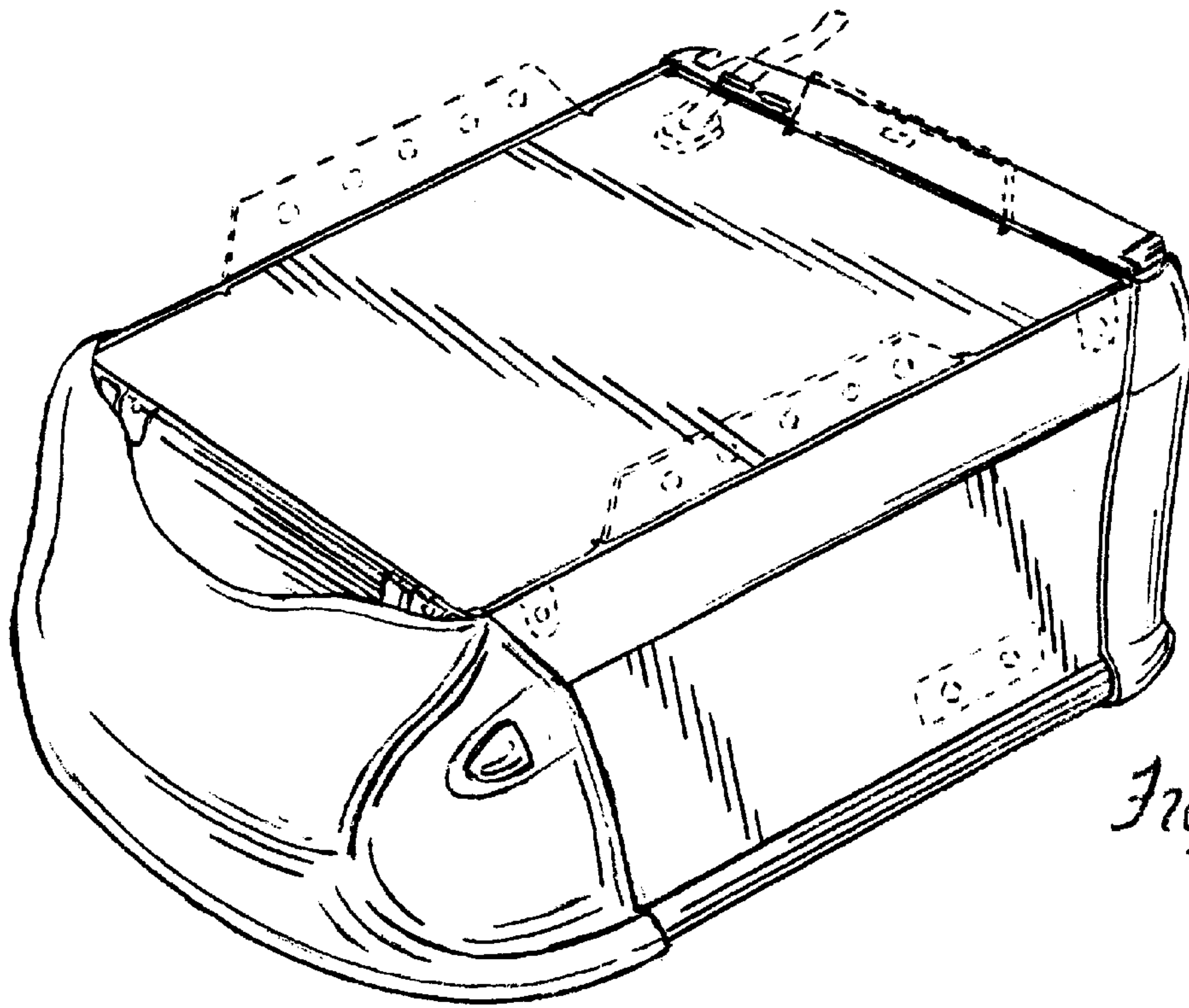


Fig. 1

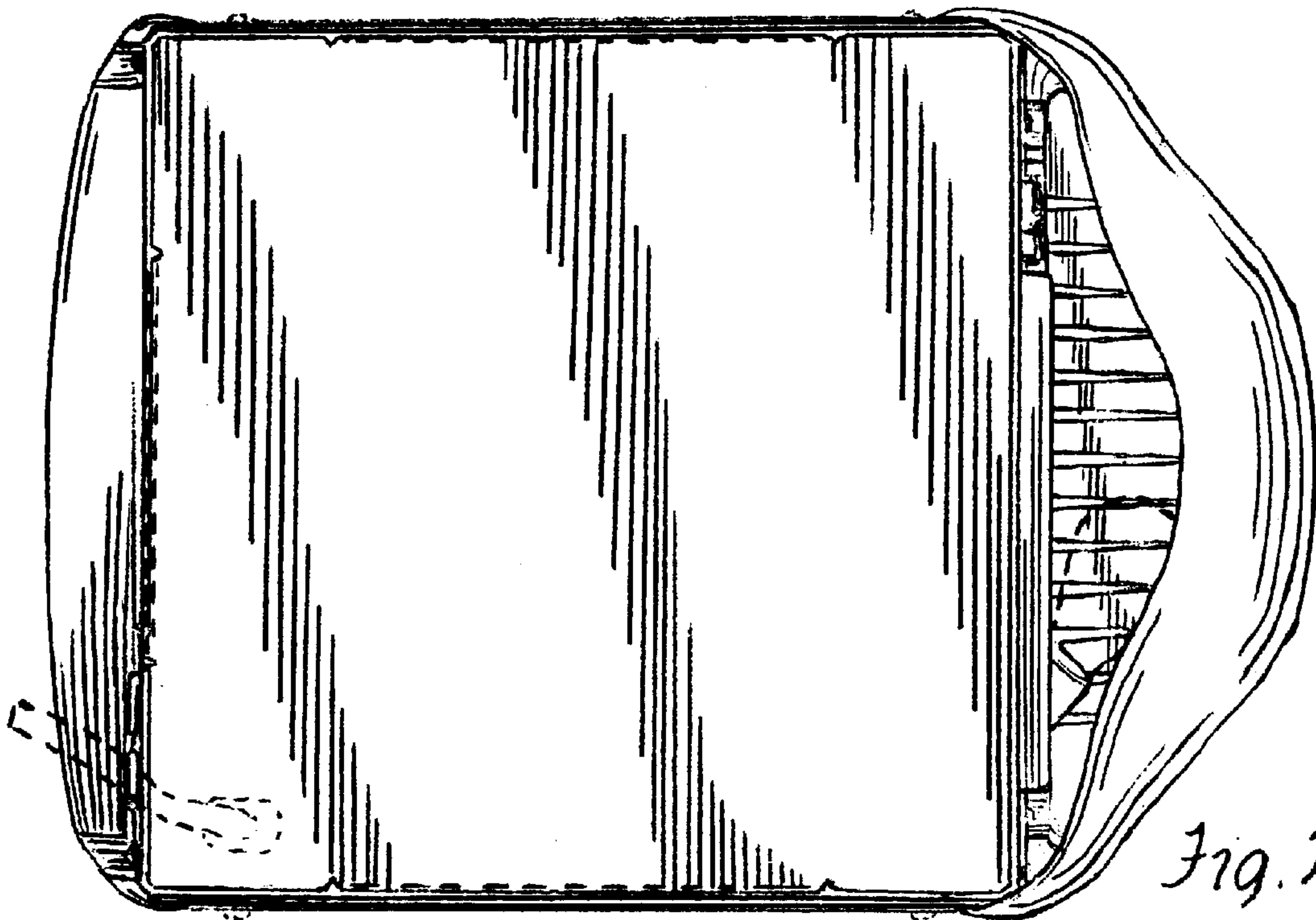


Fig. 2

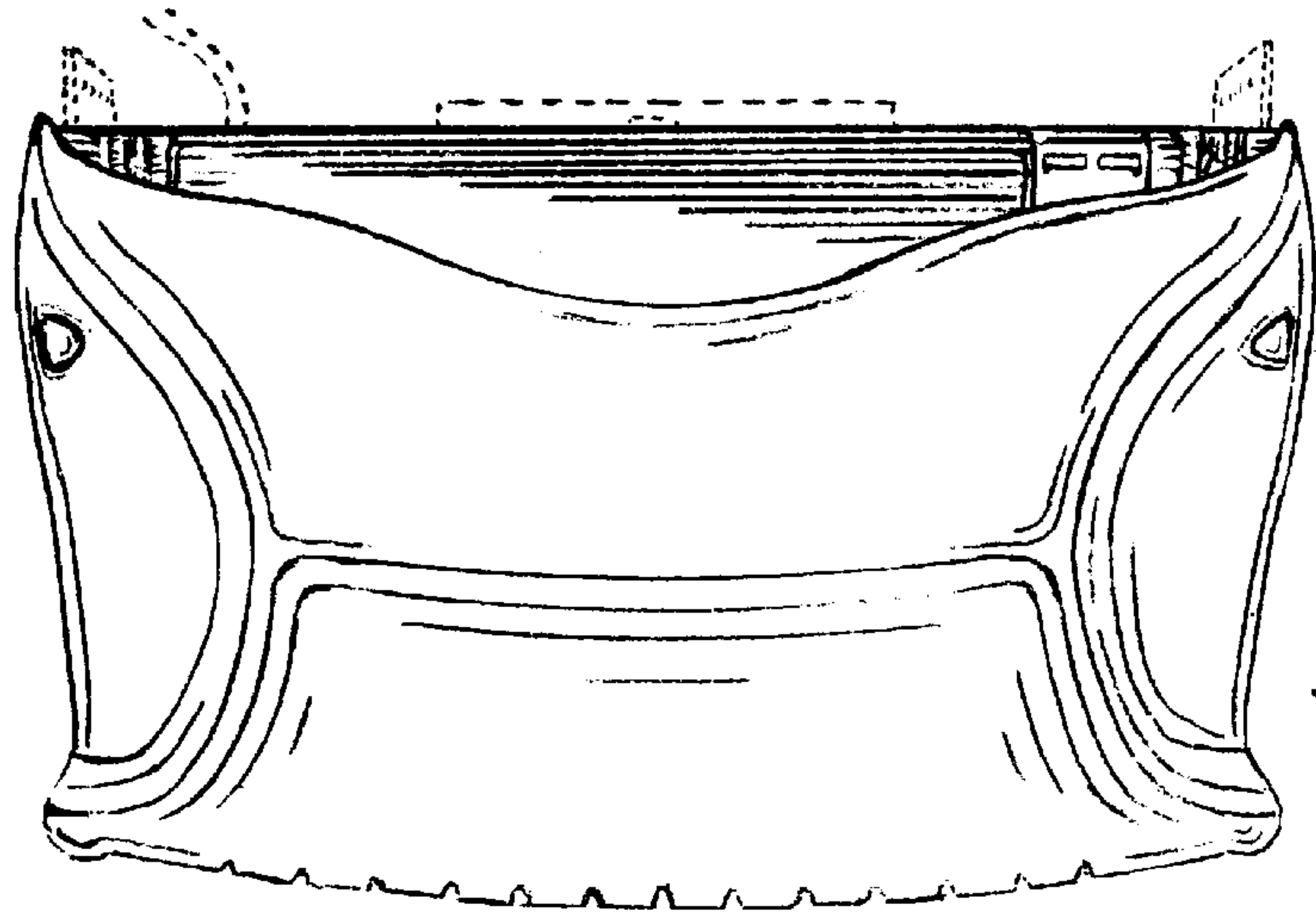


Fig. 3

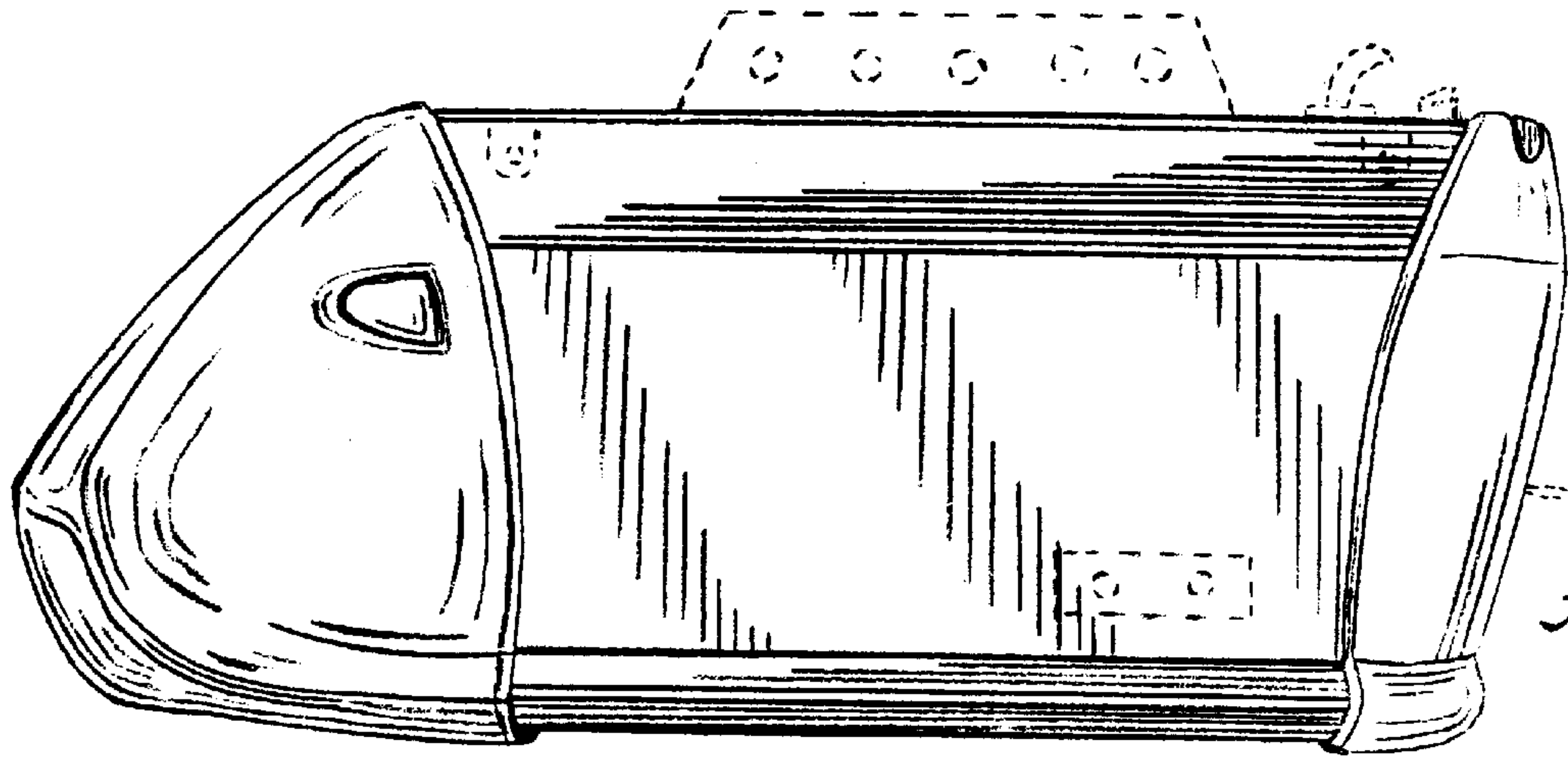


Fig. 4

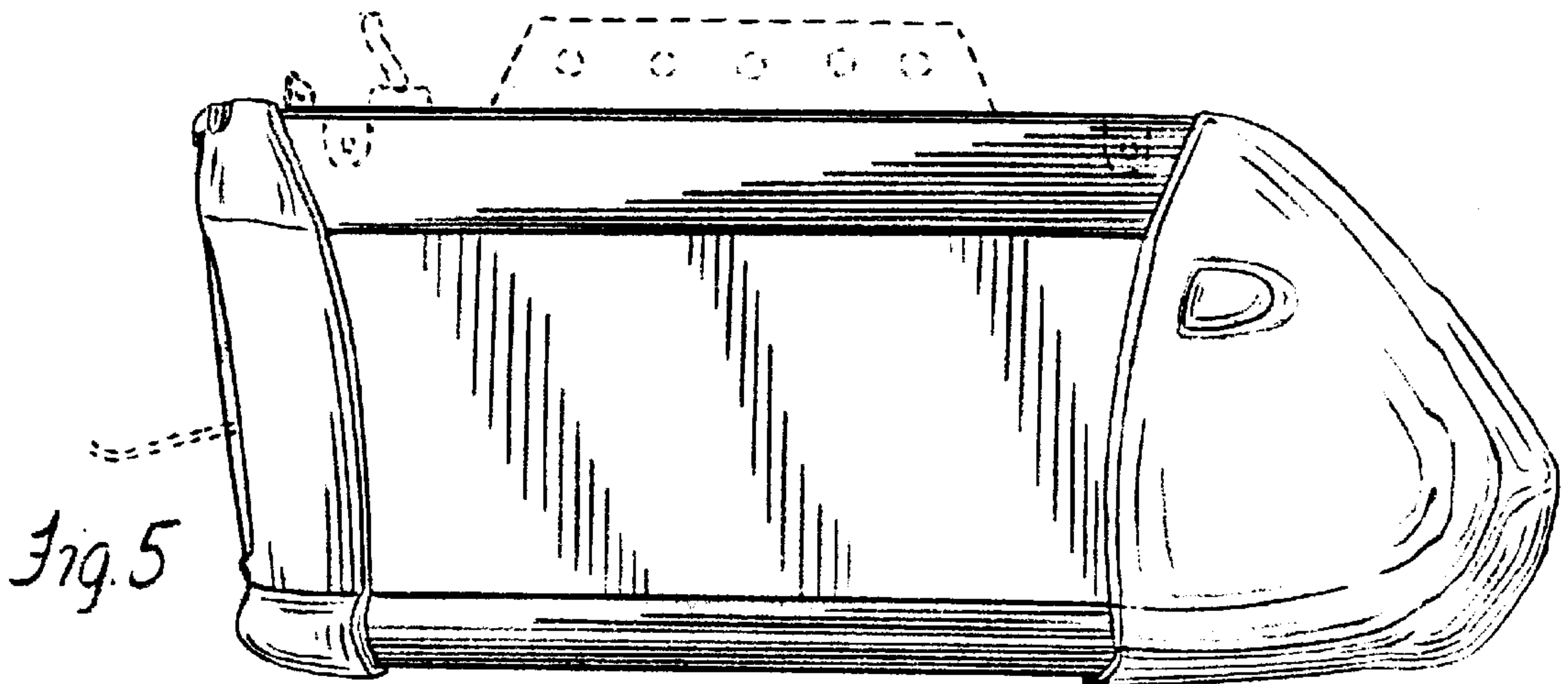
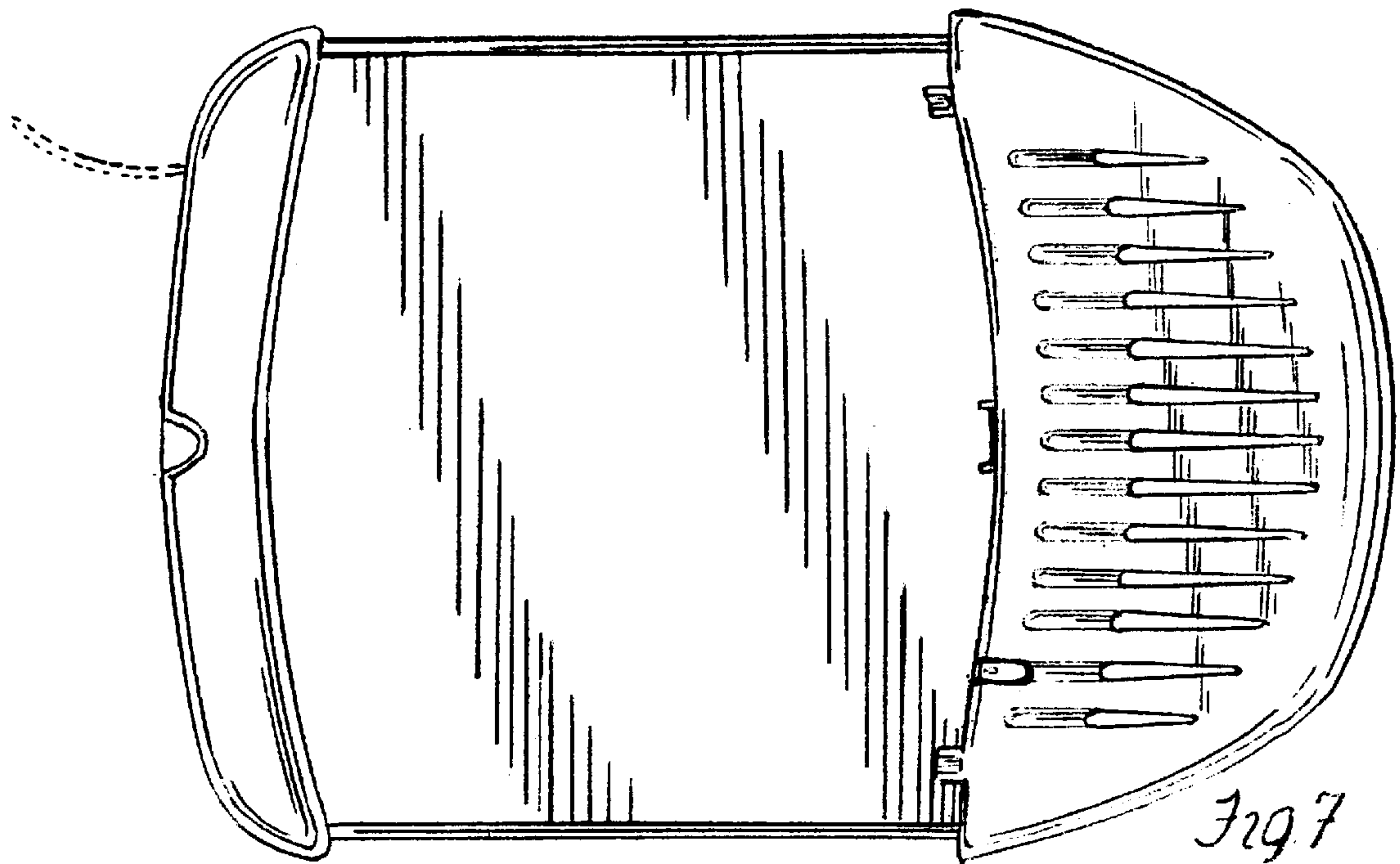
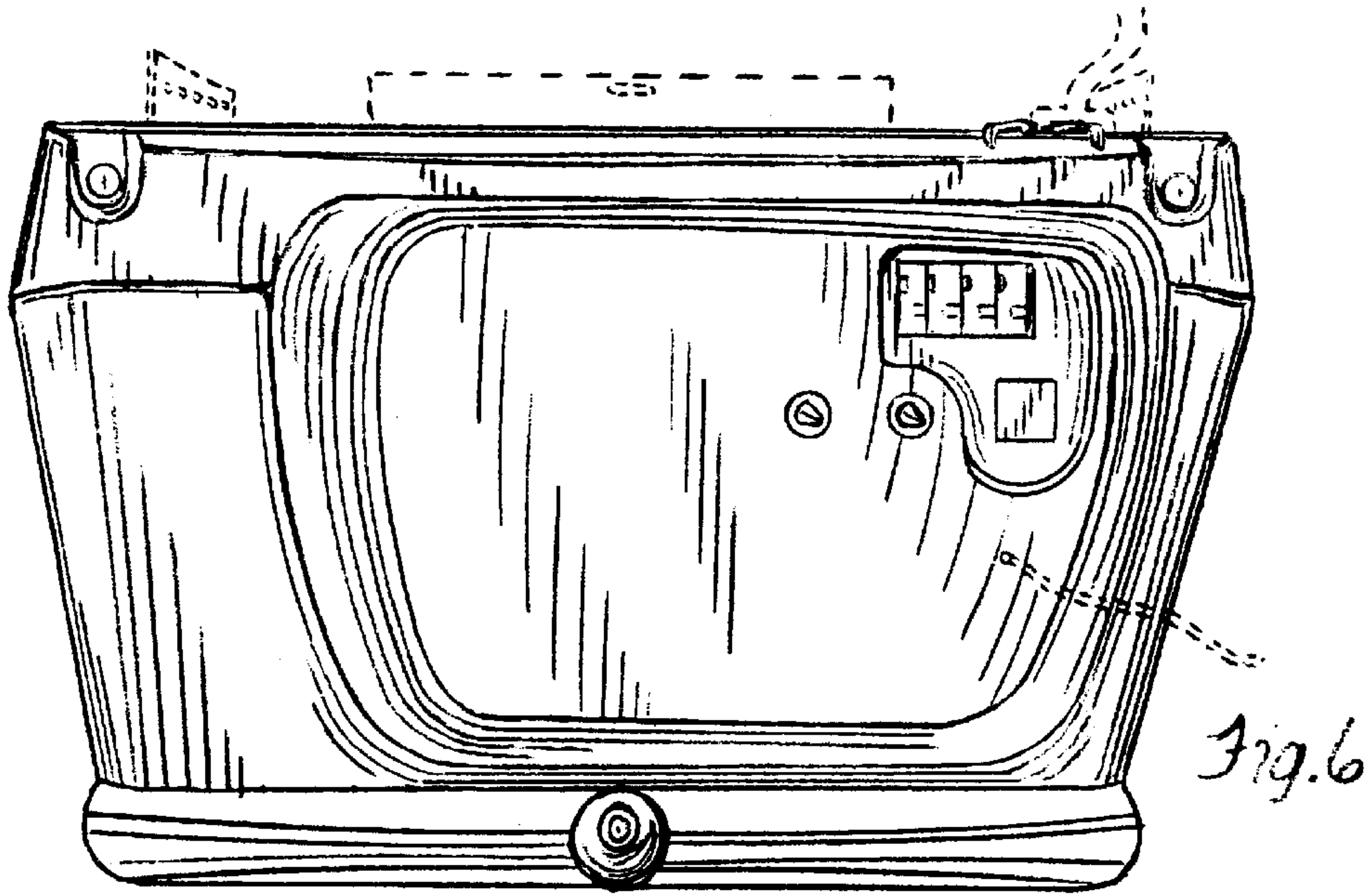


Fig. 5





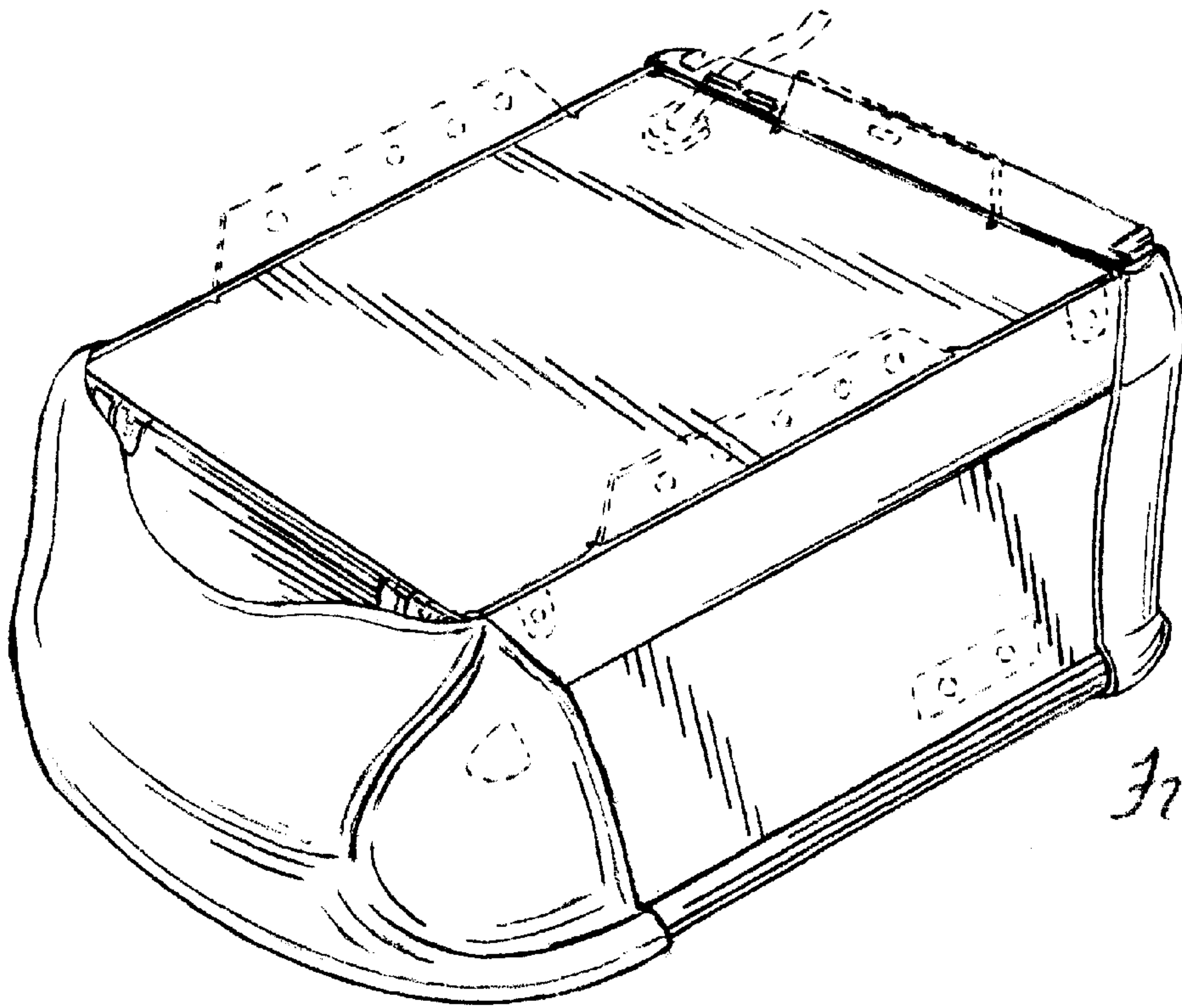


Fig. 8

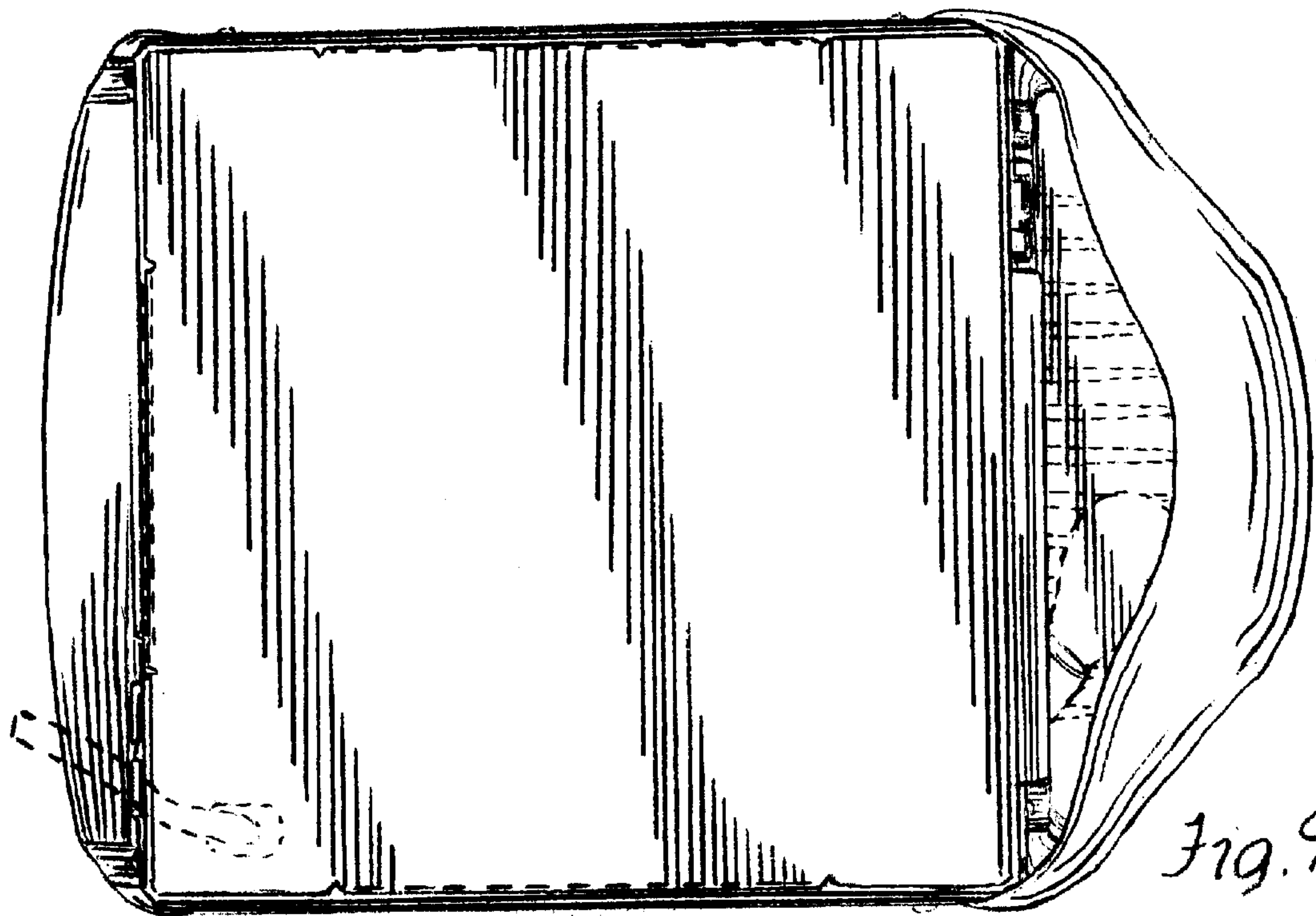


Fig. 9

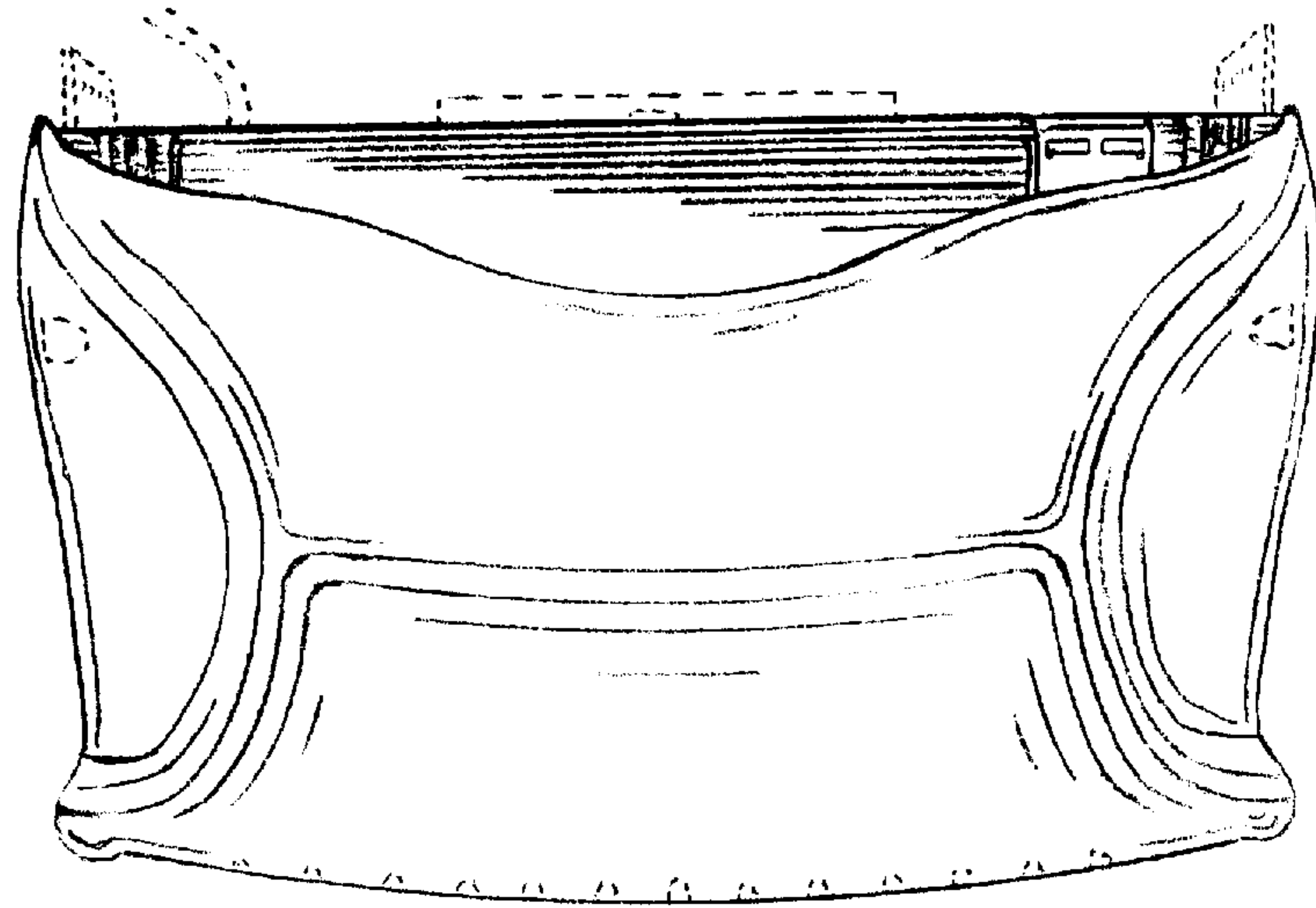


Fig. 10

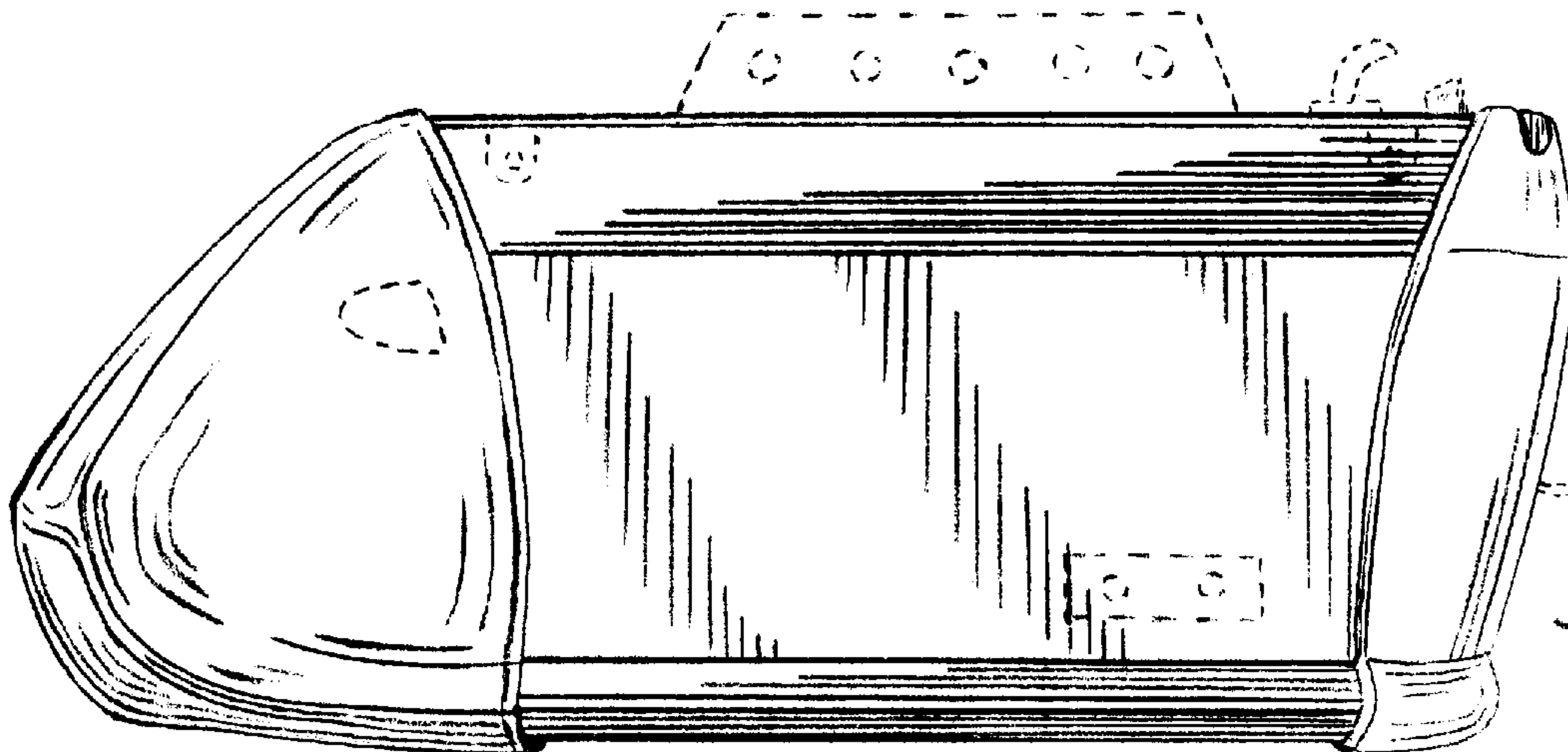


Fig. 11

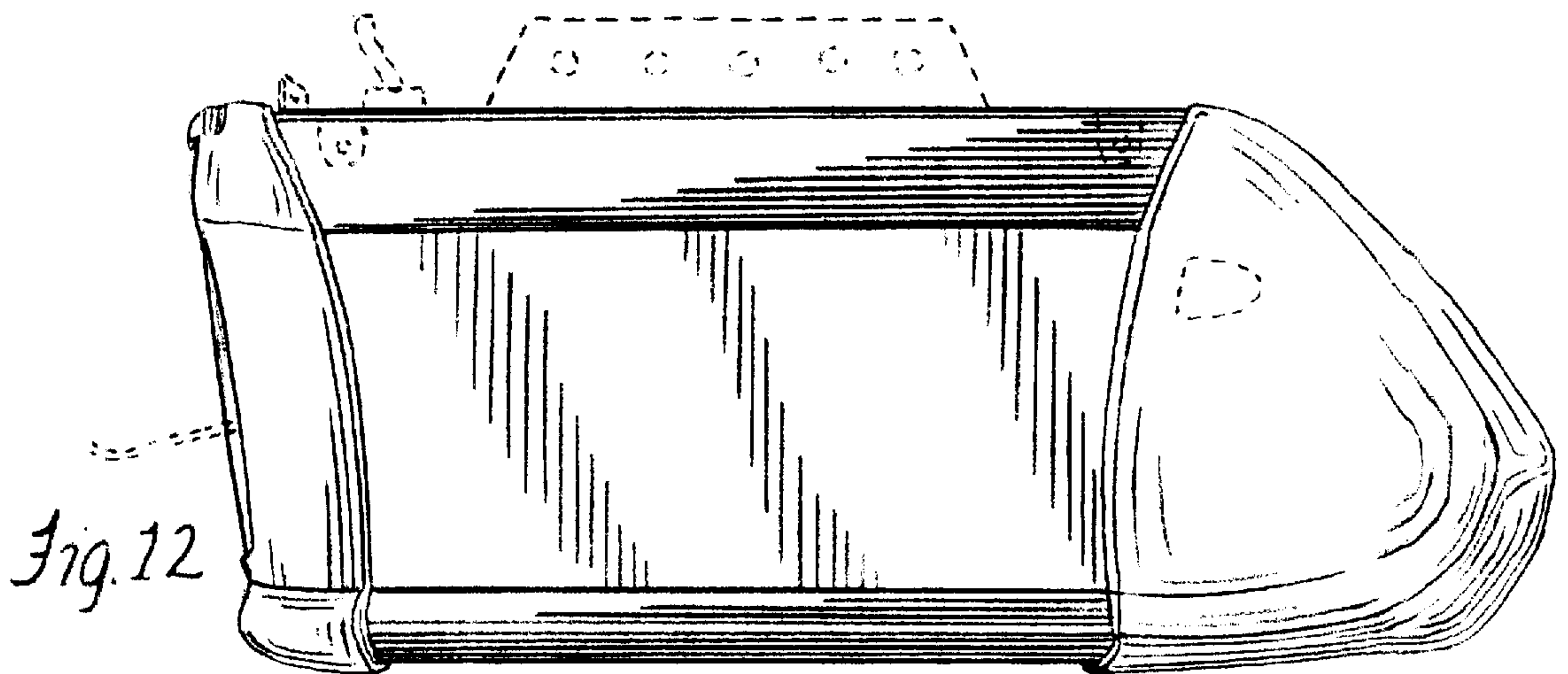
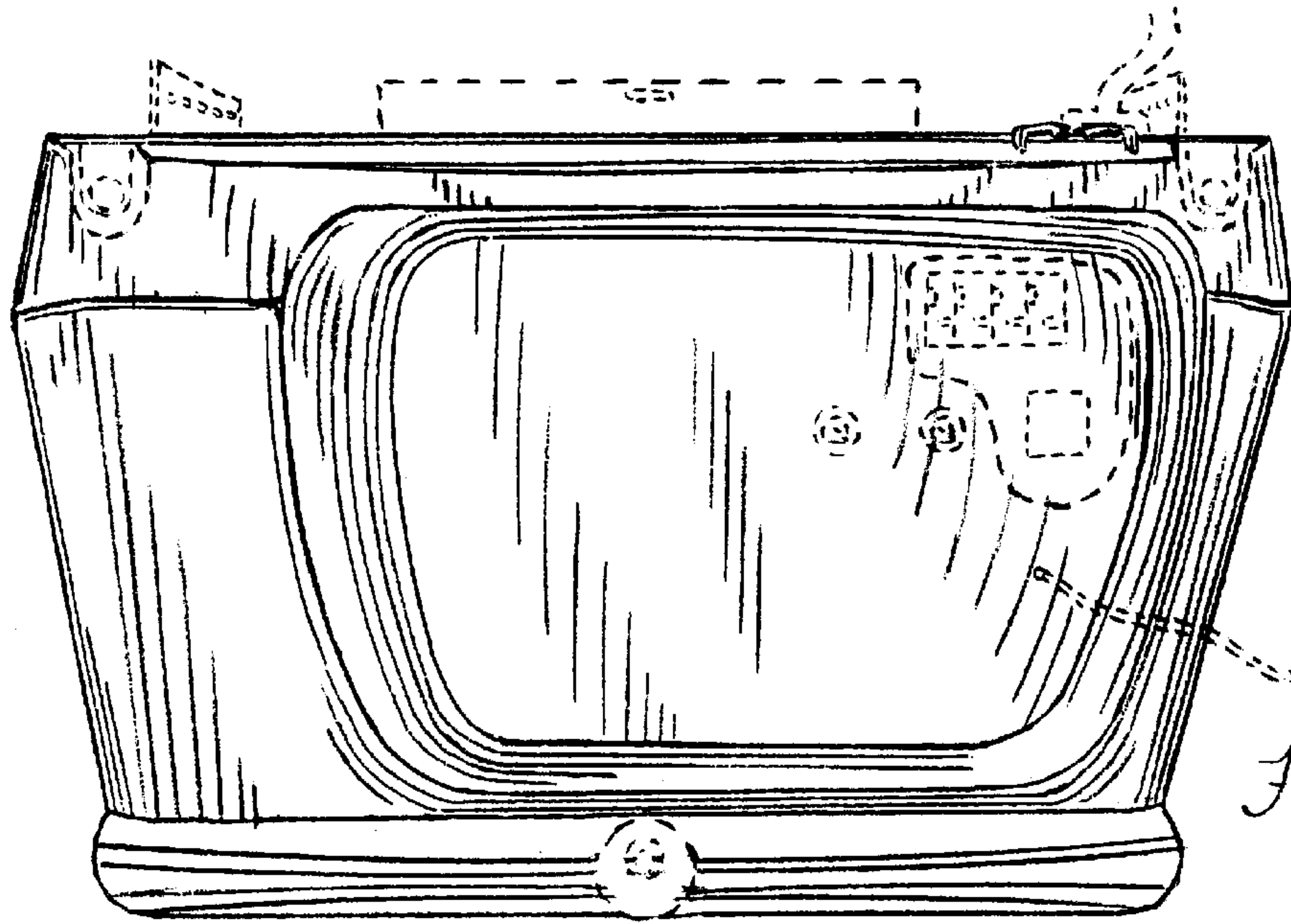
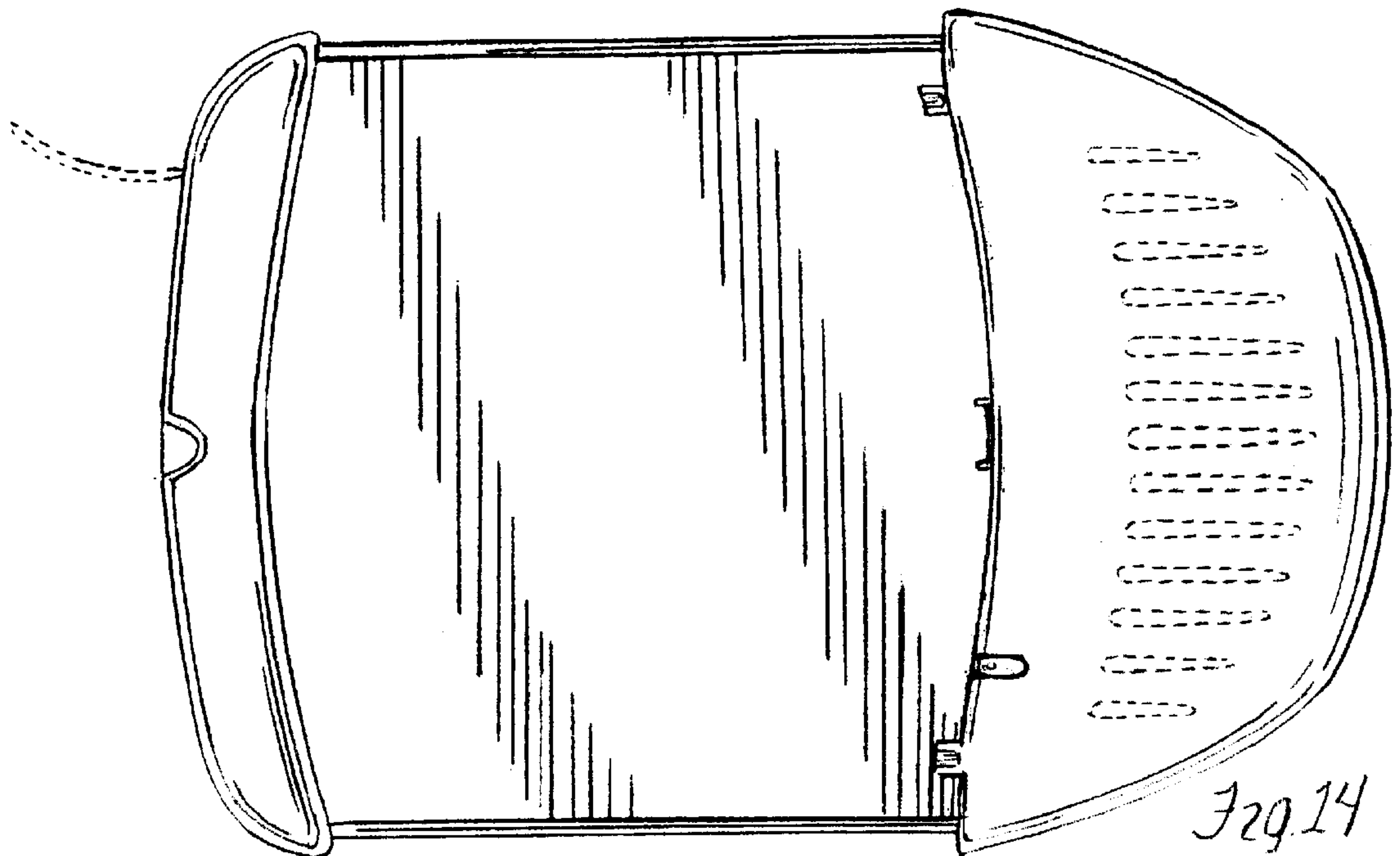


Fig. 12





*Fig. 13*



*Fig. 14*