



US00D469112S

(12) **United States Design Patent**  
**Clevenger et al.**

(10) **Patent No.:** **US D469,112 S**

(45) **Date of Patent:** **\*\* Jan. 21, 2003**

(54) **SPLASH TUBE**

(75) Inventors: **William Andrew Clevenger**, Knoxville, TN (US); **Friedrich Konrad Diecke**, Knoxville, TN (US); **Eric Taylor Spurgeon**, Lenoir City, TN (US)

(73) Assignee: **Deere & Company**, Moline, IL (US)

(\*\*) Term: **14 Years**

(21) Appl. No.: **29/160,696**

(22) Filed: **May 14, 2002**

**Related U.S. Application Data**

(62) Division of application No. 29/141,123, filed on Apr. 30, 2001.

(51) **LOC (7) Cl.** ..... **15-03**

(52) **U.S. Cl.** ..... **D15/28**

(58) **Field of Search** ..... D15/22-26, 28;  
D12/218; 280/830, 831, 834, 164.1; 220/653;  
180/89.1, 900

(56) **References Cited**

**U.S. PATENT DOCUMENTS**

D214,435 S	6/1969	Naeve	.....	D14/3
D219,011 S	10/1970	Marushak et al.	.....	D14/3
4,268,048 A	5/1981	Teraoka et al.	.....	280/5
4,288,086 A	9/1981	Oban et al.	.....	280/5
4,480,845 A	11/1984	Hansen	.....	280/5
5,564,749 A	10/1996	Branham	.....	280/830
D441,710 S	5/2001	Moehle et al.	.....	D12/218

**OTHER PUBLICATIONS**

Picture by Deere & Company employee, Case 1845C Cap Design/Breather for skid steer loader, one page, publication date—2000, published in U.S.A.

Picture by Deere & Company employee, Caterpillar 226 Tank Strap/Breather for skid steer loader, one page, publication date—2000, published in U.S.A.

Picture by Deere & Company employee, New Holland 4475 Cap Design/Breather/Fill Location for skid steer loader, one page, publication date—2000, published in U.S.A.

Picture by Deere & Company employee, Bobcat 763 Breather/Cap Design/Dipstick/Fill for skid steer loader, one page, publication date—2000, published in U.S.A.

Picture by Deere & Company employee, Bobcat 773G Breather for skid steer loader, one page, publication date—2000, published in U.S.A.

Picture and drawing by Deere & Company employees, breather structure for John Deere 200 Series skid steer loader, two pages, publication date—2000, published in U.S.A.

*Primary Examiner*—Mitchell Siegel

(57) **CLAIM**

The ornamental design for a splash tube, as shown and described.

**DESCRIPTION**

FIG. 1 is a right front elevated perspective view of a splash tube, showing our new design, the broken line showing of the fluid reservoir being for illustrative purposes only, and forms no part of the claimed design.

FIG. 2 is a plan view of the splash tube design of FIG. 1.

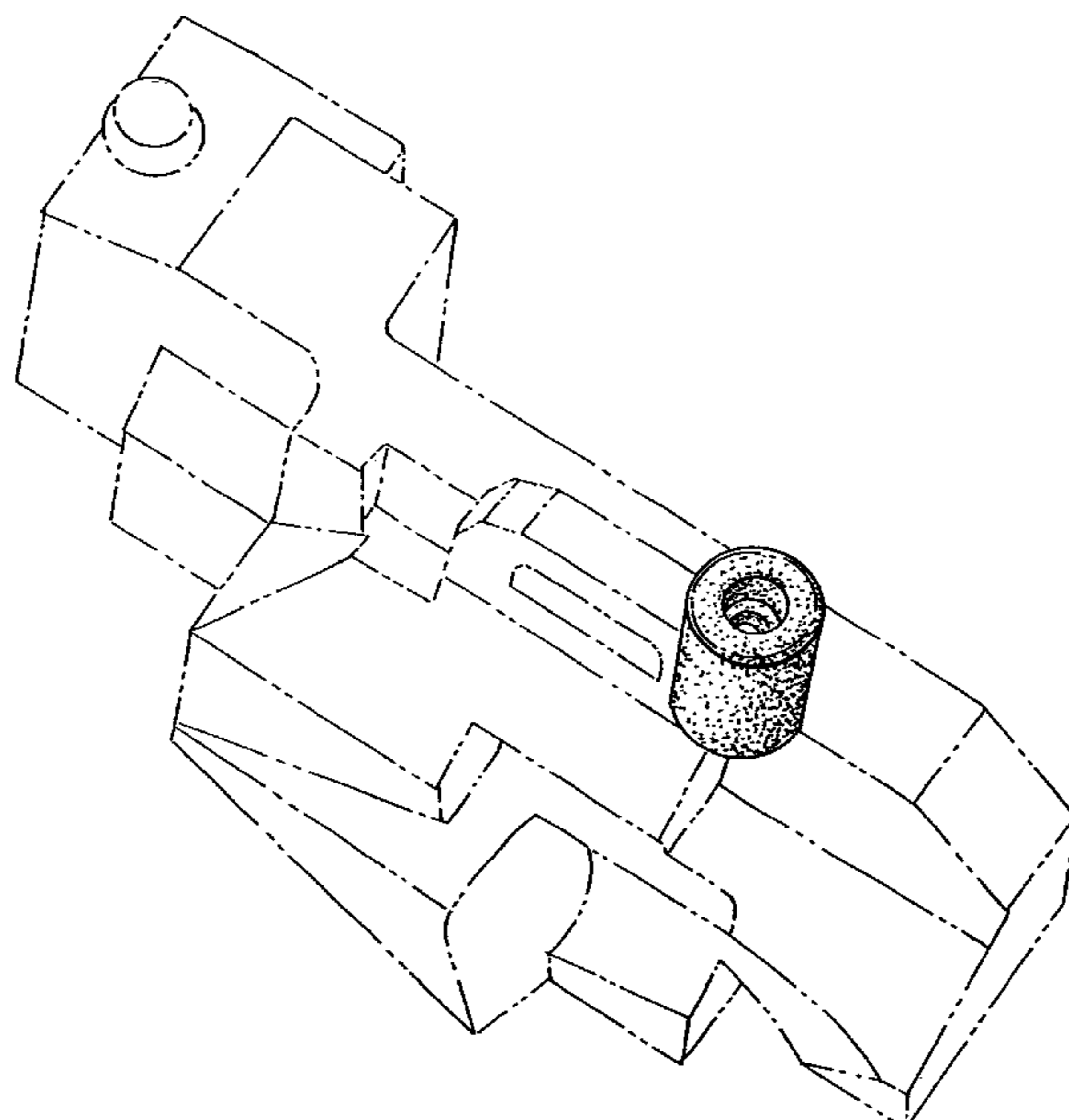
FIG. 3 is a rear view of the splash tube design of FIG. 1.

FIG. 4 is a right side view of the splash tube design of FIG. 1.

FIG. 5 is a front view of the splash tube design of FIG. 1; and,

FIG. 6 is a left side view of the splash tube design of FIG. 1.

**1 Claim, 2 Drawing Sheets**



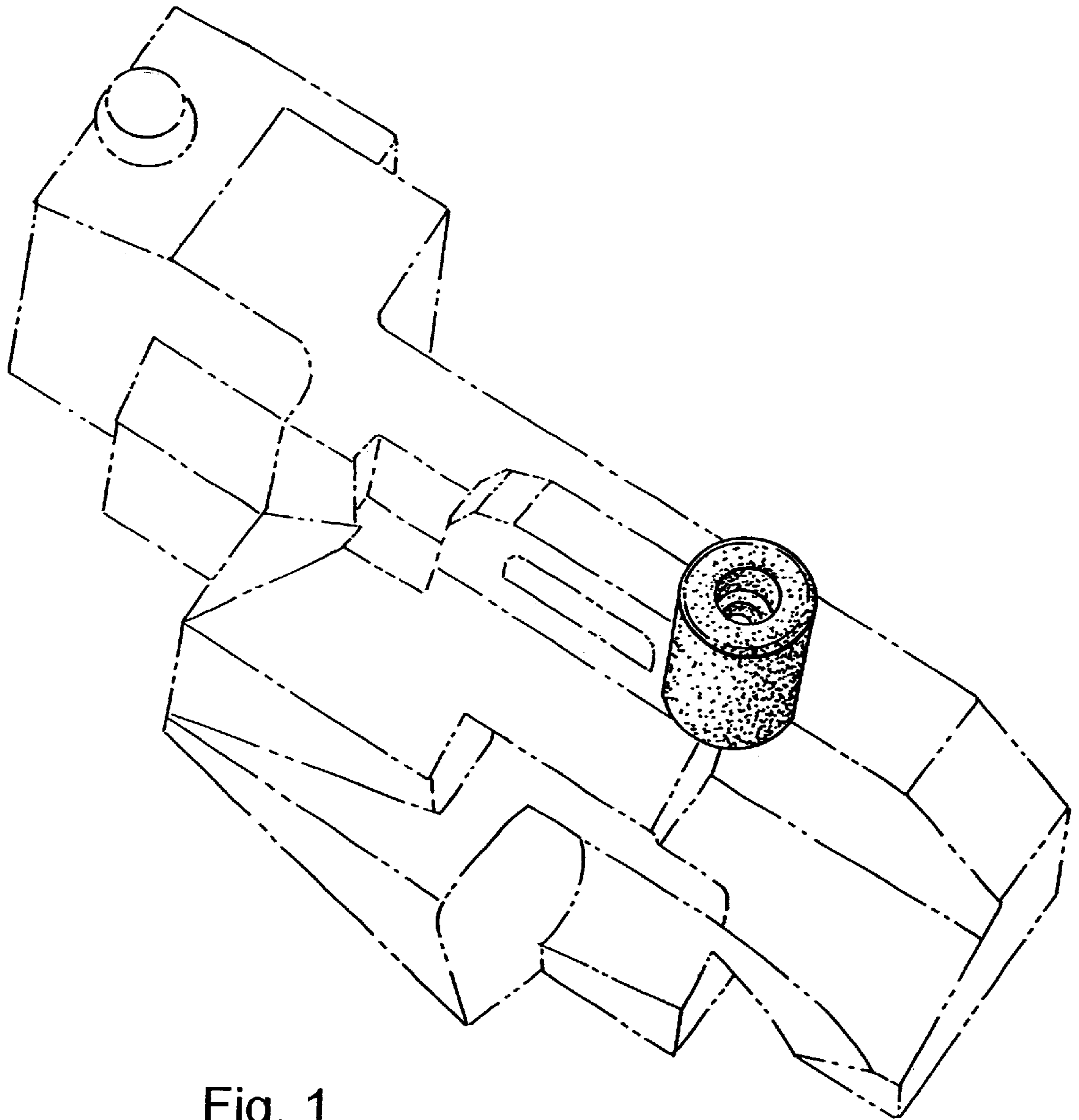


Fig. 1

Fig. 2

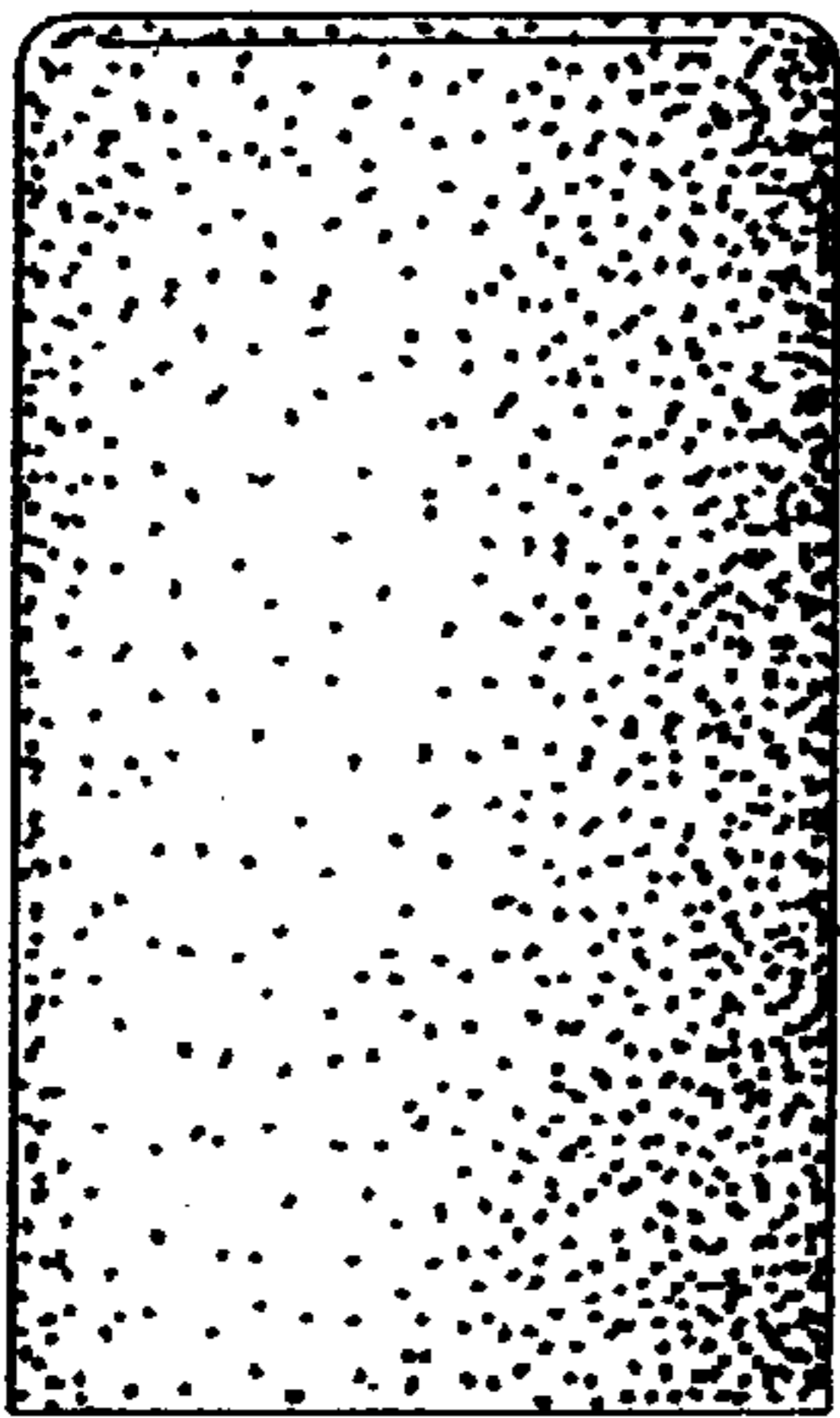
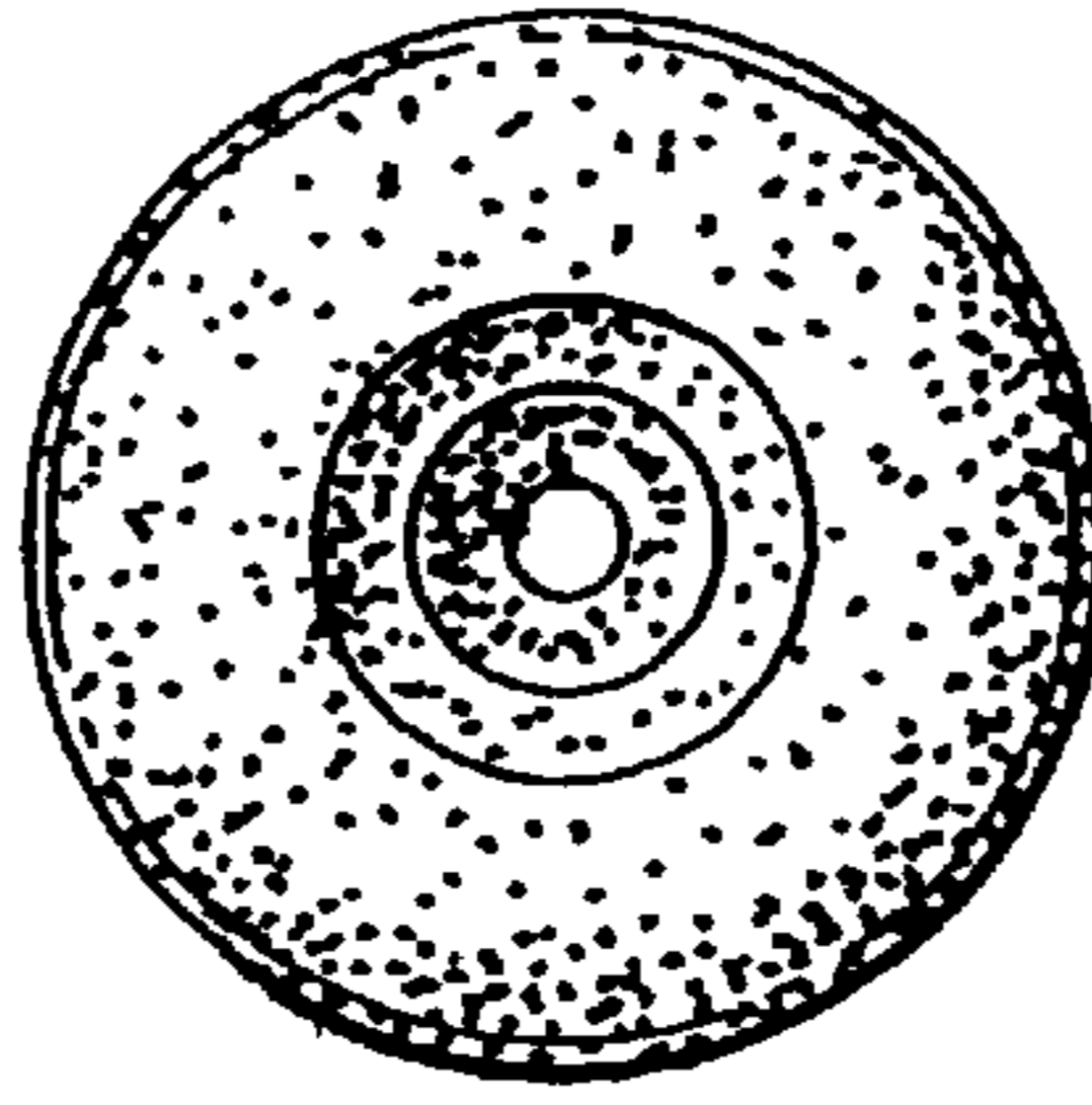


Fig. 3

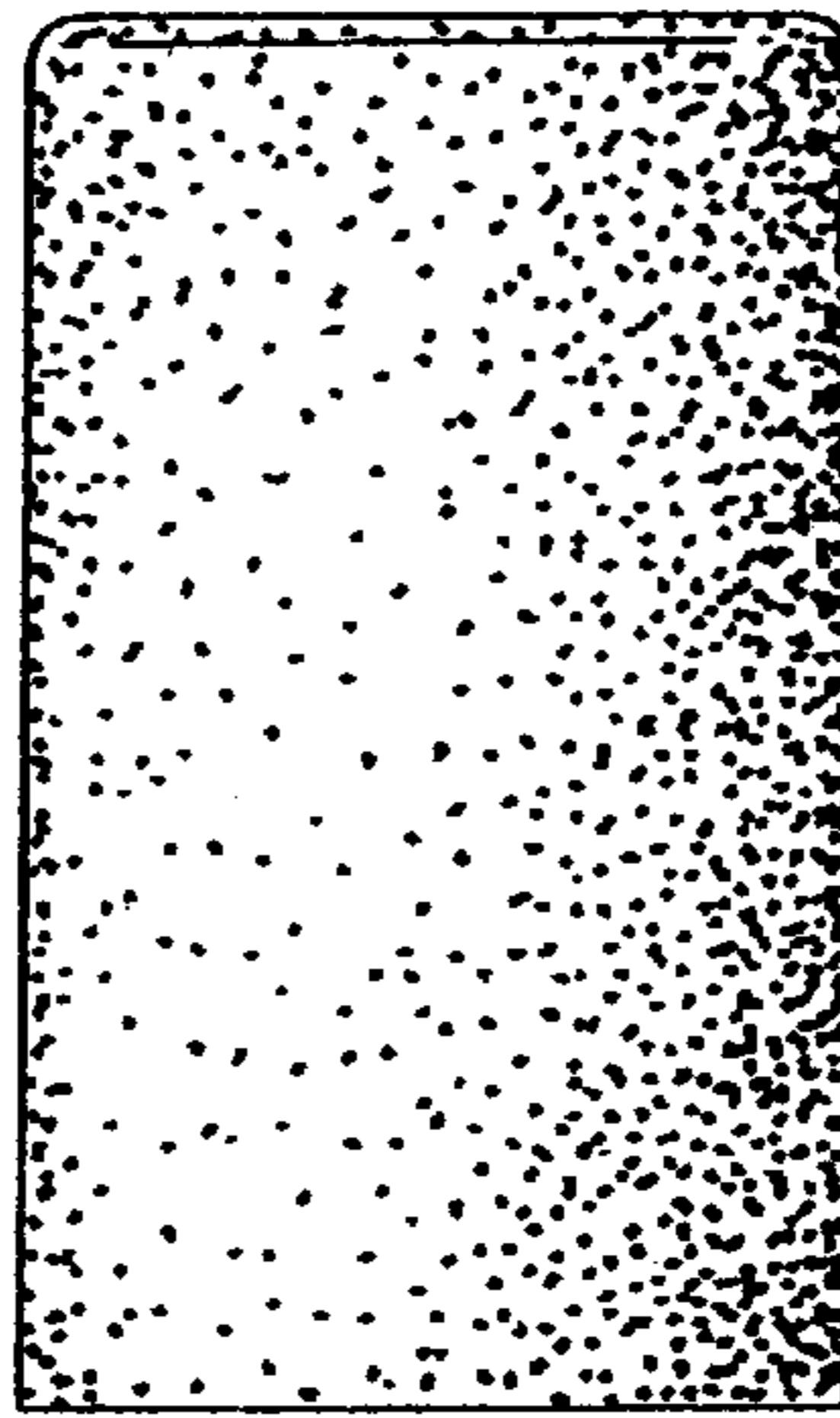


Fig. 4

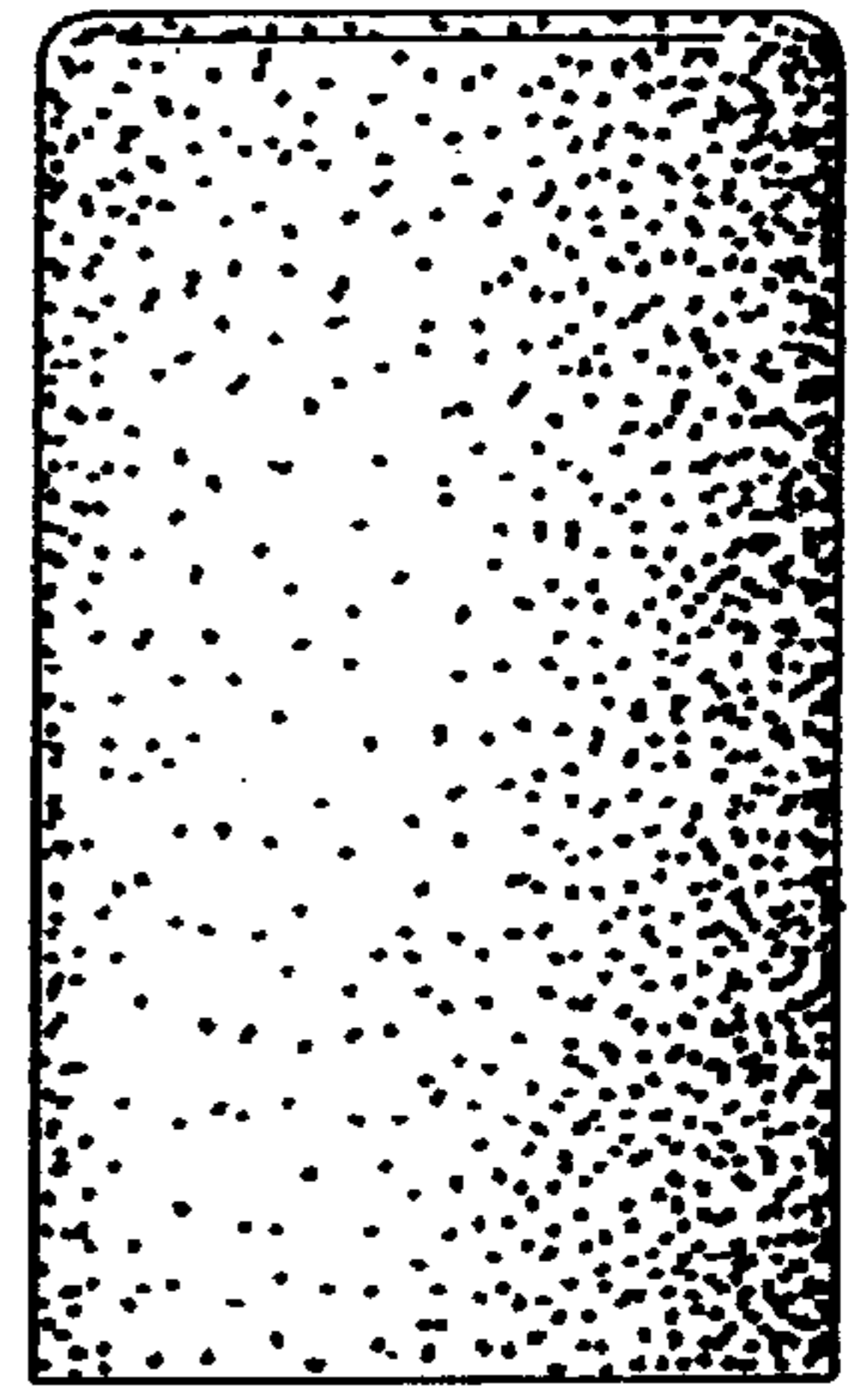


Fig. 5

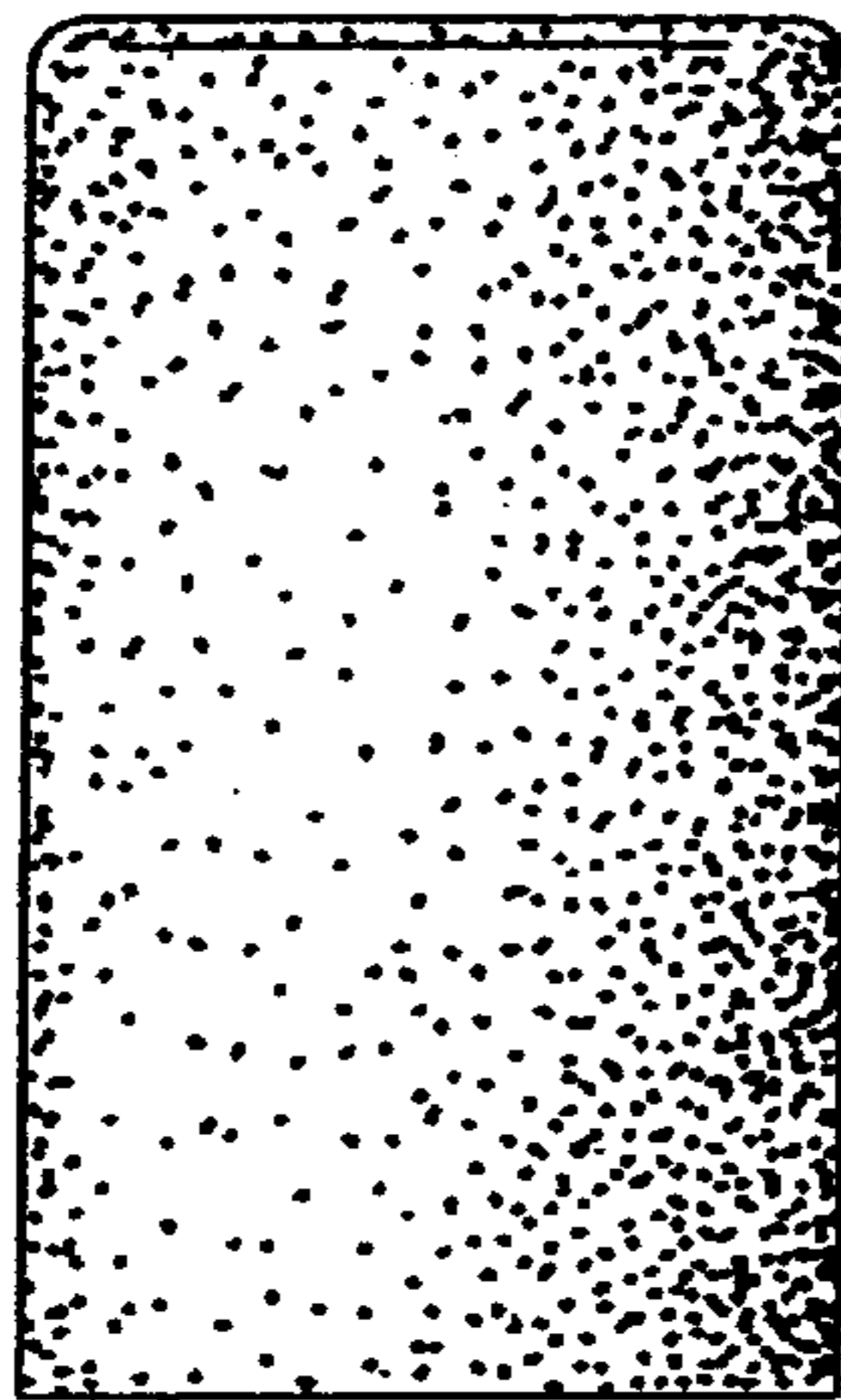


Fig. 6