



US00D469111S

(12) **United States Design Patent**  
**Morita et al.**

(10) **Patent No.:** **US D469,111 S**

(45) **Date of Patent:** **\*\* Jan. 21, 2003**

(54) **FRONT HOUSING FOR A COMPRESSOR**

*Primary Examiner*—Ralf Seifert

(74) *Attorney, Agent, or Firm*—Baker Botts L.L.P.

(75) Inventors: **Yujiro Morita**, Isesaki (JP); **Kiyokazu Yamamoto**, Isesaki (JP)

(57) **CLAIM**

(73) Assignee: **Sanden Corporation**, Gunma (JP)

The ornamental design of a front housing for a compressor, as described in the foregoing specification and the accompanying figures.

(\*\*) Term: **14 Years**

(21) Appl. No.: **29/145,206**

**DESCRIPTION**

(22) Filed: **Jul. 19, 2001**

FIG. 1 is a front view of a first embodiment of a front housing for a compressor.

(30) **Foreign Application Priority Data**

FIG. 2 is a top view of this first embodiment of the front housing for a compressor.

Jan. 19, 2001	(JP)	.....	2001-000996
Jan. 19, 2001	(JP)	.....	2001-000997
Jan. 19, 2001	(JP)	.....	2001-000998
Jan. 19, 2001	(JP)	.....	2001-000999
Jan. 19, 2001	(JP)	.....	2001-001000
Jan. 19, 2001	(JP)	.....	2001-001002
Jan. 19, 2001	(JP)	.....	2001-000995

FIG. 3 is a right side view of this first embodiment of the front housing for a compressor.

(51) **LOC (7) Cl.** ..... **15-02**

FIG. 4 is a left side view of this first embodiment of the front housing for a compressor.

(52) **U.S. Cl.** ..... **D15/9**

FIG. 5 is a rear view of this first embodiment of the front housing for a compressor.

(58) **Field of Search** ..... D15/7-9; 417/234, 417/229, 321, 410-411, 265, 405, 415, 419, 572, 313, 360, 53, 213.1; D23/325

FIG. 6 is a bottom view of this first embodiment of the front housing for a compressor.

(56) **References Cited**

**U.S. PATENT DOCUMENTS**

FIG. 7 is a perspective view of this first embodiment of the front housing for a compressor.

4,373,876	A	2/1983	Nemoto	
D282,471	S	2/1986	Bearint et al.	
D351,603	S	10/1994	Ikeda et al.	
D352,291	S	11/1994	Ikeda et al.	
D356,862	S	* 3/1995	Ito et al.	D23/325
5,470,207	A	* 11/1995	Shockey et al.	417/313
D374,016	S	* 9/1996	Wada et al.	D15/9
D381,340	S	7/1997	Takenaka et al.	
D381,993	S	8/1997	Takenaka et al.	
D417,266	S	11/1999	Ito et al.	
D435,856	S	* 1/2001	Kato	D15/9
D440,232	S	4/2001	Kou	
D441,378	S	5/2001	Kou	
D452,254	S	* 12/2001	Kawaguchi et al.	D15/9
D454,889	S	* 3/2002	Kawaguchi et al.	D15/9

FIG. 8 is a cross-sectional view of this first embodiment of the front housing for a compressor, showing the shape of this embodiment of the design, along line 8—8 of FIG. 2.

\* cited by examiner

FIG. 9 is a side view of compressor including this first embodiment of the front housing.

FIG. 10 is a front view of a front housing for a compressor showing a second embodiment of my new design;

FIG. 11 is a top view of FIG. 10;

FIG. 12 is right side view of FIG. 10;

FIG. 13 is a left side view of FIG. 10;

FIG. 14 is a rear view of FIG. 10;

FIG. 15 is a bottom view of FIG. 10;

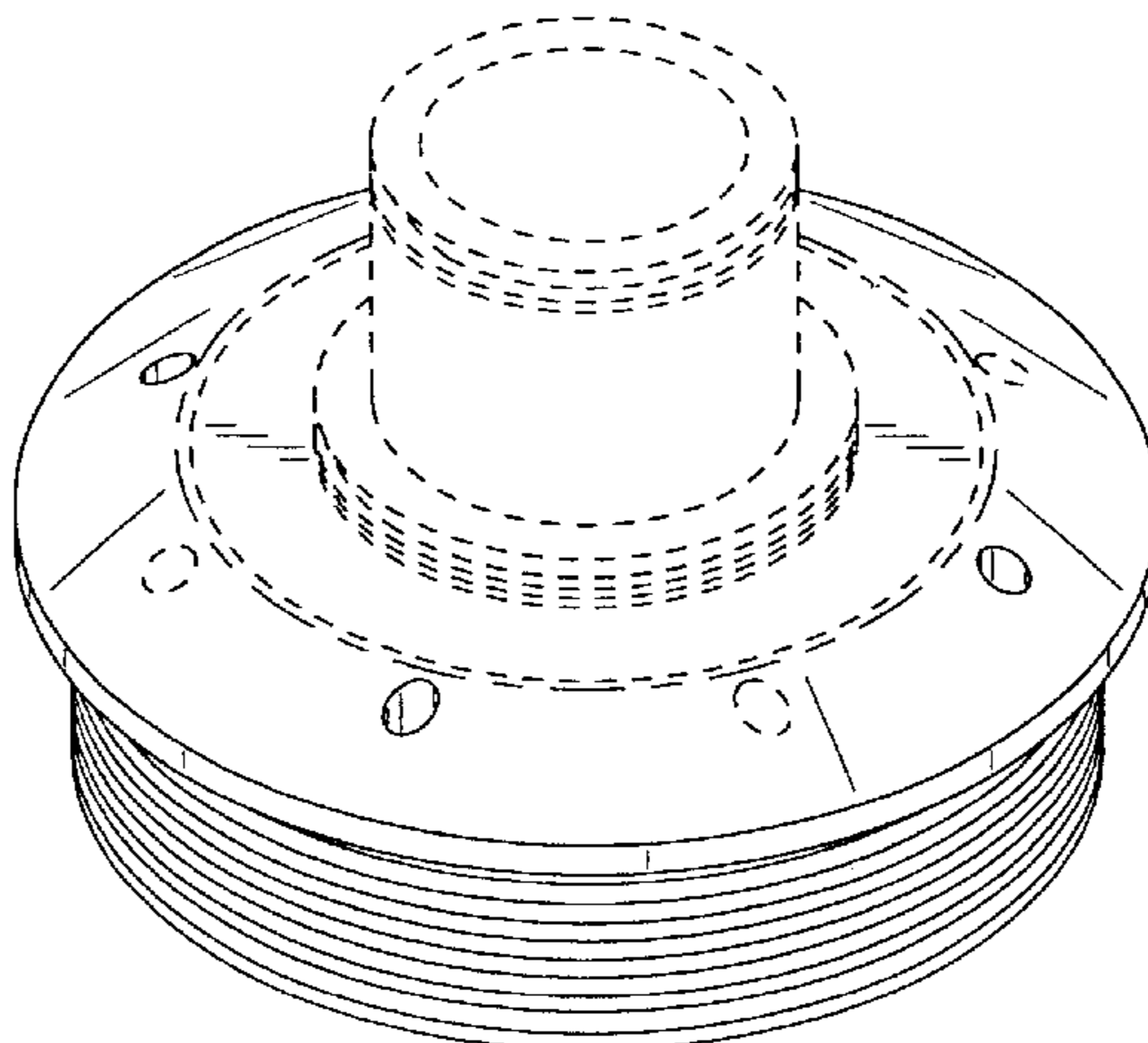
FIG. 16 is a perspective view of FIG. 10;

FIG. 17 is a cross-sectional view of FIG. 10 taken along the lines 17—17 of FIG. 11; and,

FIG. 18 is a side view of FIG. 10.

It being understood that the broken lines are for illustrative purposes only.

**1 Claim, 9 Drawing Sheets**



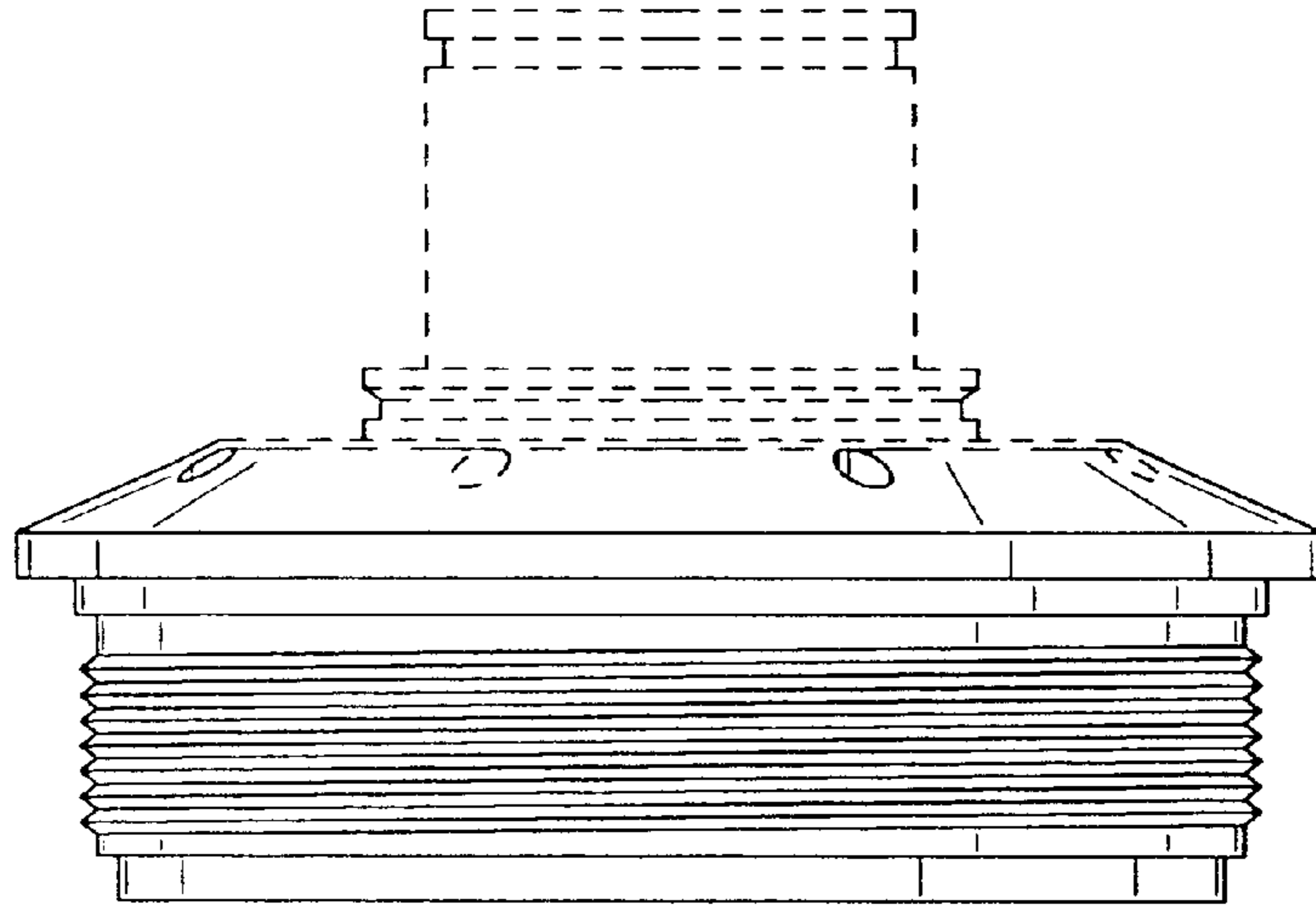


FIG. 1

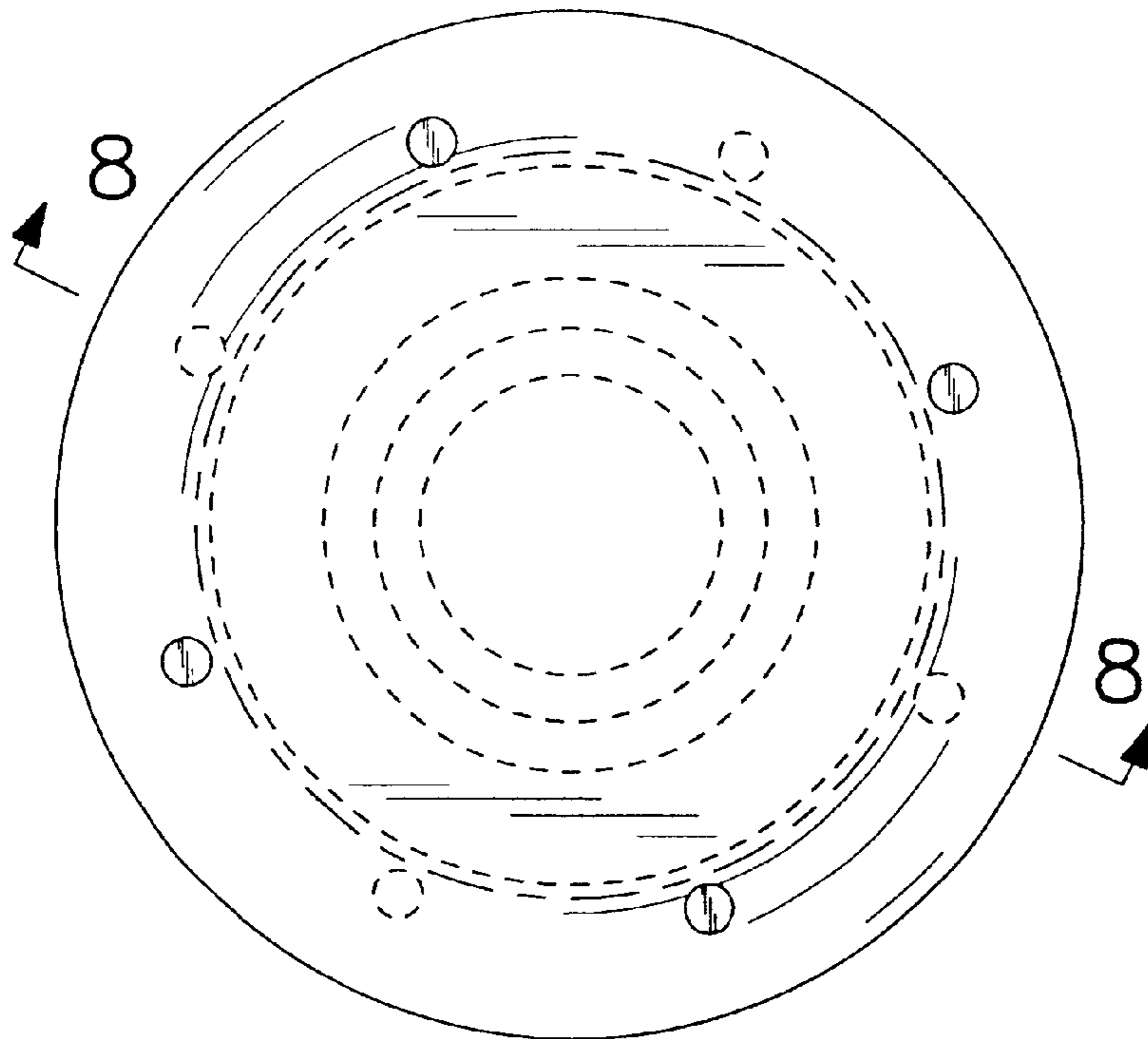


FIG. 2

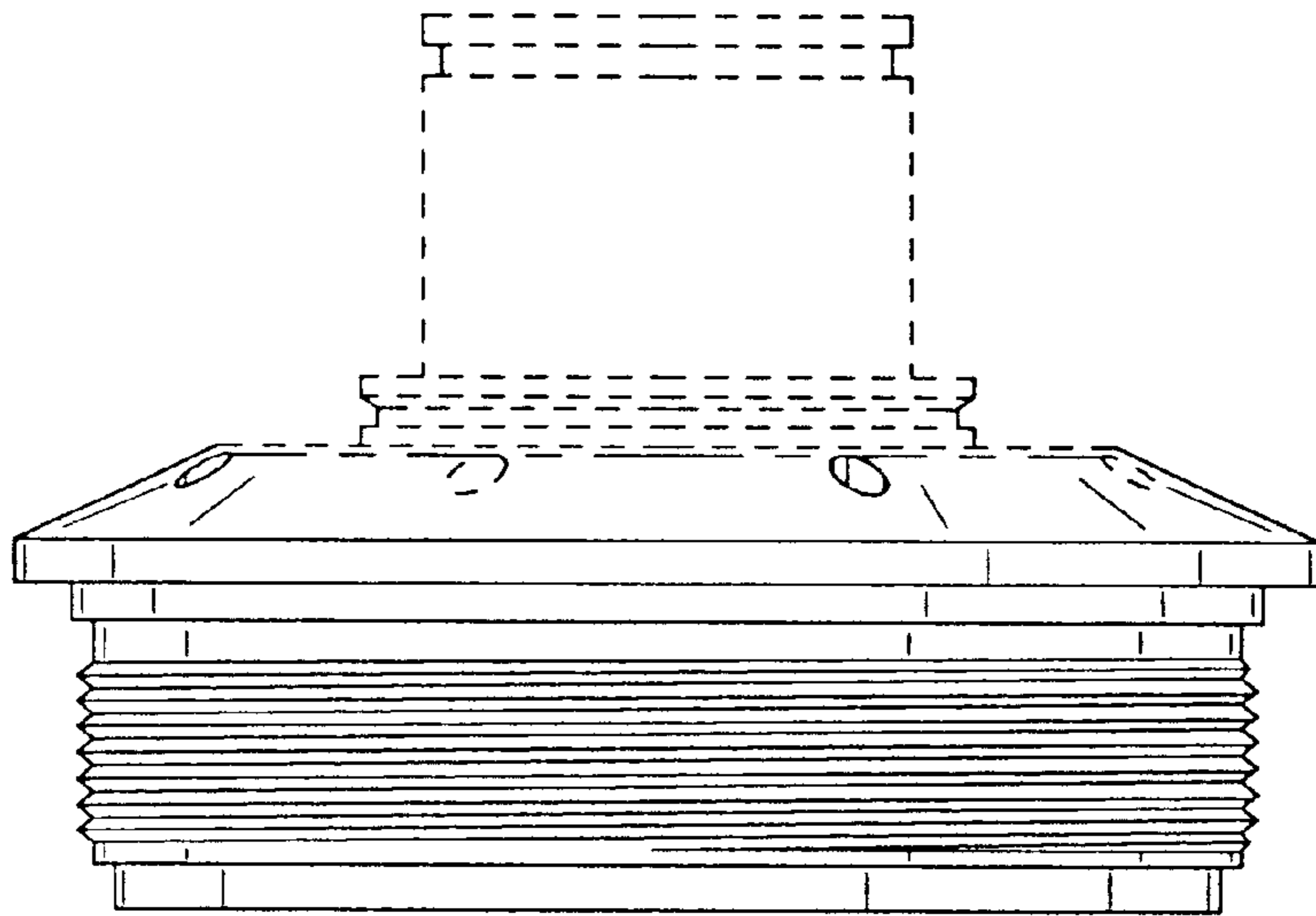


FIG. 3

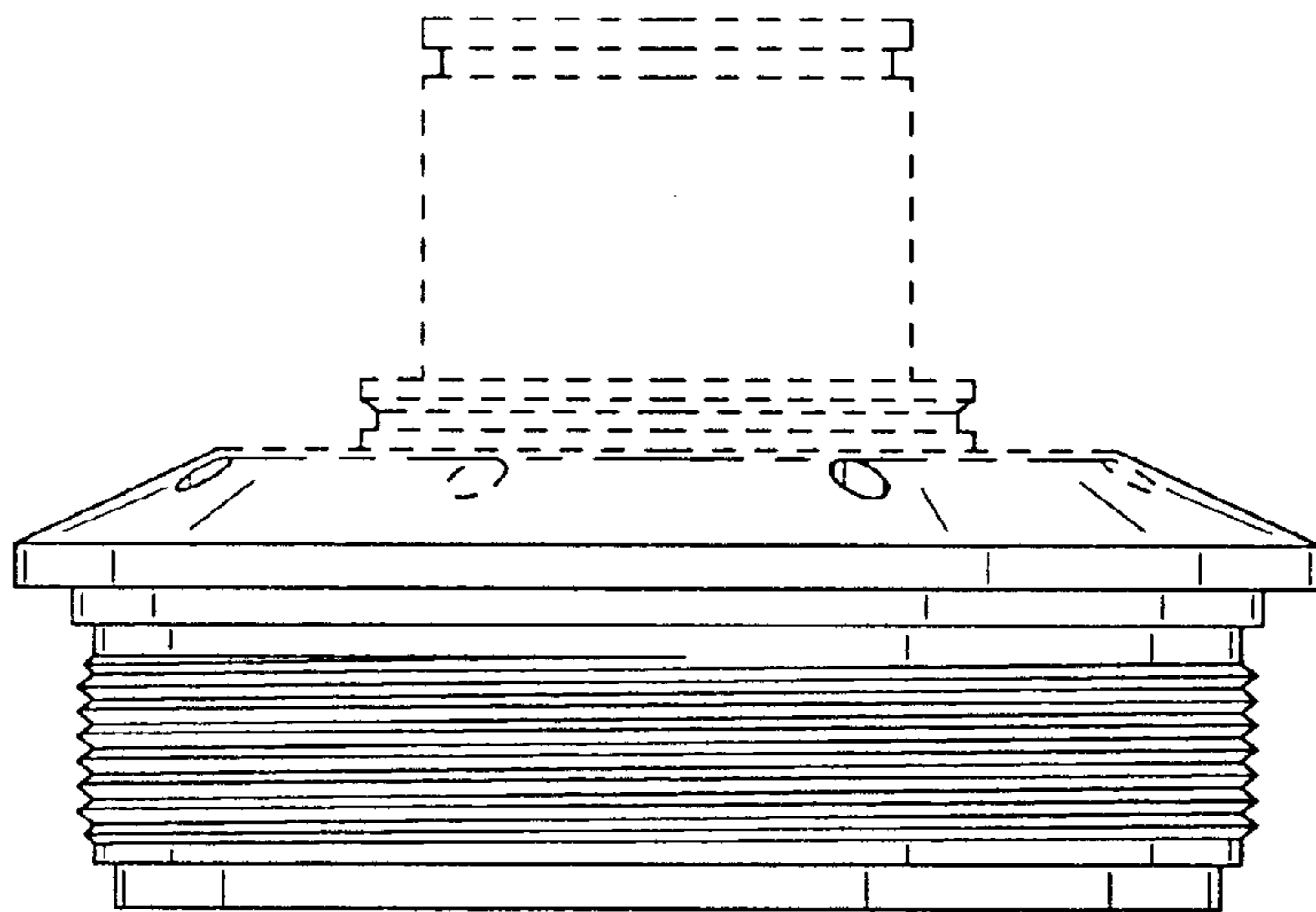


FIG. 4

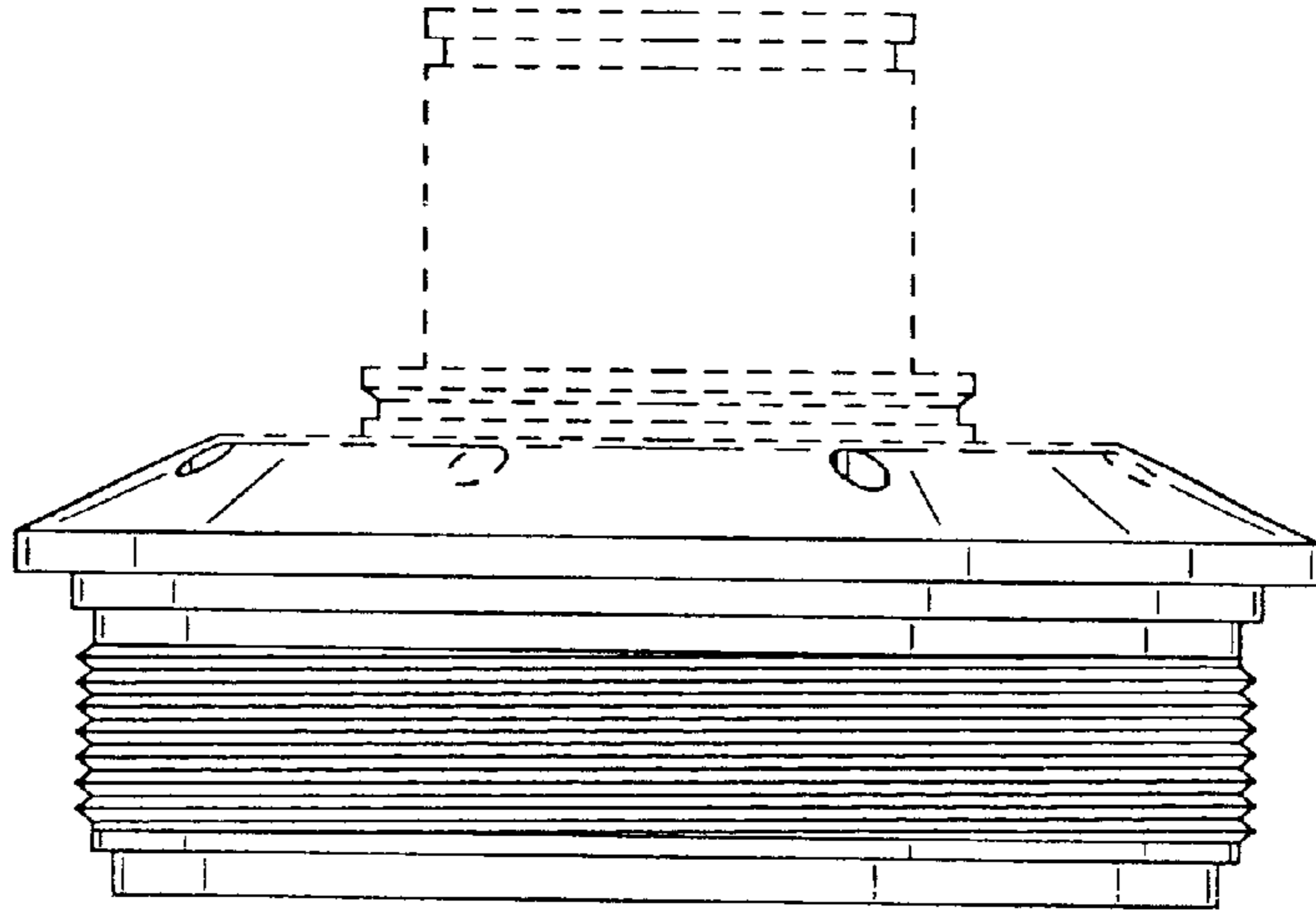


FIG. 5

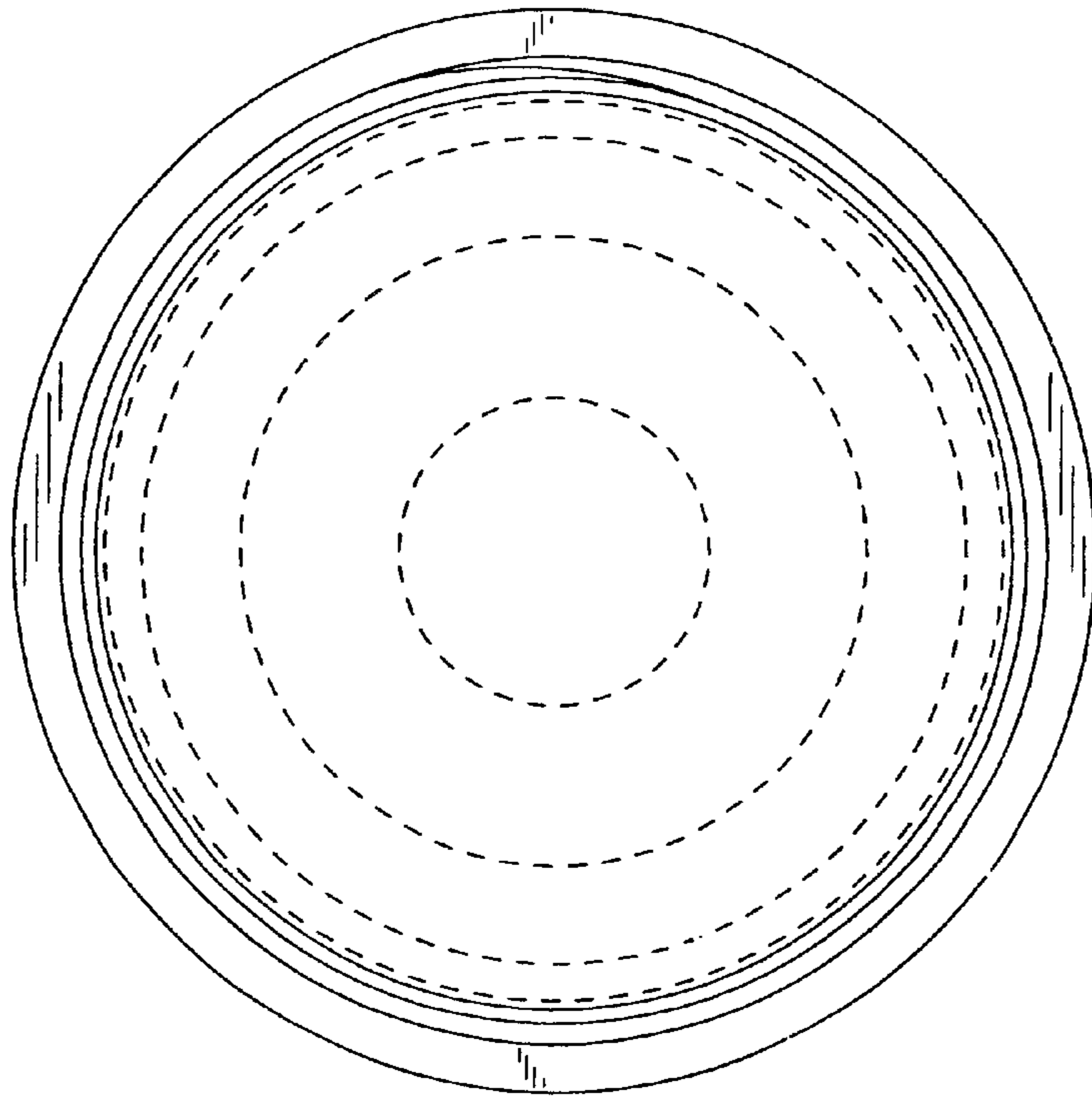


FIG. 6



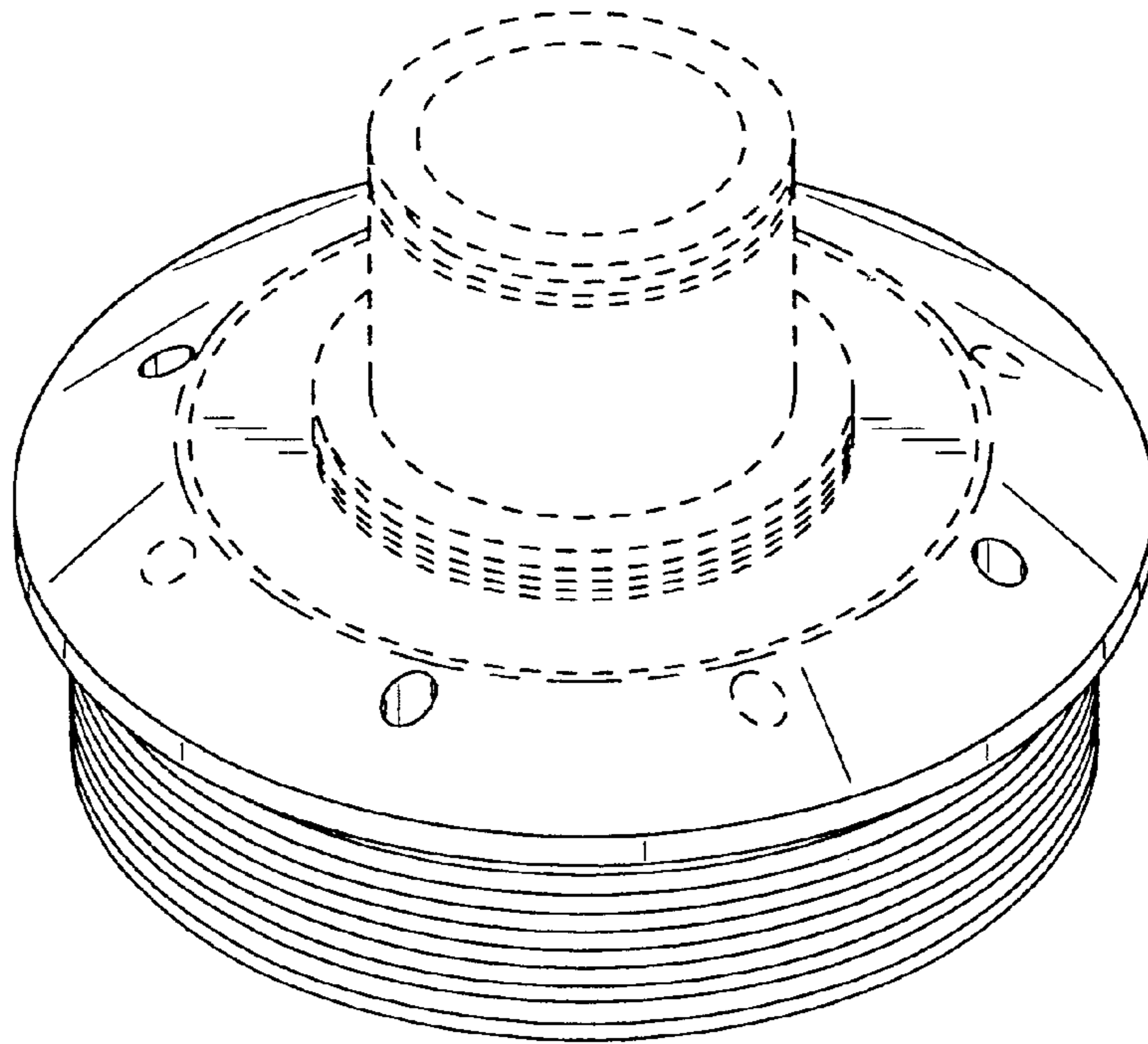


FIG. 7

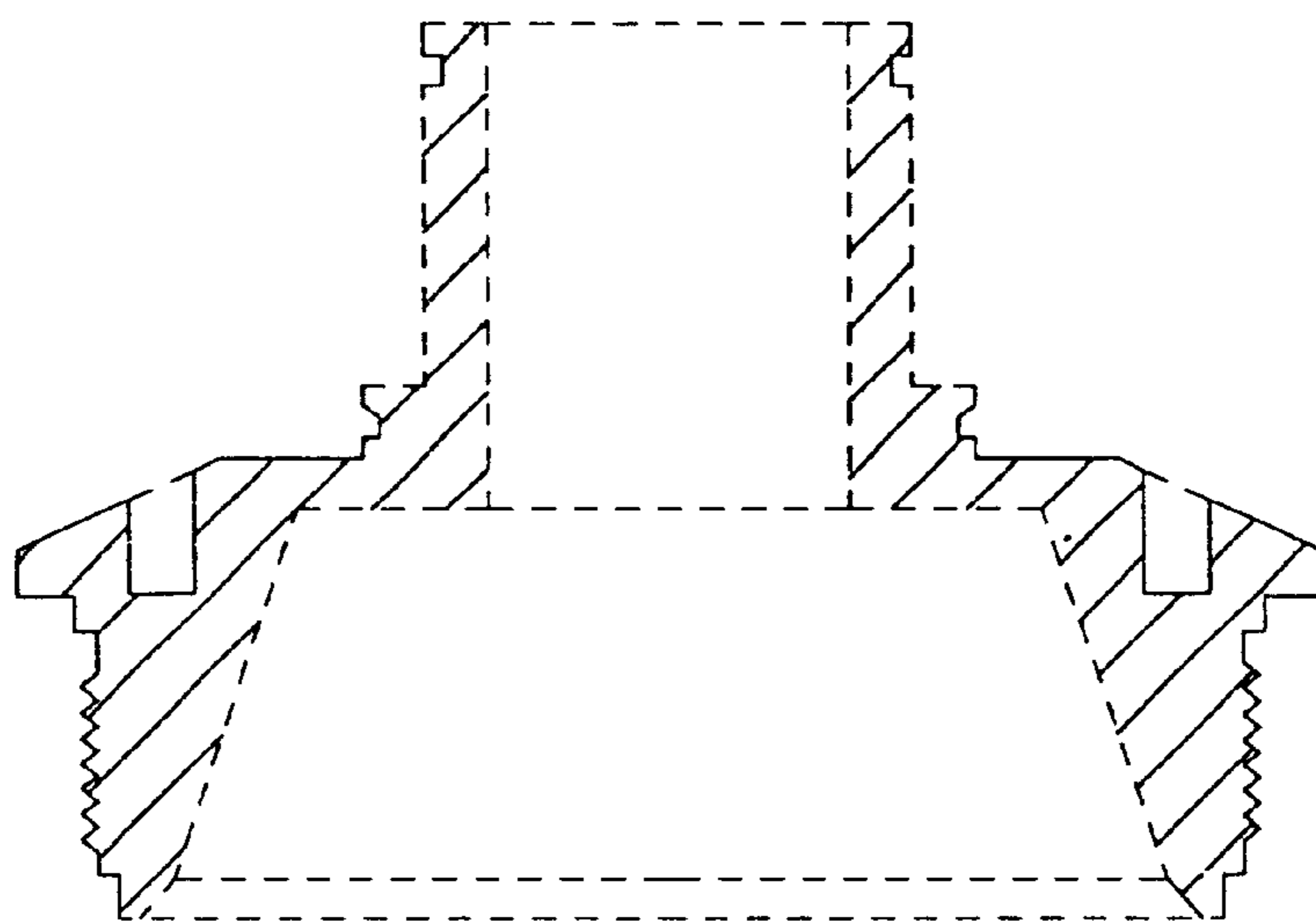


FIG. 8

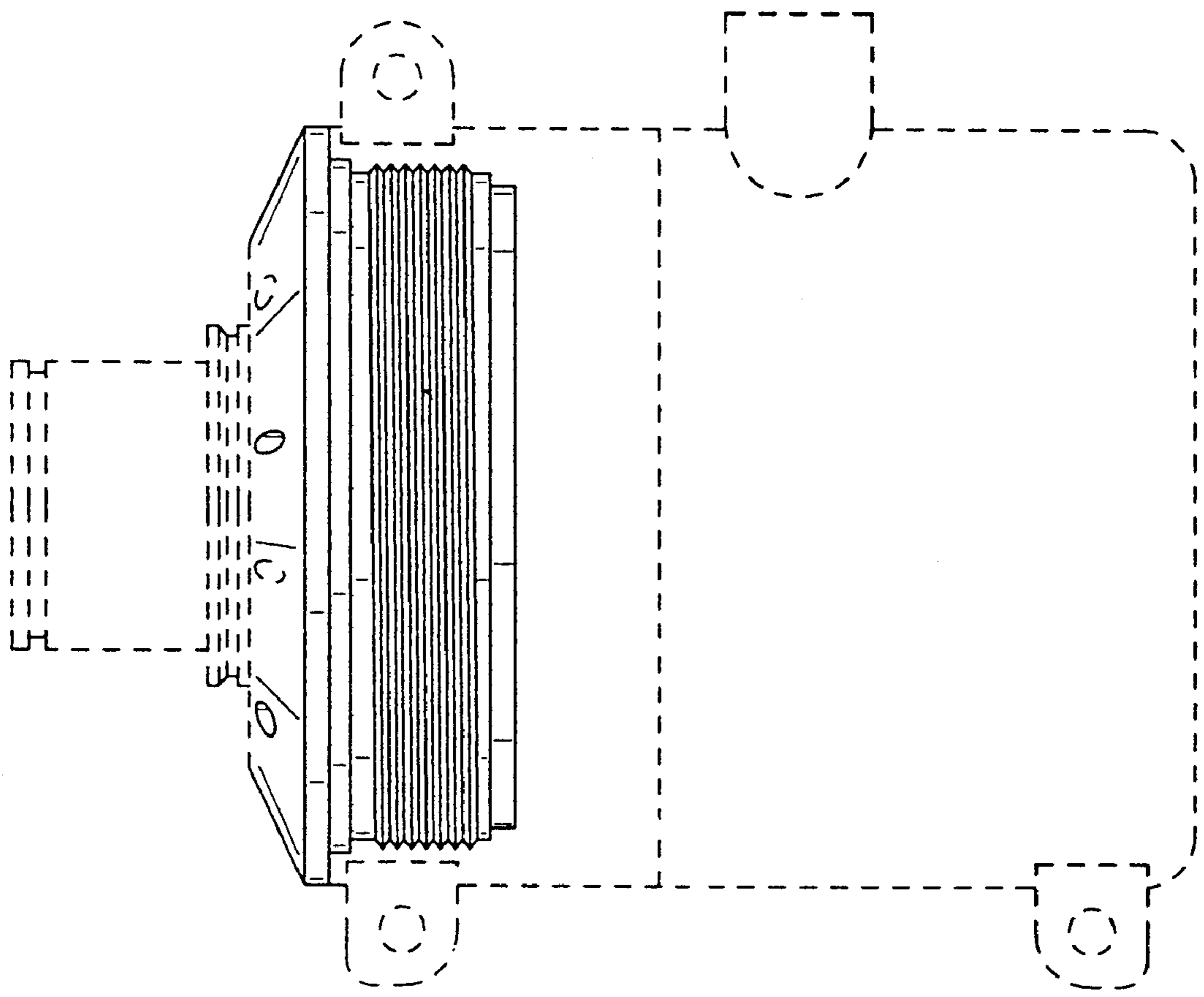


FIG. 9

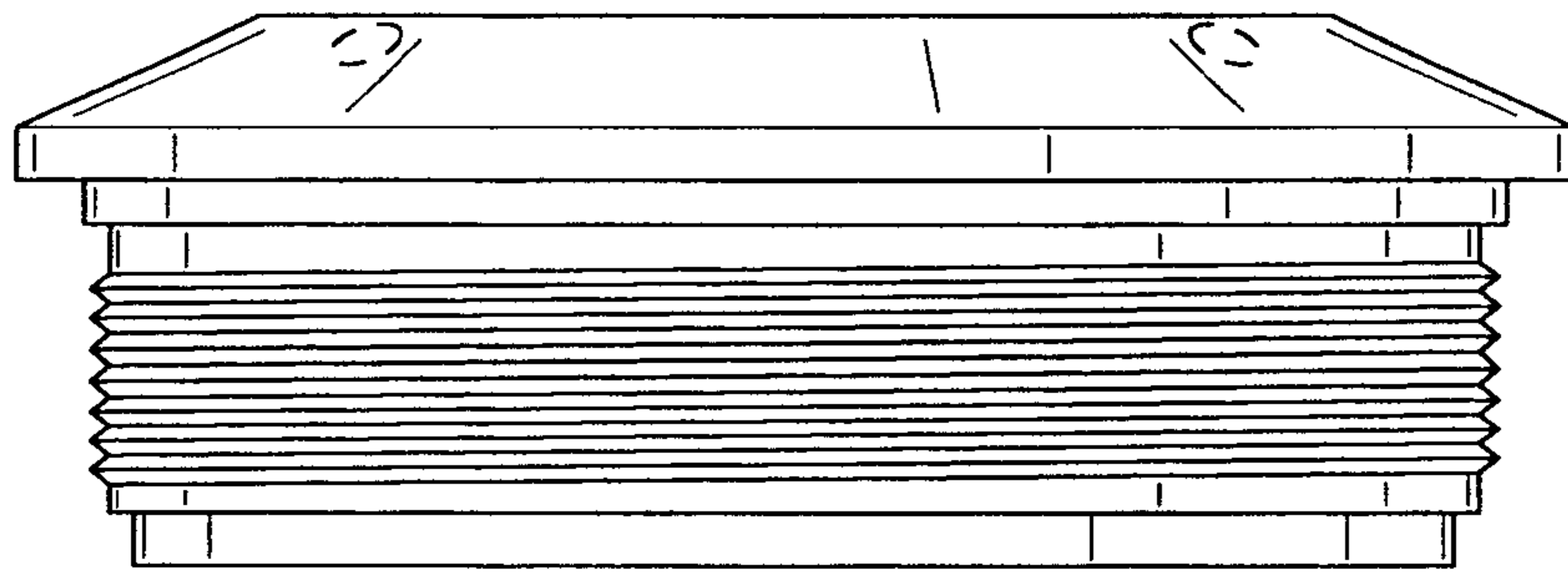


FIG. 10

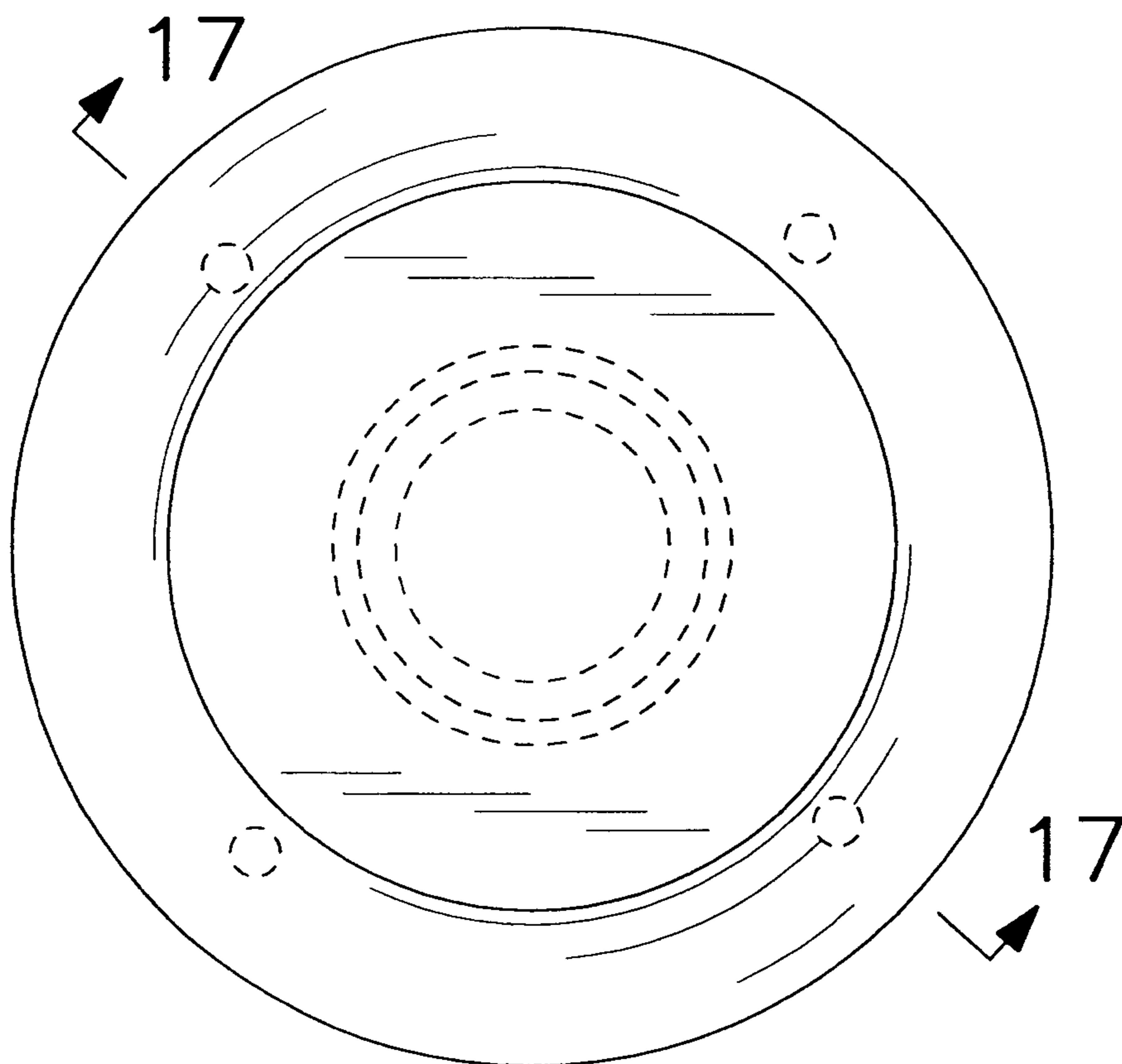


FIG. 11

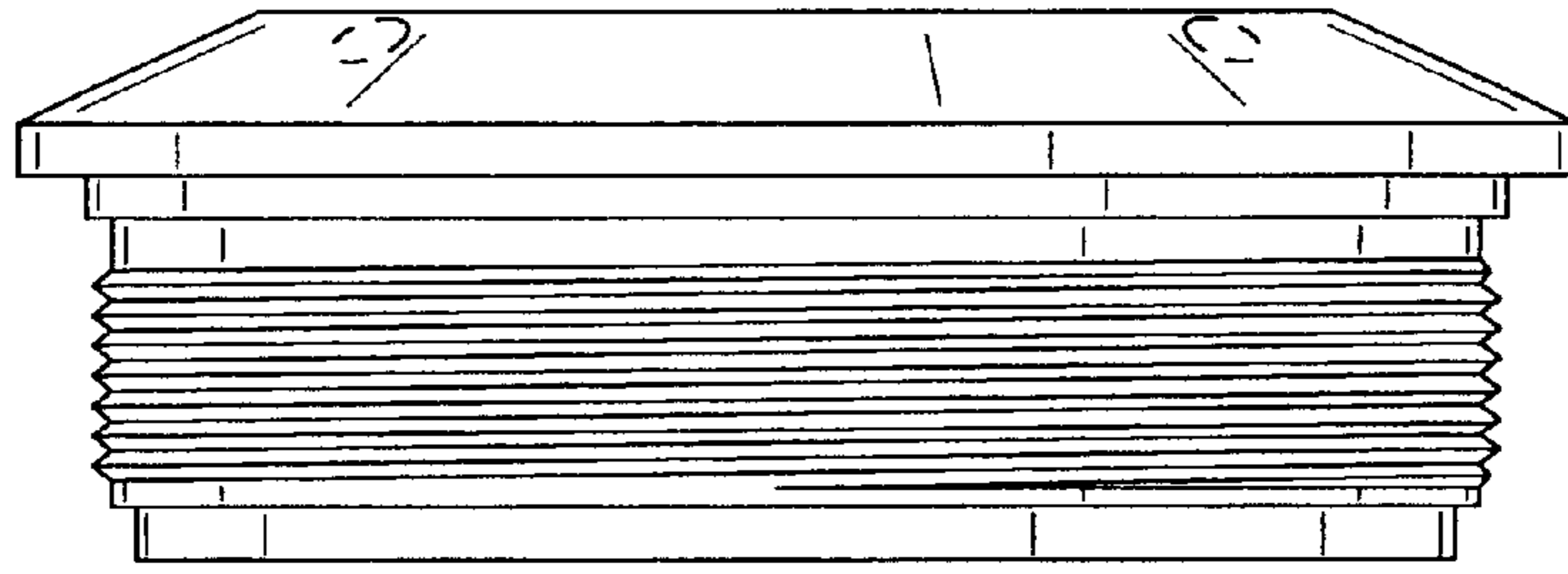


FIG. 12

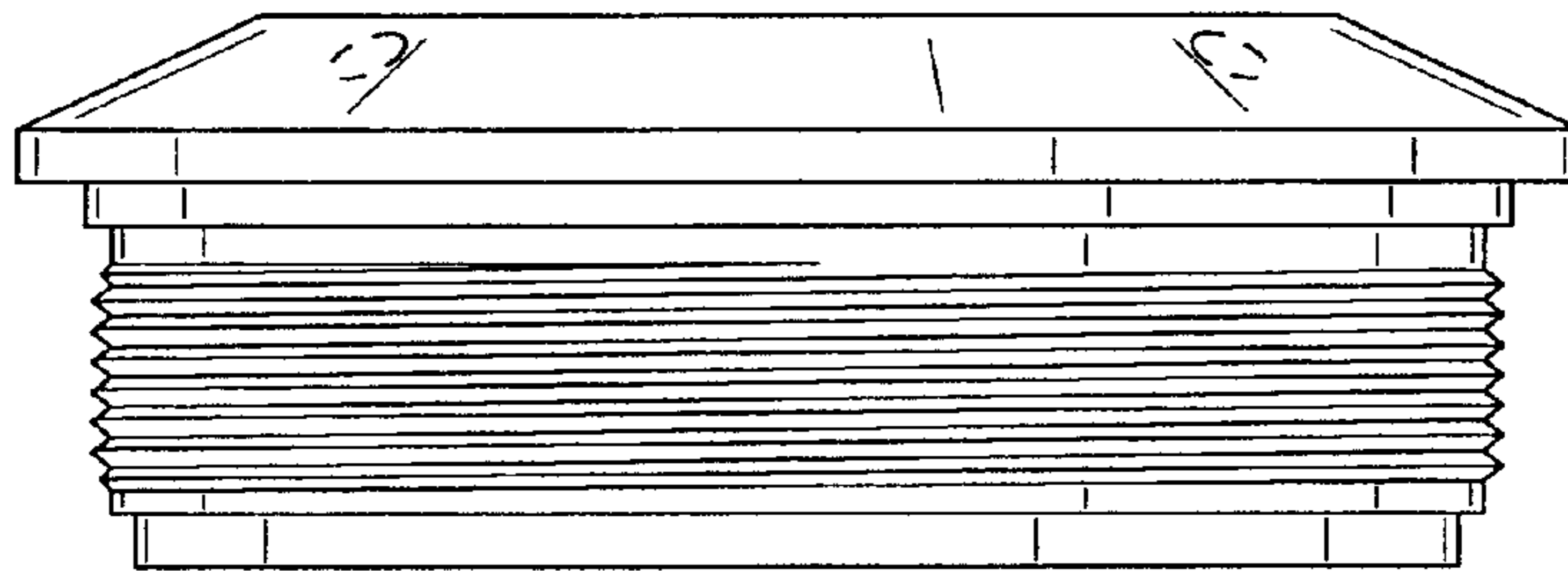


FIG. 13

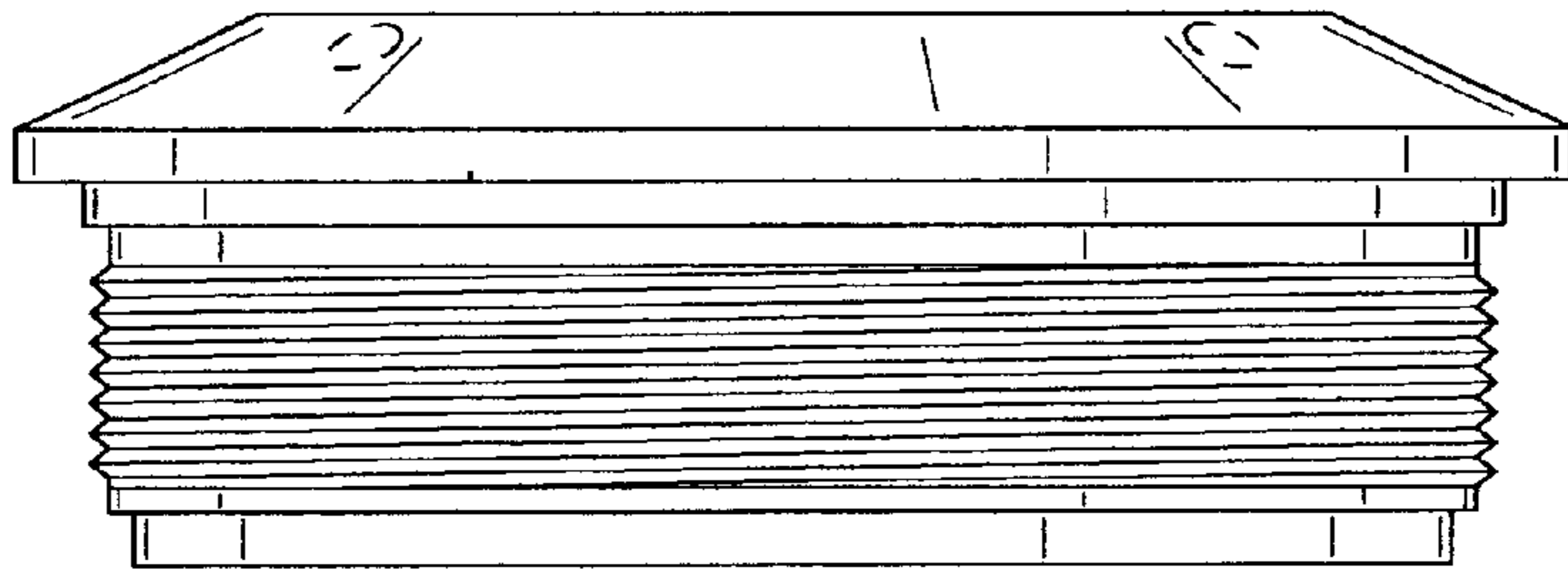


FIG. 14



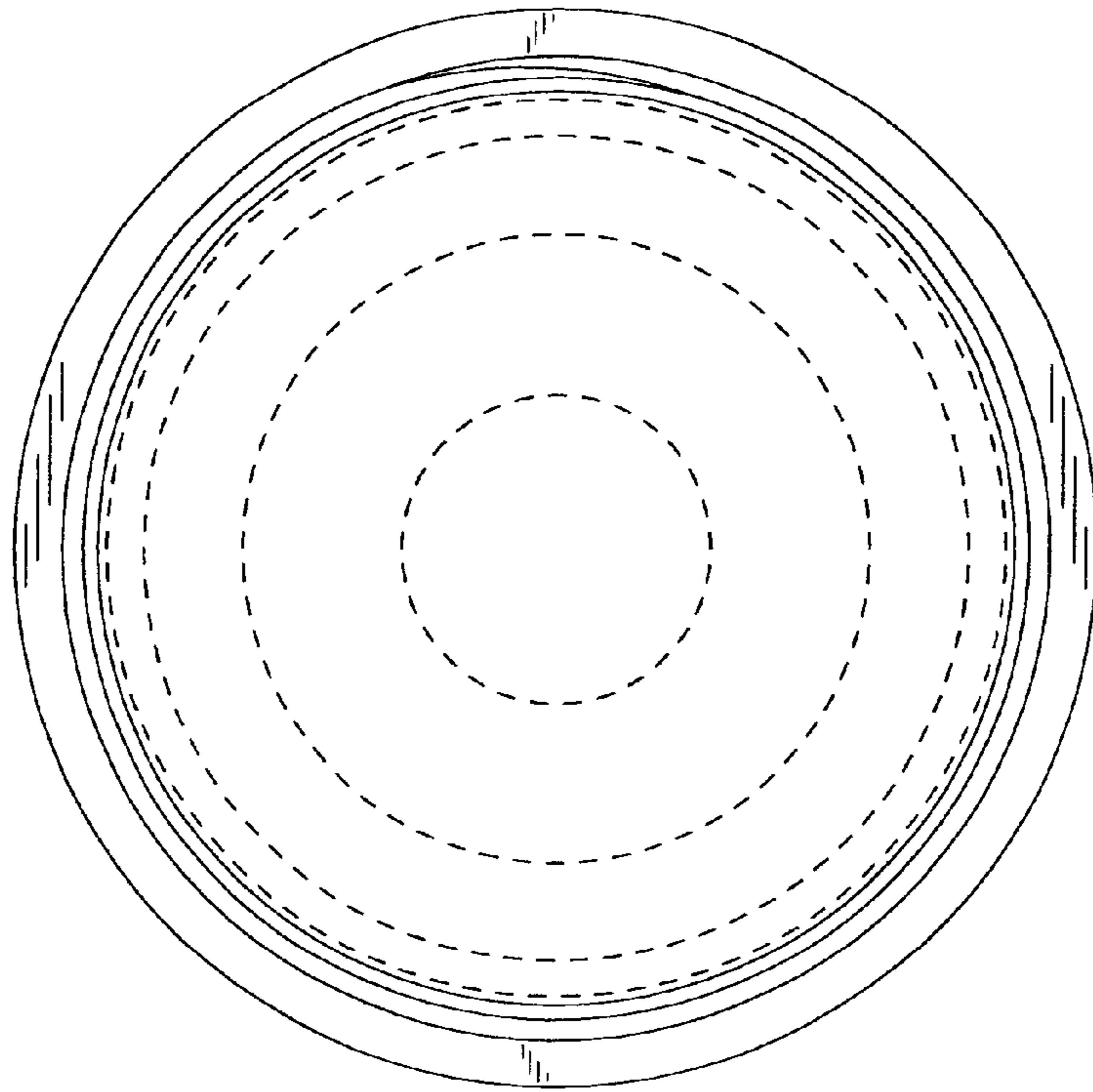


FIG. 15

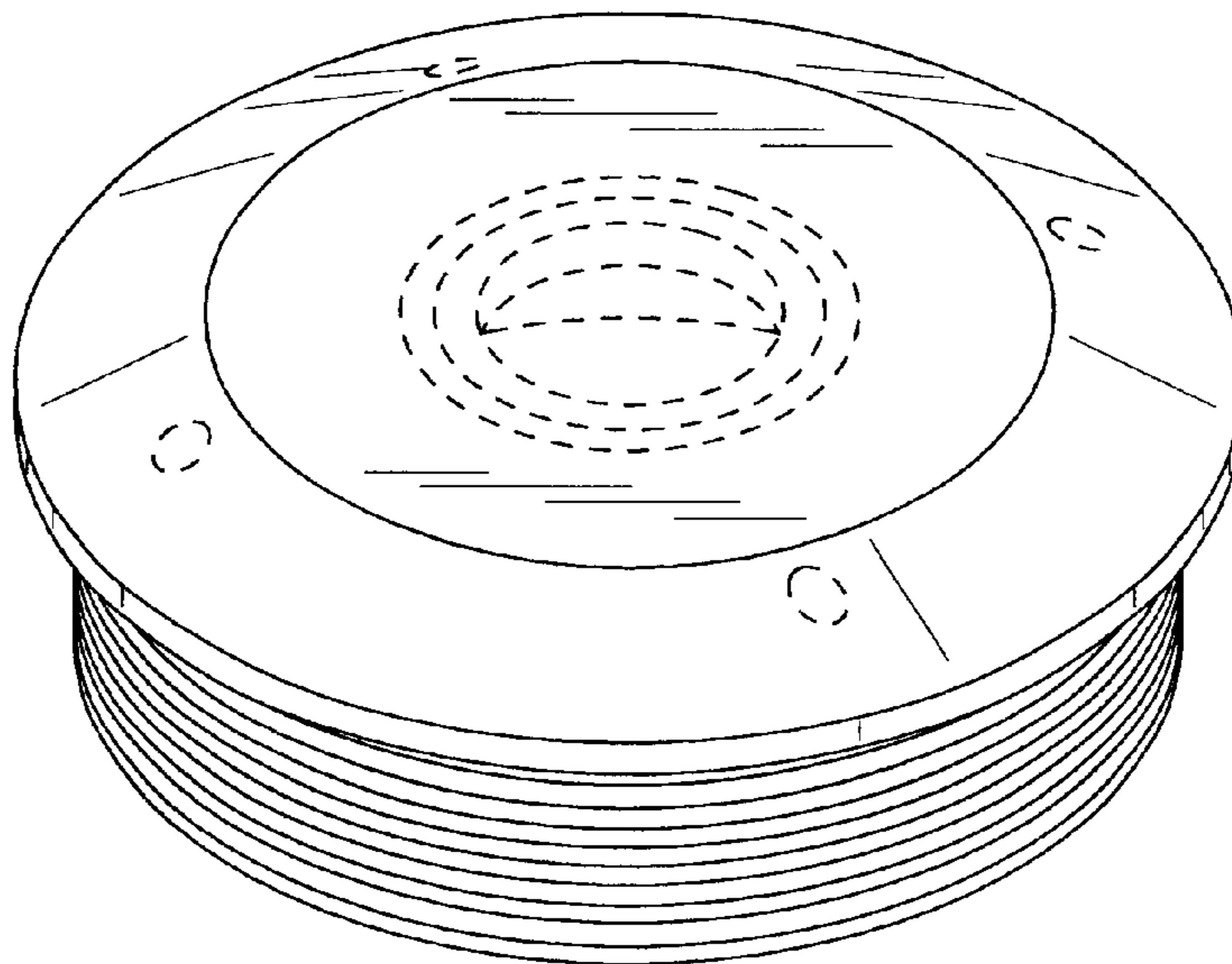


FIG. 16

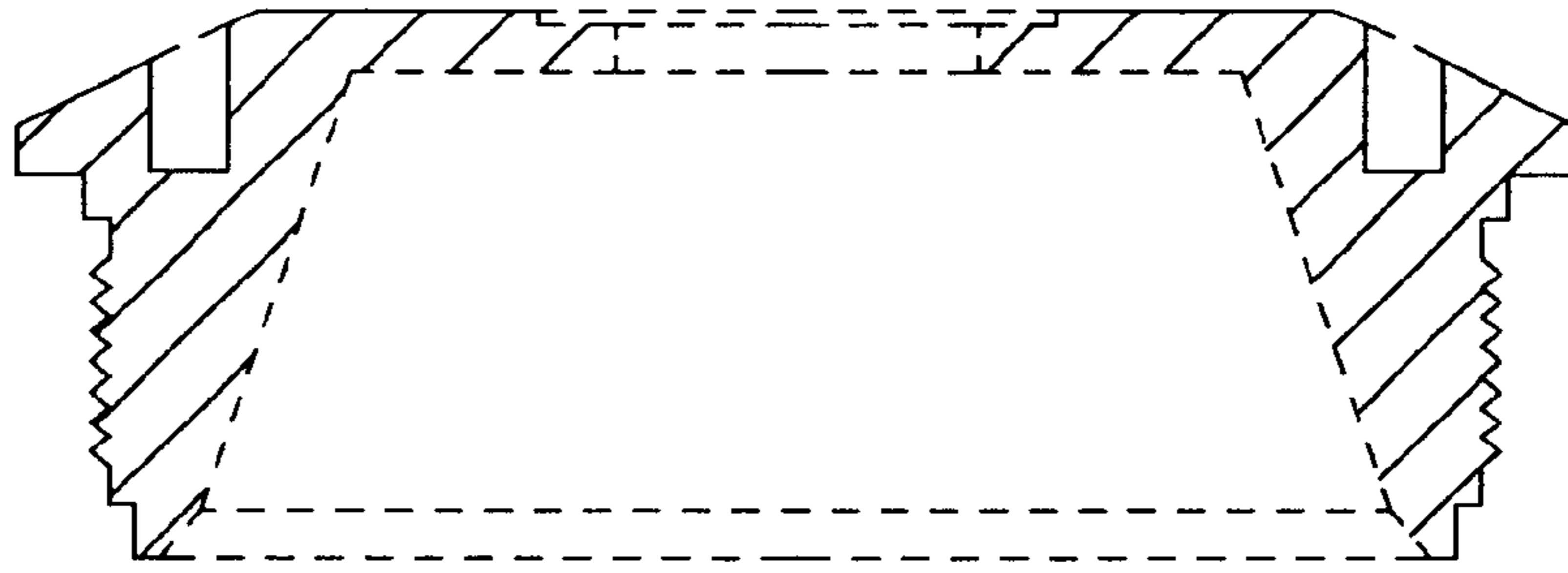


FIG. 17

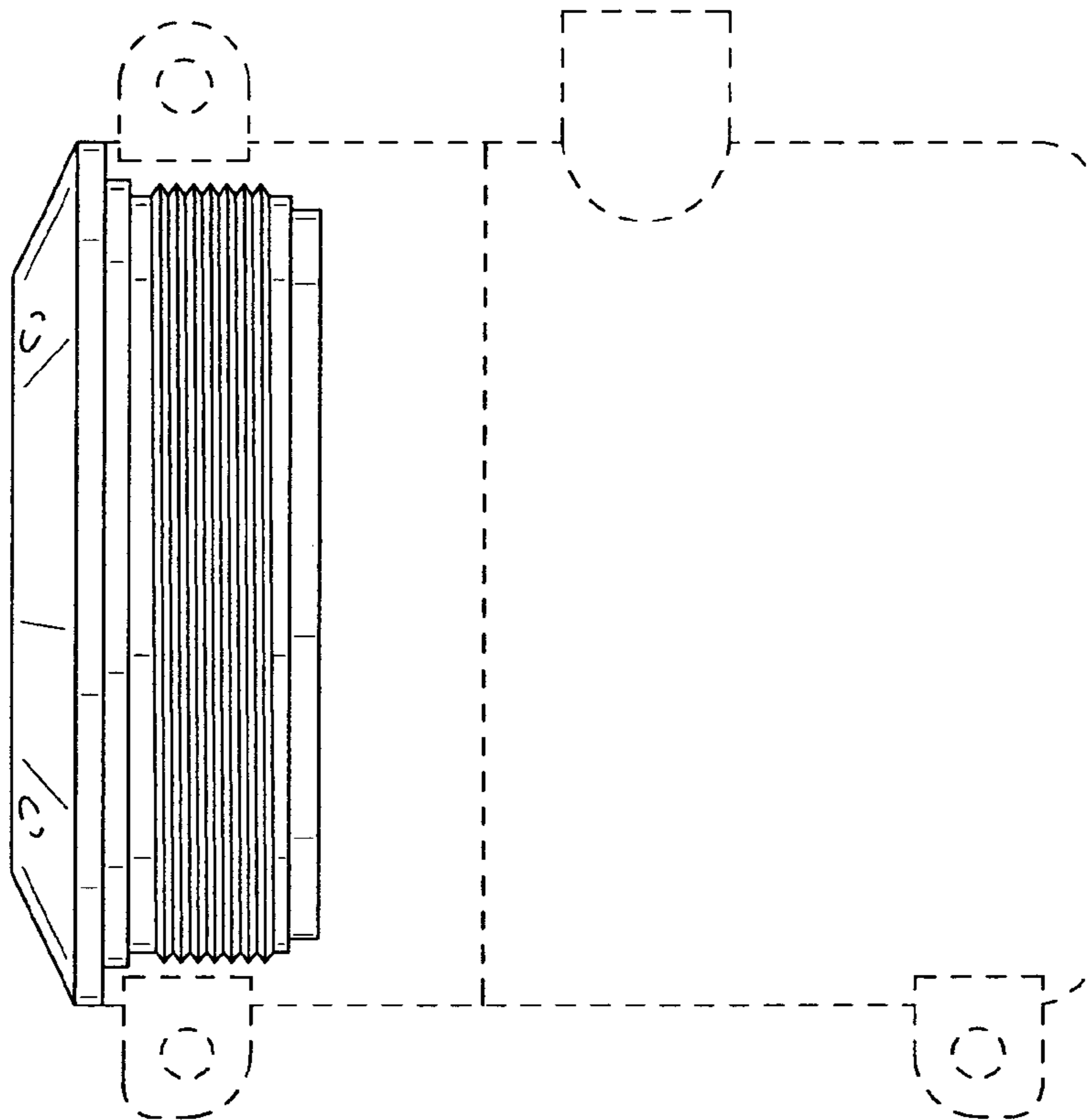


FIG. 18