



US00D469110S

(12) **United States Design Patent**
Tseng

(10) **Patent No.:** **US D469,110 S**

(45) **Date of Patent:** **** Jan. 21, 2003**

(54) **OIL PUMPING DEVICE**

(76) Inventor: **Tien Tsai Tseng**, No. 771, Lin Sen Road, Wu Feng Hsiang, Taichung Hsien (TW)

(**) Term: **14 Years**

(21) Appl. No.: **29/146,454**

(22) Filed: **Aug. 10, 2001**

(51) **LOC (7) Cl.** **15-02**

(52) **U.S. Cl.** **D15/7**

(58) **Field of Search** D15/7-9.1; 417/374, 417/234, 410.1, 410.3; 184/1.5; 137/207

(56) **References Cited**

U.S. PATENT DOCUMENTS

2,635,550	A	*	4/1953	Granberg	417/234
D263,050	S	*	2/1982	Chang	D15/7
D293,912	S	*	1/1988	Wilgus et al.	D15/7
D293,913	S	*	1/1988	Wilgus et al.	D15/7
D328,303	S	*	7/1992	Griffith et al.	D15/5
5,207,562	A	*	5/1993	Neibrook et al.	417/234
D441,376	S	*	5/2001	Gohil et al.	D15/7

D446,220	S	*	8/2001	Boughton et al.	D15/7
D449,310	S	*	10/2001	Agresta et al.	D15/7
6,321,874	B1	*	11/2001	Miyamoto	184/1.5
6,328,132	B1	*	12/2001	Zager	185/1.5
D453,775	S	*	2/2002	Chou	D15/7

* cited by examiner

Primary Examiner—Ralf Seifert

(74) *Attorney, Agent, or Firm*—Rosenberg, Klein & Lee

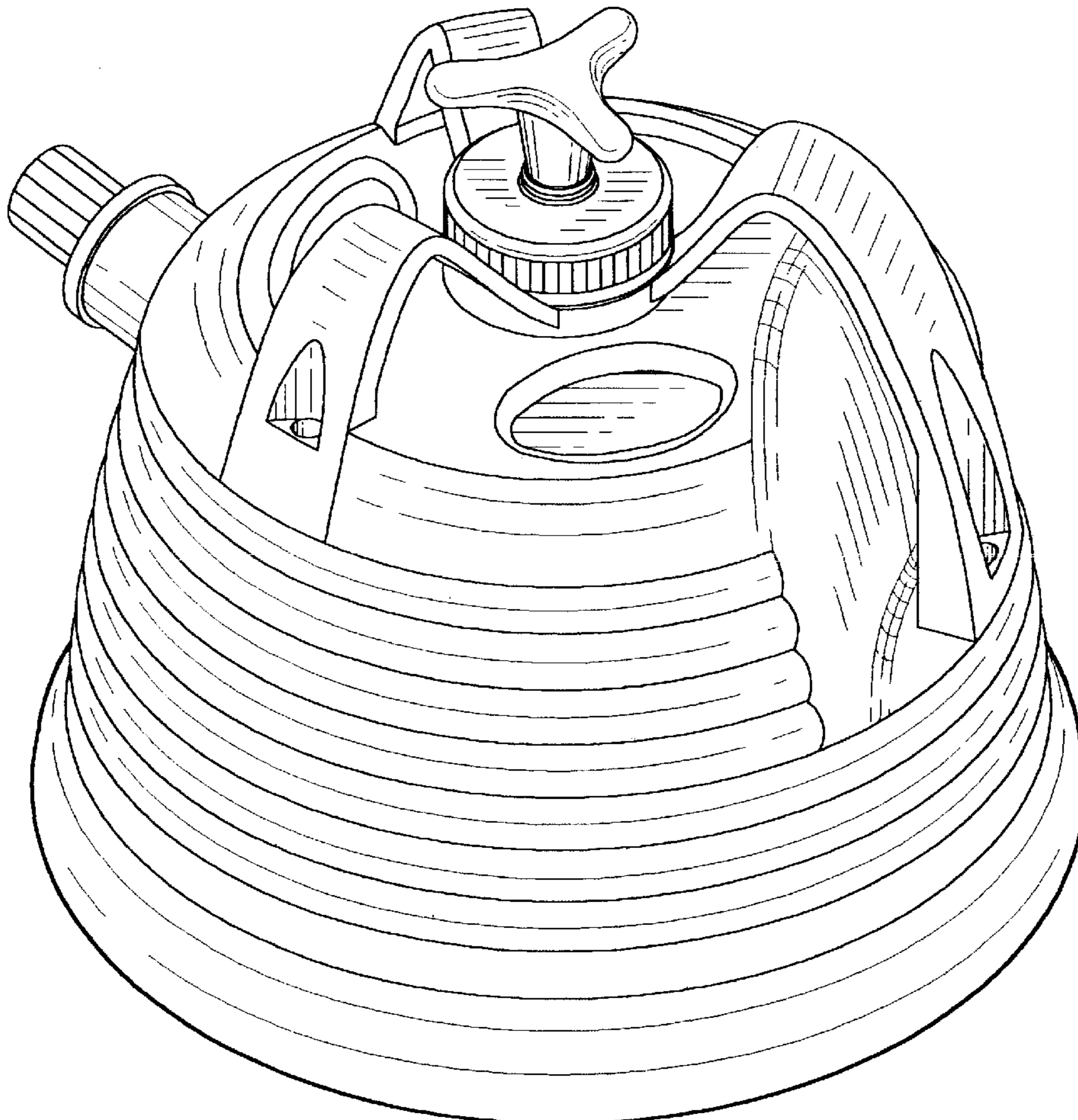
(57) **CLAIM**

The ornamental design for an oil pumping device, as shown and as described.

DESCRIPTION

FIG. 1 is a perspective view of an oil pumping device showing my design;
FIG. 2 is a front side view therefore;
FIG. 3 is a rear side view therefore;
FIG. 4 is a left side view thereof;
FIG. 5 is a right side view thereof;
FIG. 6 is a top view thereof; and,
FIG. 7 is a bottom view thereof.

1 Claim, 7 Drawing Sheets



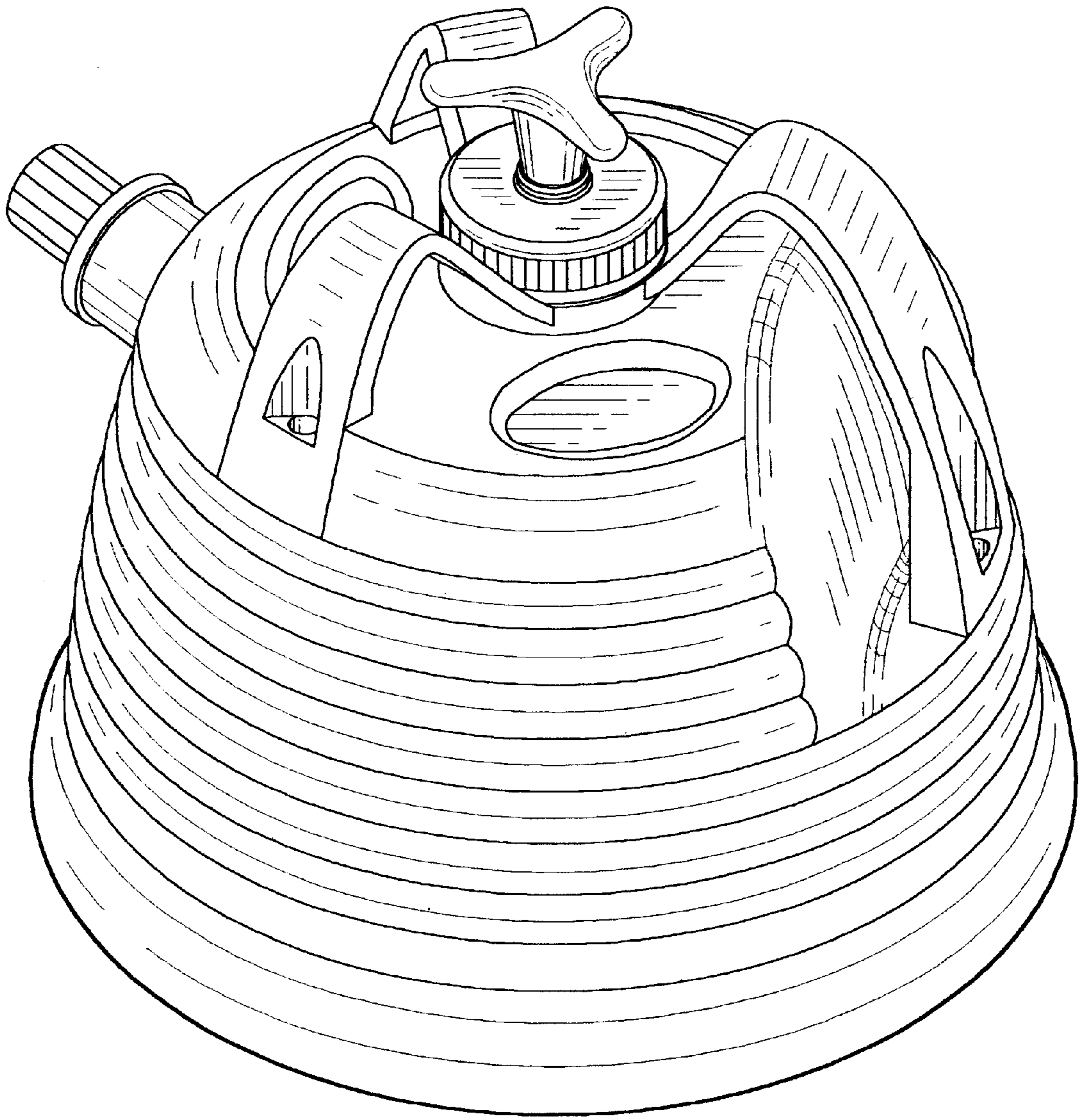


FIG. 1

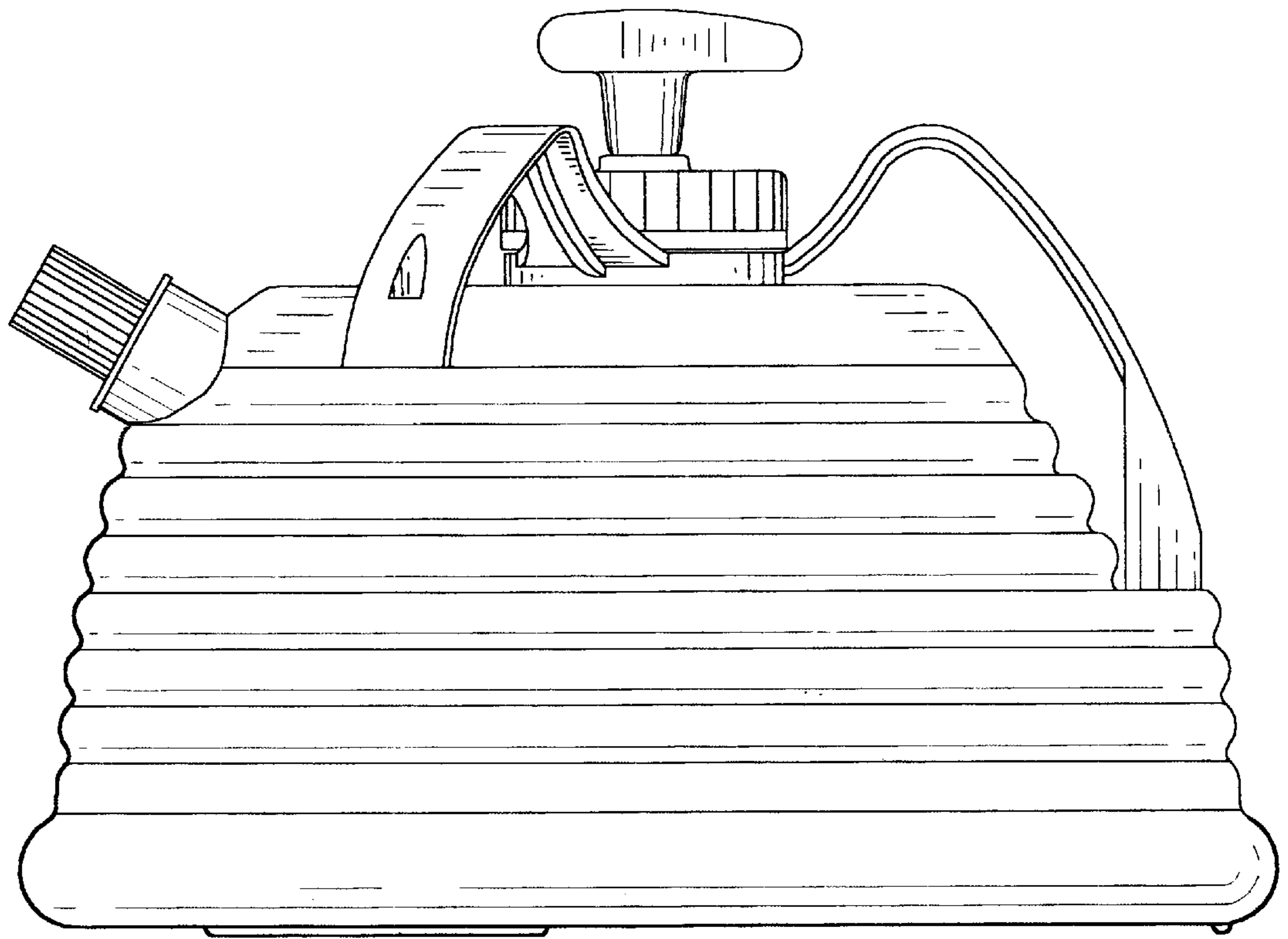


FIG. 2

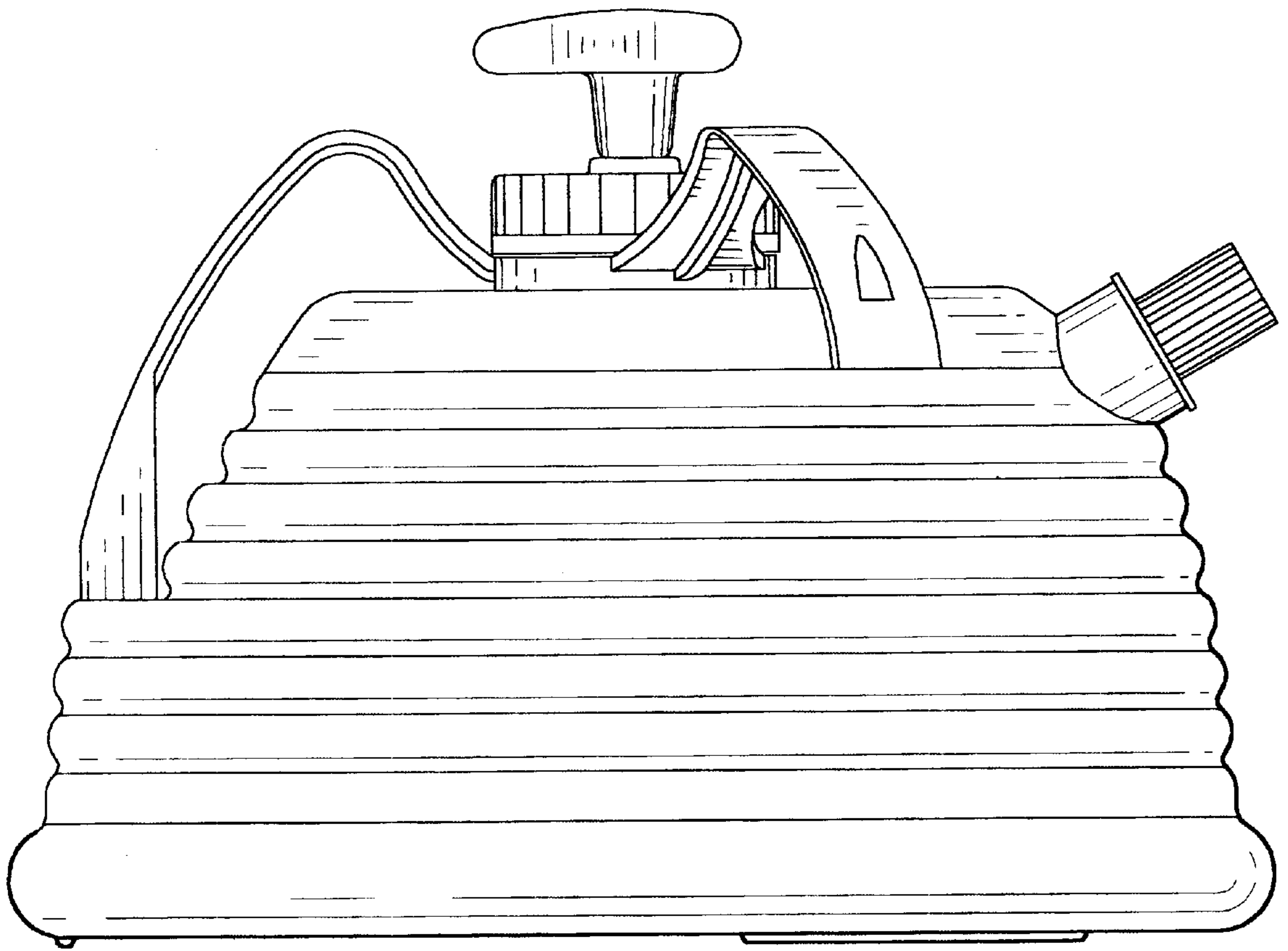


FIG. 3

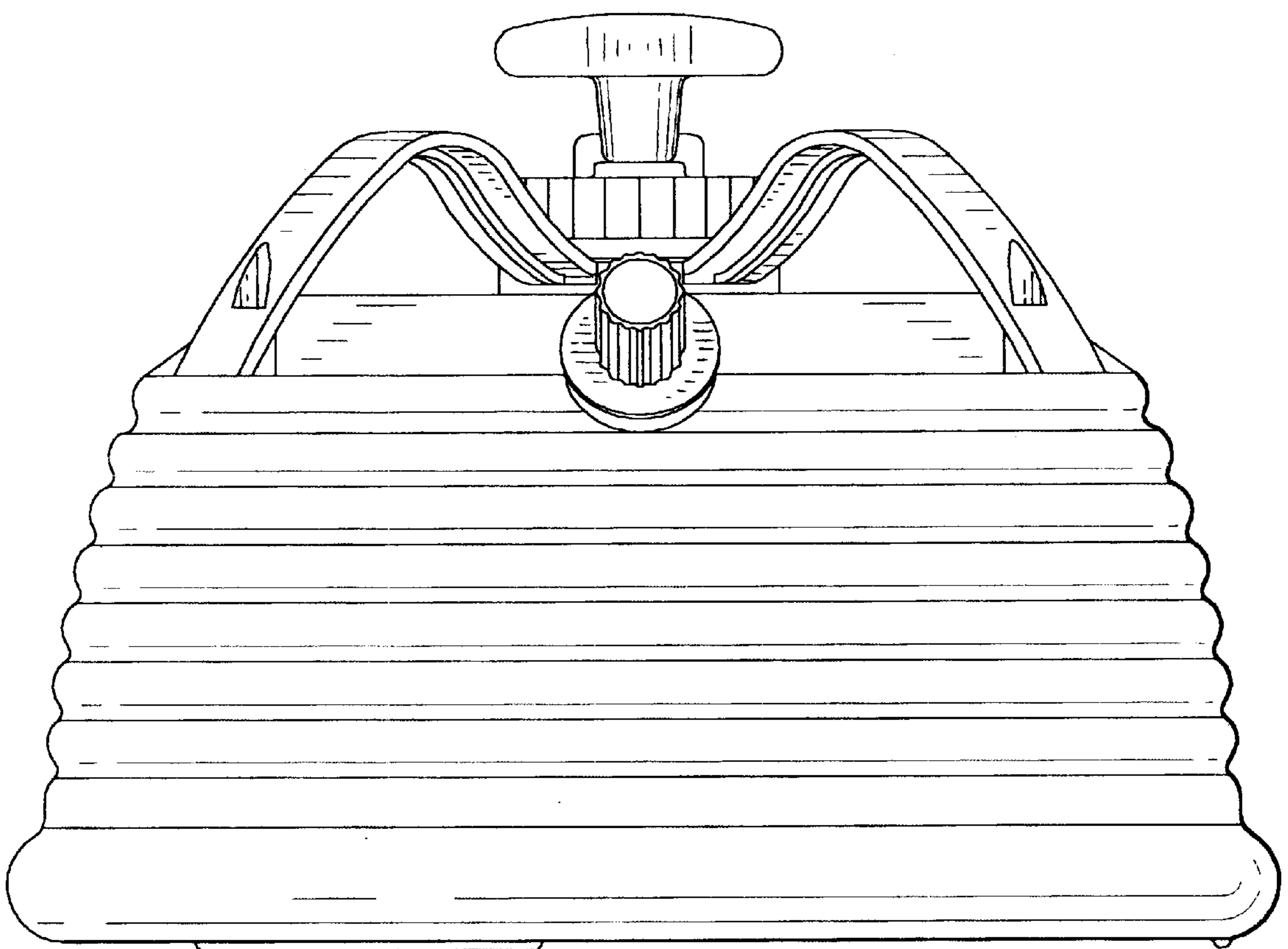


FIG. 4

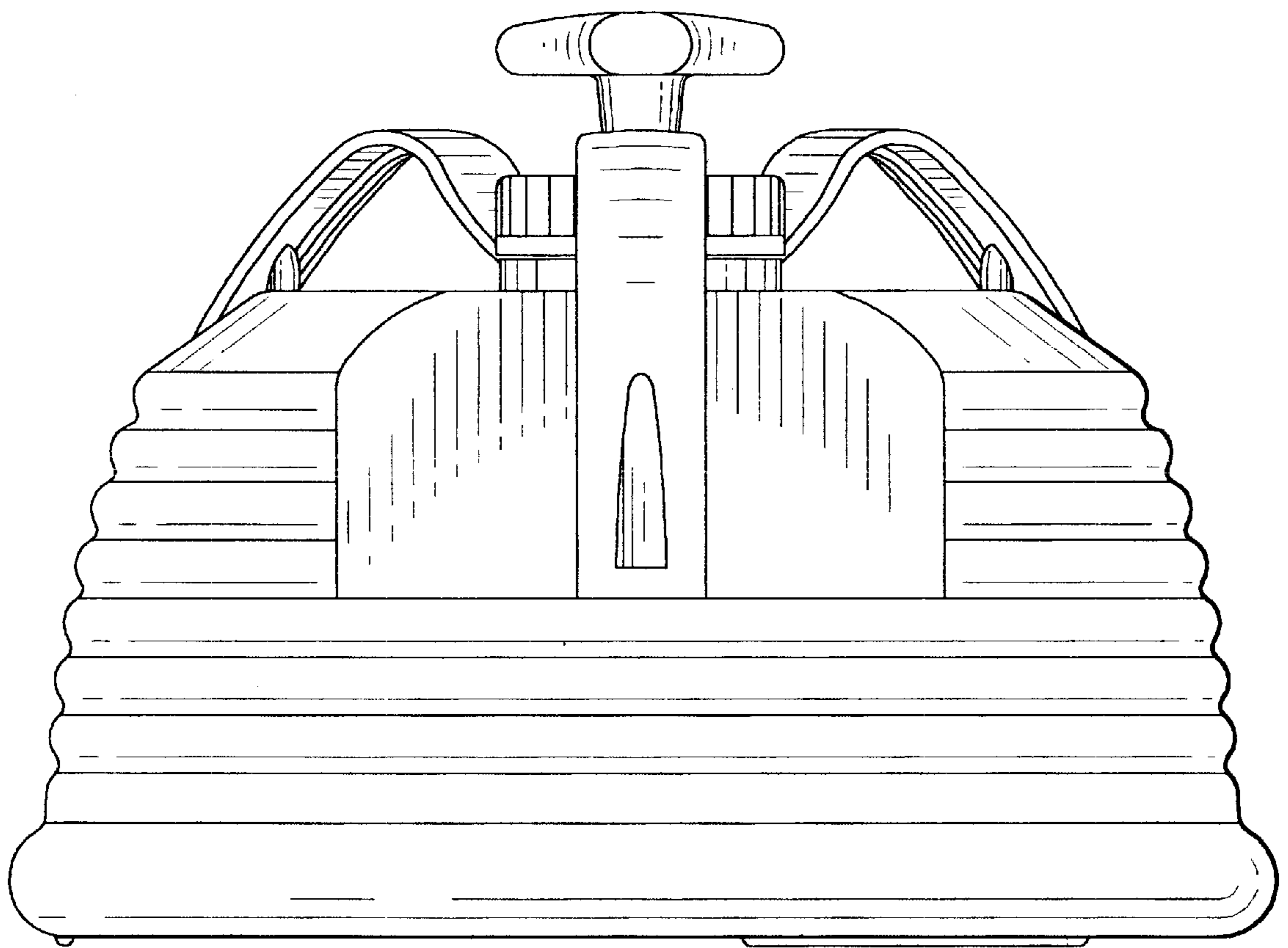


FIG. 5

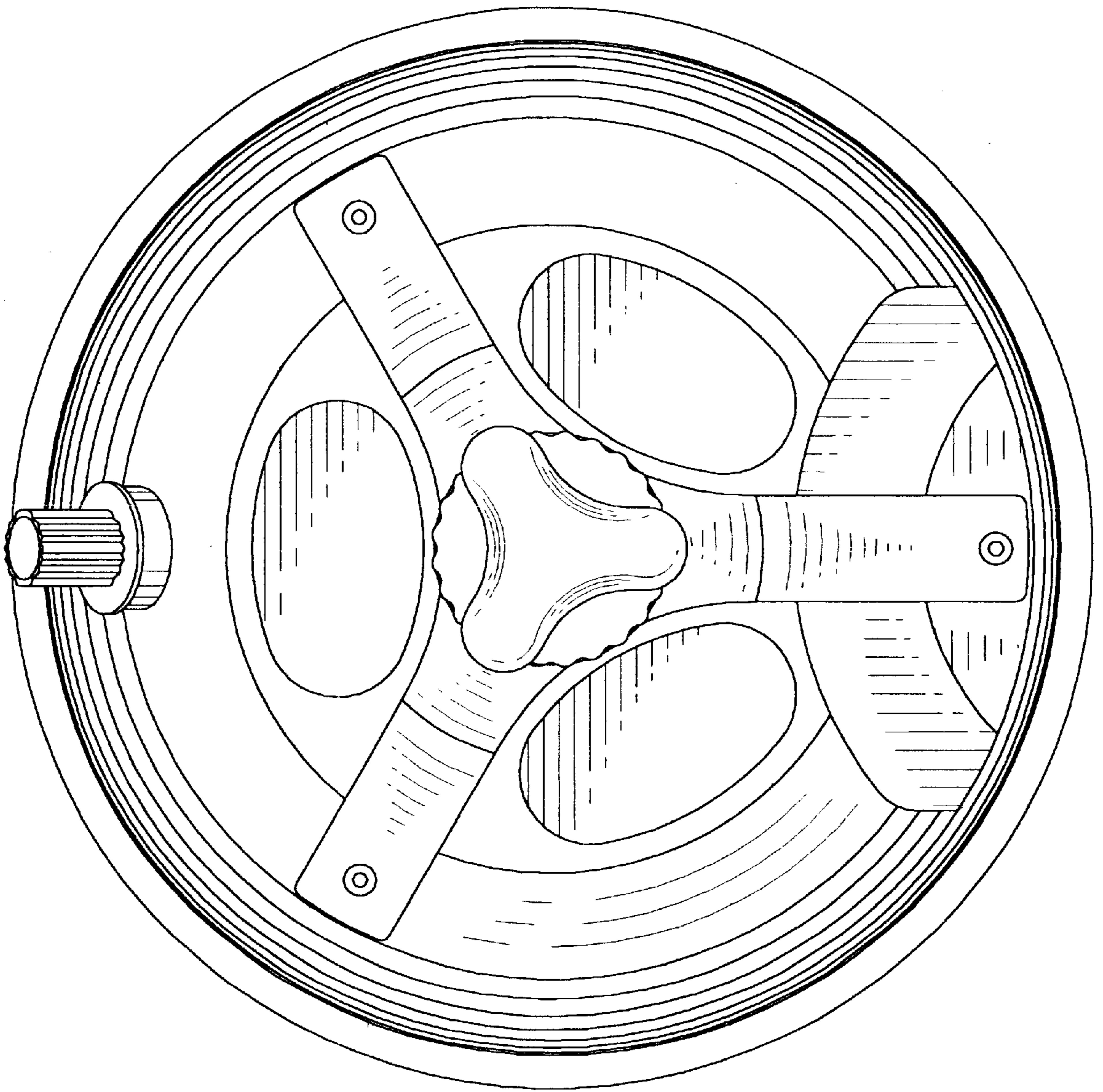


FIG. 6

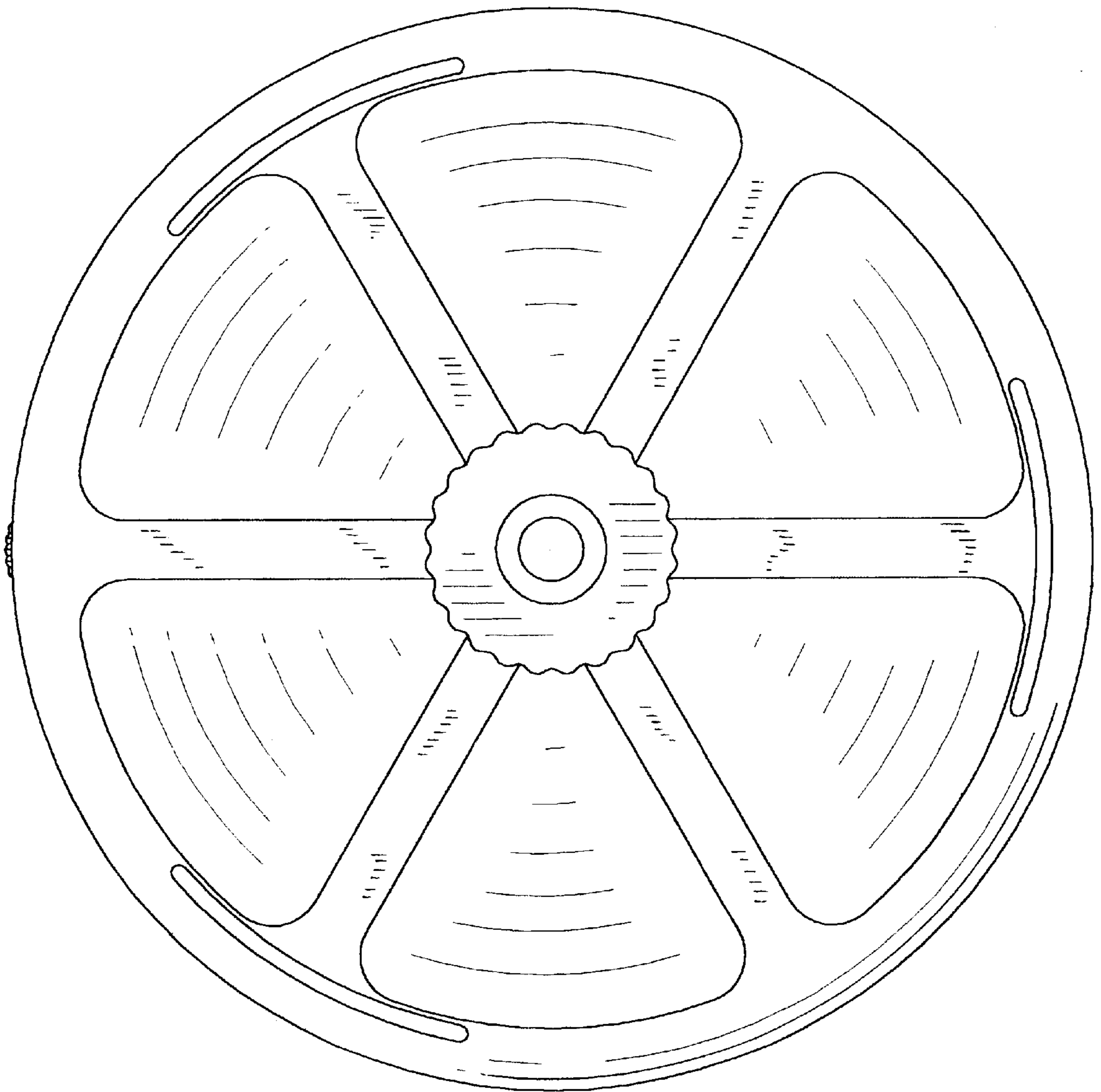


FIG. 7