



US00D469105S

(12) **United States Design Patent**
Hammerquist et al.

(10) **Patent No.:** **US D469,105 S**

(45) **Date of Patent:** **** Jan. 21, 2003**

(54) **USER INTERFACE FOR A TELEVISION
DISPLAY SCREEN**

(75) Inventors: **Julie A. Hammerquist**, Kirkland, WA
(US); **Travis C. Johnson**, Edmonds,
WA (US); **Deborah E. Ro**, Seattle, WA
(US); **Kerry Ryan Simmons**, Seattle,
WA (US); **Lisa M. Wilkins**, Seattle,
WA (US)

(73) Assignee: **Digeo, Inc.**, Kirkland, WA (US)

(**) Term: **14 Years**

(21) Appl. No.: **29/144,018**

(22) Filed: **Jun. 22, 2001**

(51) **LOC (7) Cl.** **14-02**

(52) **U.S. Cl.** **D14/486**

(58) **Field of Search** D14/485-95; D18/24-33;
D19/6; D20/11; D21/324-33; 345/700-26,
764-862

(56) **References Cited**

U.S. PATENT DOCUMENTS

D427,202 S * 6/2000 Chatfield et al.

D437,858 S * 2/2001 Yasui et al.

D444,793 S * 7/2001 Richter

D445,801 S * 7/2001 Ma

D450,324 S * 11/2001 Istvan et al.

D454,355 S * 3/2002 Yoshioka

* cited by examiner

Primary Examiner—M. H. Tung

(74) *Attorney, Agent, or Firm*—Kory D. Christensen; Stoel
Rives LLP

(57) **CLAIM**

The ornamental design for a user interface for a television
display screen, as shown and described.

DESCRIPTION

FIG. 1 is a front view of a user interface on a television
display screen showing our new design;

FIG. 2 is a front view of a second embodiment thereof;

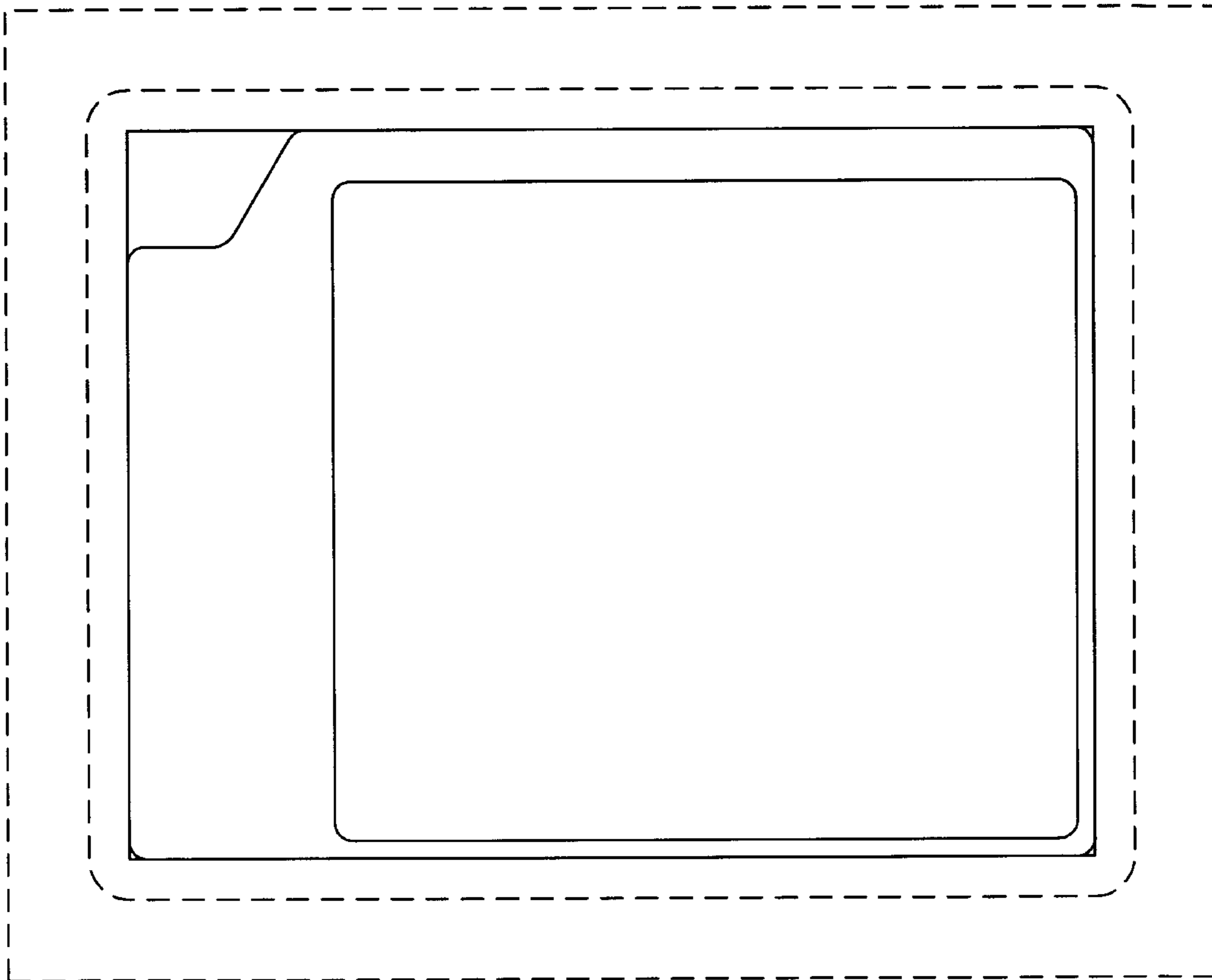
FIG. 3 is a front view of a third embodiment thereof;

FIG. 4 is a front view of a fourth embodiment thereof; and,

FIG. 5 is a front view of a fifth embodiment thereof.

The broken line drawing of a television display screen in all
views is for illustrative purposes only and forms no part of
the claimed design.

1 Claim, 5 Drawing Sheets



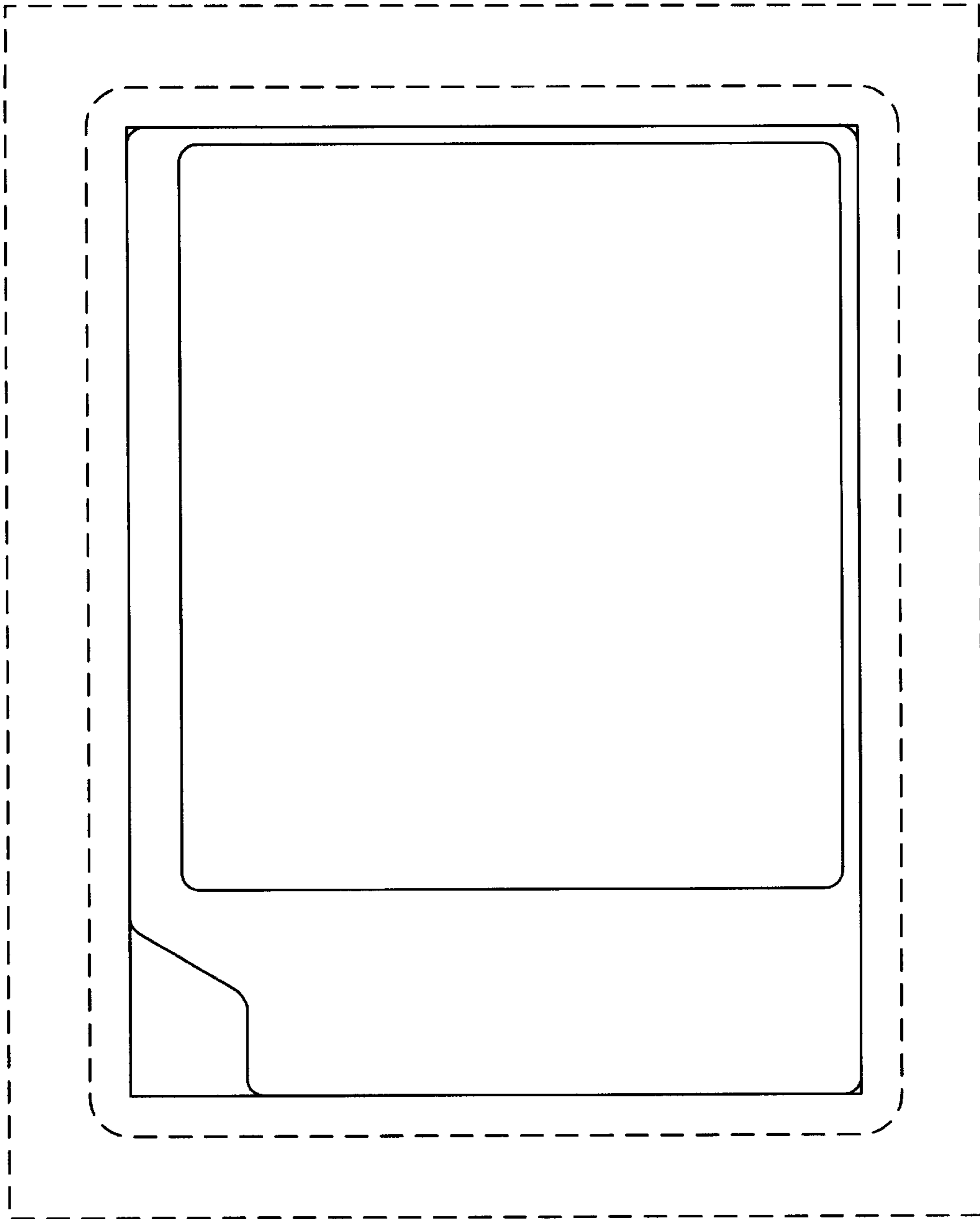


FIG. 1

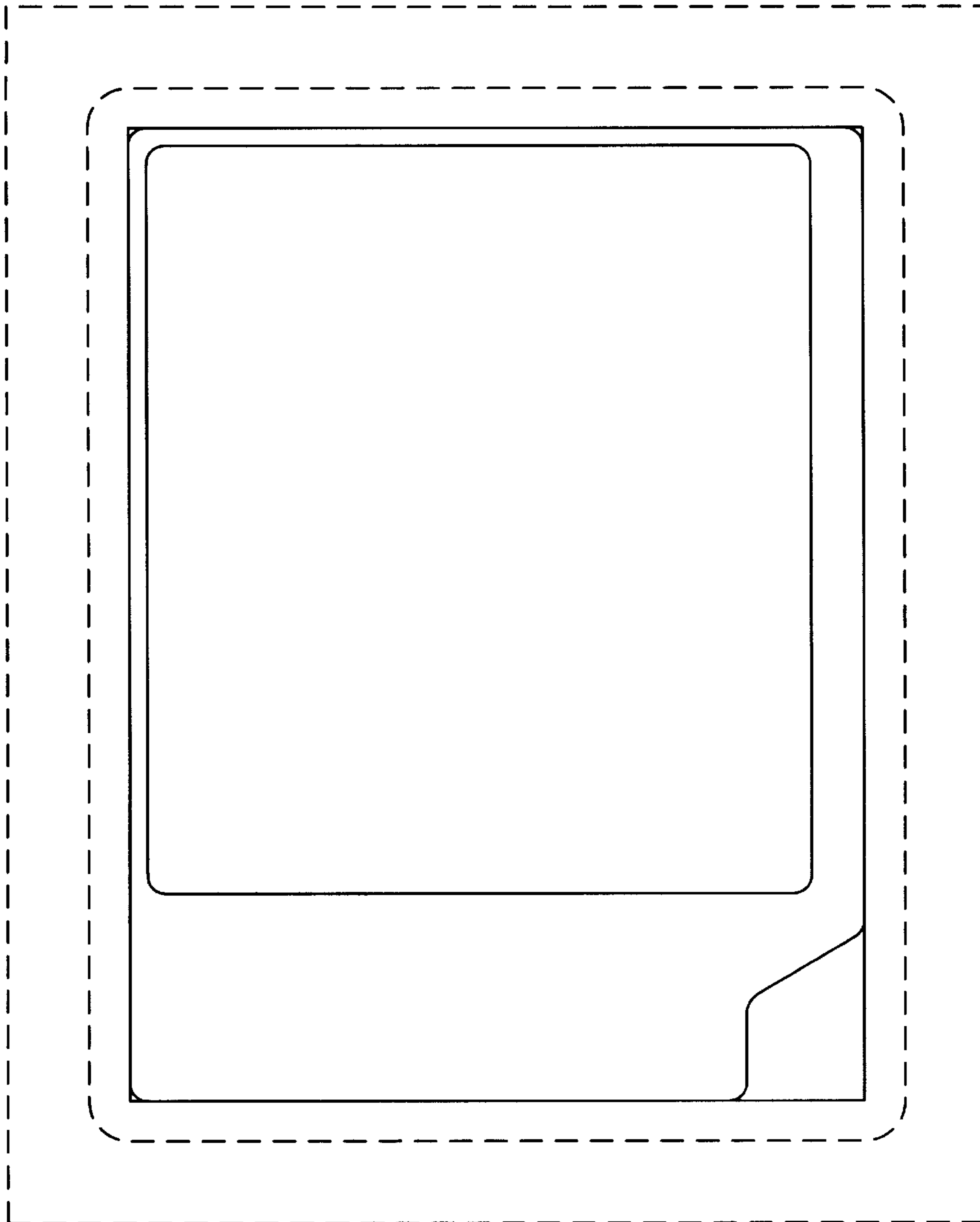


FIG. 2

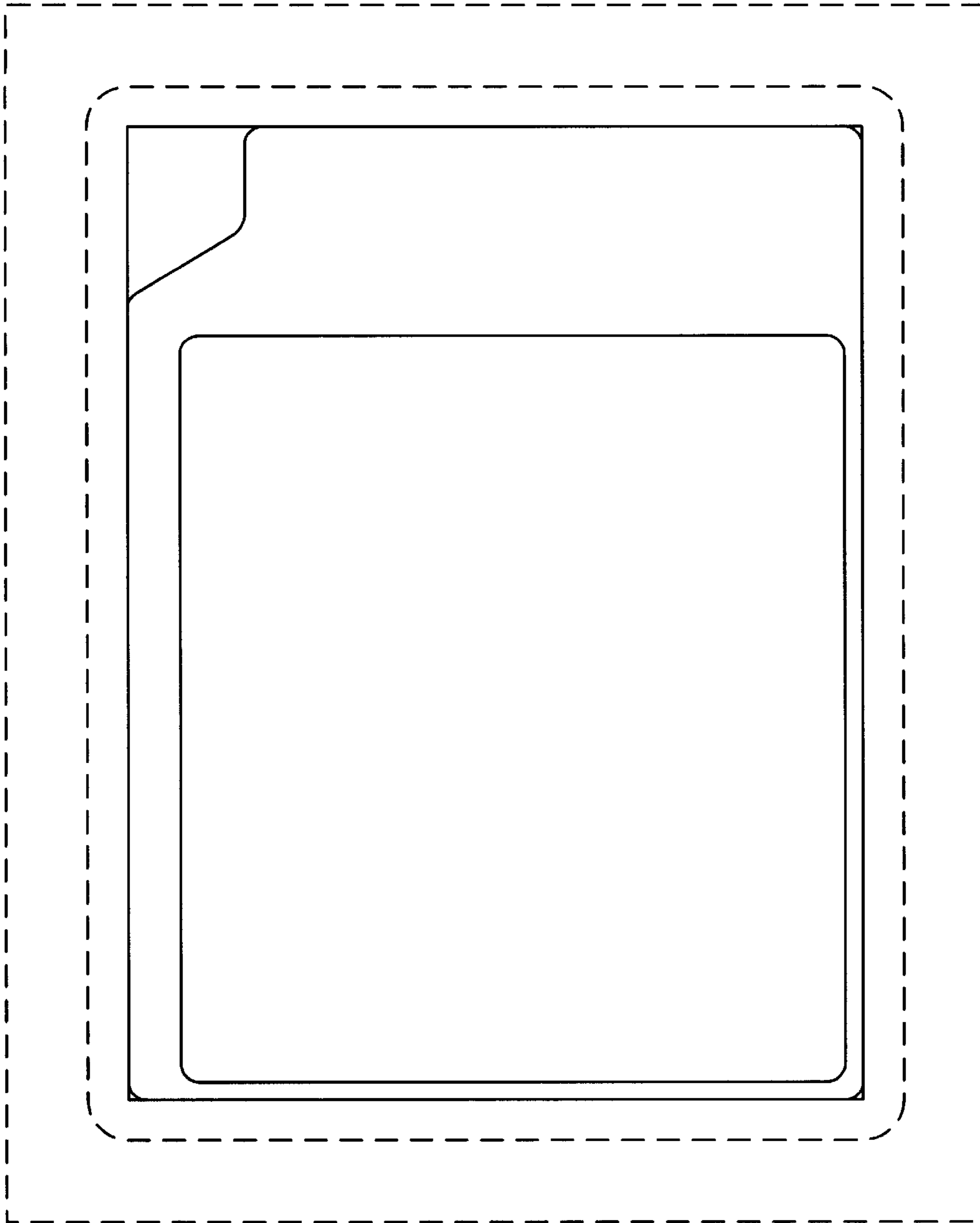


FIG. 3

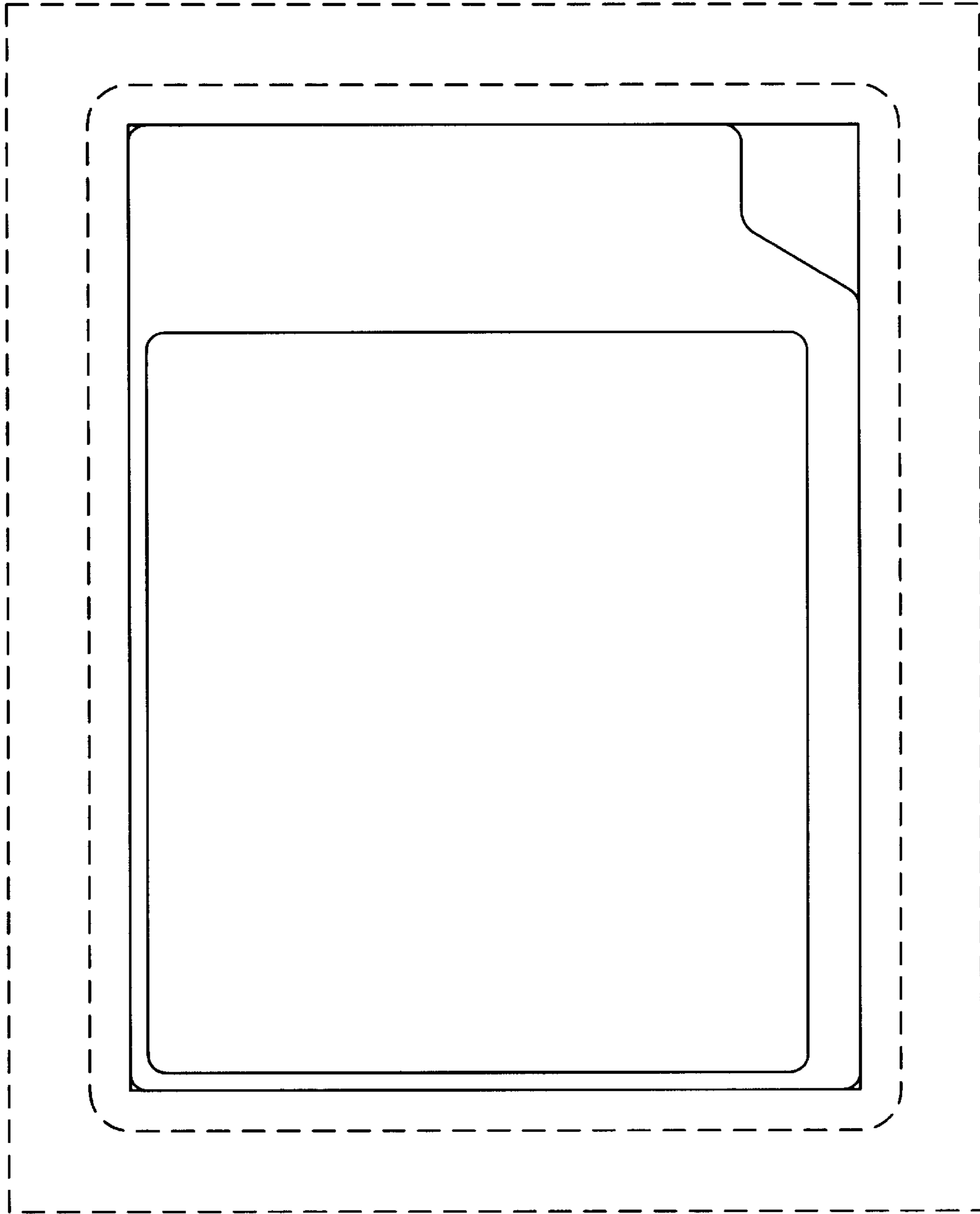


FIG. 4

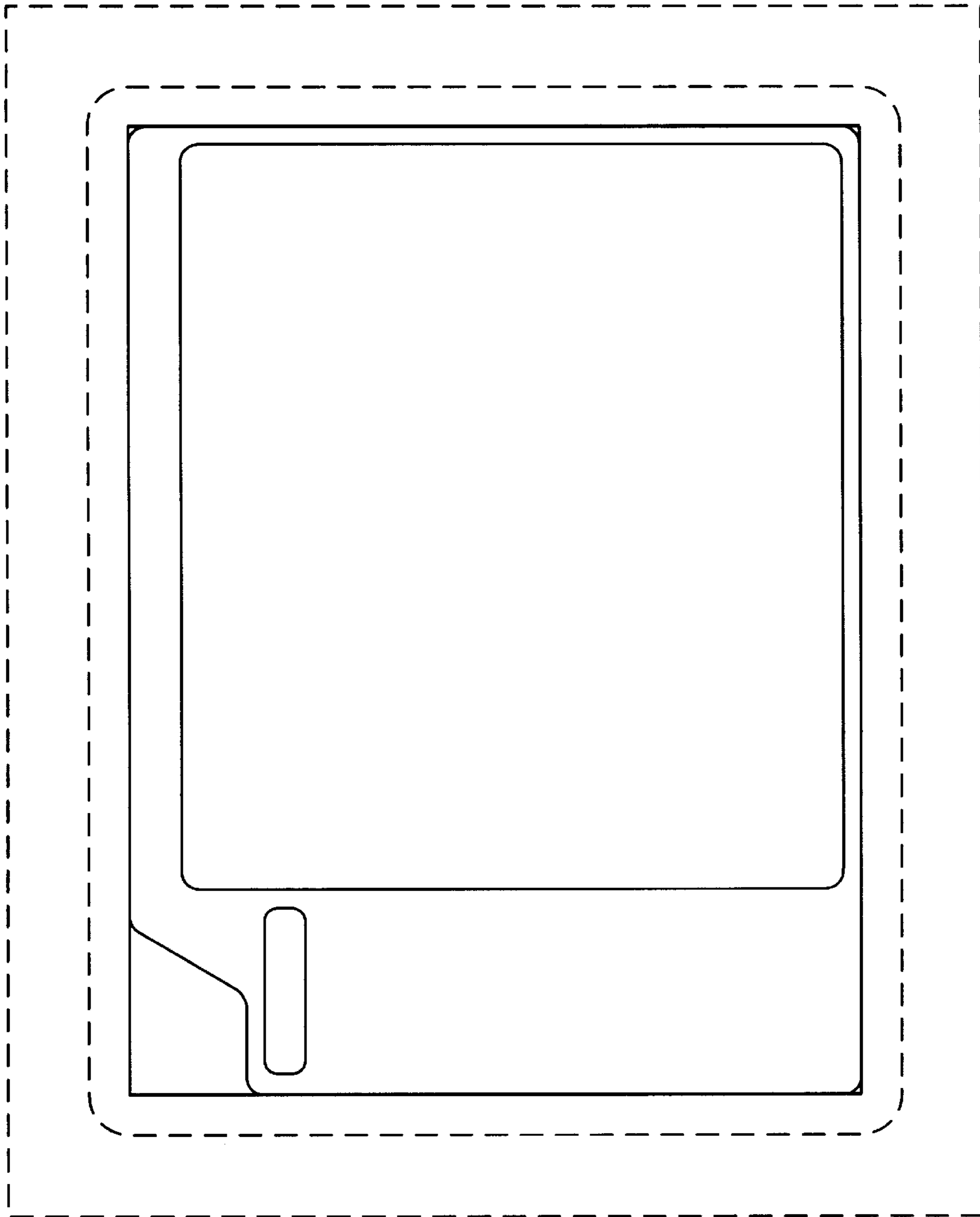


FIG. 5