



US00D469098S

(12) **United States Design Patent**
Otsuka

(10) **Patent No.:** **US D469,098 S**

(45) **Date of Patent:** **** Jan. 21, 2003**

(54) **OPTICAL DISC MEMORY**

(75) Inventor: **Akihito Otsuka**, Saitama (JP)

(73) Assignee: **Teac Corporation**, Tokyo (JP)

(**) Term: **14 Years**

(21) Appl. No.: **29/159,964**

(22) Filed: **May 2, 2002**

(30) **Foreign Application Priority Data**

Nov. 26, 2001 (JP) 2001-034532

(51) **LOC (7) Cl.** **14-02**

(52) **U.S. Cl.** **D14/435; D14/479**

(58) **Field of Search** D14/432-438,
D14/135, 136, 156, 157, 160, 161, 257,
258; 369/75.1, 75.2, 77.1, 77.2

(56) **References Cited**

U.S. PATENT DOCUMENTS

- D242,465 S * 11/1976 Heidecker D14/479
- D325,468 S * 4/1992 Ohba D14/479
- D395,430 S * 6/1998 Tatenuma D14/479

- D412,160 S * 7/1999 Nelson D14/435
- D426,538 S * 6/2000 Deguchi D14/156

* cited by examiner

Primary Examiner—Kay H. Chin

(74) *Attorney, Agent, or Firm*—Kanesaka & Takeuchi

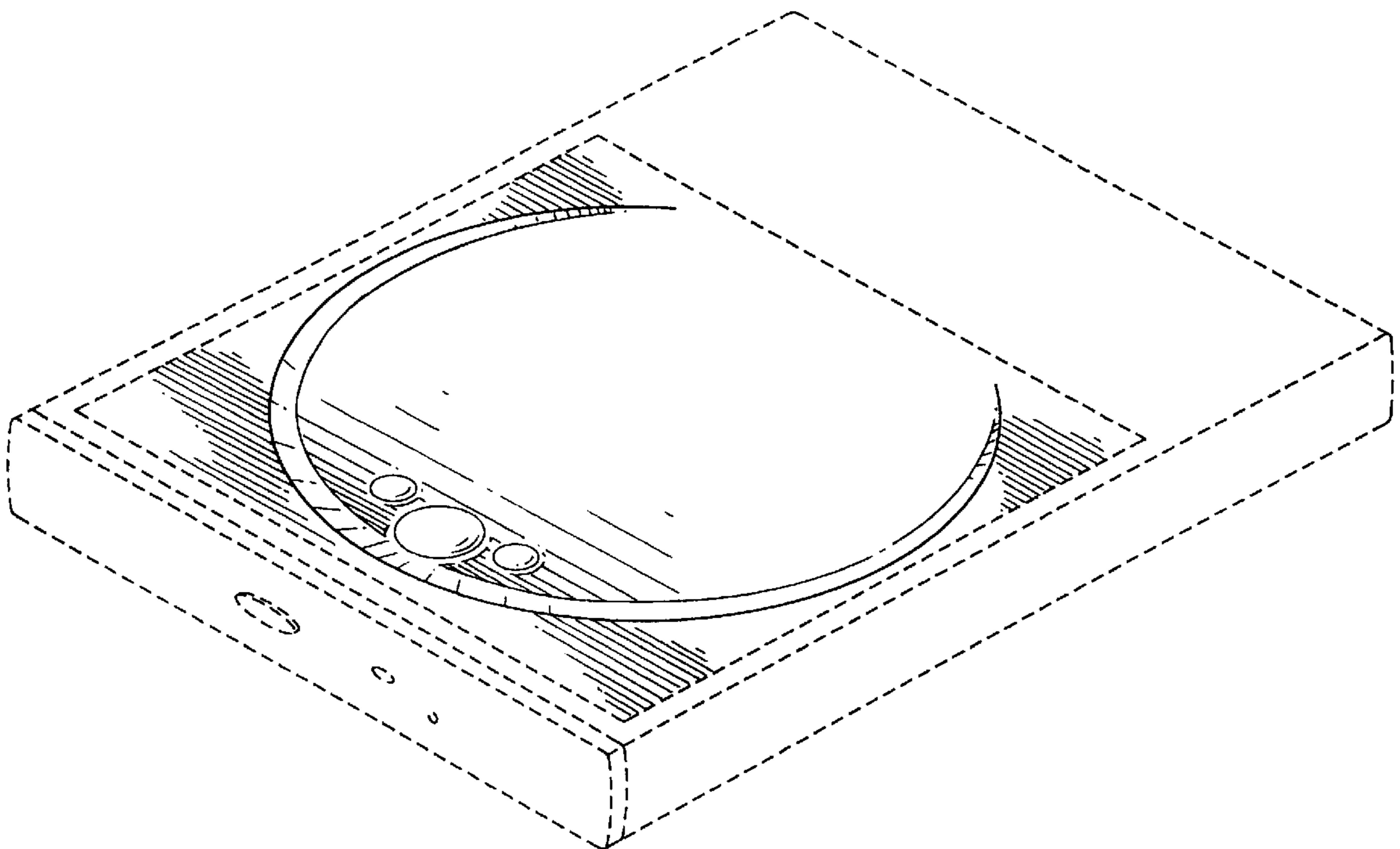
(57) **CLAIM**

The ornamental design for an optical disc memory, as shown and described.

DESCRIPTION

FIG. 1 is a front view of an optical disc memory showing my new design;
 FIG. 2 is a top plan view thereof;
 FIG. 3 is a bottom plan view thereof;
 FIG. 4 is a left side view thereof, the right side view thereof being symmetrical to the left side view;
 FIG. 5 is a rear view thereof;
 FIG. 6 is a perspective view thereof;
 FIG. 7 is a cross sectional view taken along line 7—7 in FIG. 2; and,
 FIG. 8 is a cross sectional view taken along line 8—8 in FIG. 2.

1 Claim, 3 Drawing Sheets



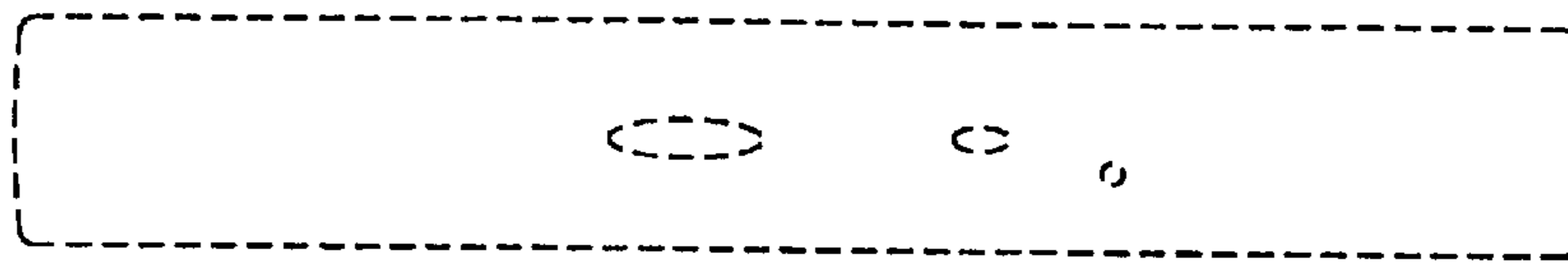


FIG. 1

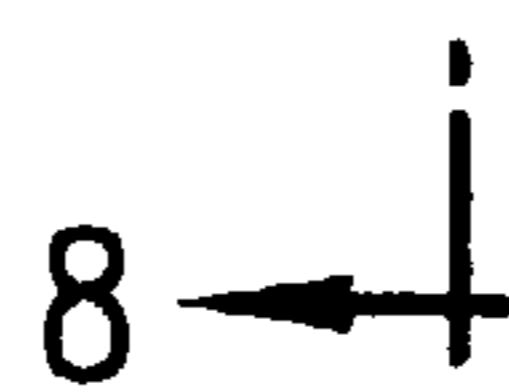
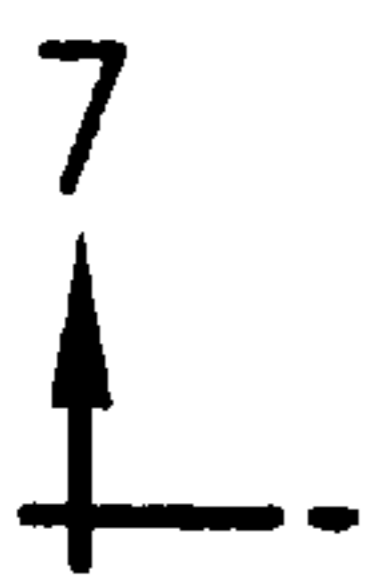
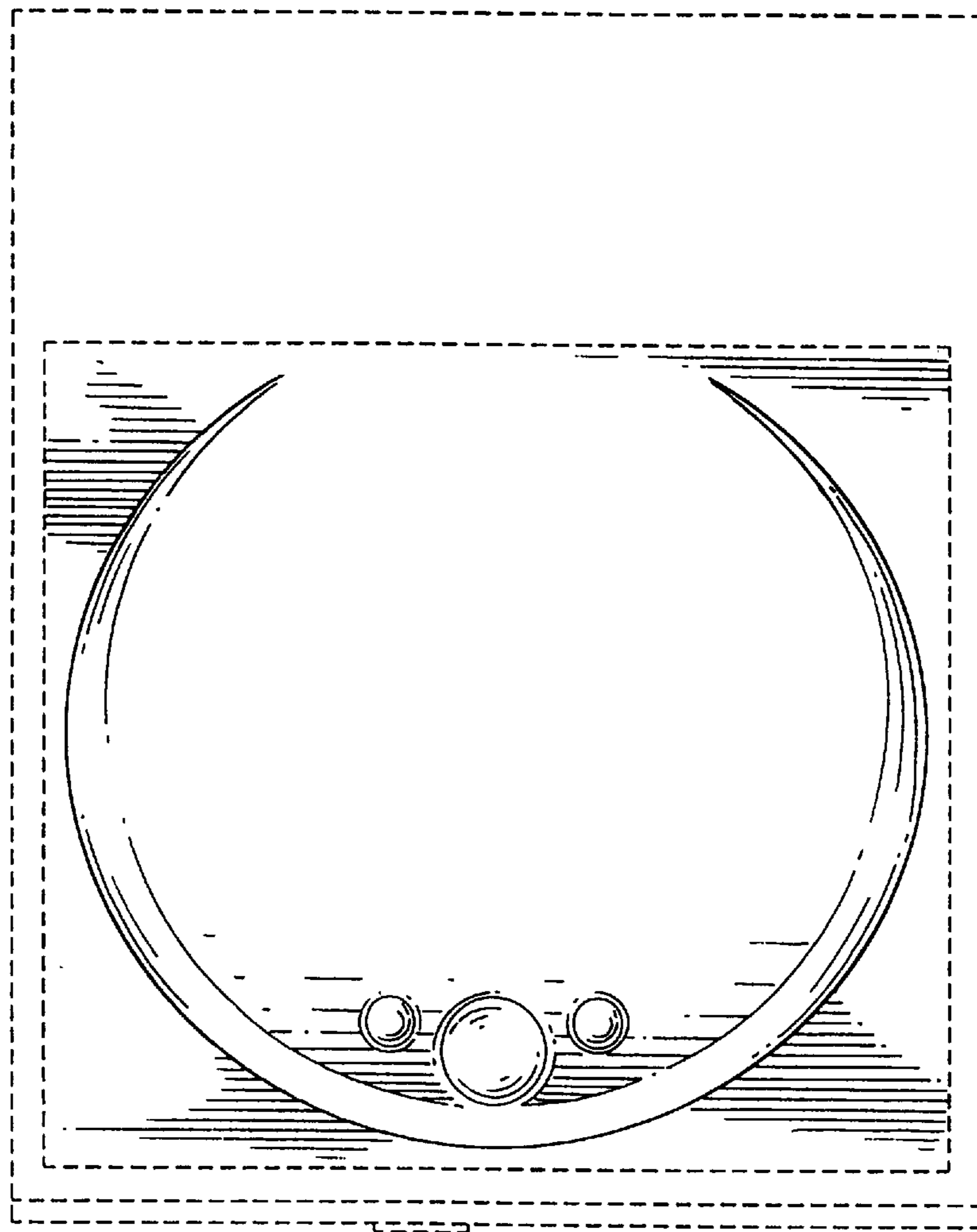
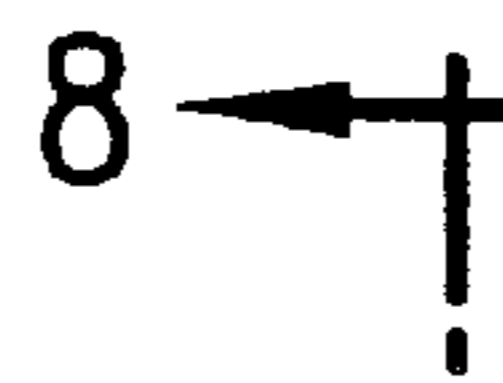


FIG. 2



FIG. 3

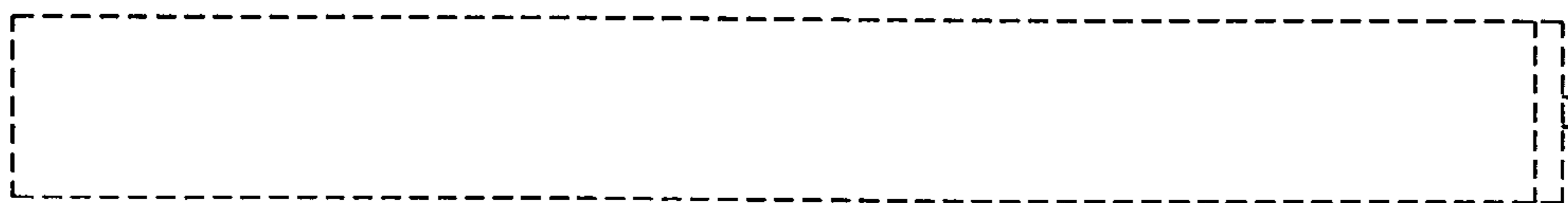


FIG. 4

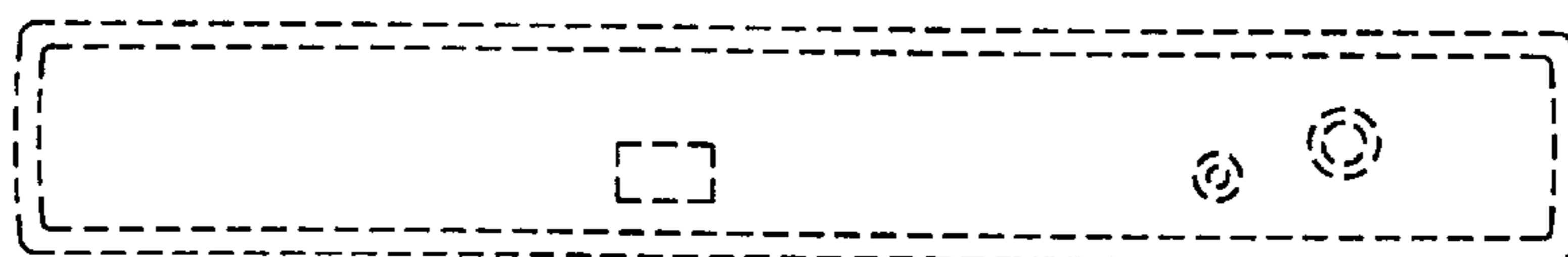


FIG. 5

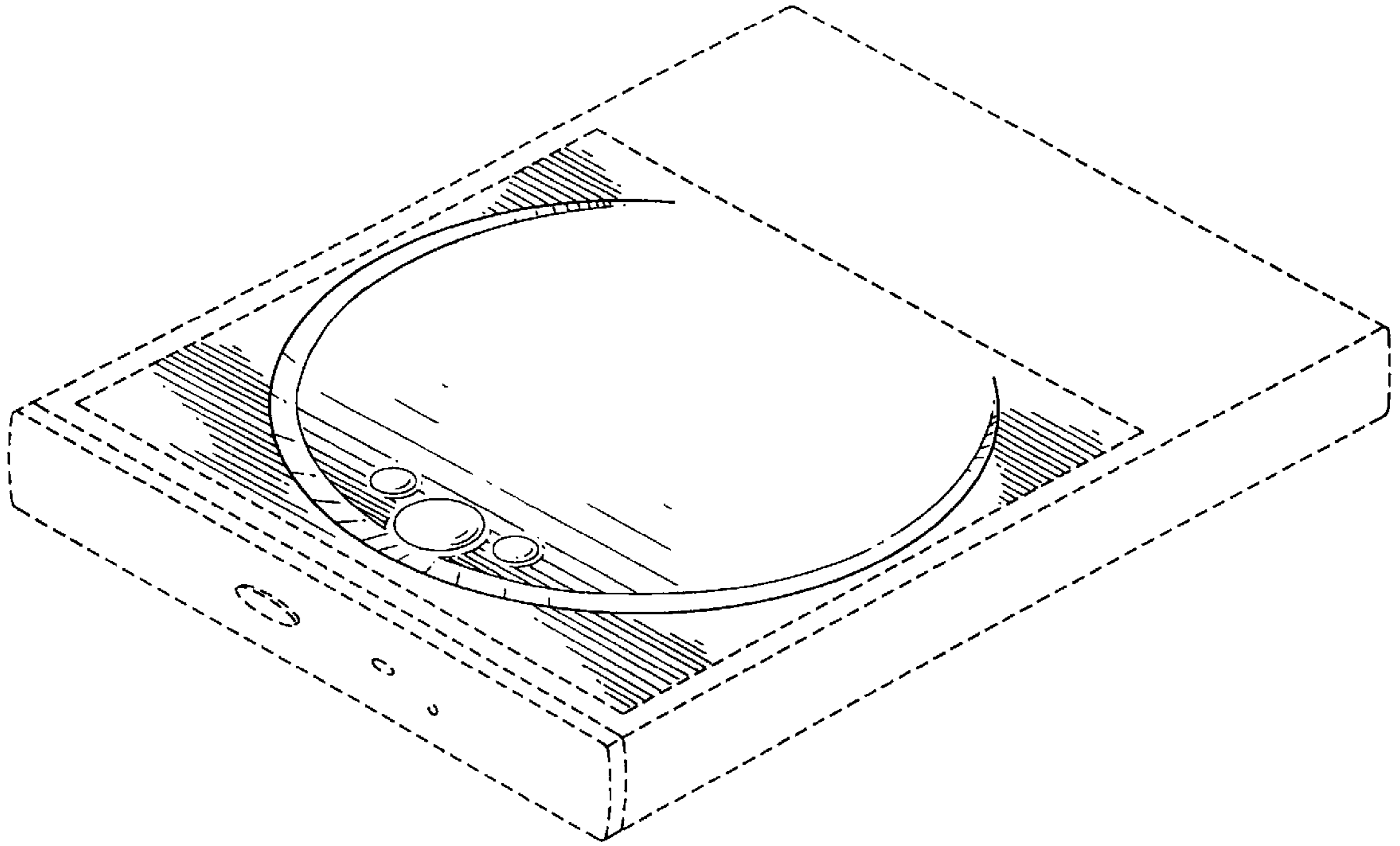


FIG. 6

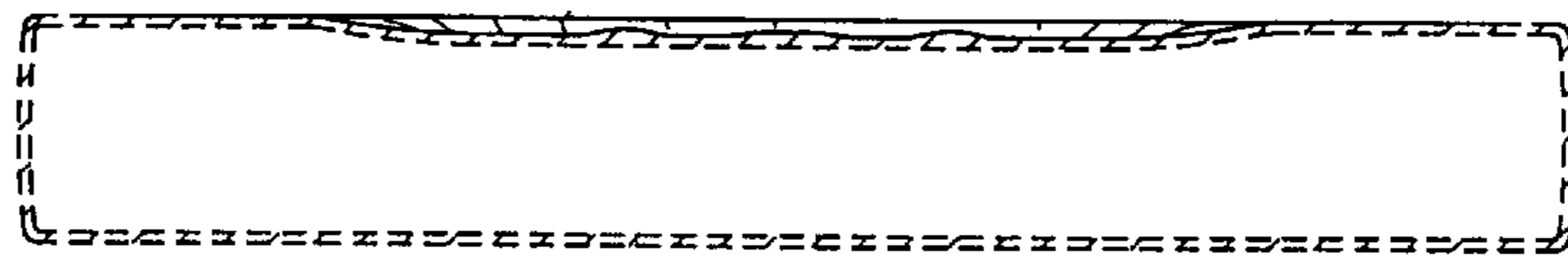


FIG. 7

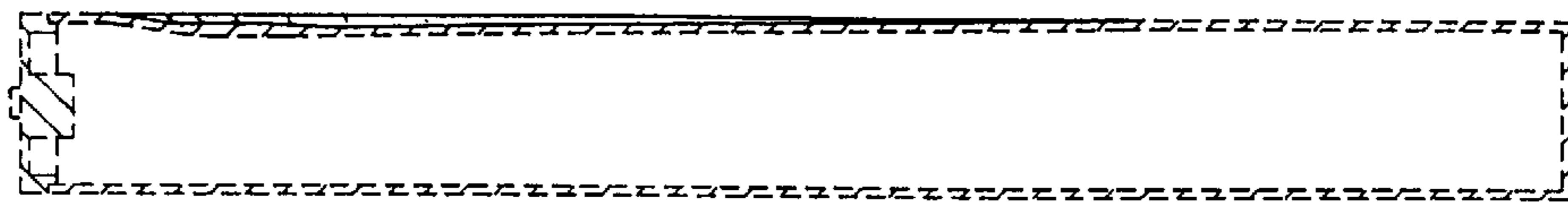


FIG. 8