



US00D469095S

(12) **United States Design Patent**  
**Hervig et al.**

(10) **Patent No.:** **US D469,095 S**

(45) **Date of Patent:** **\*\* Jan. 21, 2003**

(54) **COMPUTER MOUSE WITH BULLET SHAPE**

D442,594 S \* 5/2001 Hervig et al. .... D14/403  
D449,301 S \* 10/2001 Stephens et al. .... D14/358

(76) Inventors: **Dana P Hervig**, 1450 102nd St. E.,  
Inver Grove Heights, MN (US) 55077;  
**Dennis D. Heard**, 4509 2nd Ave. S.,  
Minneapolis, MN (US) 55409

\* cited by examiner

*Primary Examiner*—Kay H. Chin

(\*\*) Term: **14 Years**

(57) **CLAIM**

The ornamental design for a computer mouse with bullet shape, as shown.

(21) Appl. No.: **29/136,614**

(22) Filed: **Feb. 2, 2001**

**DESCRIPTION**

(51) **LOC (7) Cl.** ..... **14-02**

FIG. 1 is a top perspective view of a computer mouse with bullet shape showing our new design; the broken lines are for illustrative purposes only and form no part of the claimed design;

(52) **U.S. Cl.** ..... **D14/403**

FIG. 2 is a top plan view thereof;

(58) **Field of Search** ..... D14/402-410,  
D14/417; 345/156-167; 200/5 R, 5 A, 6 R,  
6 A; 273/148 B; 74/471 XY; 463/36, 37,  
38

FIG. 3 is a rear elevation view thereof;

FIG. 4 is a left side elevation view thereof;

FIG. 5 is a right side elevation view thereof;

FIG. 6 is a front elevation view thereof; and,

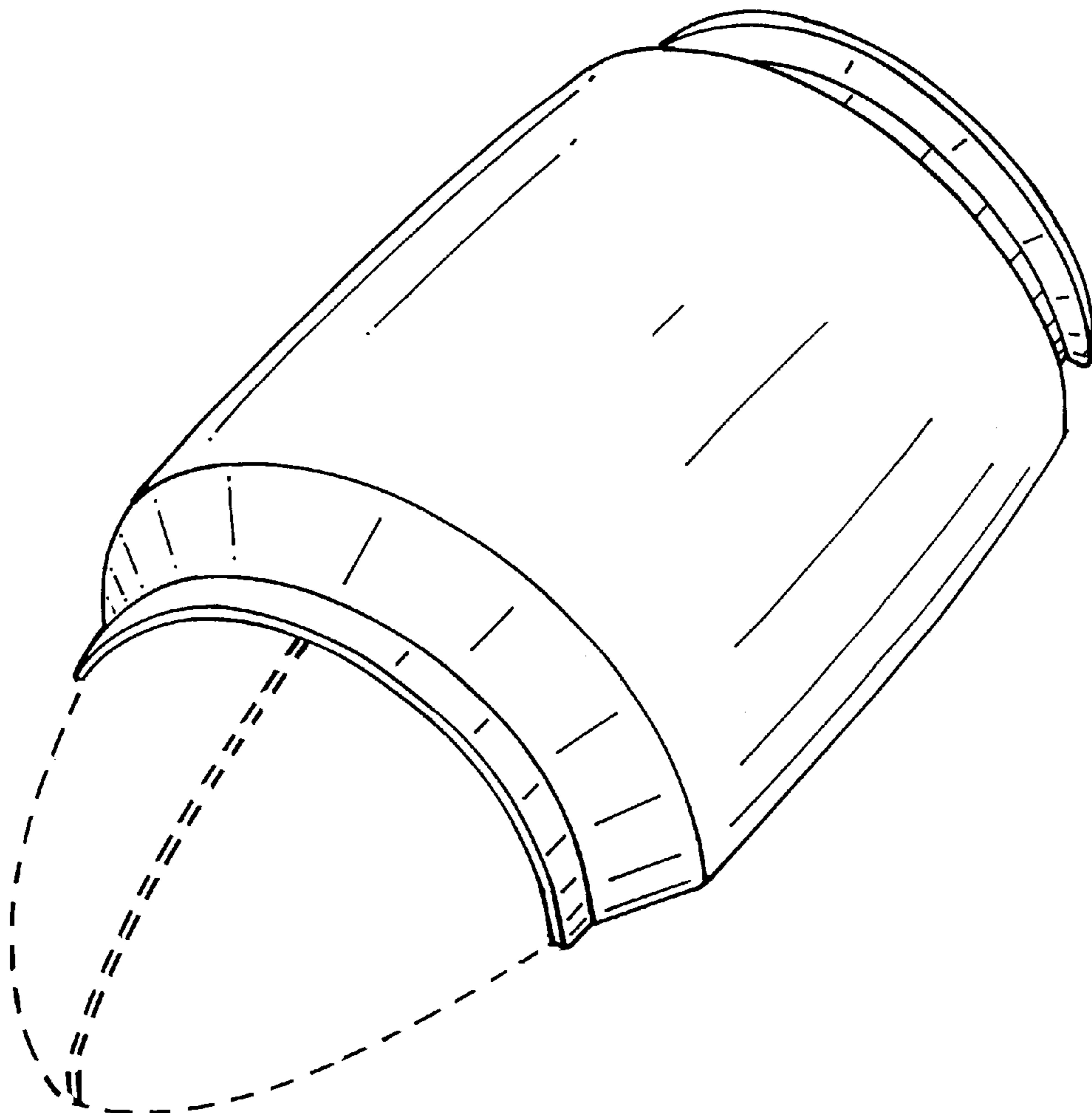
FIG. 7 is a bottom plan view thereof.

(56) **References Cited**

**U.S. PATENT DOCUMENTS**

D438,541 S \* 3/2001 Hervig et al. .... D14/403

**1 Claim, 3 Drawing Sheets**



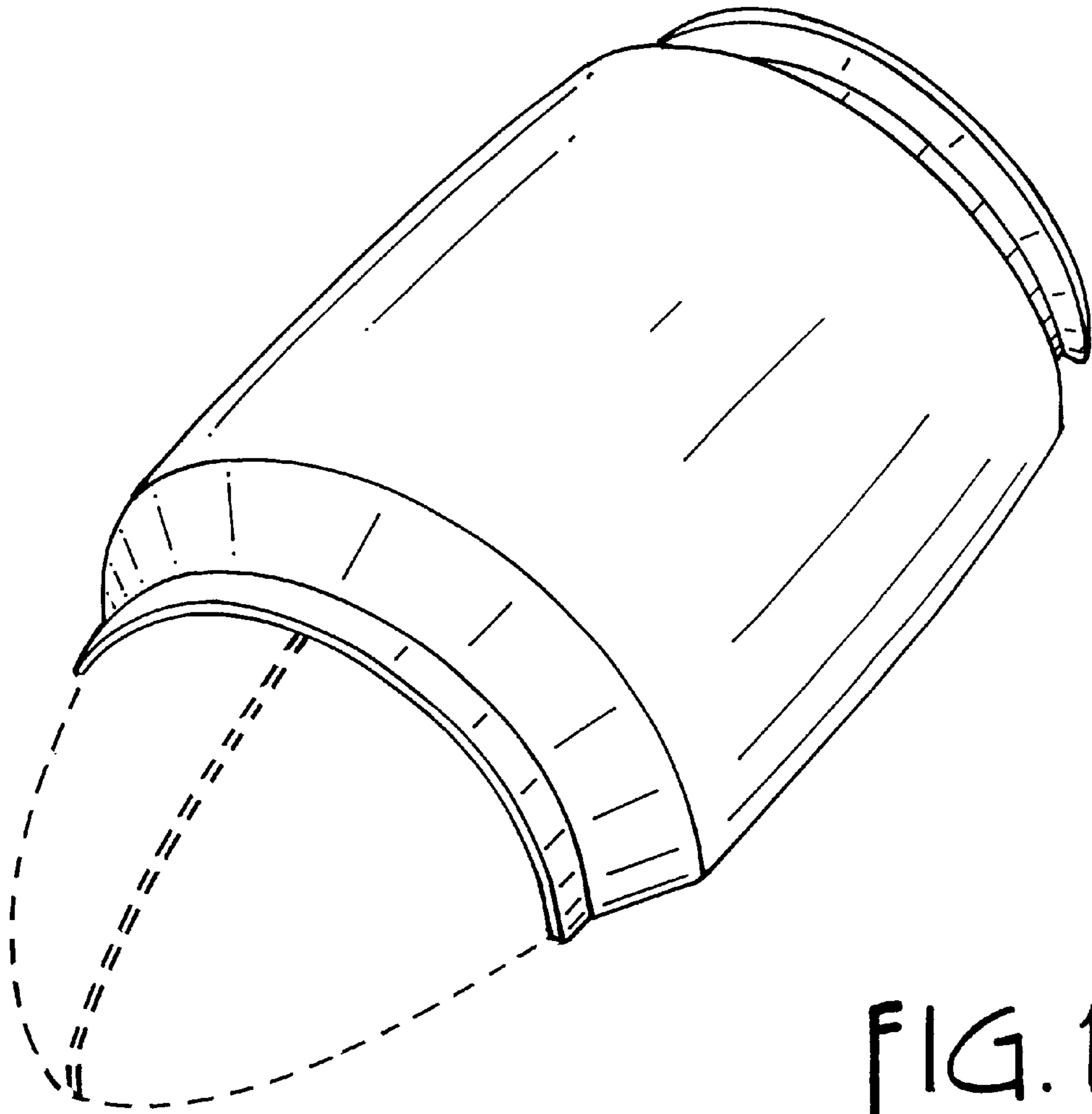


FIG. 1

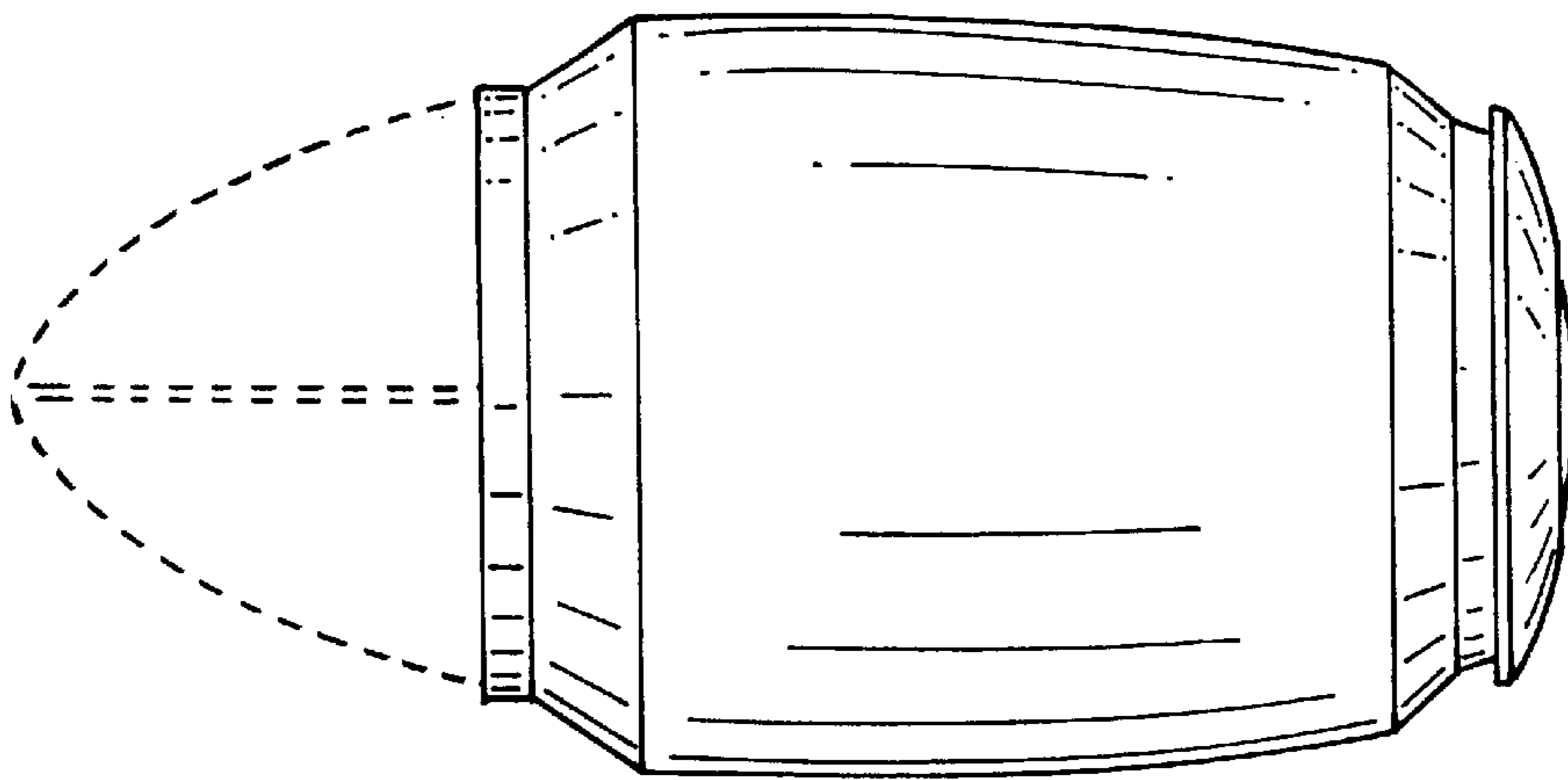


FIG. 2

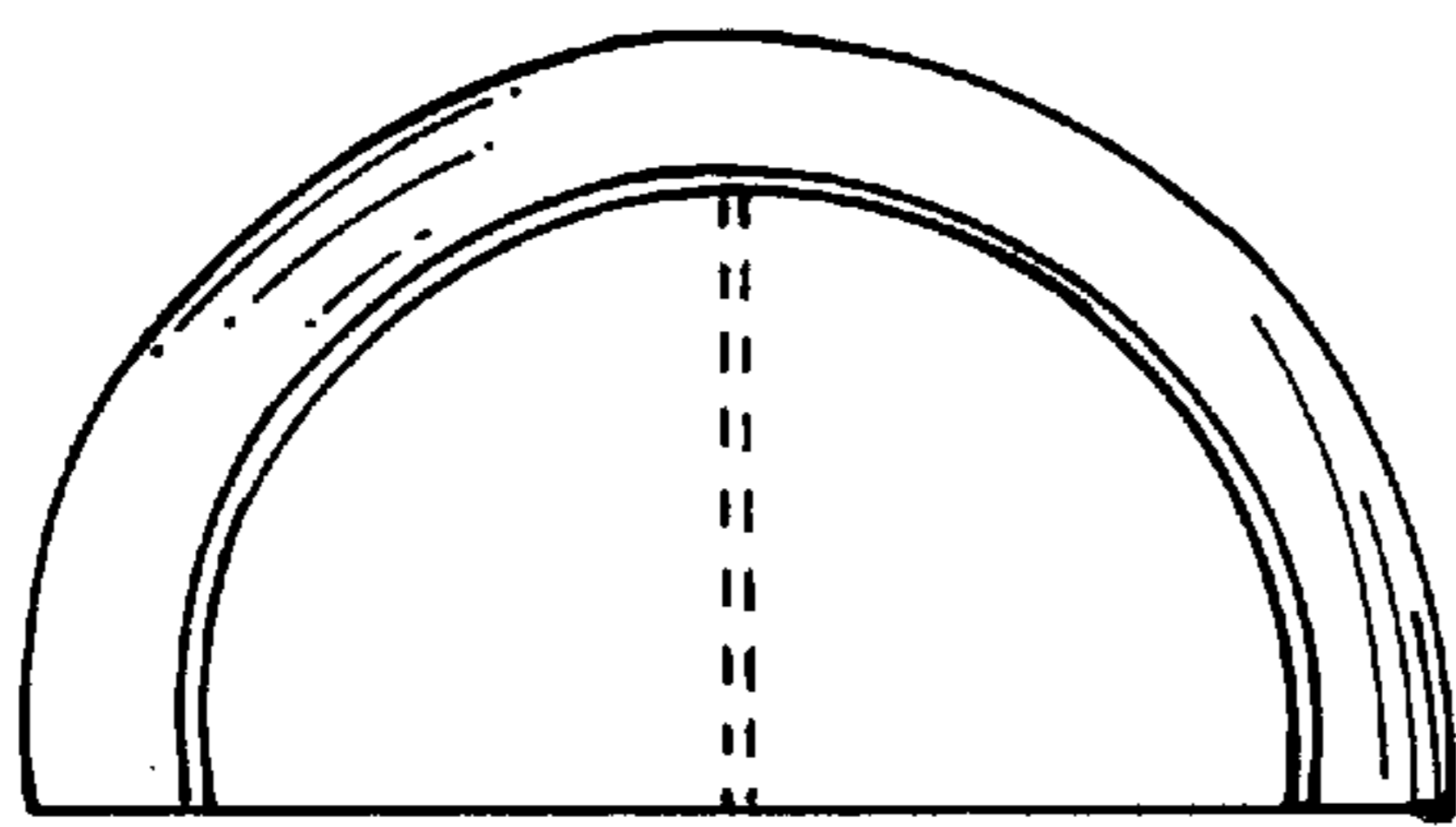


FIG. 3

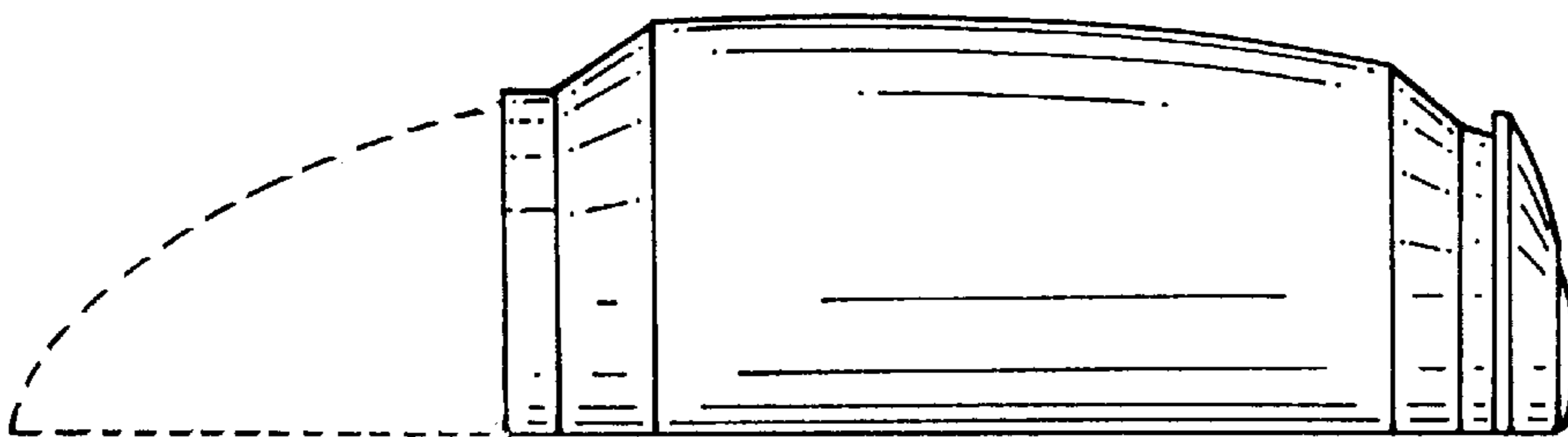


FIG. 4

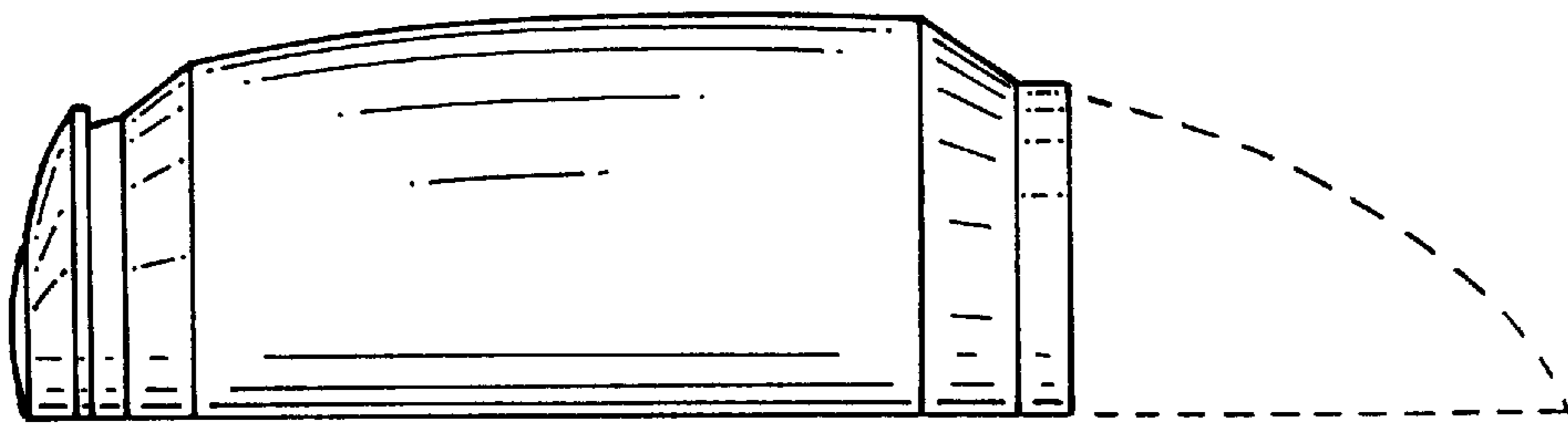


FIG. 5

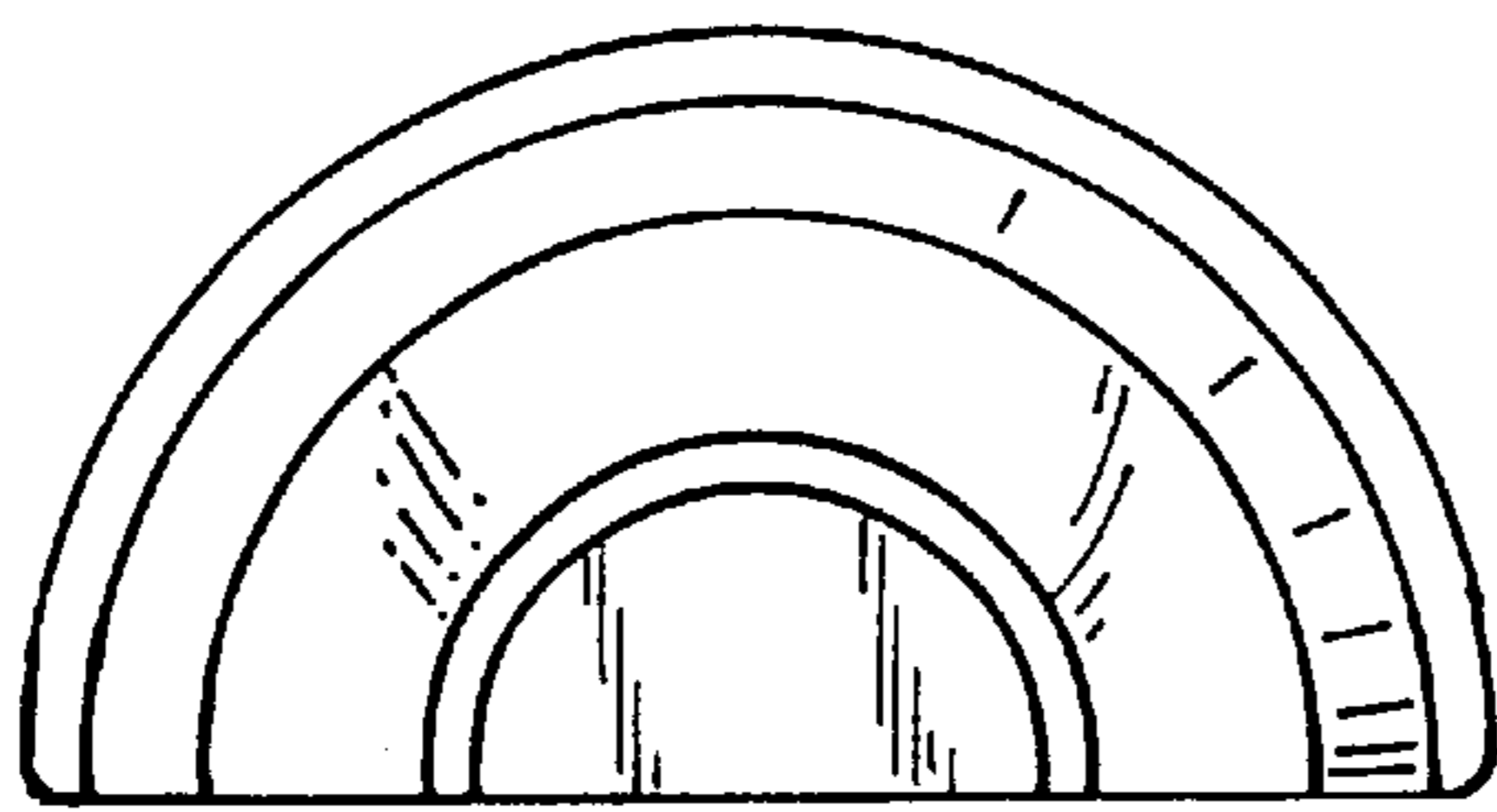


FIG. 6

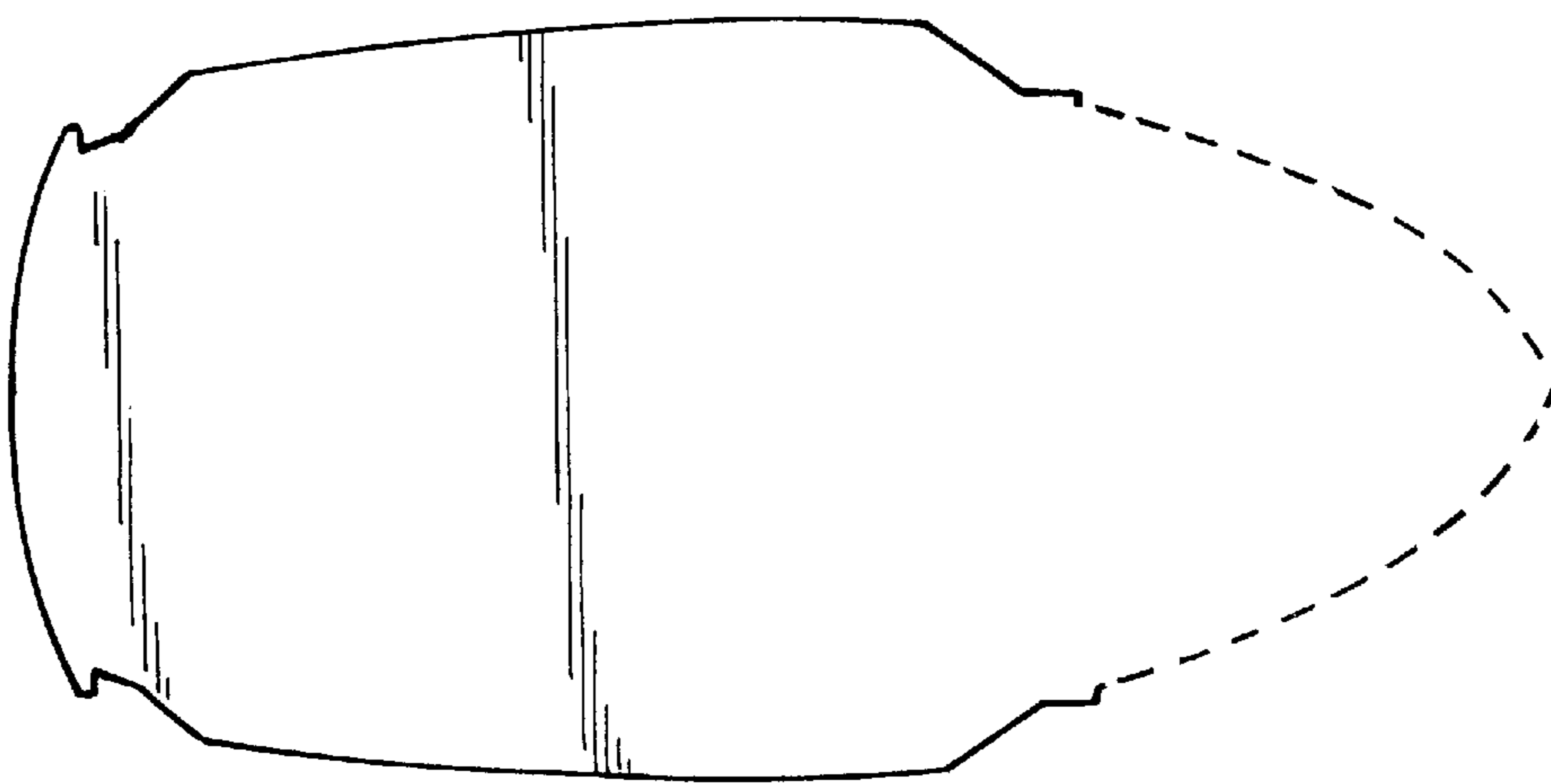


FIG. 7