



US00D469094S

(12) **United States Design Patent**
Nakamura

(10) **Patent No.:** **US D469,094 S**

(45) **Date of Patent:** **** Jan. 21, 2003**

(54) **MULTI DIRECTIONAL INPUT APPARATUS**

(75) Inventor: **Masahiko Nakamura, Nara-ken (JP)**

(73) Assignee: **Hosiden Corporation, Yao (JP)**

(**) Term: **14 Years**

(21) Appl. No.: **29/135,297**

(22) Filed: **Jan. 10, 2001**

(30) **Foreign Application Priority Data**

Jul. 12, 2000 (JP) 2000-019115

(51) **LOC (7) Cl.** **14-02**

(52) **U.S. Cl.** **D14/402**

(58) **Field of Search** D14/402-410,
D14/417; 345/156-167; 200/5 R, 5 A, 6 R,
6 A; 273/148 B; 74/471 XY; 463/36, 37,
38

(56) **References Cited**

U.S. PATENT DOCUMENTS

6,054,978 A * 4/2000 Perry 345/163

D436,085 S * 1/2001 Takizawa et al. D13/182

6,184,869 B1 * 2/2001 Harding et al. 345/163

6,215,473 B1 * 4/2001 Suzuki 345/163

* cited by examiner

Primary Examiner—Kay H. Chin

(74) *Attorney, Agent, or Firm*—Armstrong, Westerman & Hattori, LLP

(57) **CLAIM**

The ornamental design for a multi directional input apparatus, as shown and described.

DESCRIPTION

FIG. 1 is a front elevational view of the multi directional input apparatus showing my new design;

FIG. 2 is a rear view thereof;

FIG. 3 is a right side elevational view thereof;

FIG. 4 is a left side elevational view thereof;

FIG. 5 is a plan view thereof;

FIG. 6 is a bottom view thereof; and,

FIG. 7 is a perspective view from the right front quarter.

1 Claim, 4 Drawing Sheets

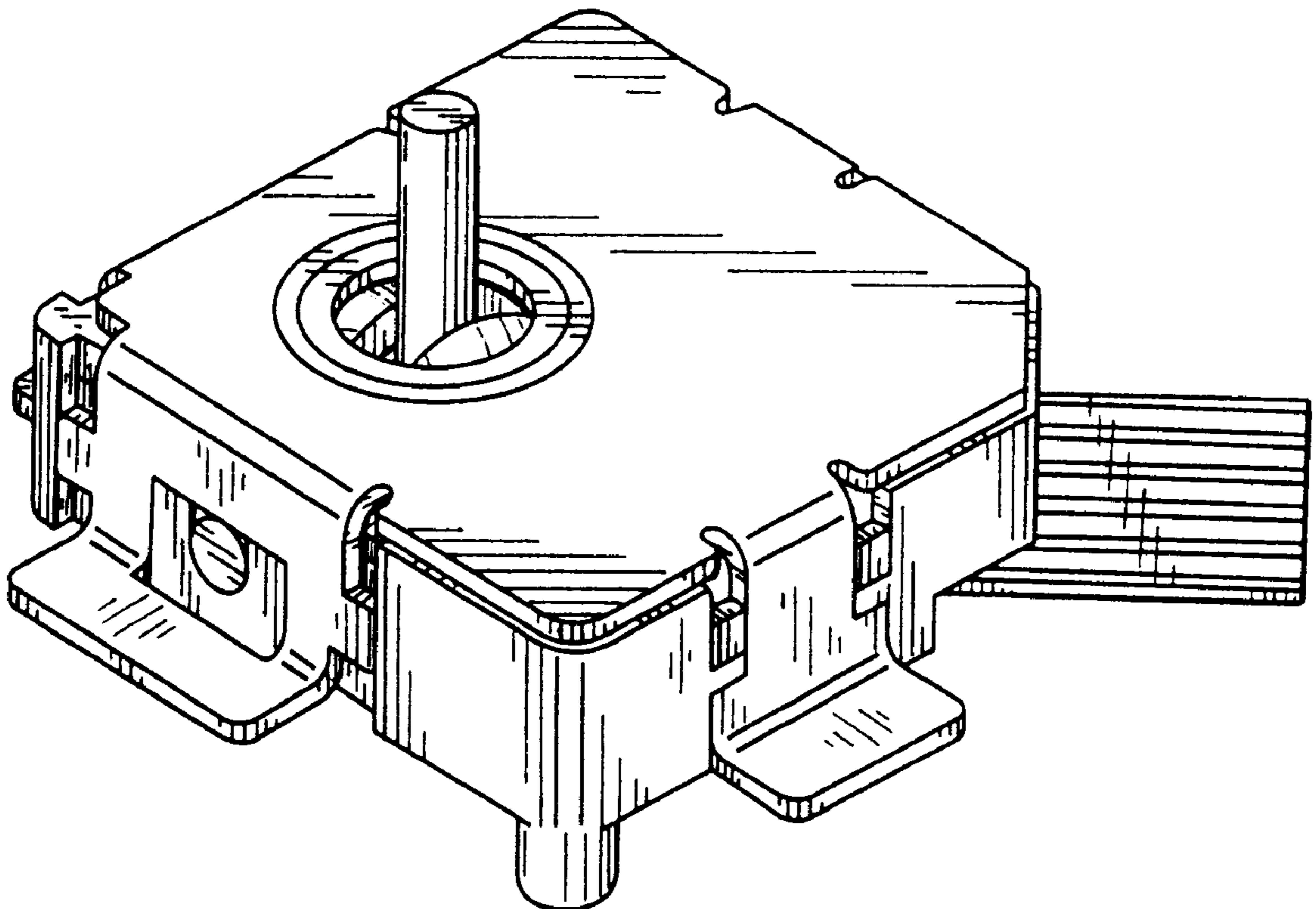


Fig. 1

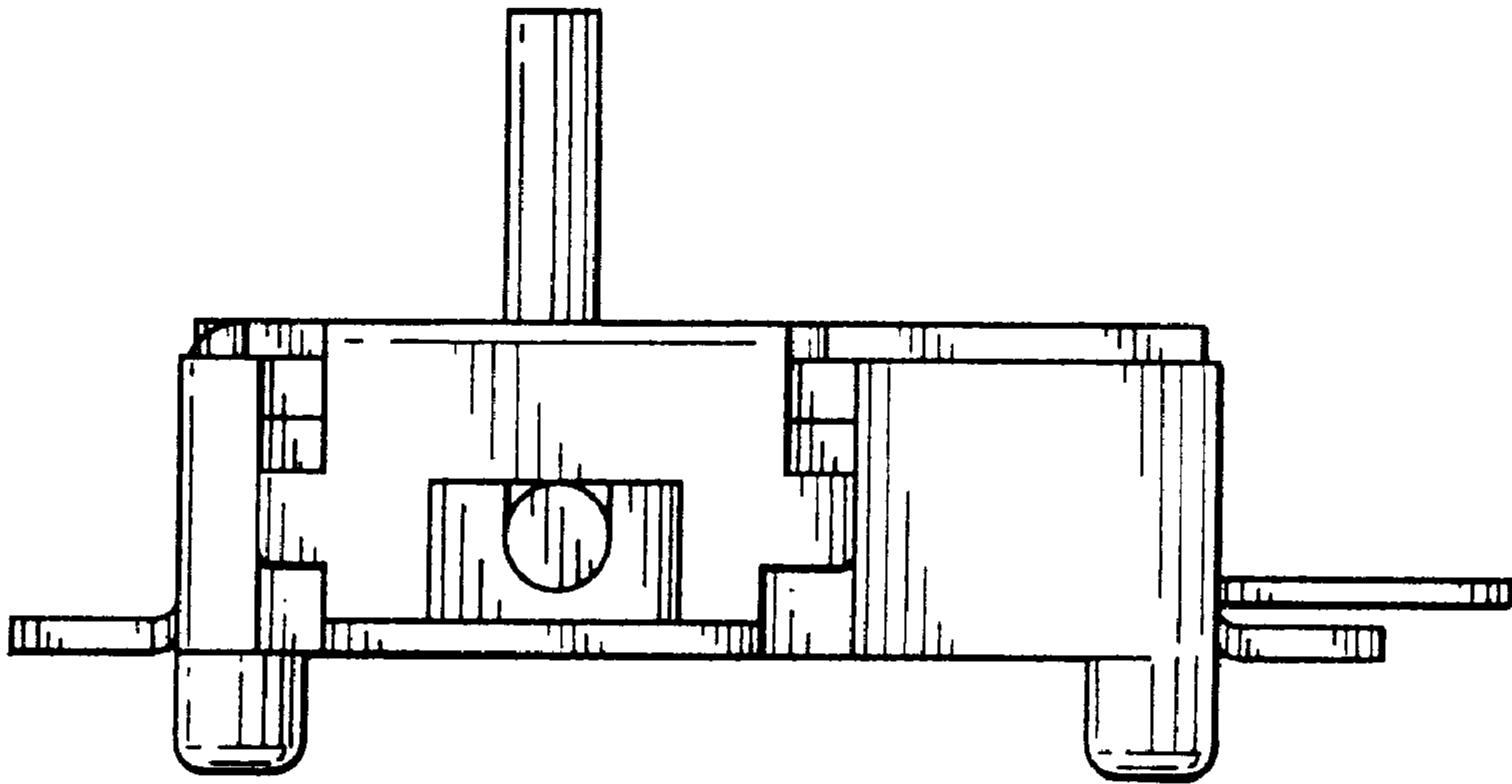


Fig. 2

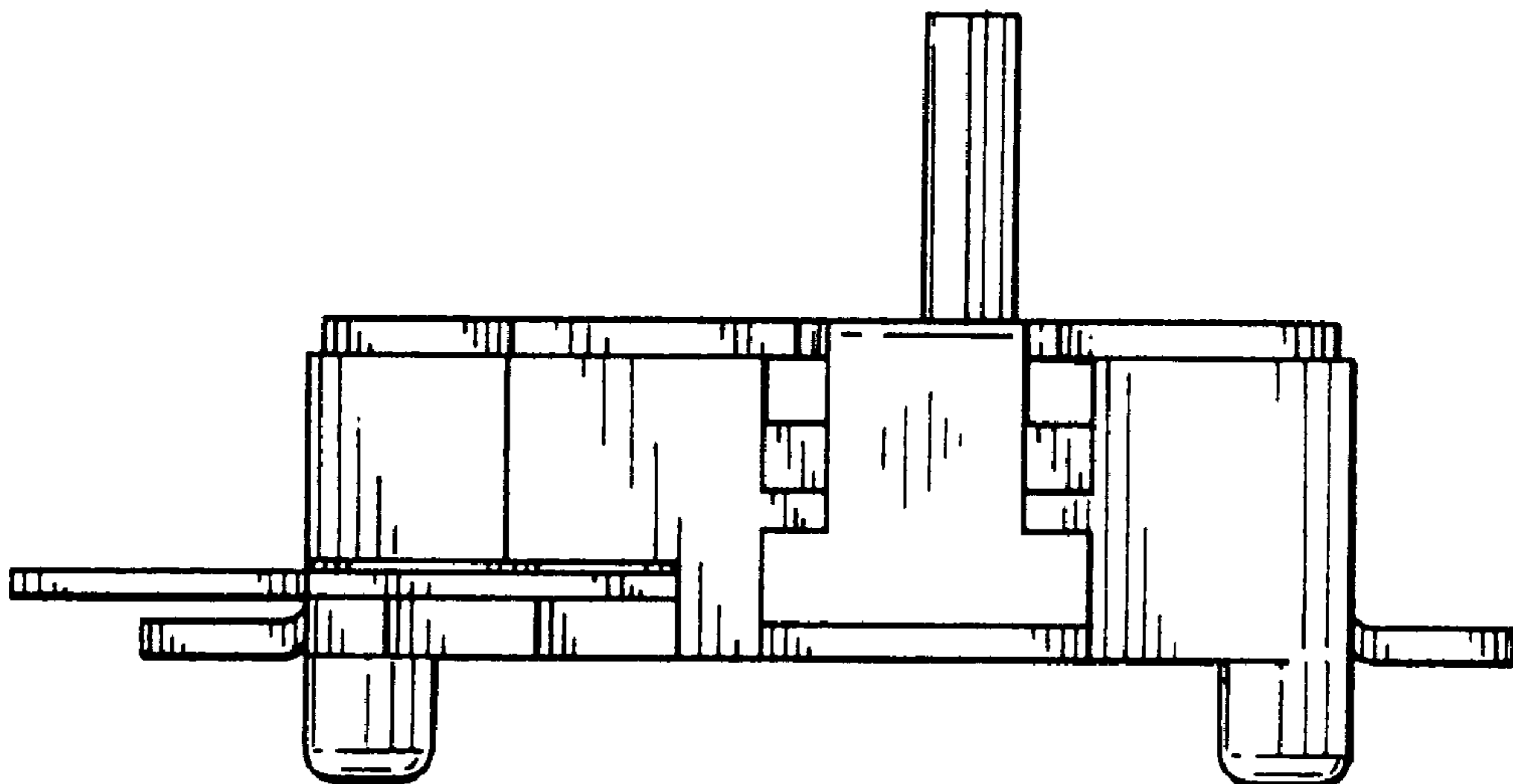


Fig.3

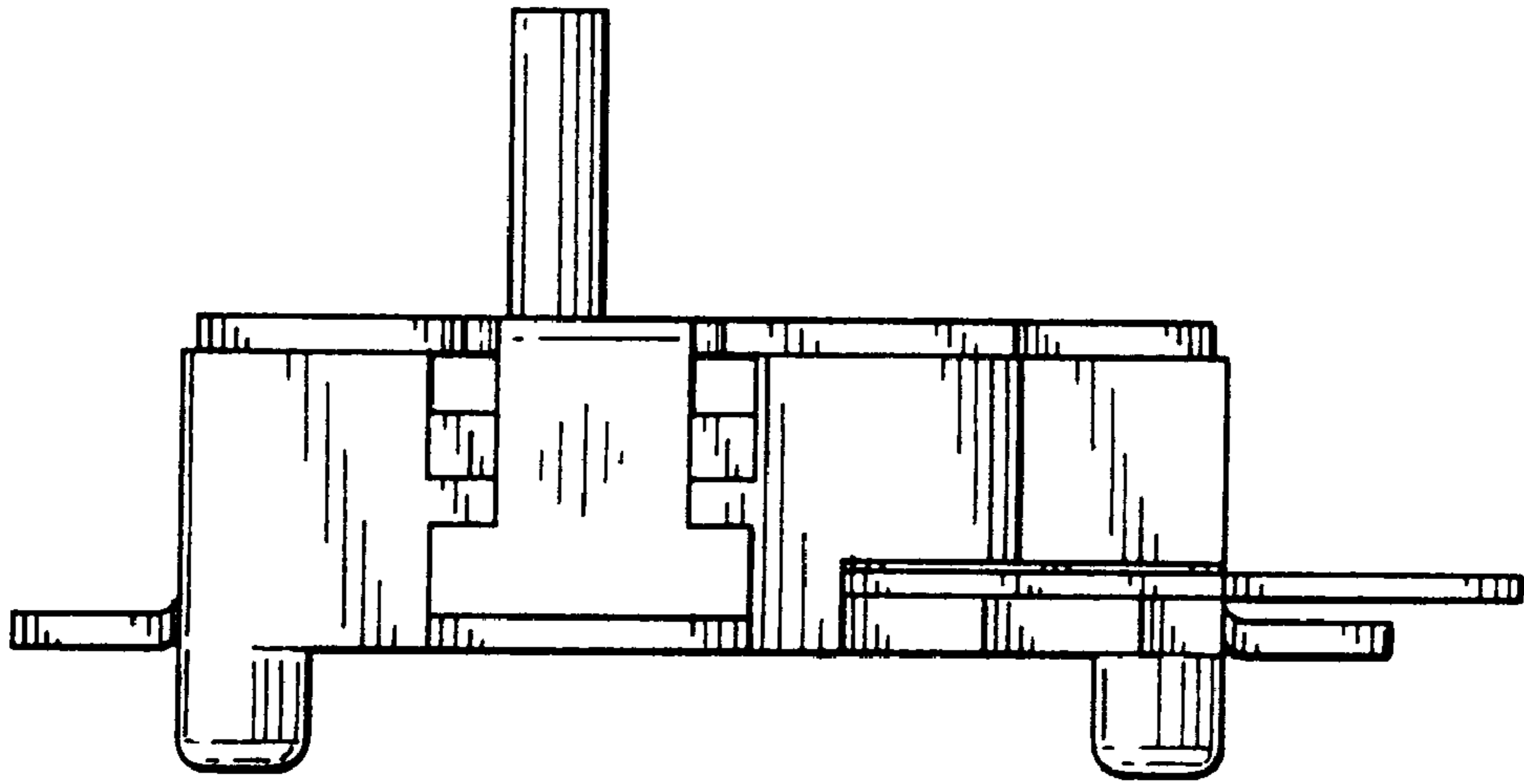


Fig.4

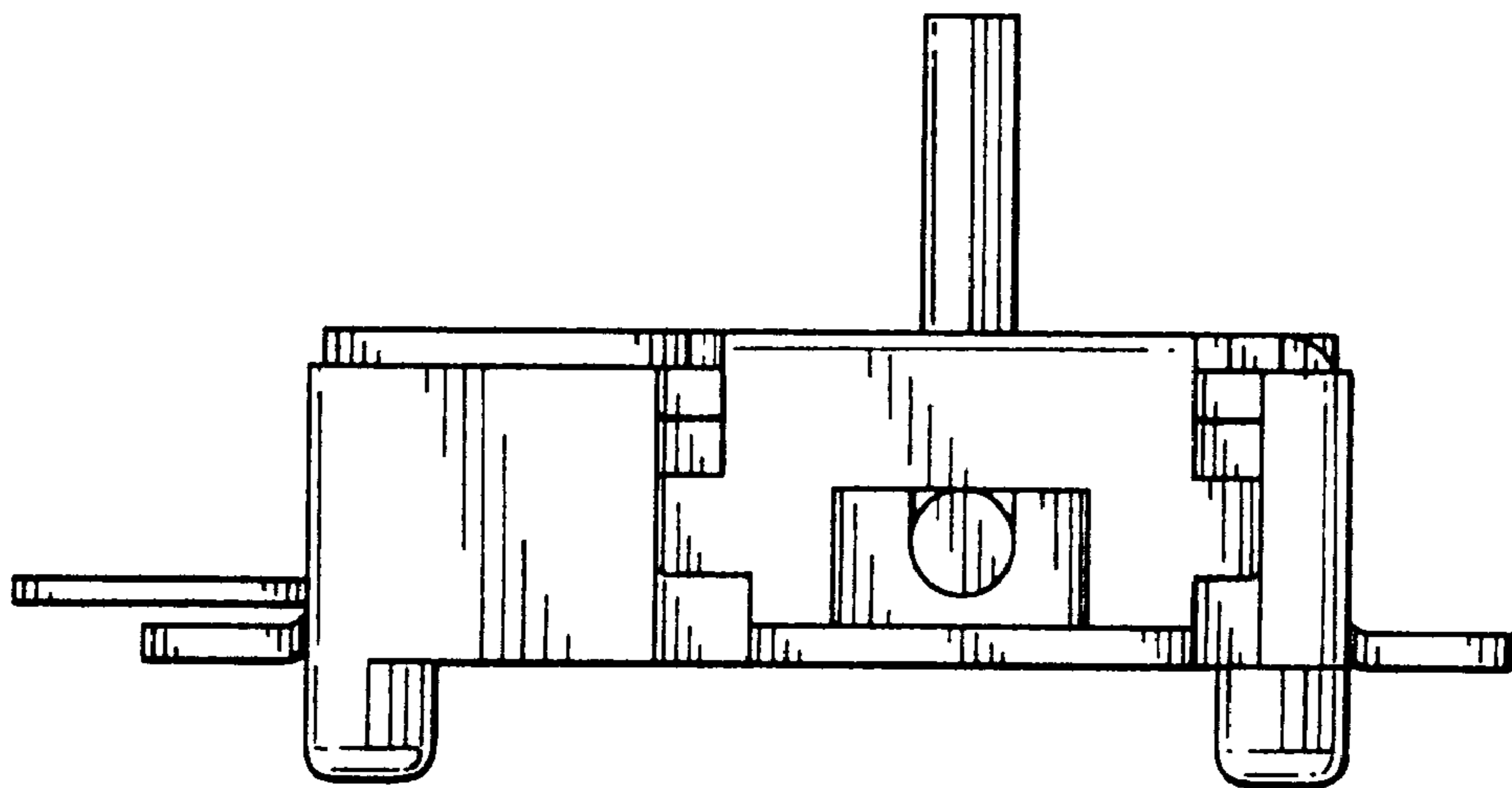


Fig.5

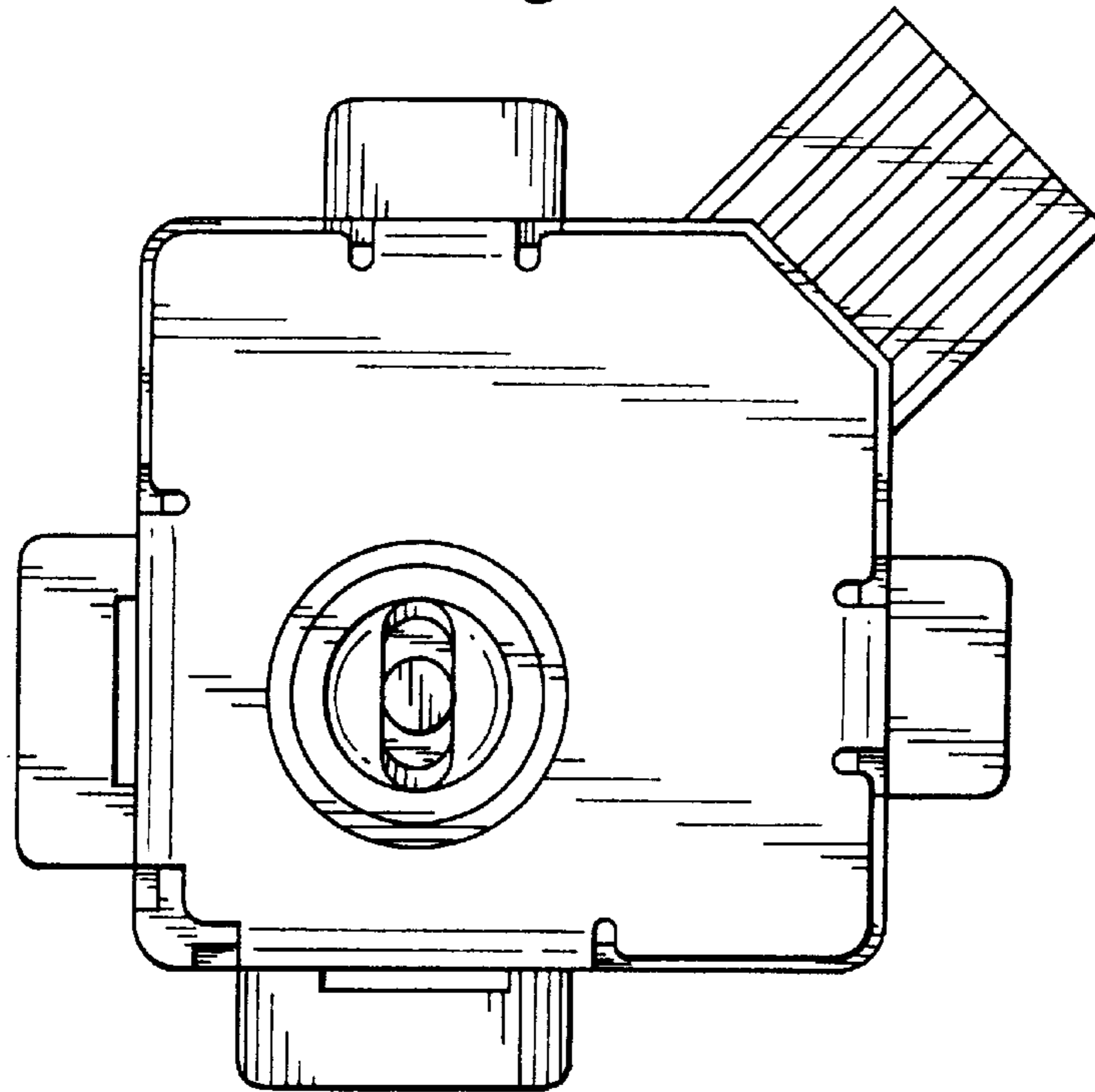


Fig.6

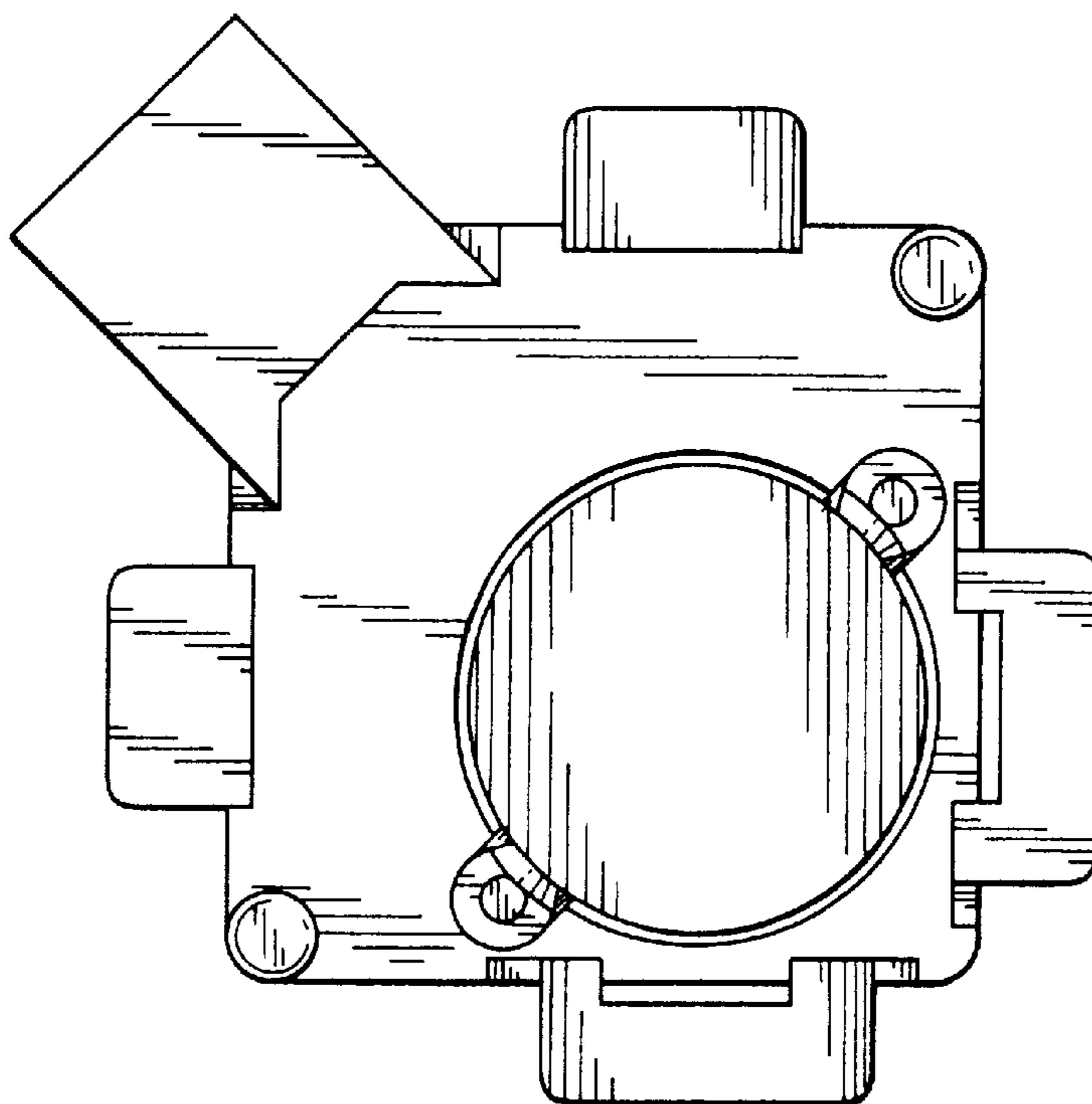


Fig. 7

