



US00D469092S

(12) **United States Design Patent**
Lin

(10) **Patent No.:** **US D469,092 S**

(45) **Date of Patent:** **** Jan. 21, 2003**

(54) **LCD DISPLAY**

D449,601 S * 10/2001 Baldwin et al. D14/336

(75) Inventor: **Roger Lin**, Taipei (TW)

* cited by examiner

(73) Assignee: **HannStar Display Corp.**, Taipei (TW)

Primary Examiner—Freda Nunn

(**) Term: **14 Years**

(74) *Attorney, Agent, or Firm*—Merchant & Gould; Tim Tingkang Xia

(21) Appl. No.: **29/159,049**

(57) **CLAIM**

(22) Filed: **Apr. 11, 2002**

The ornamental design for an LCD display, as shown and described.

(51) **LOC (7) Cl.** **14-02**

DESCRIPTION

(52) **U.S. Cl.** **D14/375**

(58) **Field of Search** D14/125-130,
D14/371, 374-376; D16/227; D21/328,
329, 333; 341/12; 345/104, 156, 168, 173,
87; 348/180, 184, 325, 739; 349/1, 2, 11,
62; 248/918-924; 40/594

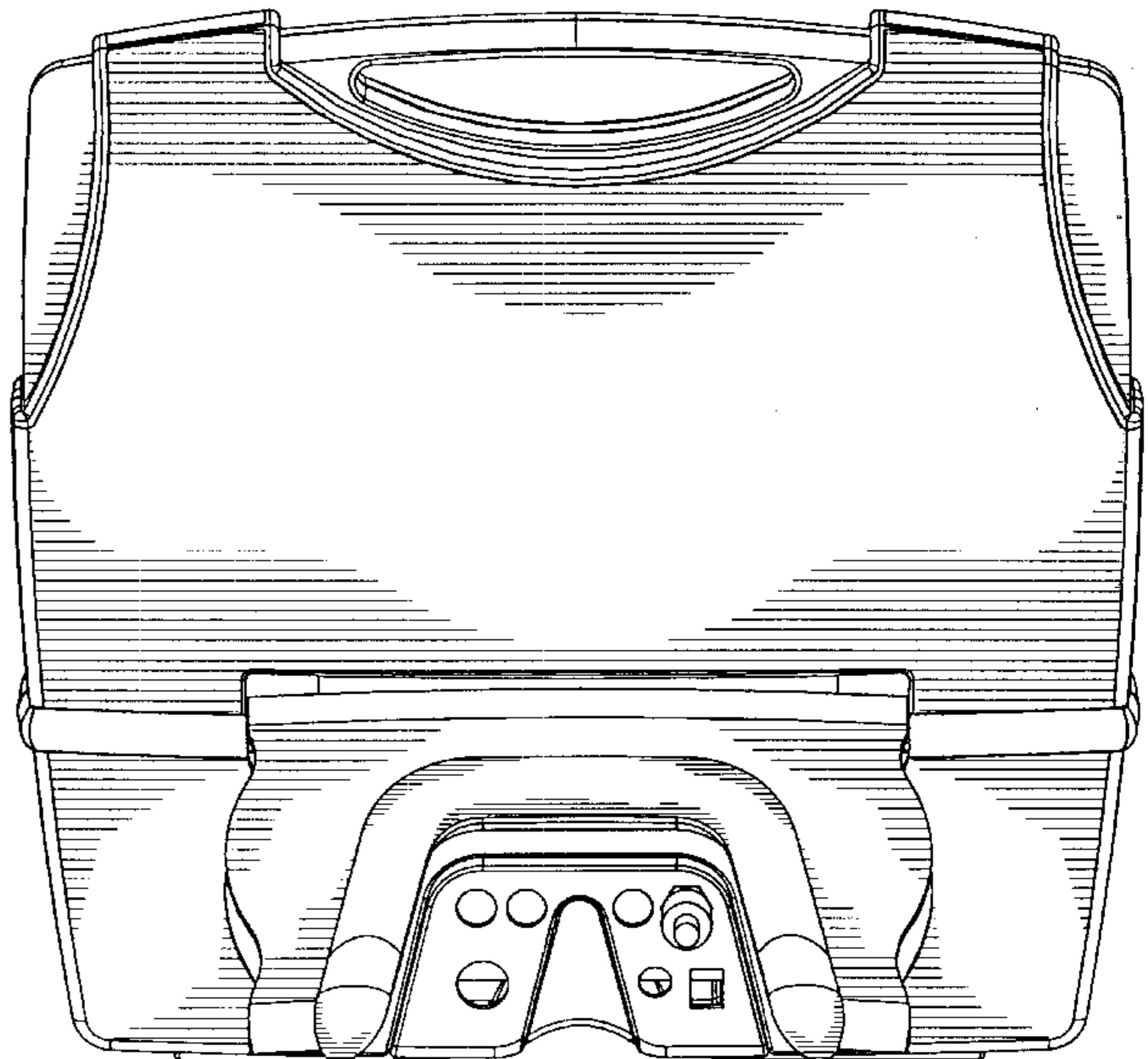
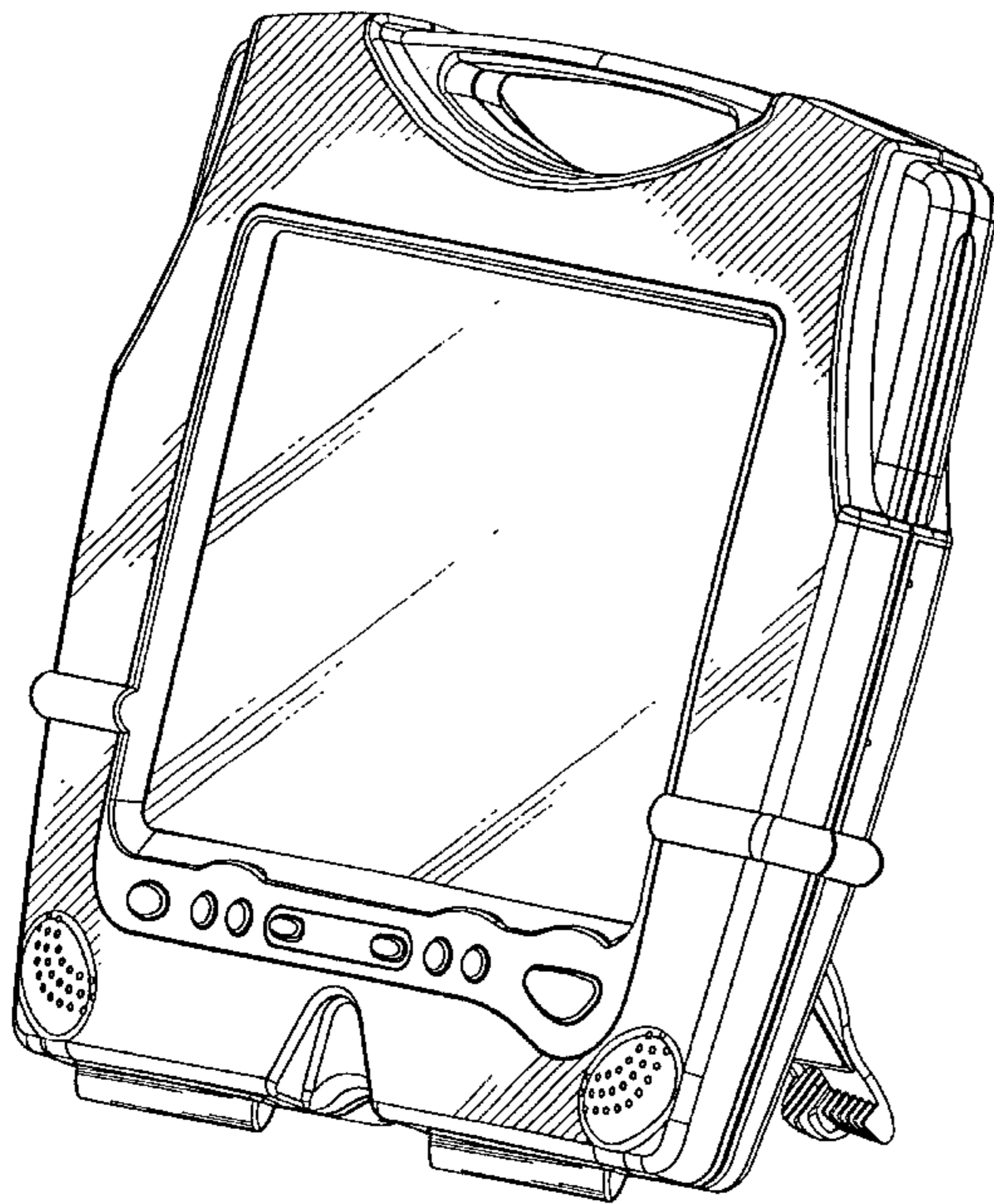
FIG. 1 is a front perspective view thereof;
FIG. 2 is a right side elevational view thereof;
FIG. 3 is a top plane view thereof;
FIG. 4 is a front elevational view thereof;
FIG. 5 is a bottom plane view thereof;
FIG. 6 is a left side elevational view thereof;
FIG. 7 is a rear elevational view thereof; and,
FIG. 8 is a right side elevational view with the legs in a closed state thereof.

(56) **References Cited**

U.S. PATENT DOCUMENTS

D323,324 S * 1/1992 Suda D14/125

1 Claim, 8 Drawing Sheets



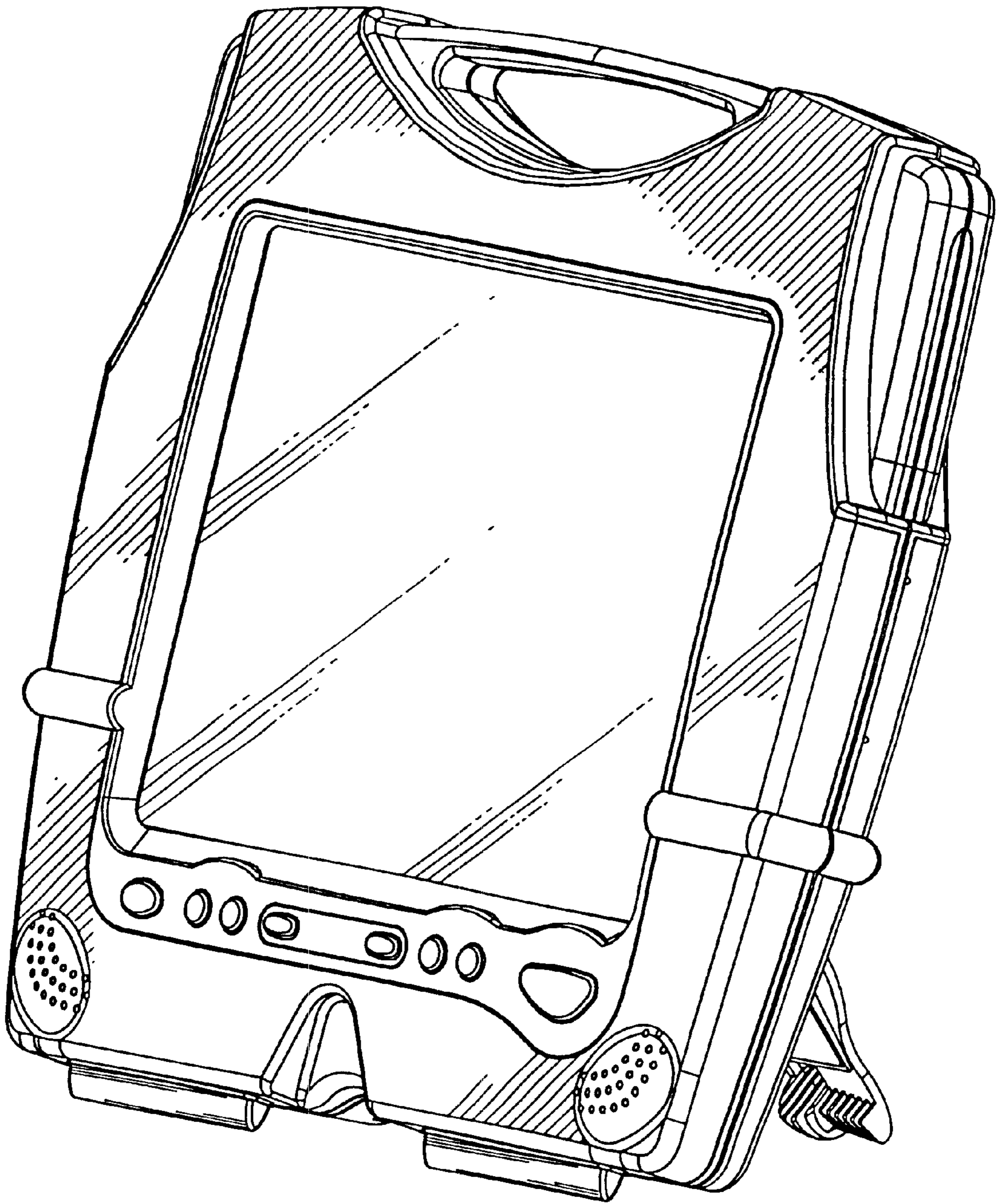


FIG. 1

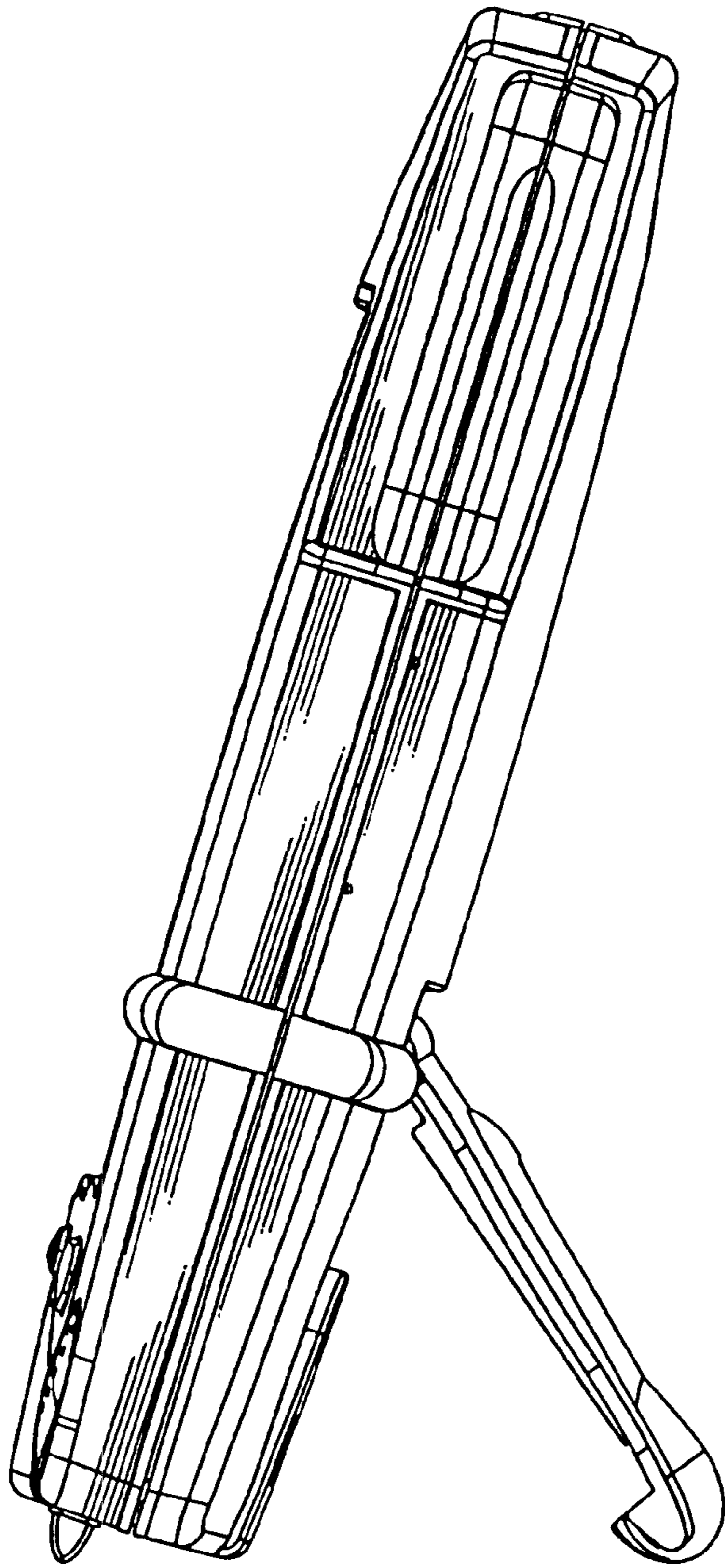


FIG. 2

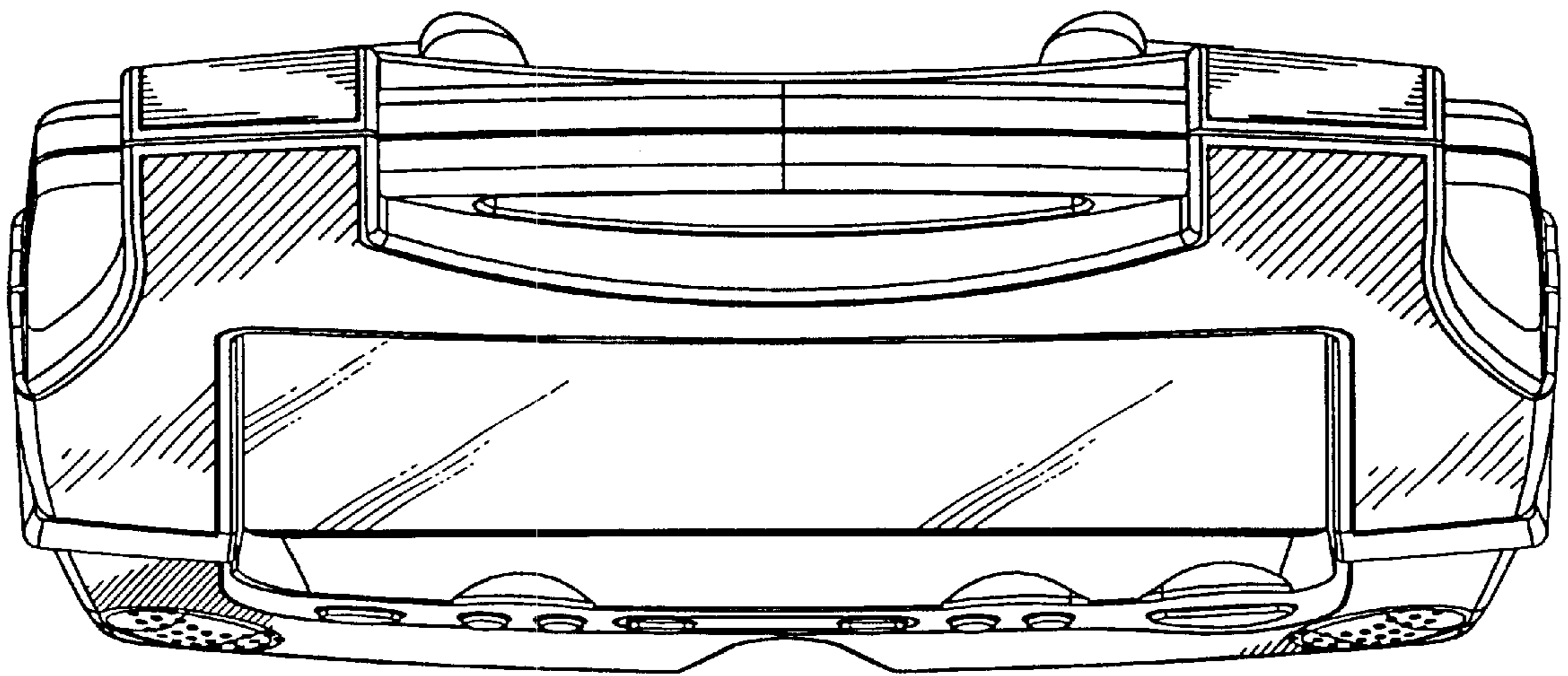


FIG. 3

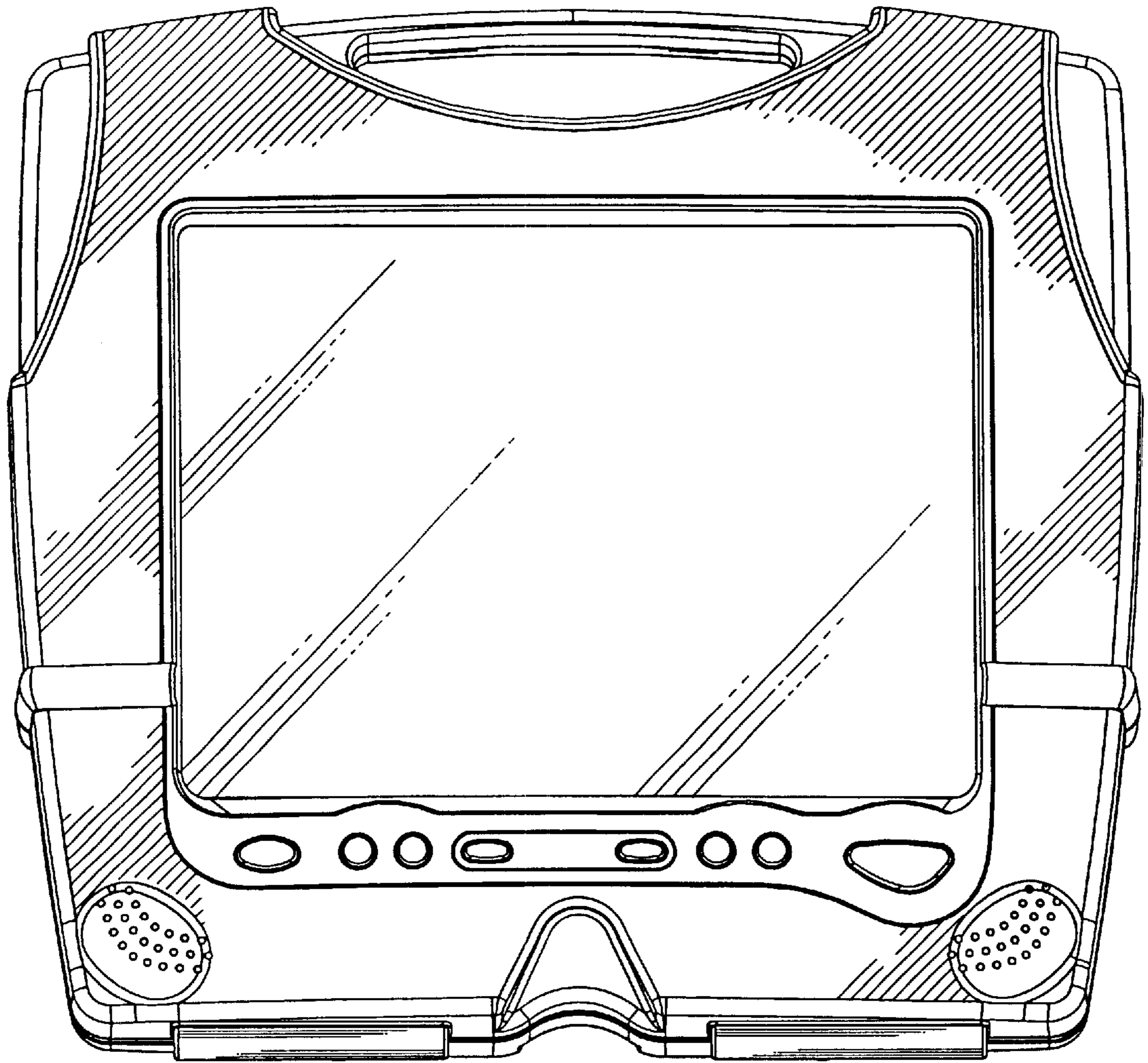


FIG. 4

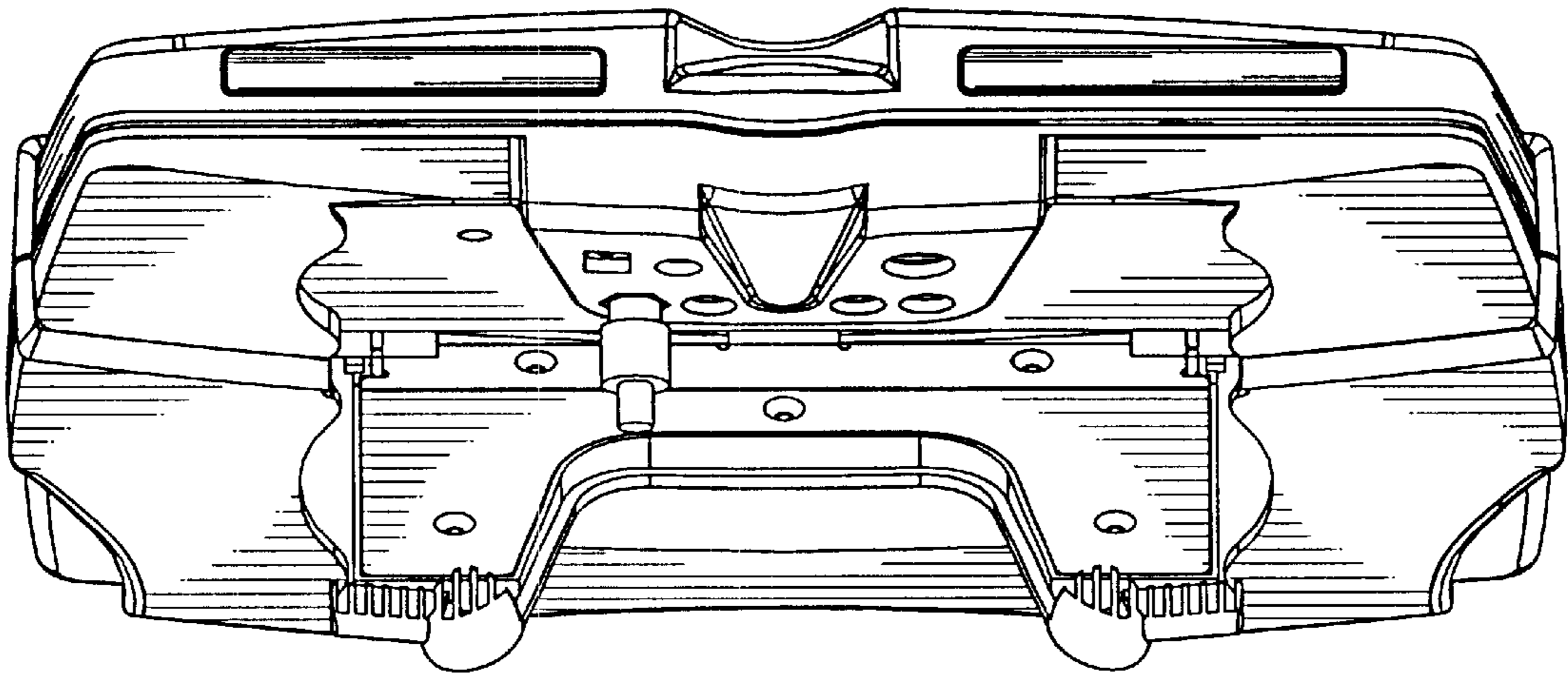


FIG. 5

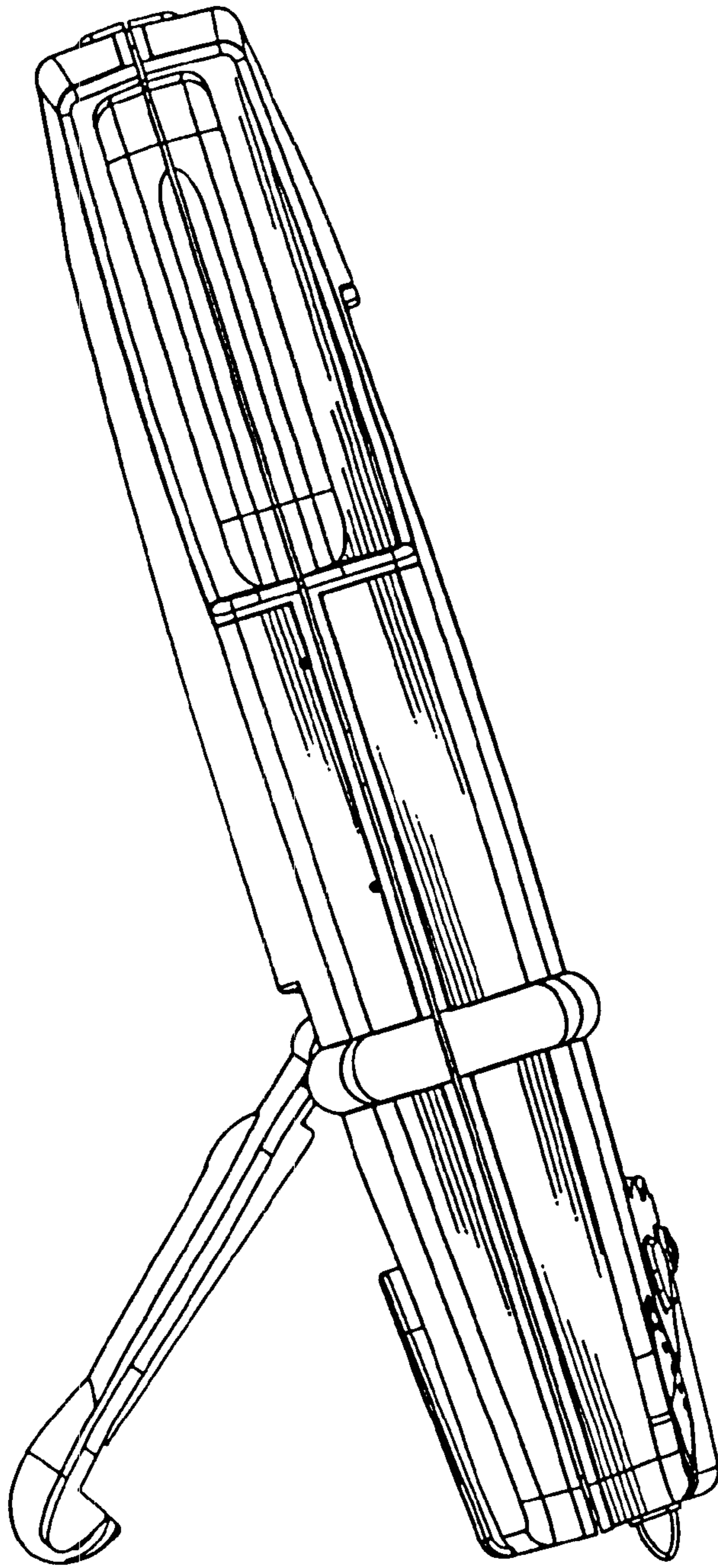


FIG. 6

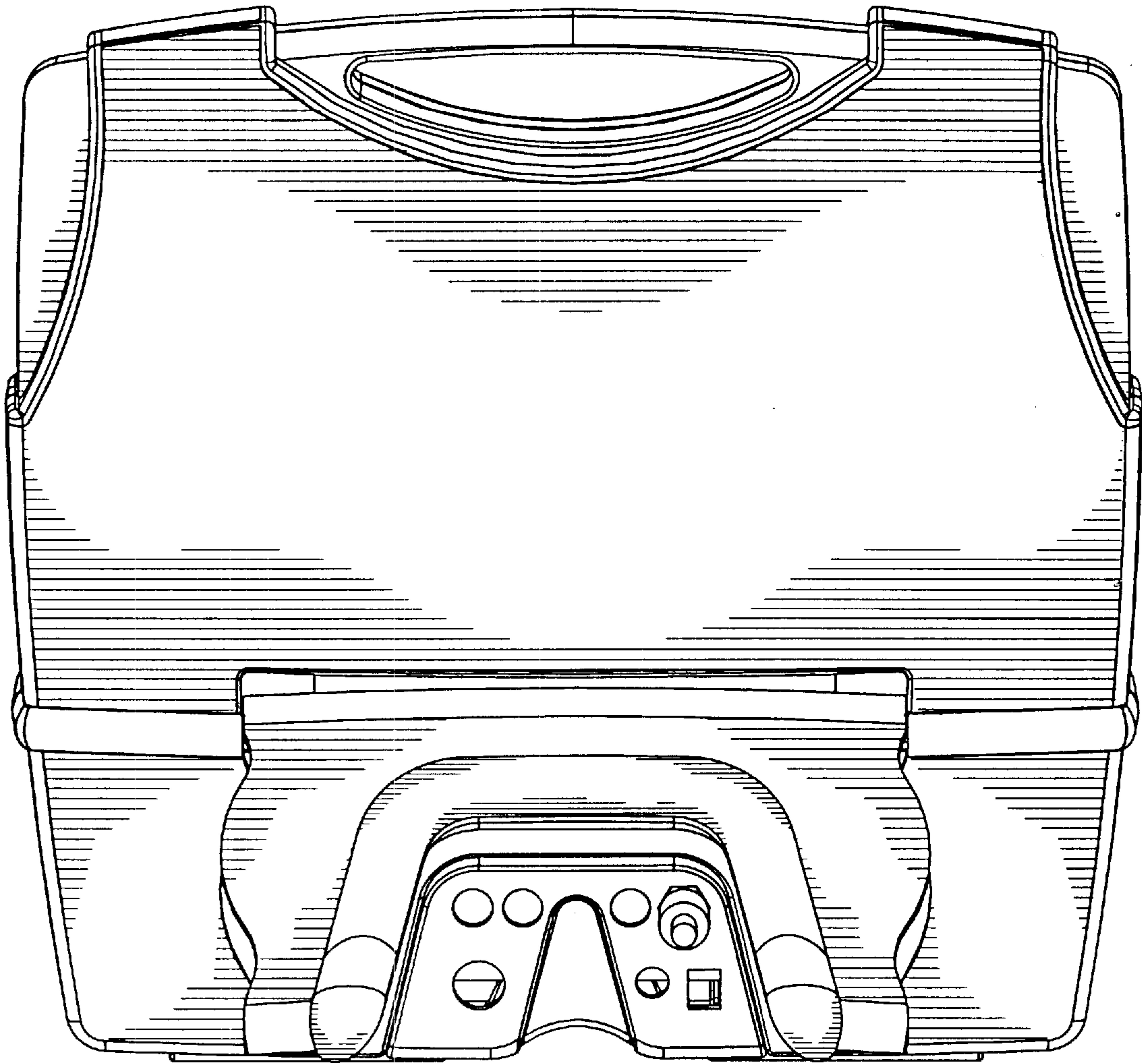


FIG. 7

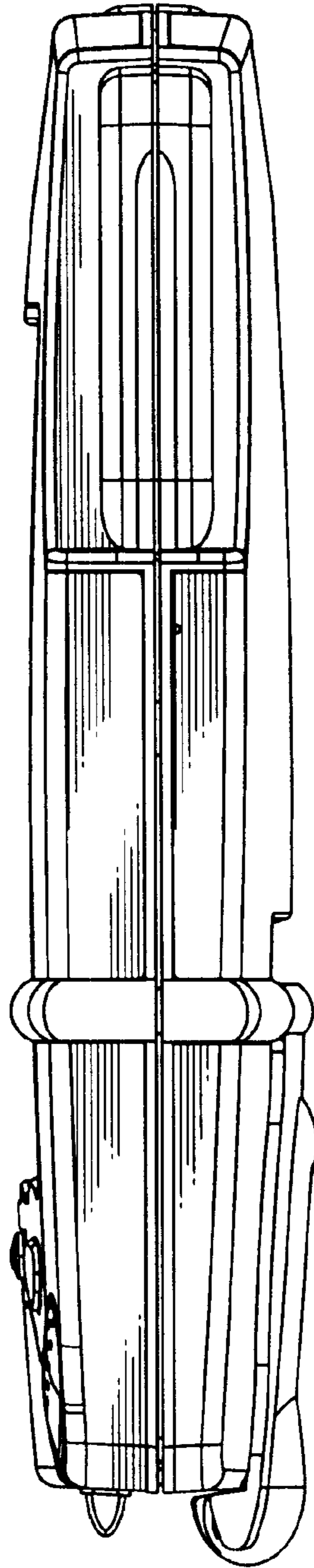


FIG. 8