



US00D469090S

(12) **United States Design Patent**
Tsuji

(10) **Patent No.:**

US D469,090 S

(45) **Date of Patent:**

**** Jan. 21, 2003**

(54) **MONITOR FOR A COMPUTER**

(75) Inventor: **Kensho Tsuji**, Nara-ken (JP)

(73) Assignee: **Sharp Kabushiki Kaisha**, Osaka (JP)

(**) Term: **14 Years**

(21) Appl. No.: **29/157,172**

(22) Filed: **Mar. 15, 2002**

(30) **Foreign Application Priority Data**

Sep. 17, 2001 (JP) 2001-027288

(51) **LOC (7) Cl.** **14-02**

(52) **U.S. Cl.** **D14/374**

(58) **Field of Search** D14/371, 374,
D14/125-129; 345/104, 156, 168, 173;
348/180, 184, 325, 739; 349/1, 2, 11, 62;
248/917-924; 341/12; D20/10

(56) **References Cited**

U.S. PATENT DOCUMENTS

D382,259 S * 8/1997 Nagai et al. D14/374

D395,454 S * 6/1998 Hayashi D20/10
D403,309 S * 12/1998 Takemasa et al. D14/374
D422,575 S * 4/2000 Tikhonski et al. D14/374
D424,068 S * 5/2000 Takemasa D14/374
D424,538 S * 5/2000 Hayashi et al. D14/374

* cited by examiner

Primary Examiner—Freda Nunn

(74) *Attorney, Agent, or Firm*—Nixon & Vanderhye

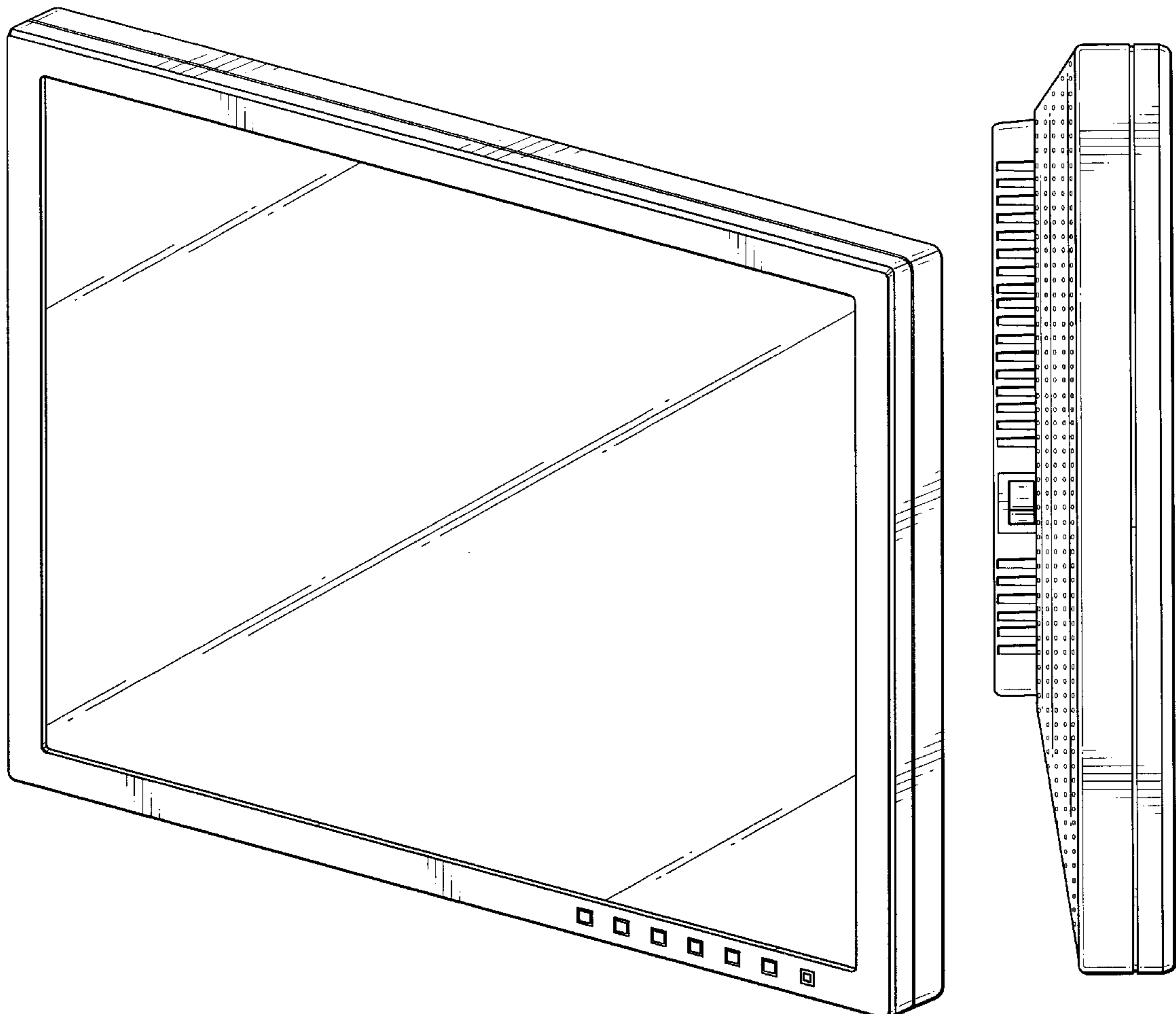
(57) **CLAIM**

The ornamental design for a monitor for a computer, as shown and described.

DESCRIPTION

FIG. 1 is a top, front and right side perspective view of a monitor for a computer according to my design; FIG. 2 is a front elevational view thereof; FIG. 3 is a rear elevational view thereof; FIG. 4 is a top plan view thereof; FIG. 5 is a bottom plan view thereof; FIG. 6 is a right side elevational view thereof; and, FIG. 7 is a left side elevational view thereof.

1 Claim, 6 Drawing Sheets



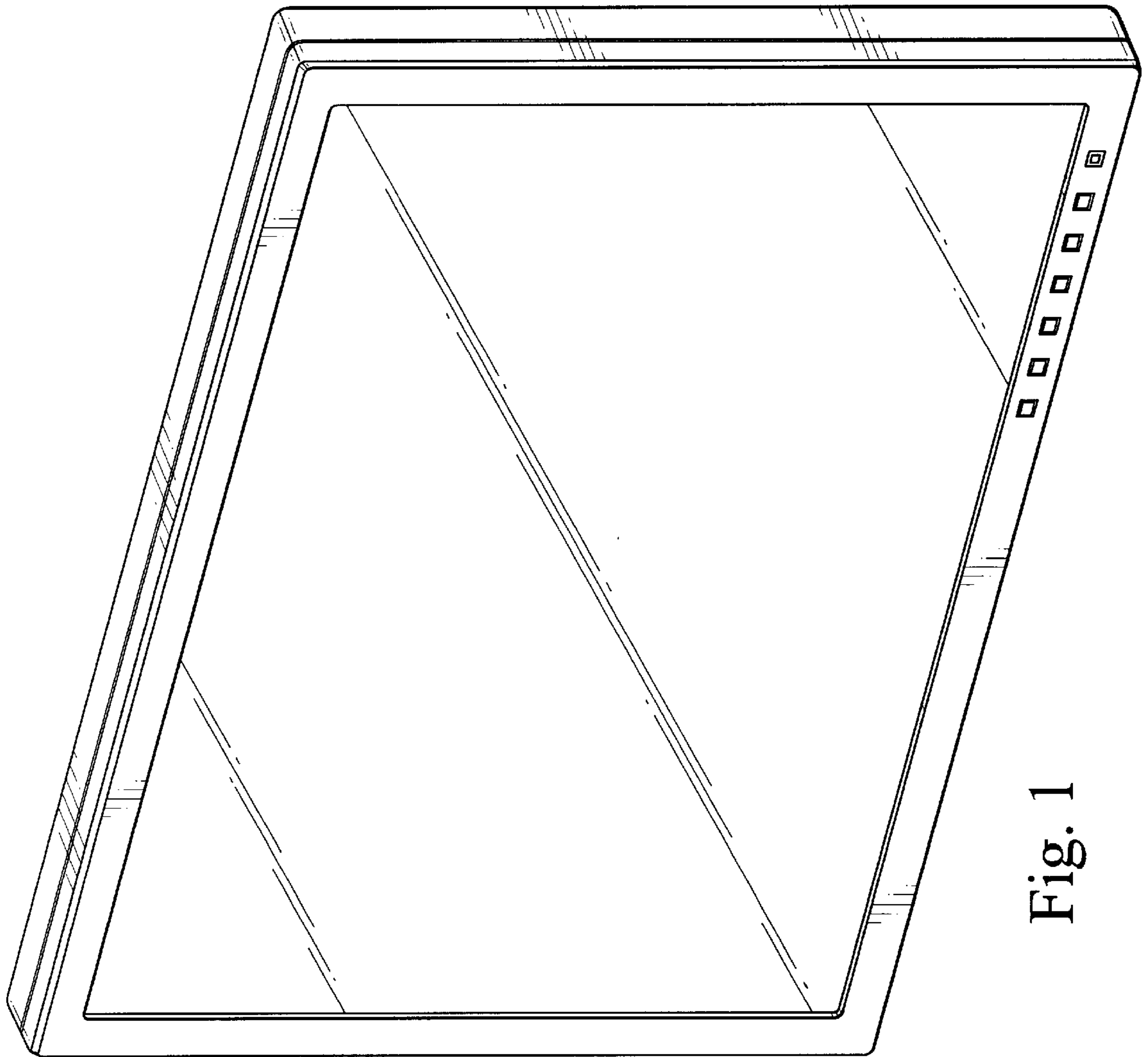


Fig. 1

Fig. 2

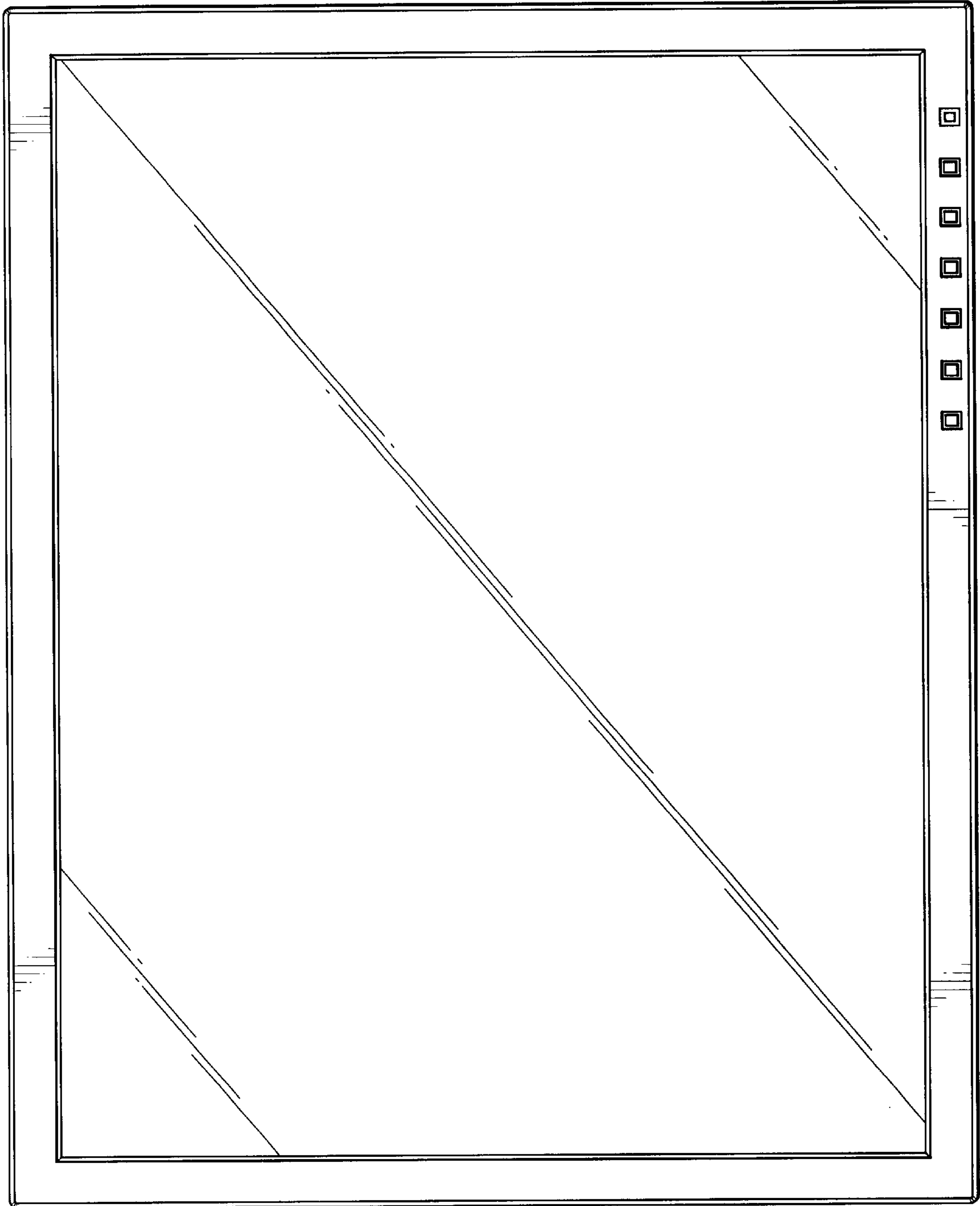
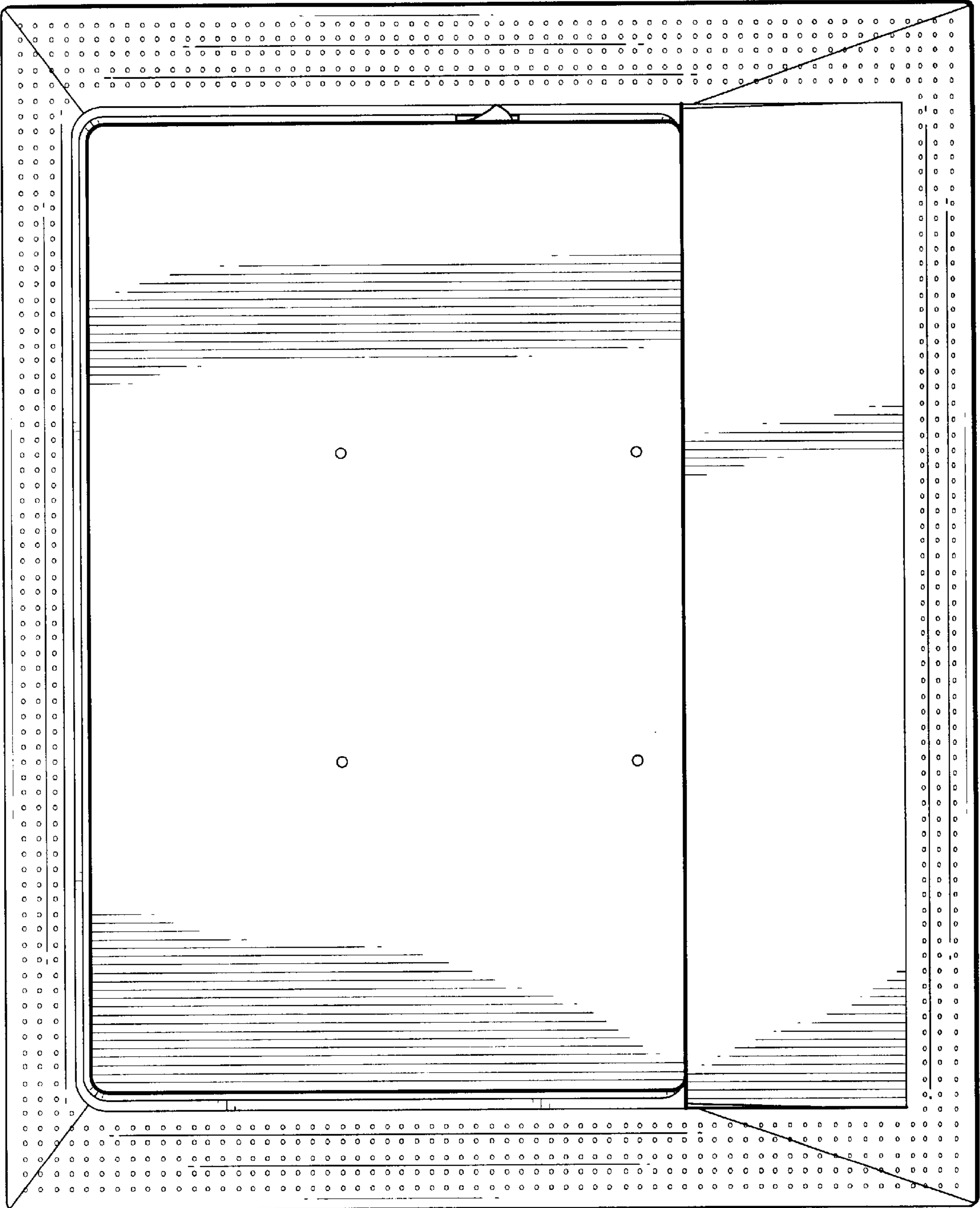


Fig. 3



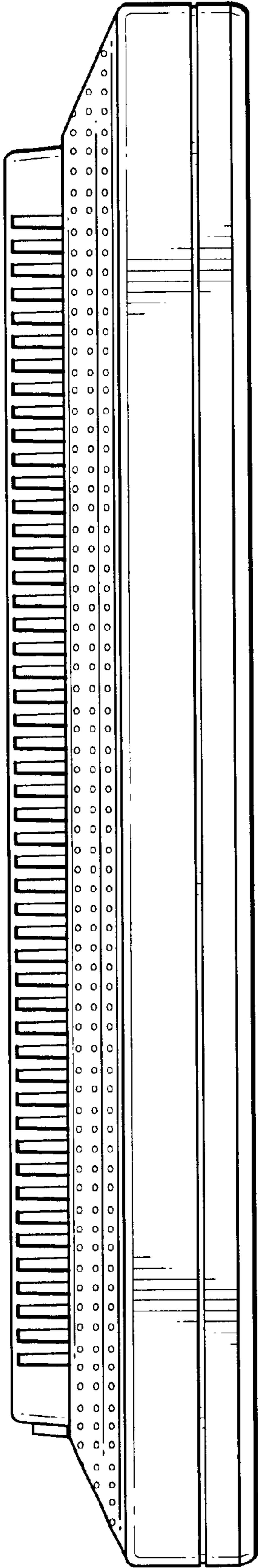


Fig. 4

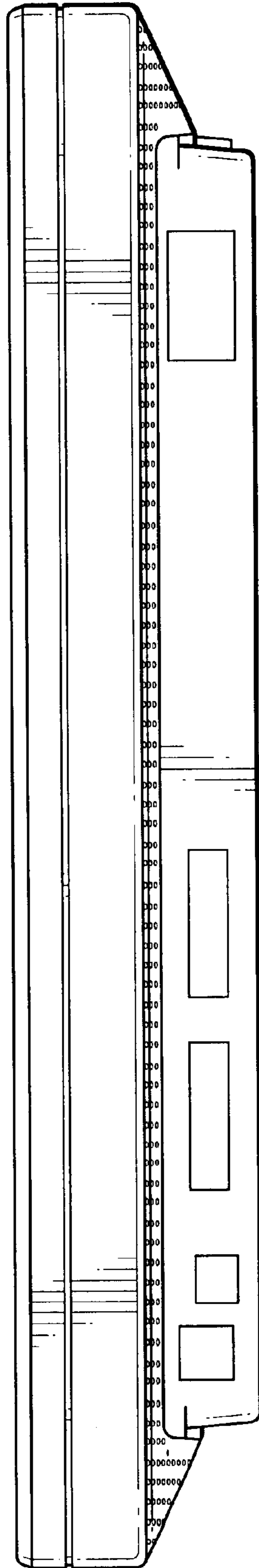


Fig. 5

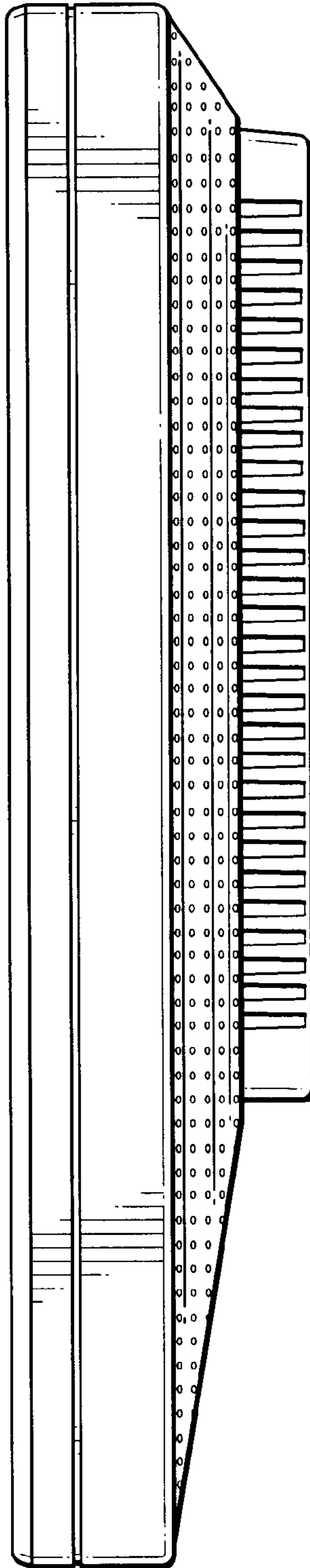


Fig. 6

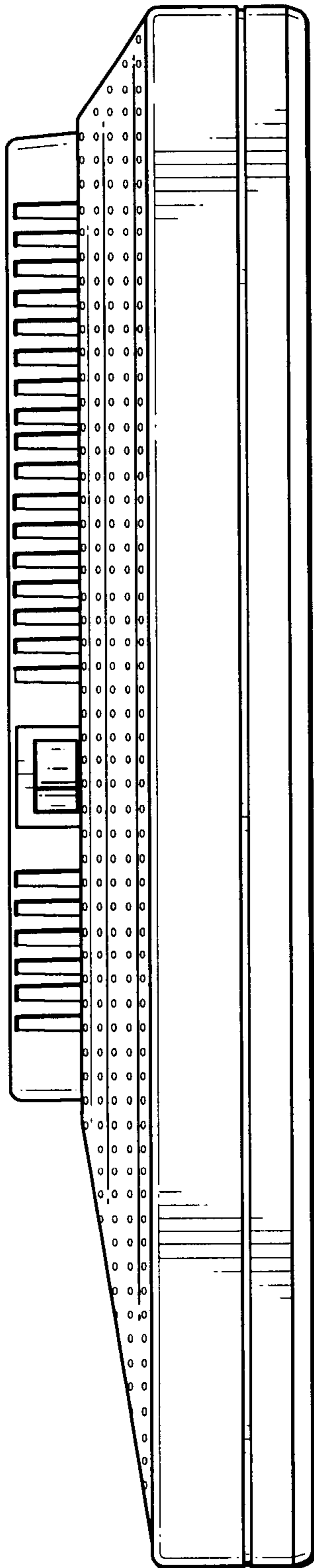


Fig. 7