



US00D469088S

(12) **United States Design Patent**  
**Kline et al.**

(10) **Patent No.:** **US D469,088 S**

(45) **Date of Patent:** **\*\* Jan. 21, 2003**

(54) **COMPUTER AND EXPANSION UNIT ENCLOSURE**

(75) Inventors: **Jeff L. Kline**, Austin, TX (US); **Tim K. Murphy**, Chicago, IL (US); **Roland Zapfe**, Rochester, MN (US)

(73) Assignee: **International Business Machines Corporation**, Armonk, NY (US)

(\*\*) Term: **14 Years**

(21) Appl. No.: **29/139,499**

(22) Filed: **Mar. 30, 2001**

(51) **LOC (7) Cl.** ..... **14-02**

(52) **U.S. Cl.** ..... **D14/351**

(58) **Field of Search** ..... D14/348, 349, D14/351, 352, 353, 354, 356; D13/162, 184, 199; 312/223.1, 223.2, 223.3; 360/99.01, 99.12; 361/690-696

(56) **References Cited**

**U.S. PATENT DOCUMENTS**

D360,405 S \* 7/1995 Hill et al. .... D14/351  
D360,406 S \* 7/1995 Hill et al. .... D14/351

D366,462 S \* 1/1996 Hill et al. .... D14/351  
D382,859 S \* 8/1997 Alfonso et al. .... D14/349  
D393,833 S \* 4/1998 Aderman et al. .... D14/351  
D438,203 S \* 2/2001 Lai ..... D14/349

\* cited by examiner

*Primary Examiner*—Freda Nunn

(74) *Attorney, Agent, or Firm*—James R. Nock

(57) **CLAIM**

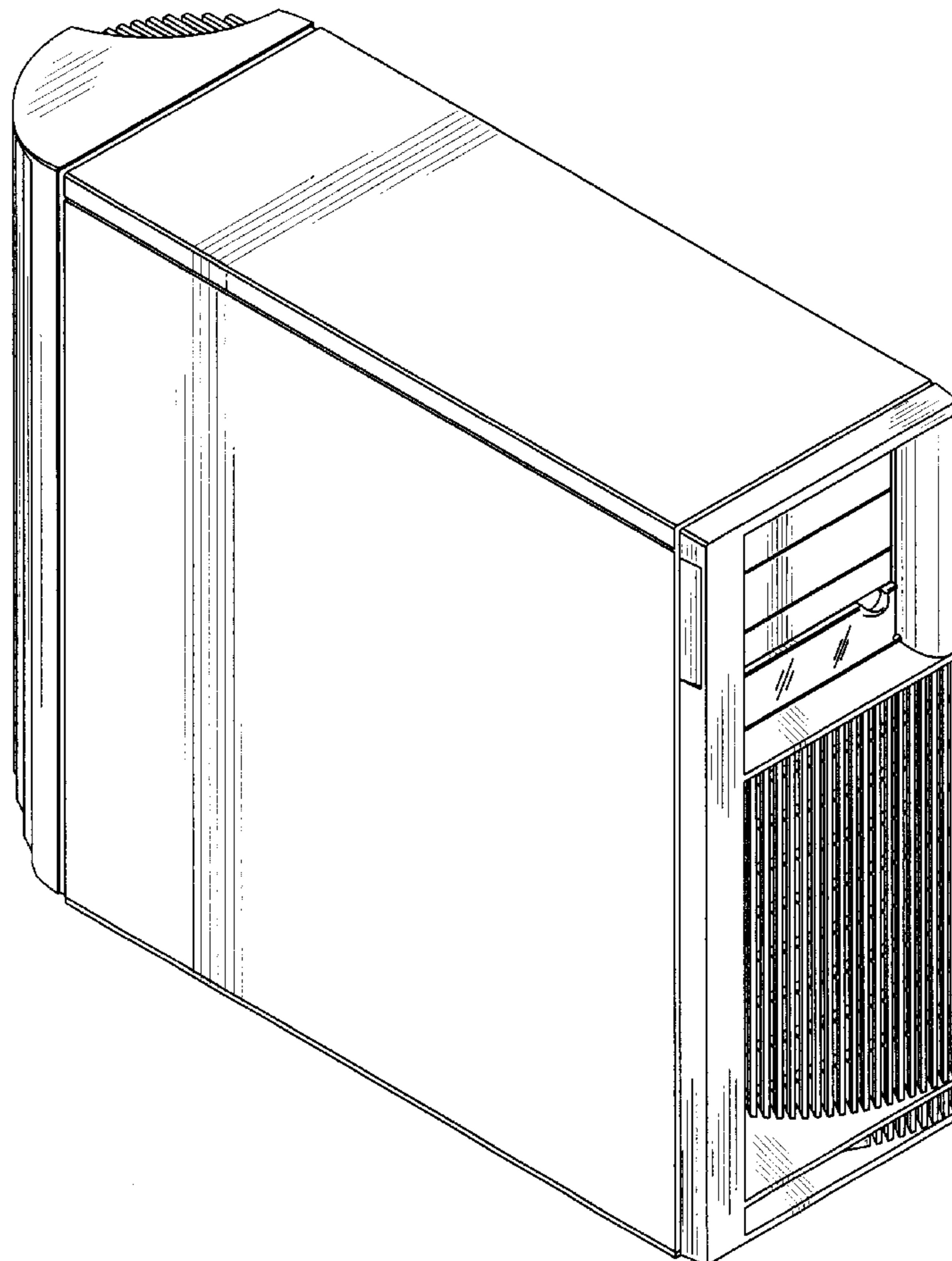
The ornamental design for a computer and expansion unit enclosure, as shown and described.

**DESCRIPTION**

FIG. 1 is a top, front, left side isometric view of a computer and expansion unit enclosure, showing our new design; FIG. 2 is a top, rear, right side isometric view thereof; FIG. 3 is a front view thereof; FIG. 4 is a top plan view thereof; FIG. 5 is a right side view thereof; FIG. 6 is a left side view thereof; and, FIG. 7 is a rear view thereof.

The bottom of the computer and expansion unit enclosure is unornamented.

**1 Claim, 7 Drawing Sheets**



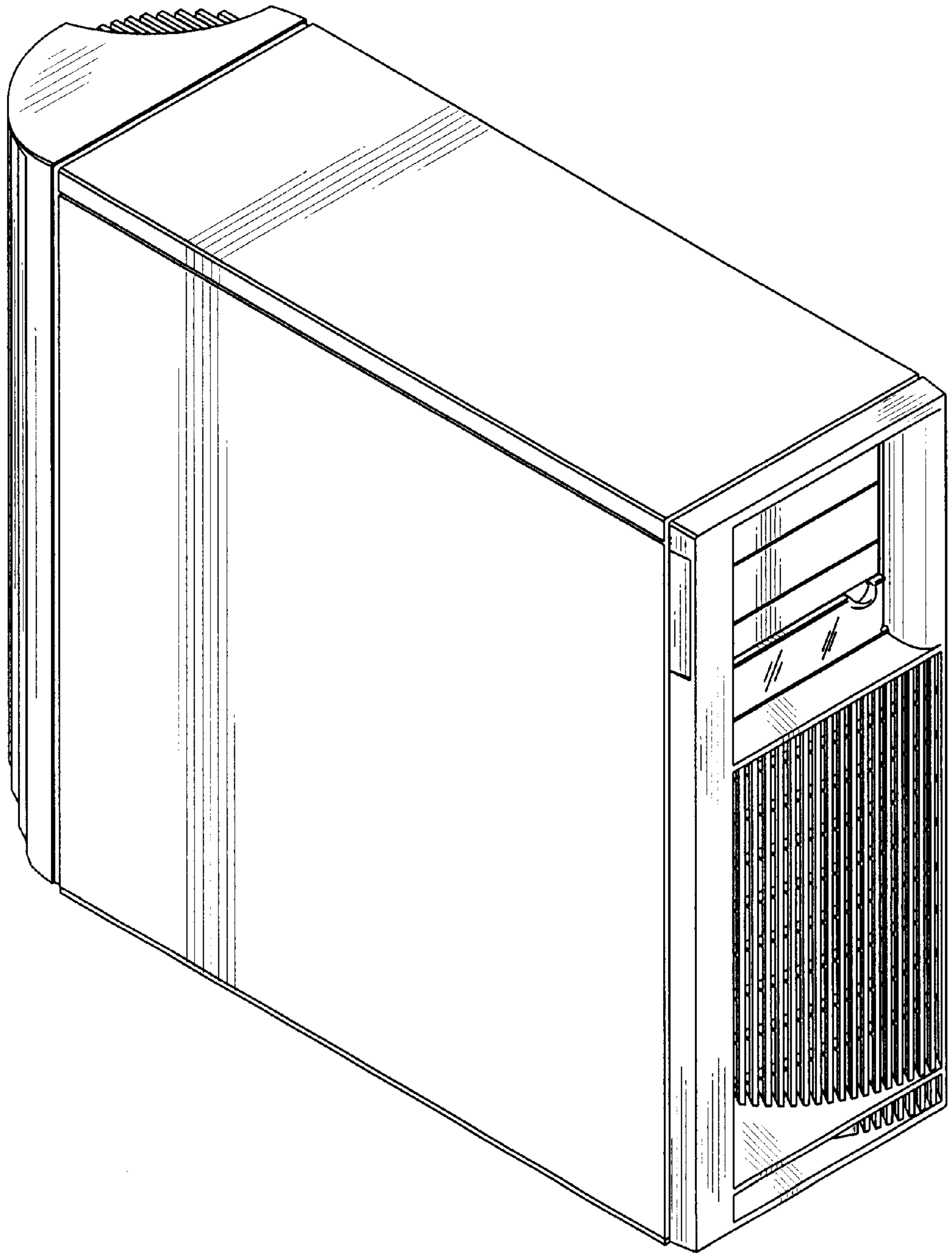


FIG. 1

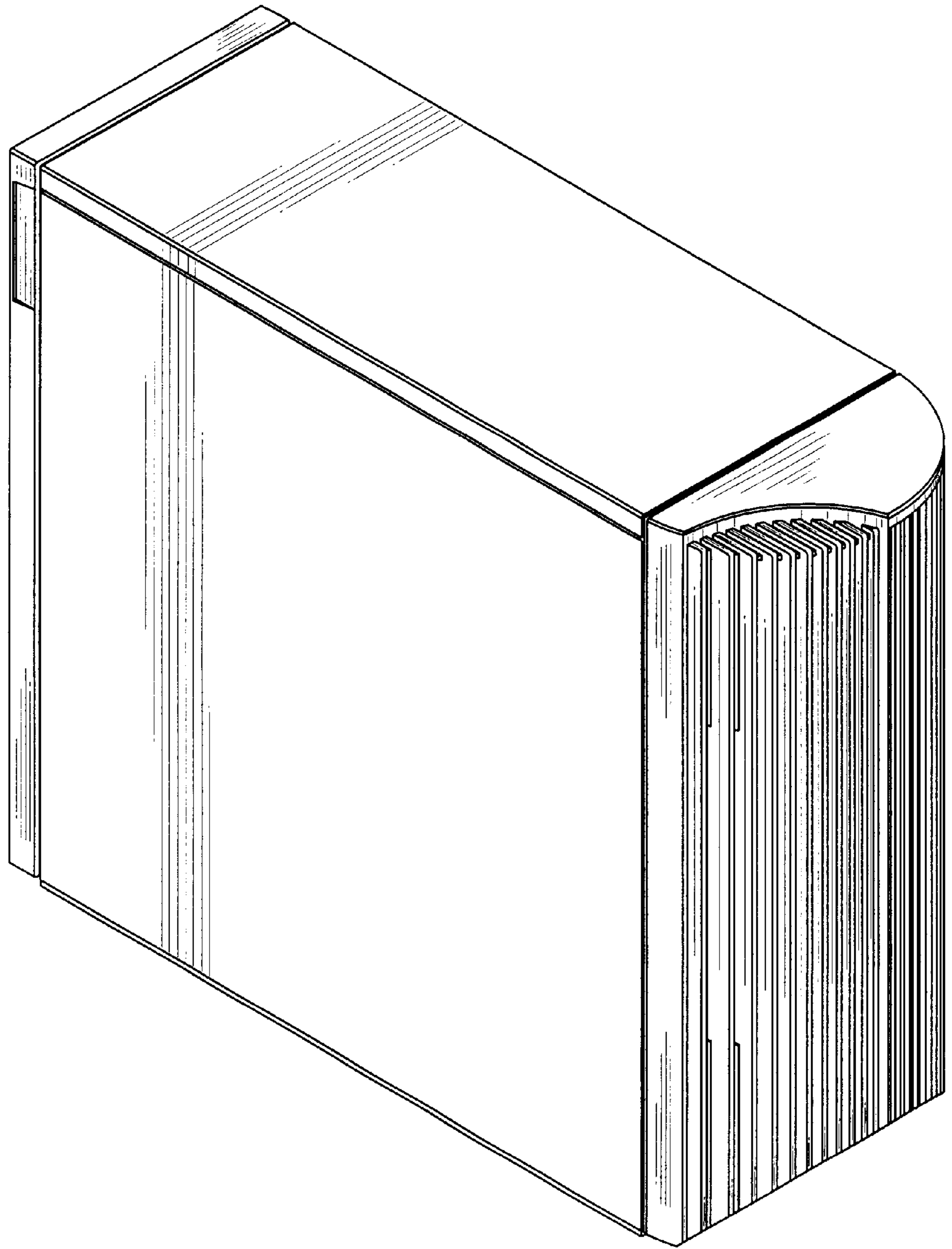


FIG. 2

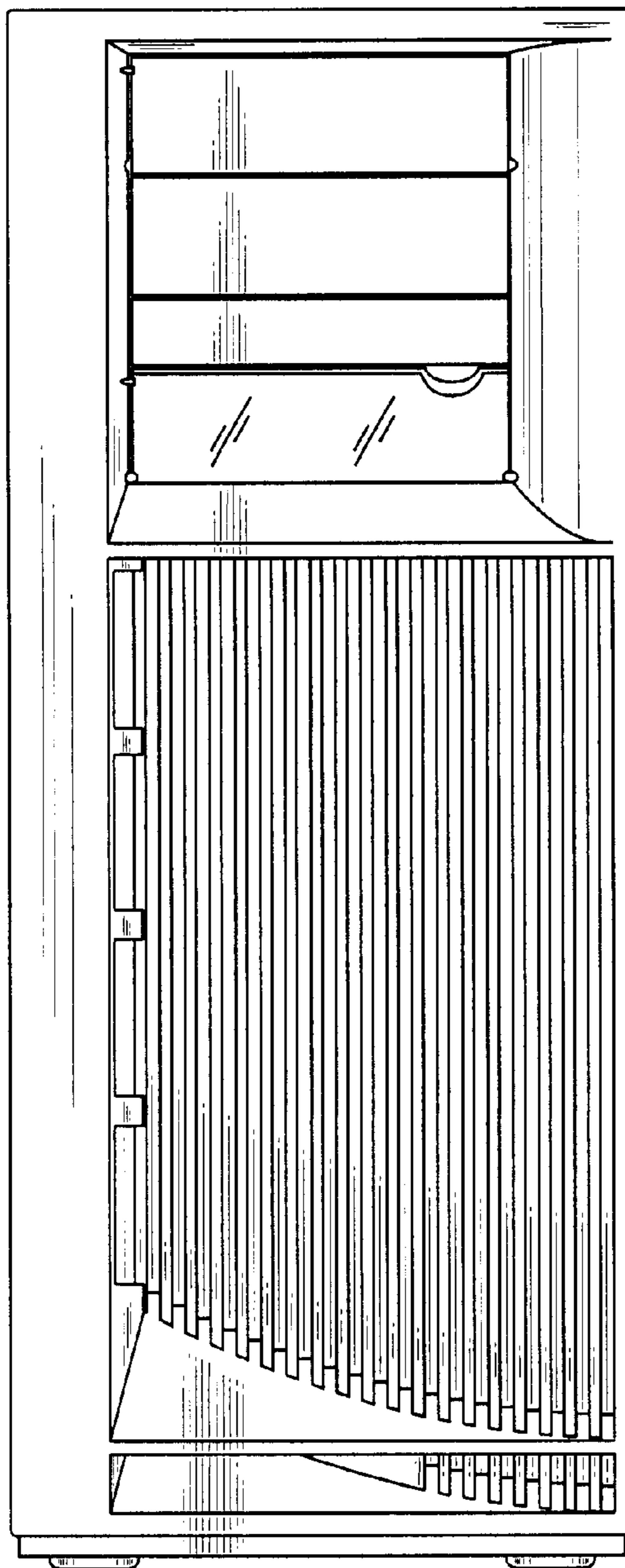


FIG. 3

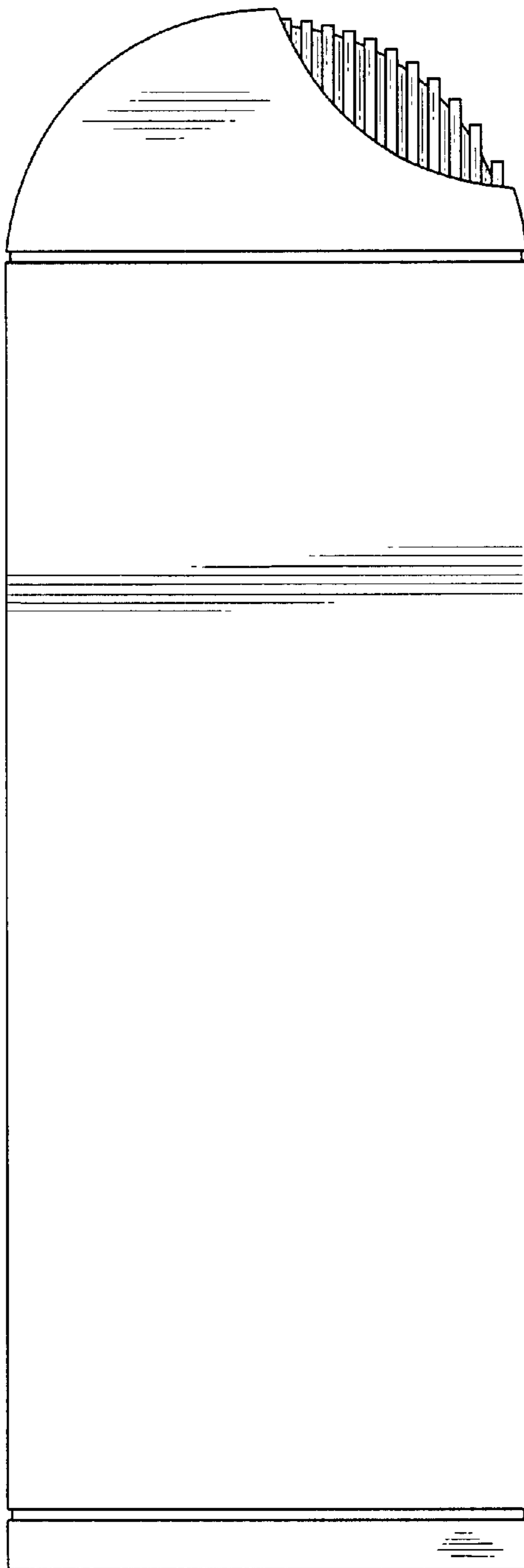


FIG. 4

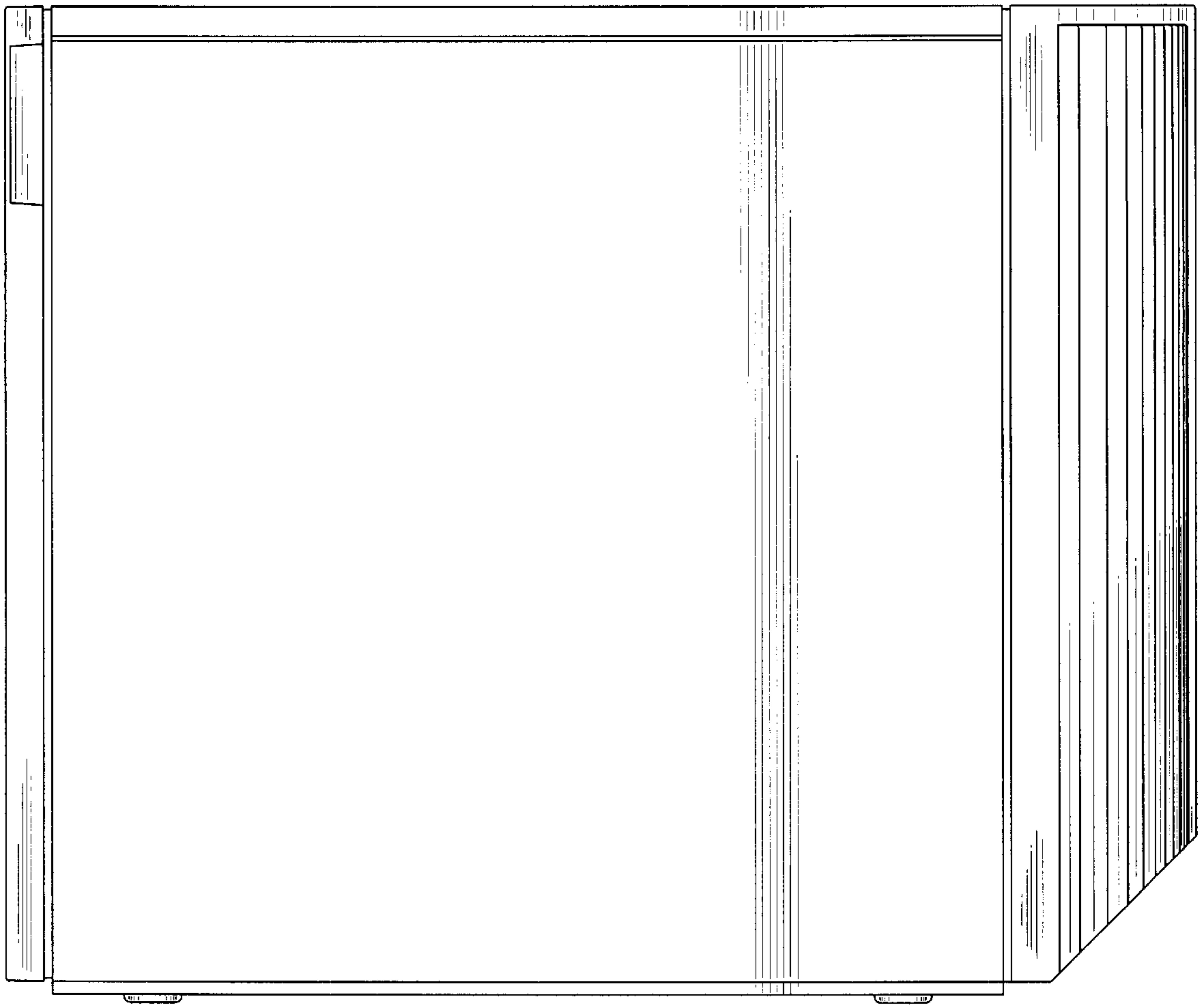


FIG. 5

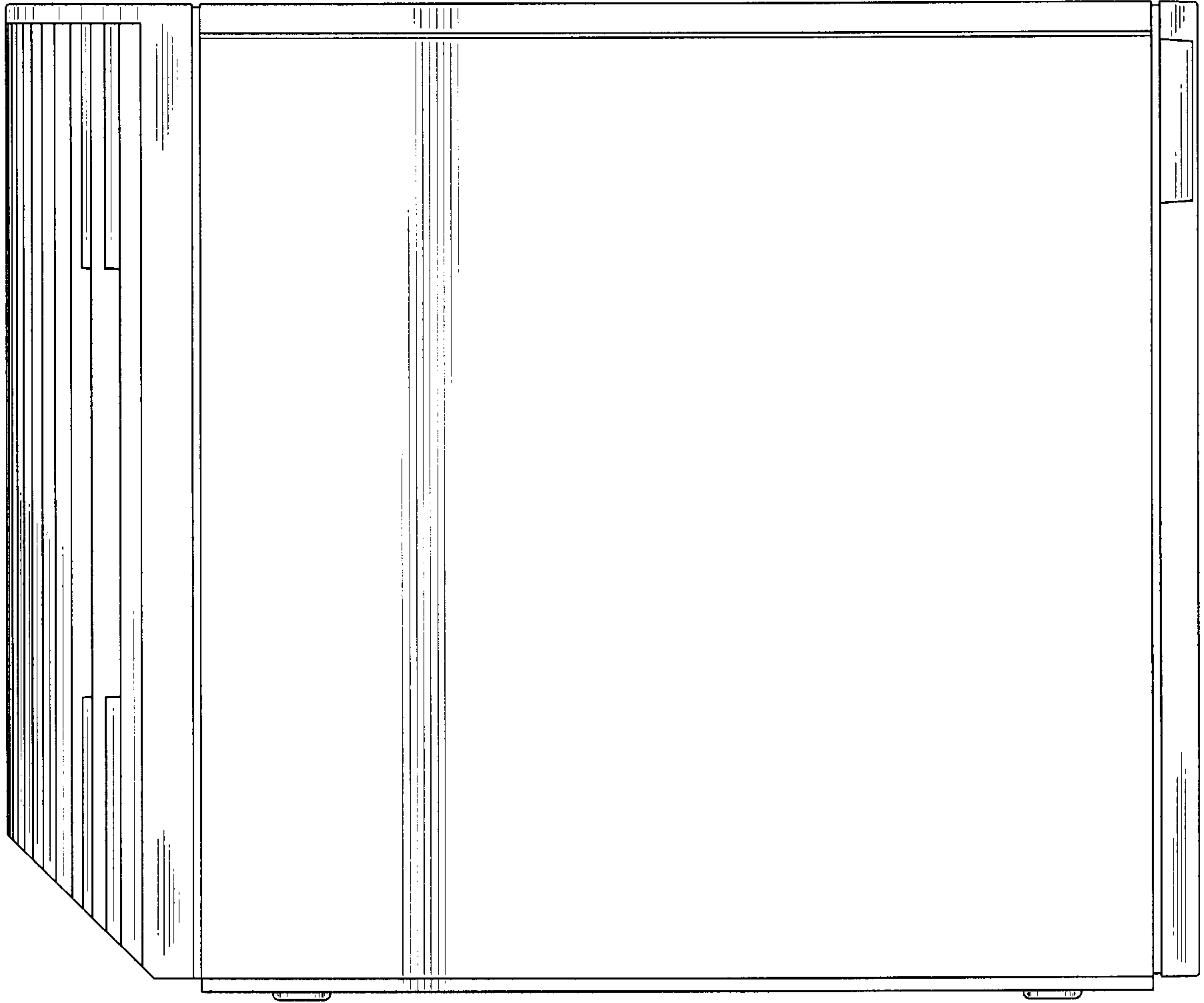


FIG. 6

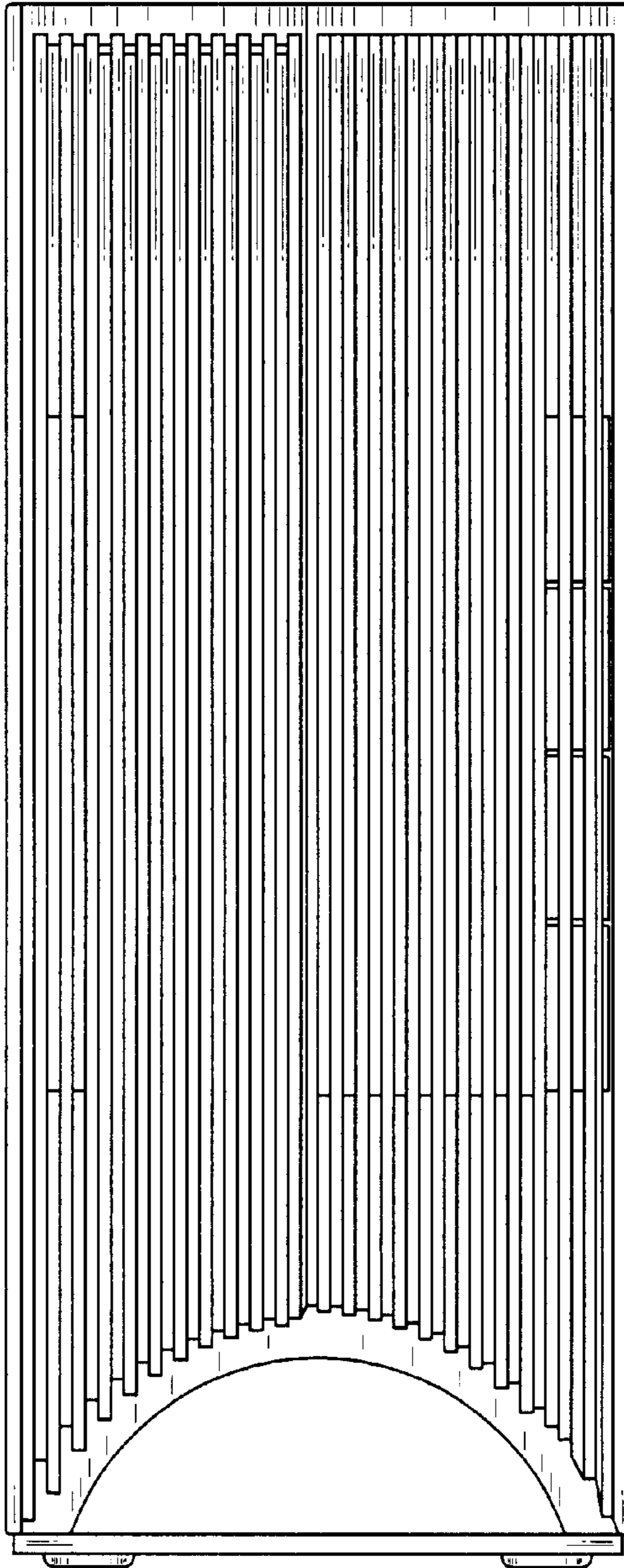


FIG. 7