



US00D469087S

(12) **United States Design Patent**
Sue et al.

(10) **Patent No.:** **US D469,087 S**

(45) **Date of Patent:** **** Jan. 21, 2003**

(54) **COMPUTER**

(75) Inventors: **Hideo Sue**, Tokyo (JP); **Shinya Akamatsu**, Tokyo (JP); **Shinji Mine**, Yamanashi (JP); **Tadao Hosaka**, Yamanashi (JP); **Tetsuya Nagata**, Tokyo (JP)

(73) Assignee: **NEC Corporation**, Tokyo (JP)

(**) Term: **14 Years**

(21) Appl. No.: **29/153,452**

(22) Filed: **Jan. 10, 2002**

(30) **Foreign Application Priority Data**

Jul. 11, 2001 (JP) 2001-020366

(51) **LOC (7) Cl.** **14-02**

(52) **U.S. Cl.** **D14/349**

(58) **Field of Search** D14/349, 353-356, D14/363, 364, 368, 444; D13/162, 184, 199; 312/223.1-223.3; 360/99.01-99.12; 361/690-696; 369/34.01, 36.01

(56) **References Cited**

U.S. PATENT DOCUMENTS

D331,574 S * 12/1992 Ito et al. D14/368

D349,890 S * 8/1994 Kabumoto D14/368
D379,351 S * 5/1997 Armstrong et al. D14/363
D435,559 S * 12/2000 Tanaka D14/444
D449,298 S * 10/2001 Matsuoka D14/349

* cited by examiner

Primary Examiner—Freda Nunn

(74) *Attorney, Agent, or Firm*—Sughrue Mion, PLLC

(57) **CLAIM**

The ornamental design for a computer, as shown.

DESCRIPTION

FIG. 1 is a perspective view of the top, front and right side of a computer showing our new design;

FIG. 2 is a front elevational view thereof;

FIG. 3 is a rear elevational view thereof;

FIG. 4 is a left side elevational view thereof;

FIG. 5 is a right side elevational view thereof;

FIG. 6 is a top plan view thereof; and,

FIG. 7 is a bottom plan view thereof.

1 Claim, 4 Drawing Sheets

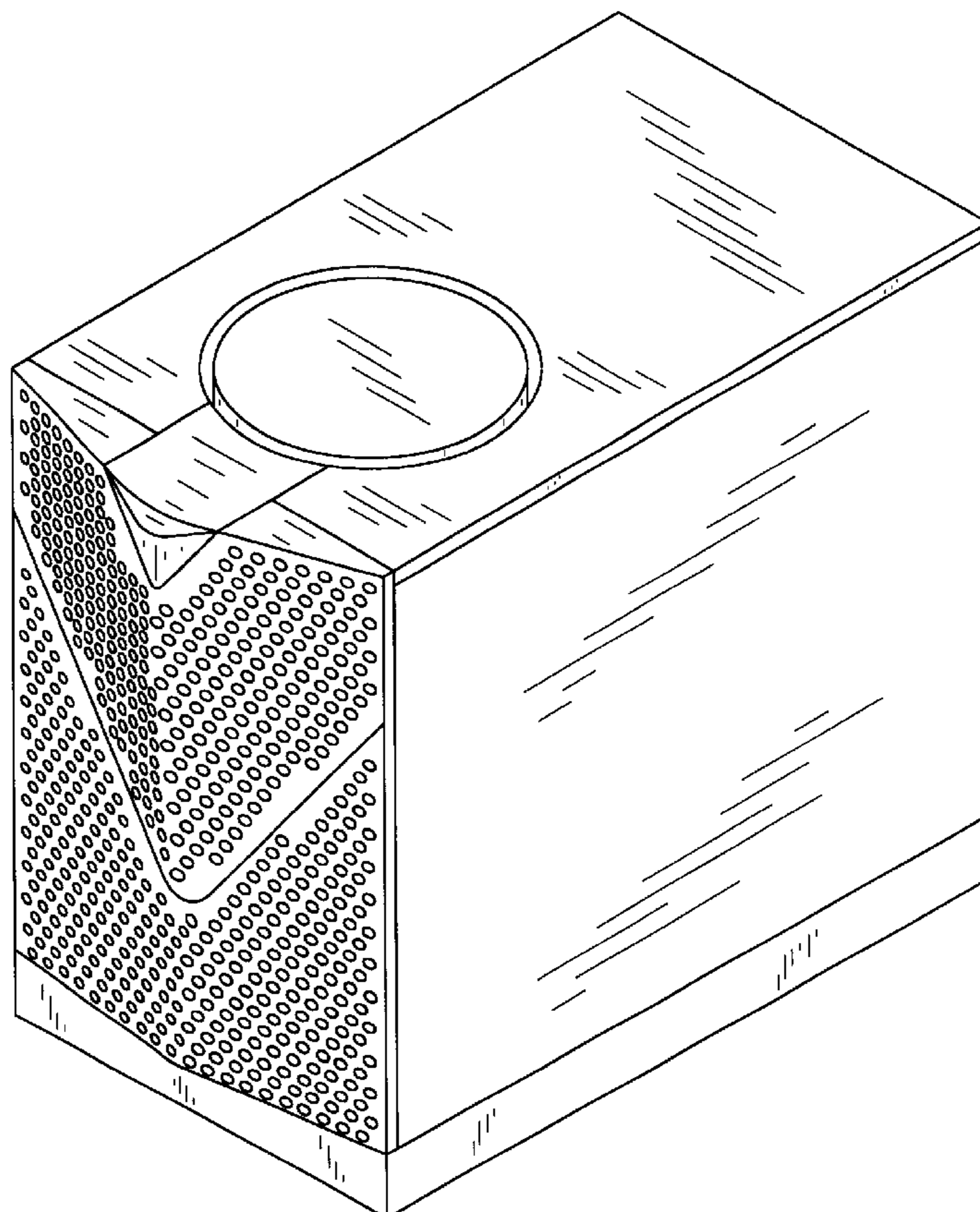


FIG. 1

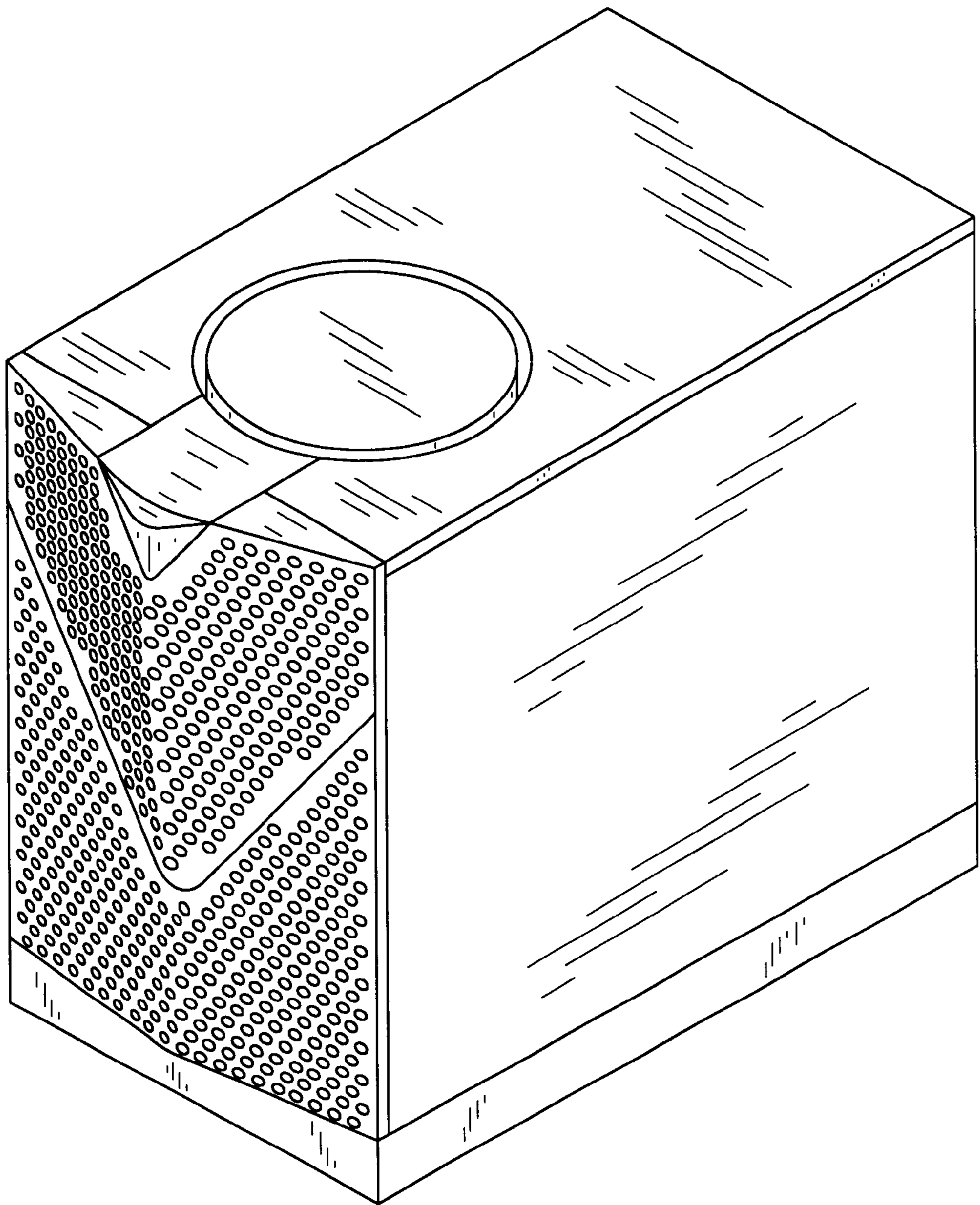


FIG. 2

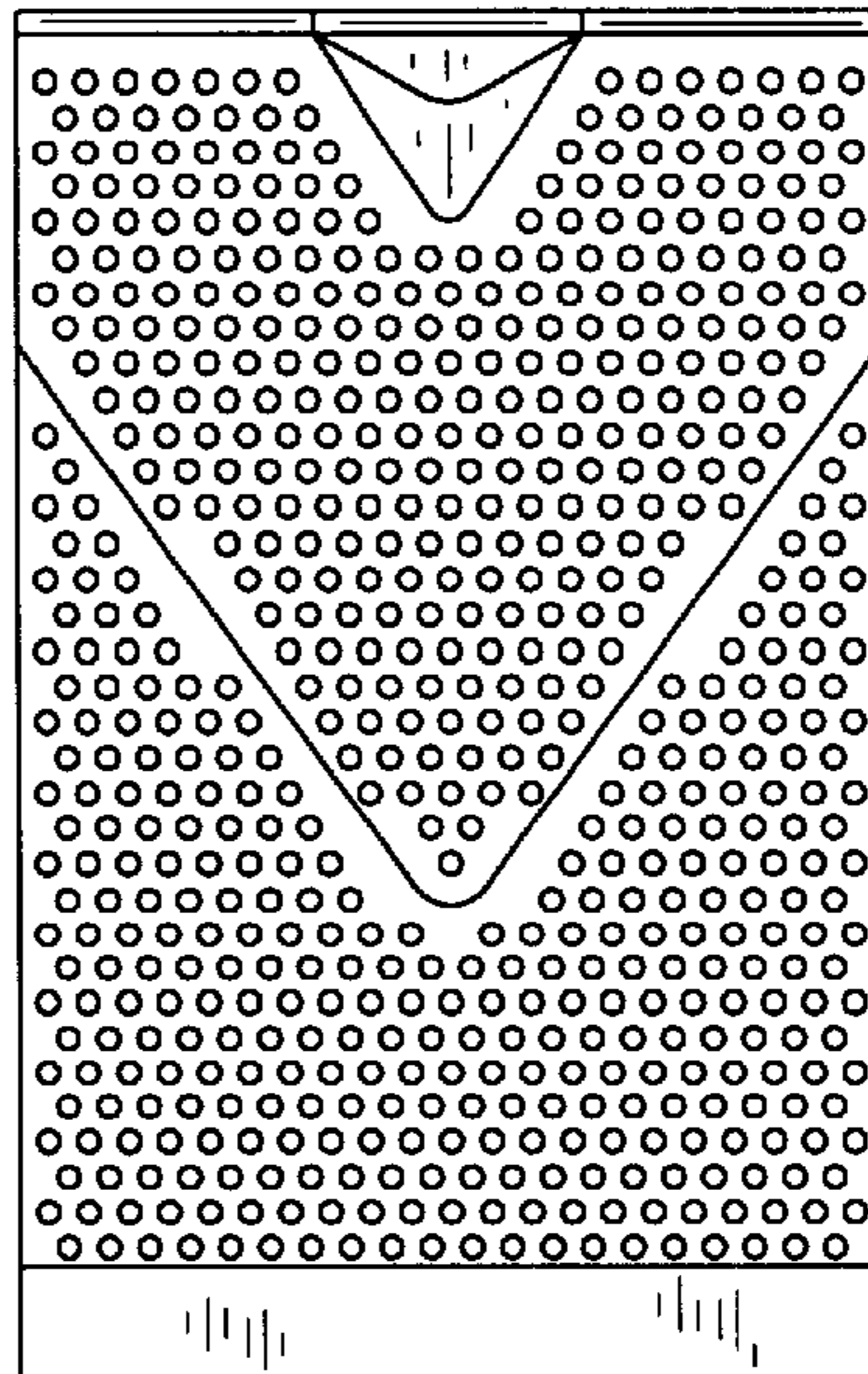


FIG. 3

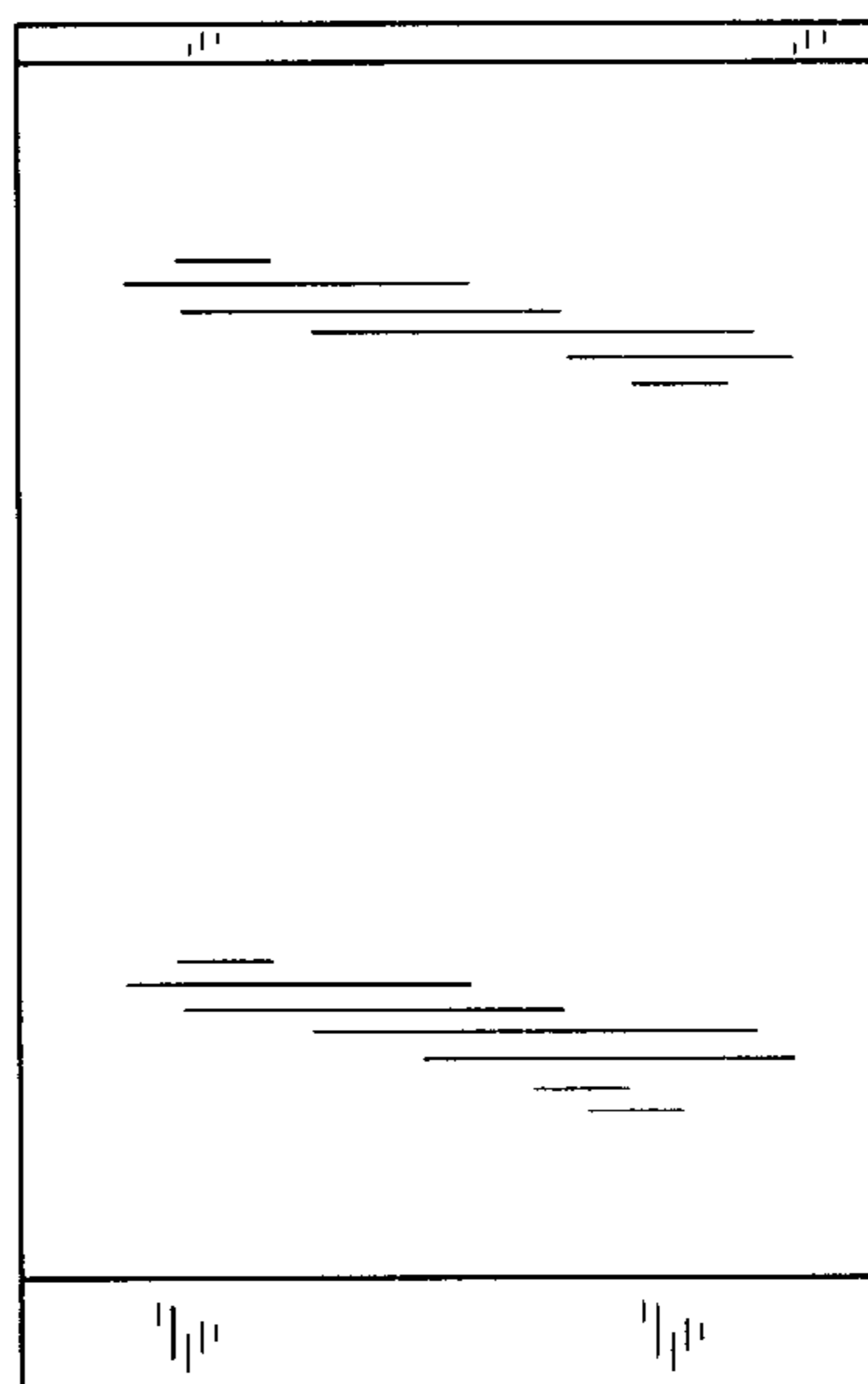


FIG. 4

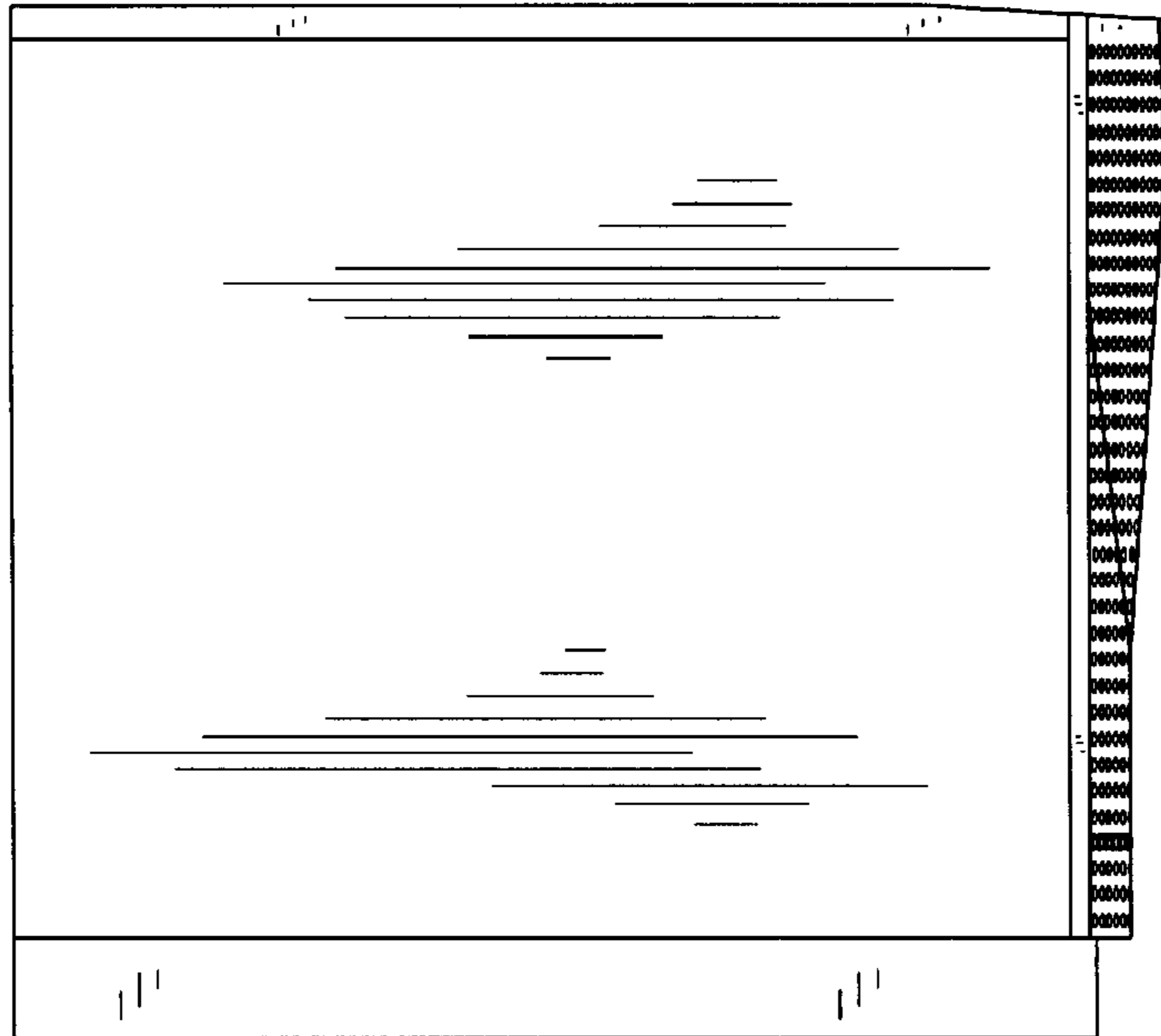


FIG. 5

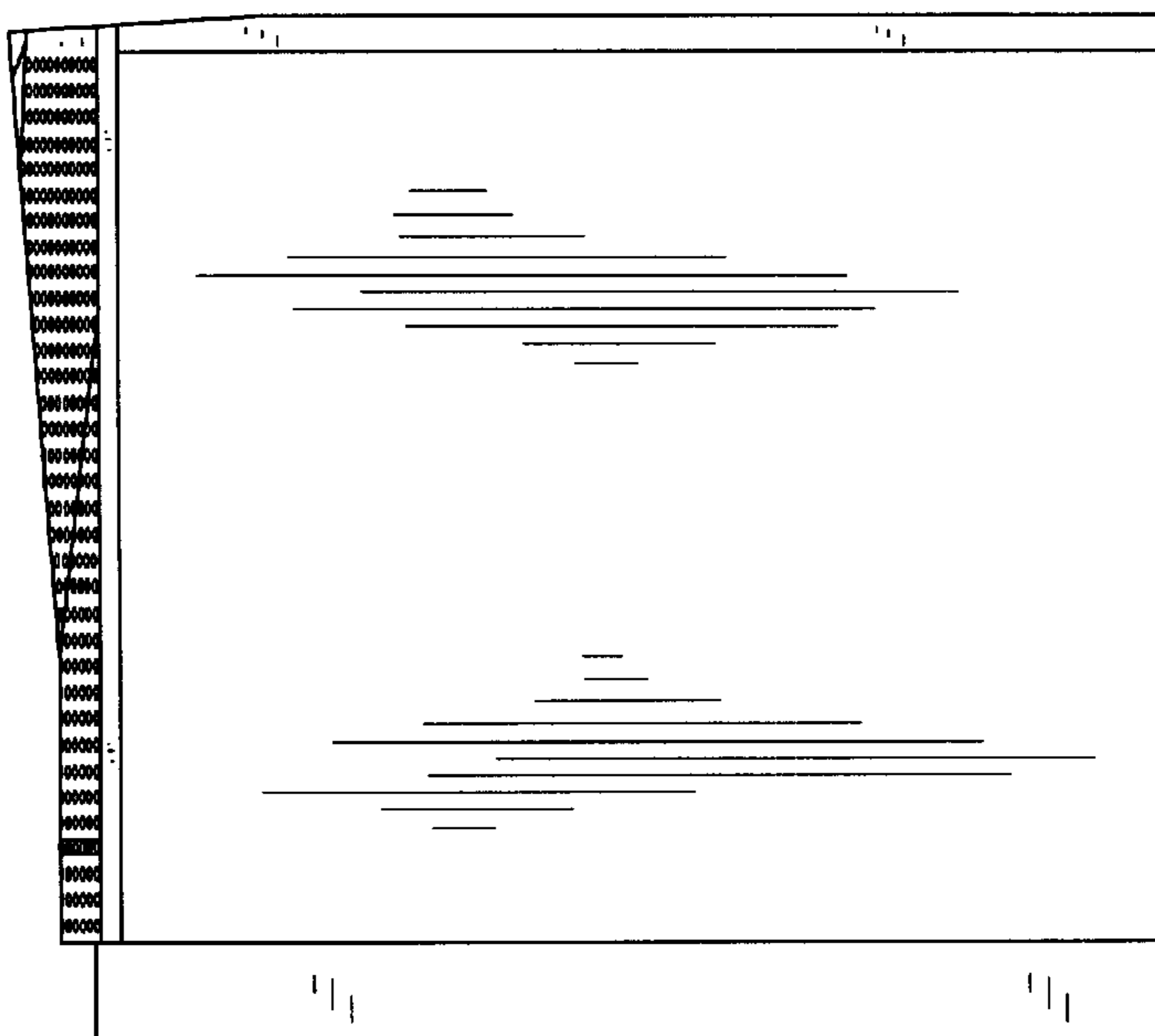


FIG. 6

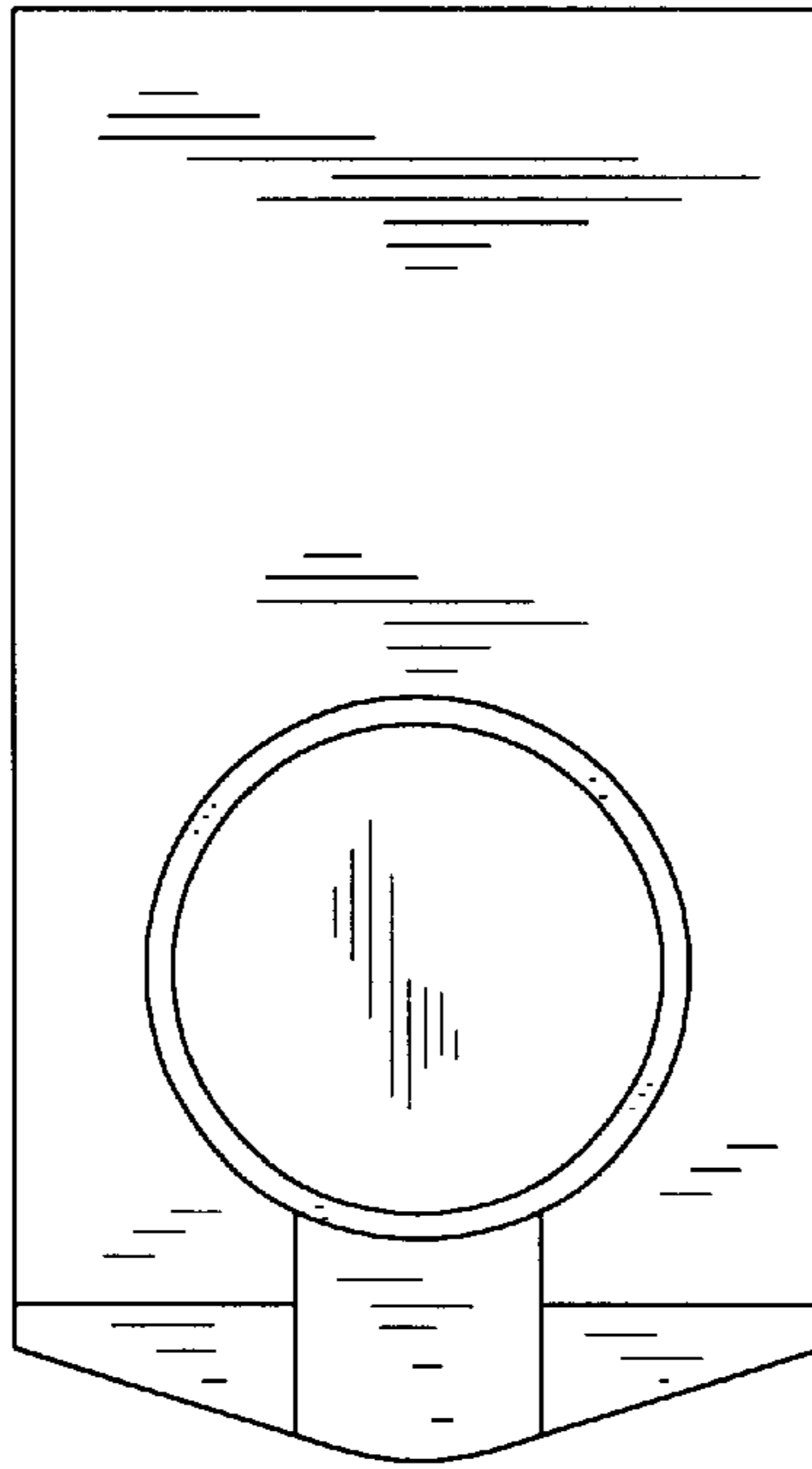


FIG. 7

