



US00D469085S

(12) **United States Design Patent**  
**Hill et al.**

(10) **Patent No.:** **US D469,085 S**

(45) **Date of Patent:** **\*\* Jan. 21, 2003**

(54) **INTEGRATED ALL-IN-ONE COMPUTER**

(75) Inventors: **David Wayne Hill**, Cary, NC (US);  
**Brian Hargrove Leonard**, Durham,  
NC (US); **Richard Sapper**, Stuttgart  
(DE); **John David Swansey**, Durham,  
NC (US)

(73) Assignee: **International Business Machines  
Corporation**, Armonk, NY (US)

(\*\*) Term: **14 Years**

(21) Appl. No.: **29/154,818**

(22) Filed: **Jan. 29, 2002**

(51) **LOC (7) Cl.** ..... **14-02**

(52) **U.S. Cl.** ..... **D14/337**

(58) **Field of Search** ..... D14/336, 337,  
D14/371, 374, 375, 125-129; 345/104,  
156, 168, 173; 348/180, 184, 325, 739;  
248/917-924; 349/1, 2, 11; 341/12

(56) **References Cited**

**U.S. PATENT DOCUMENTS**

D344,933 S	*	3/1994	Wiseman et al.	.....	D14/375
D354,949 S	*	1/1995	Yao	.....	D14/337
D370,466 S	*	6/1996	Vossoughi	.....	D14/336

\* cited by examiner

*Primary Examiner*—Freda Nunn  
(74) *Attorney, Agent, or Firm*—Bracewell & Patterson; J  
Bruce Schelkopf

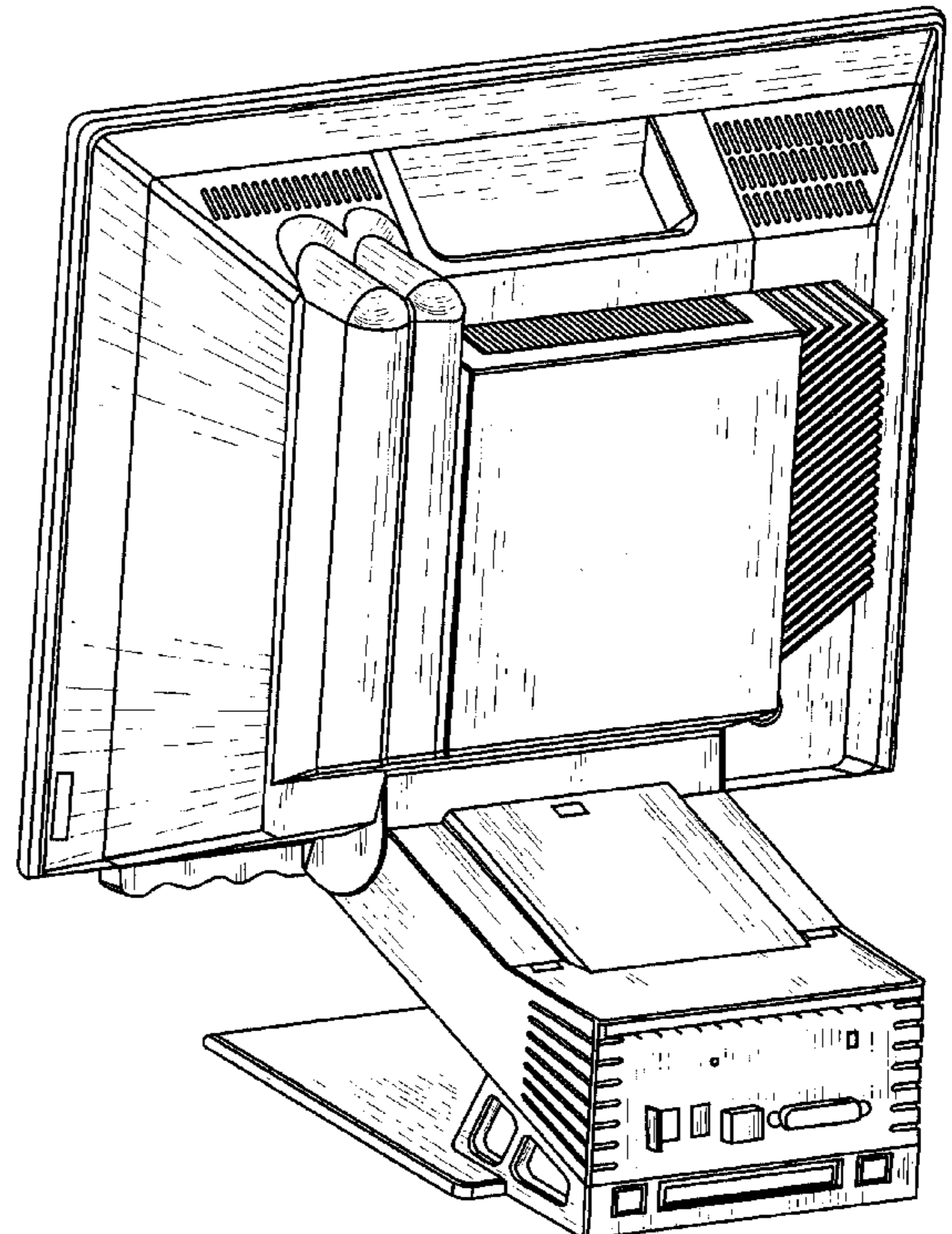
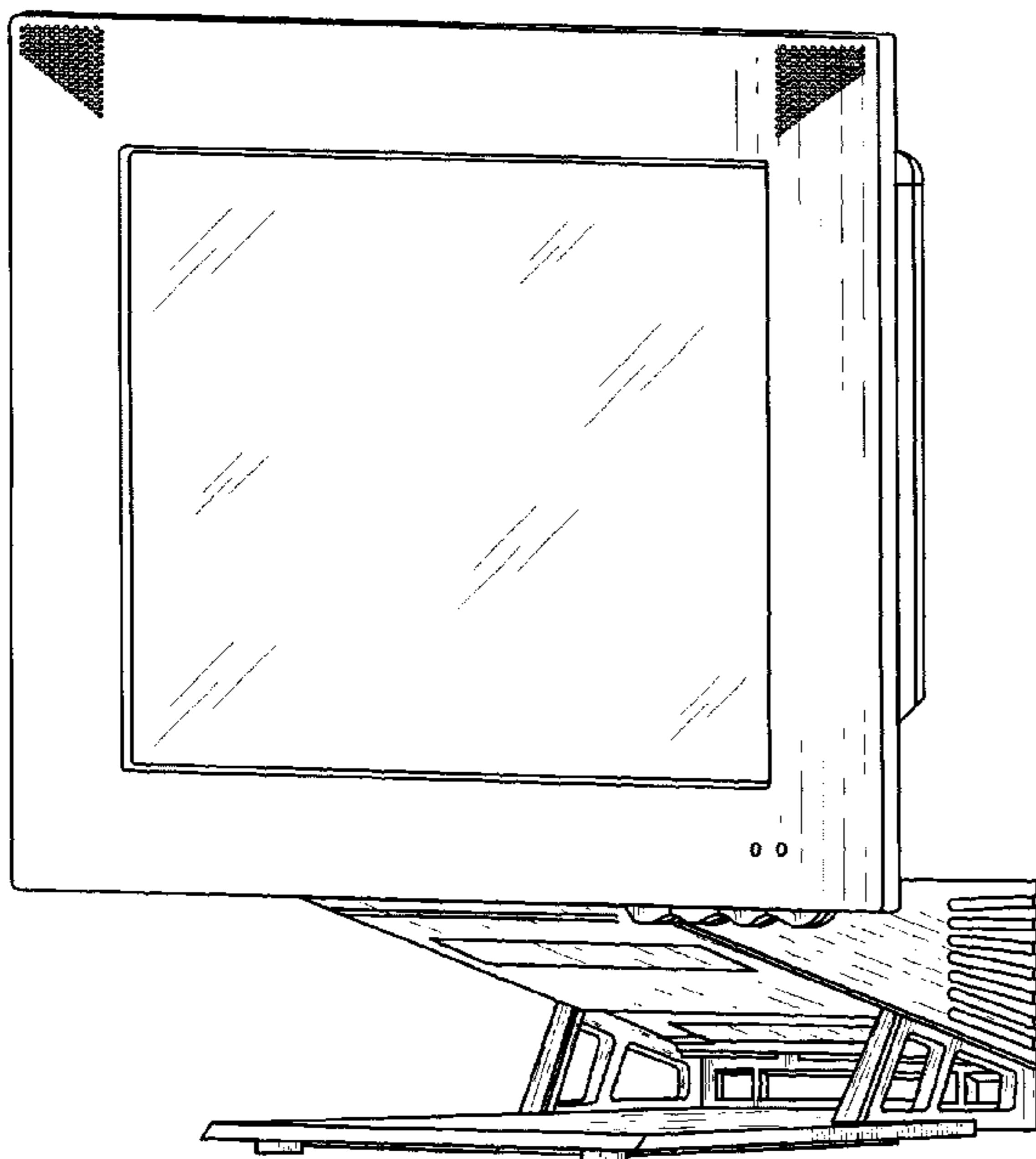
(57) **CLAIM**

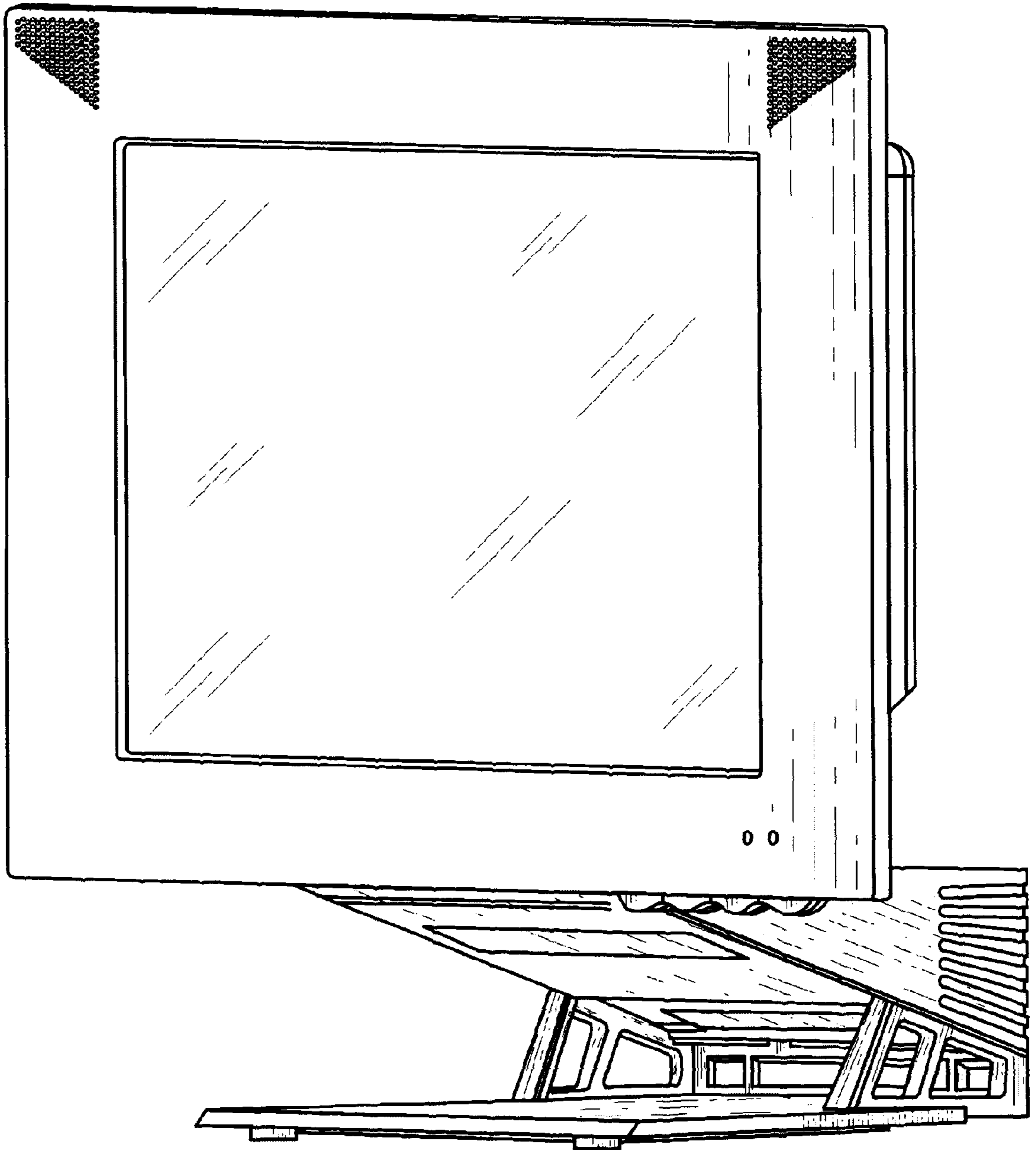
The ornamental design for an integrated all-in-one com-  
puter, as shown and described.

**DESCRIPTION**

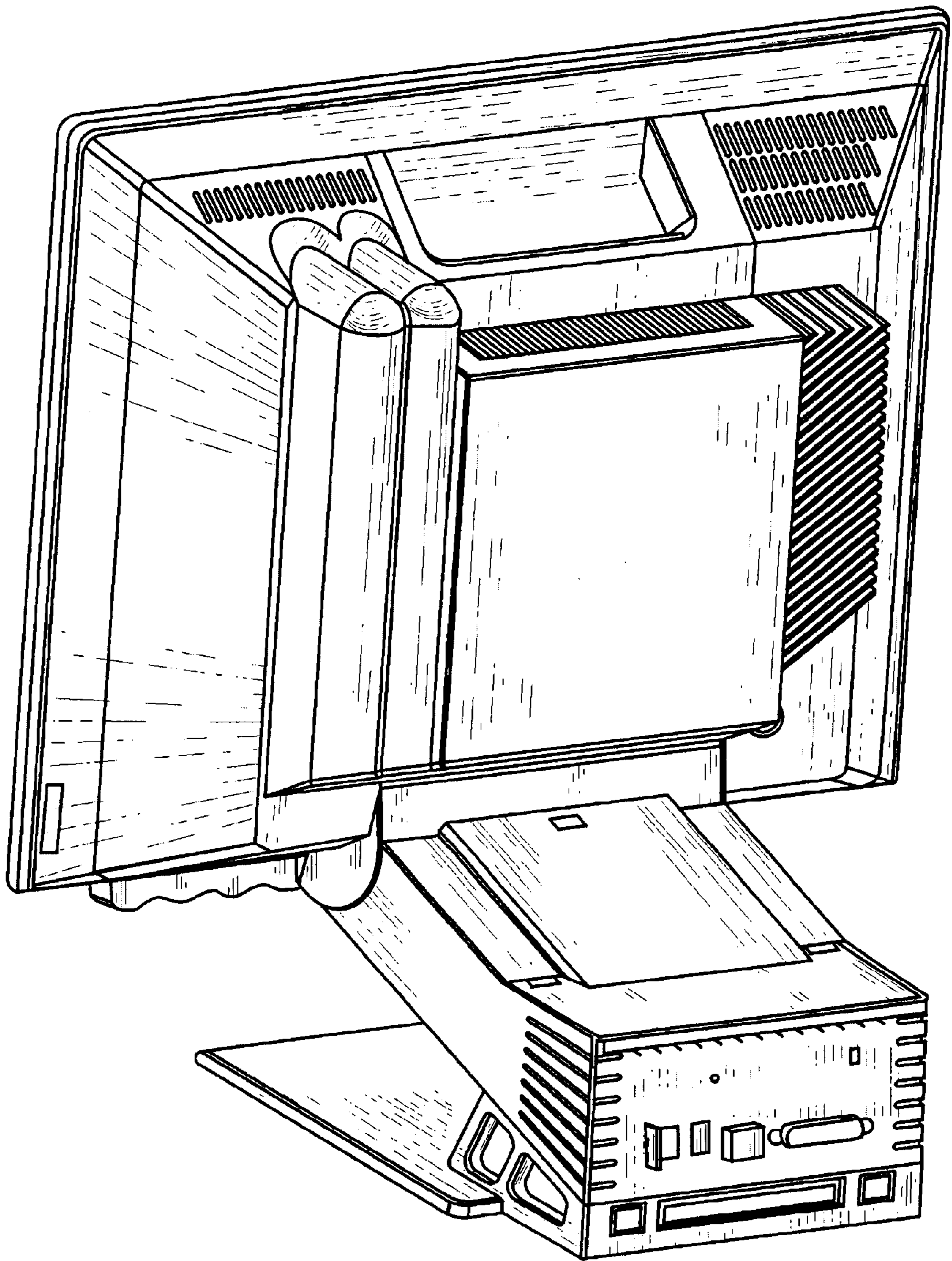
FIG. 1 is a left front isometric view of a first embodiment of  
an all-in-one computer constructed in accordance with the  
present invention;  
FIG. 2 is a left rear isometric view thereof;  
FIG. 3 is a front elevational view thereof;  
FIG. 4 is a rear elevational view thereof;  
FIG. 5 is a top view thereof;  
FIG. 6 is a left side elevational view thereof; and  
FIG. 7 is a right side elevational view thereof.  
FIG. 8 is a left front isometric view of a second embodiment  
of an all-in-one computer constructed in accordance with the  
present invention;  
FIG. 9 is a left rear isometric view thereof;  
FIG. 10 is a front elevational view thereof;  
FIG. 11 is a rear elevational view thereof;  
FIG. 12 is a top view thereof;  
FIG. 13 is a left side elevational view thereof; and,  
FIG. 14 is a right side elevational view thereof.

**1 Claim, 14 Drawing Sheets**

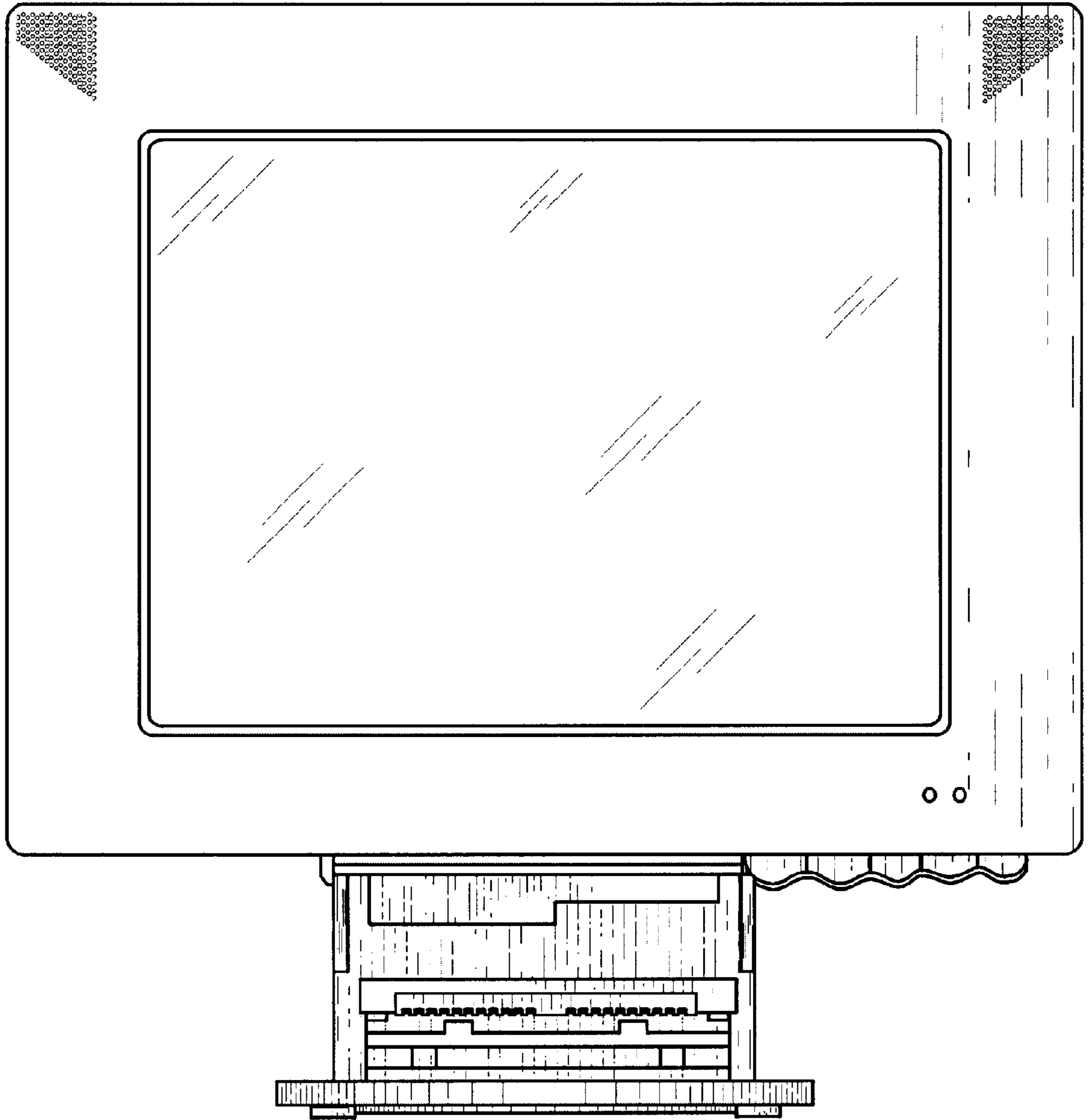




**FIG. 1**



**FIG. 2**



**FIG. 3**

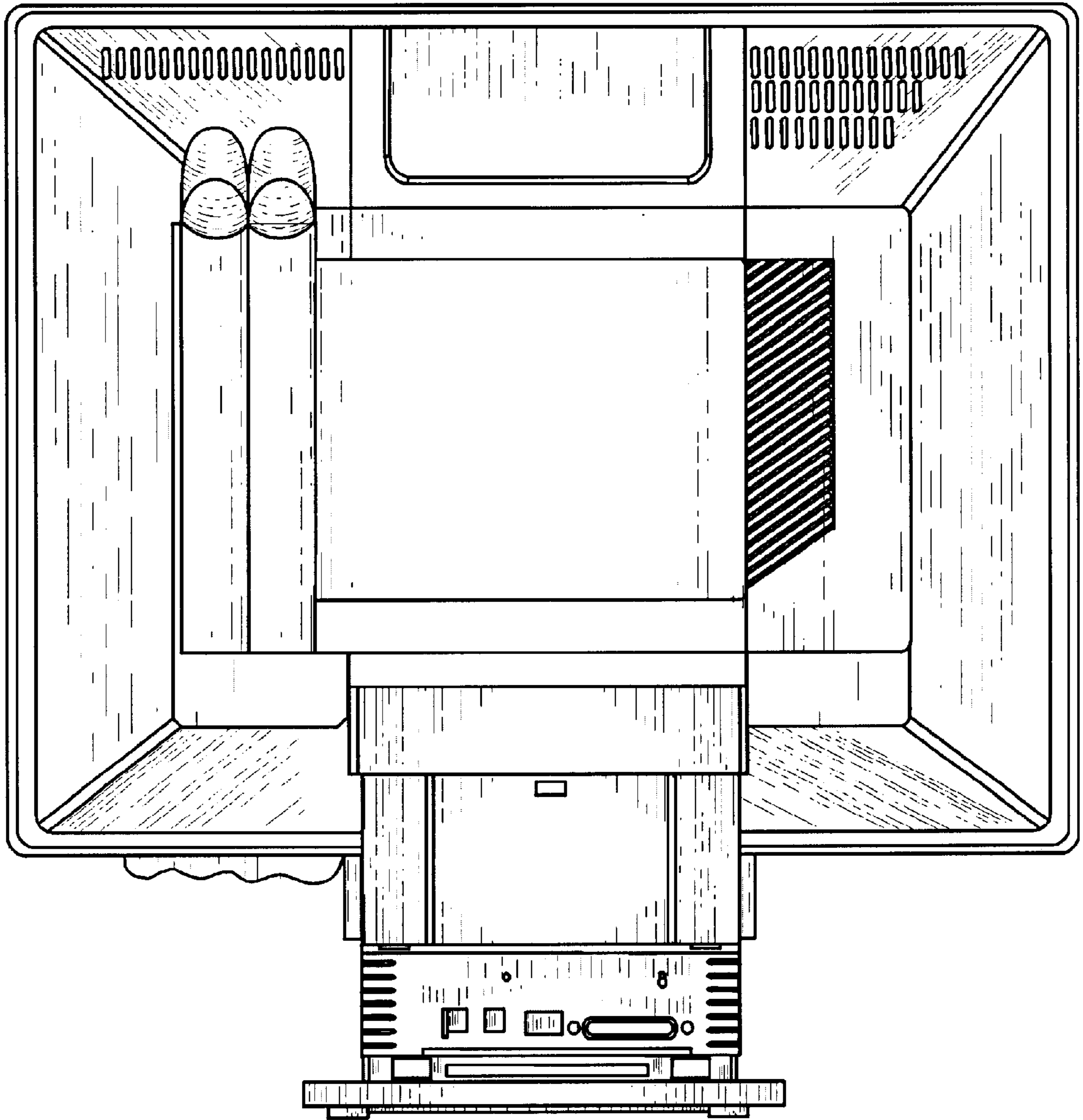


FIG. 4

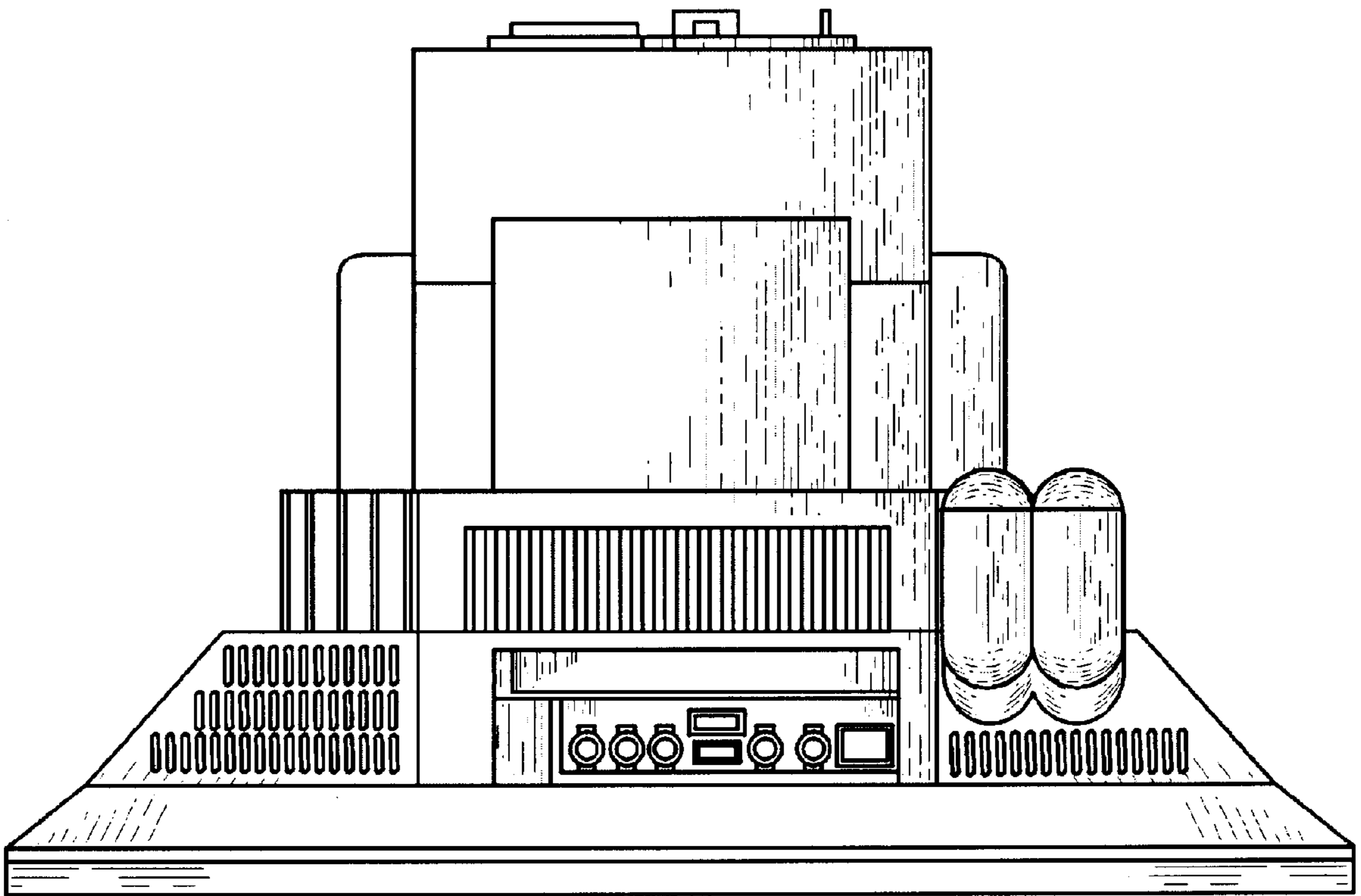
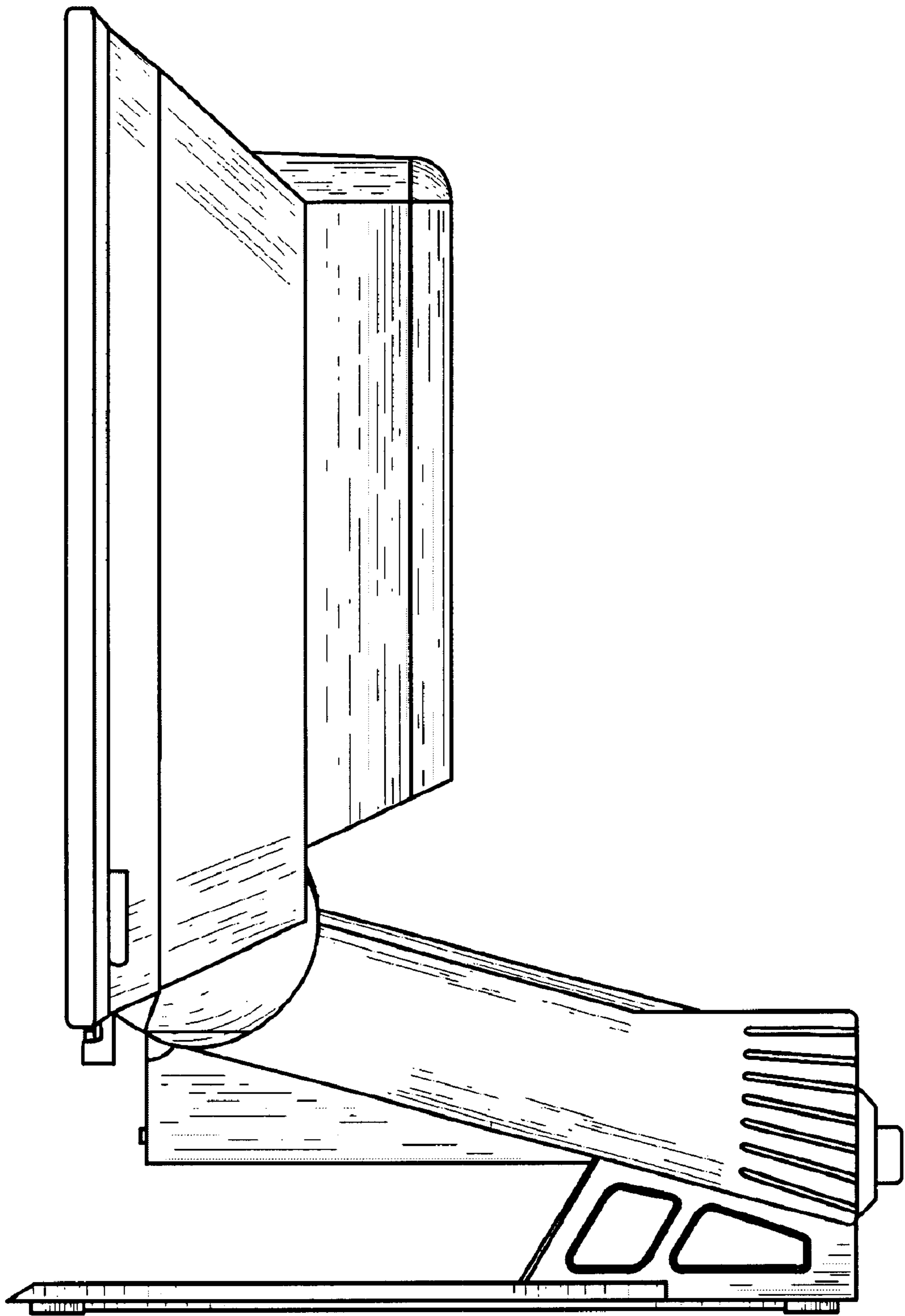
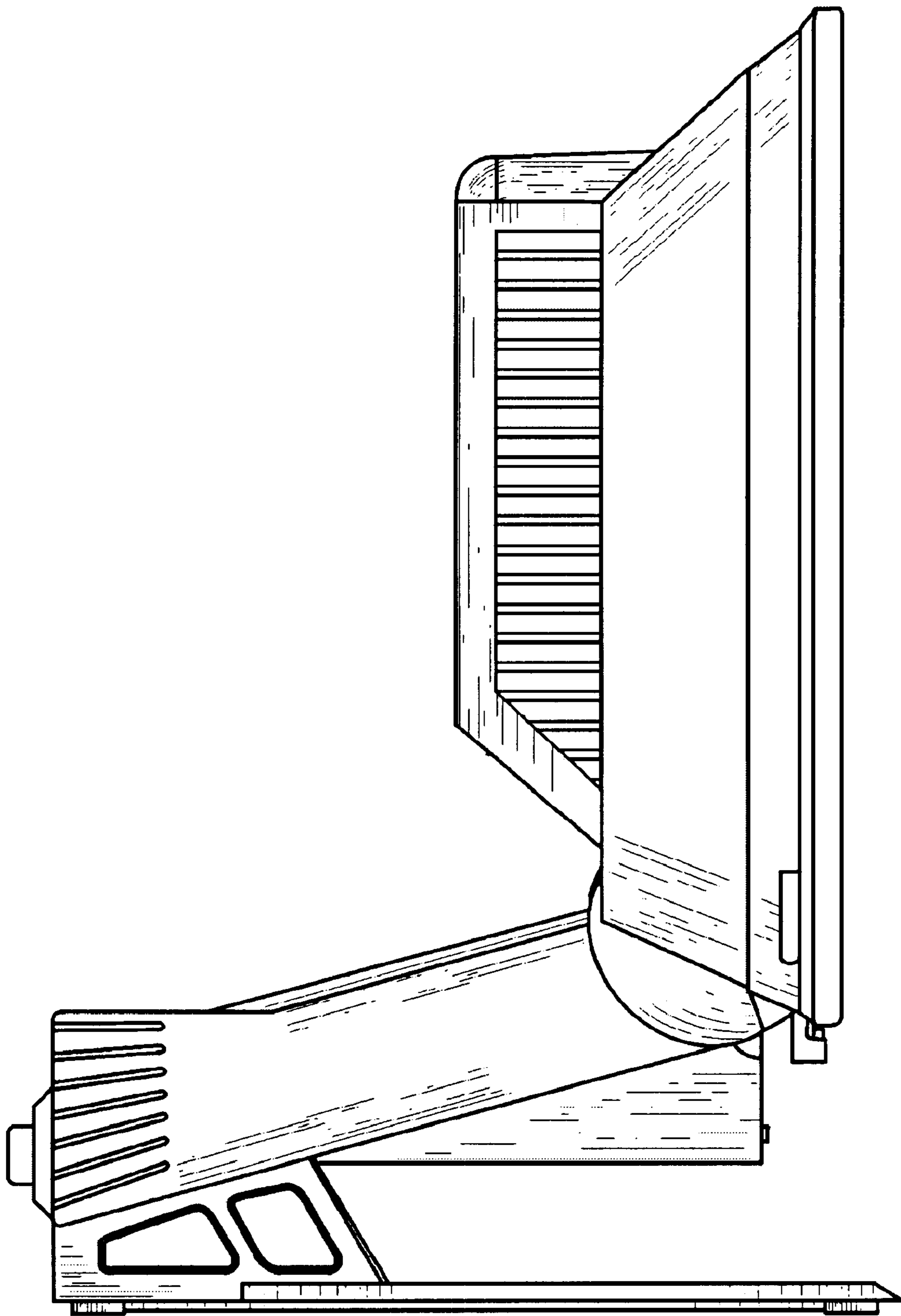


FIG. 5

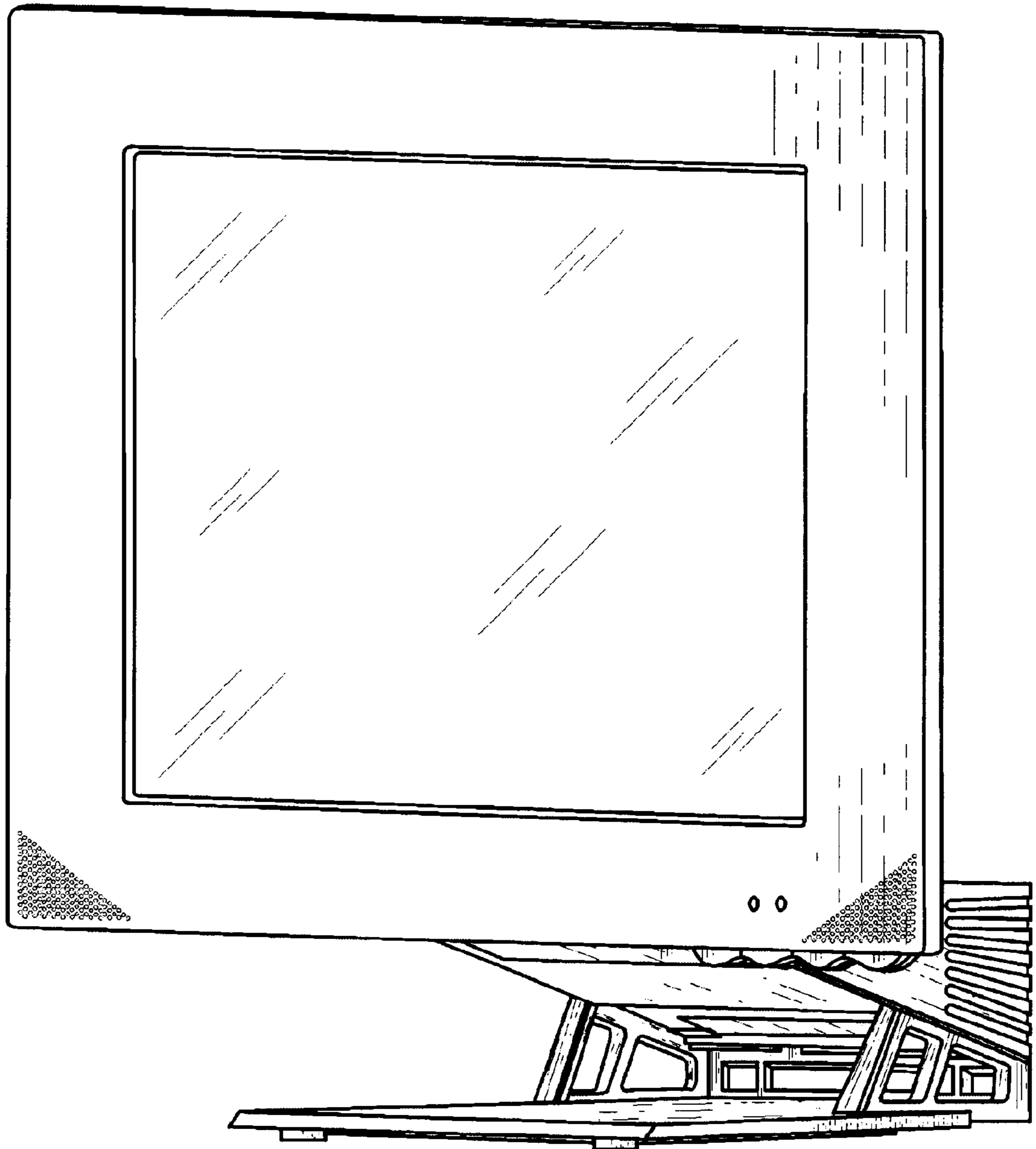


**FIG. 6**

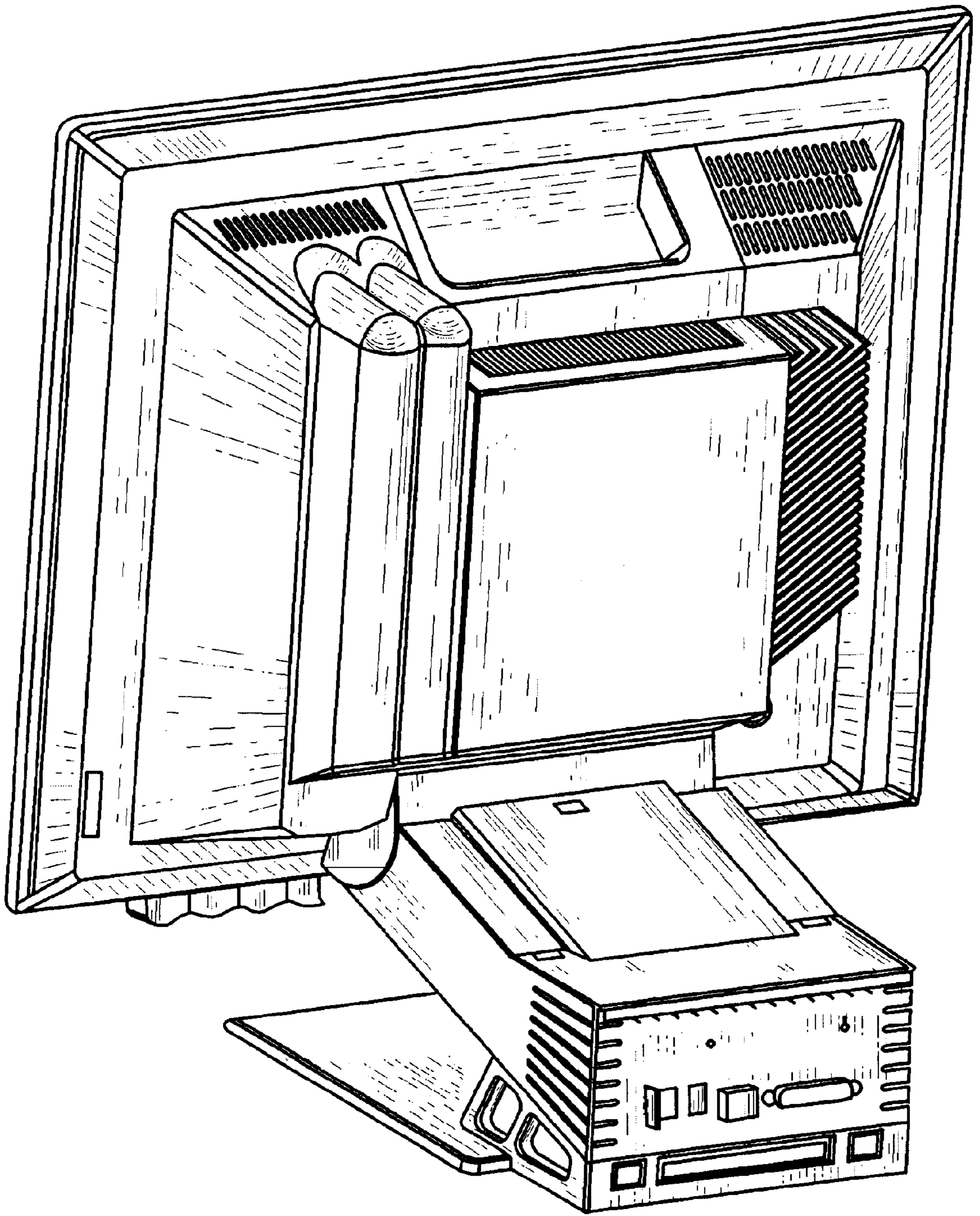


**FIG. 7**

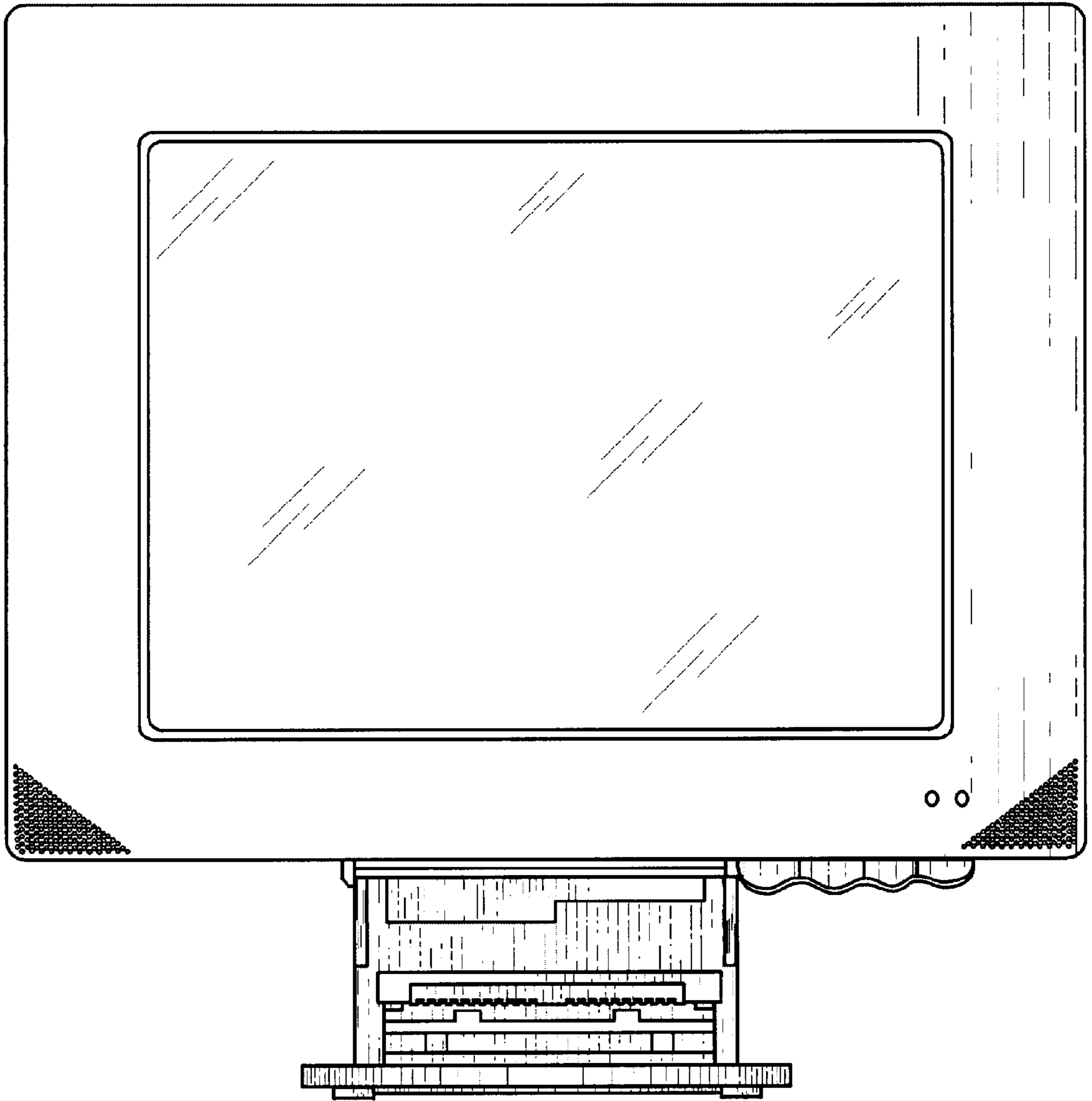




**FIG. 8**



**FIG. 9**



**FIG. 10**

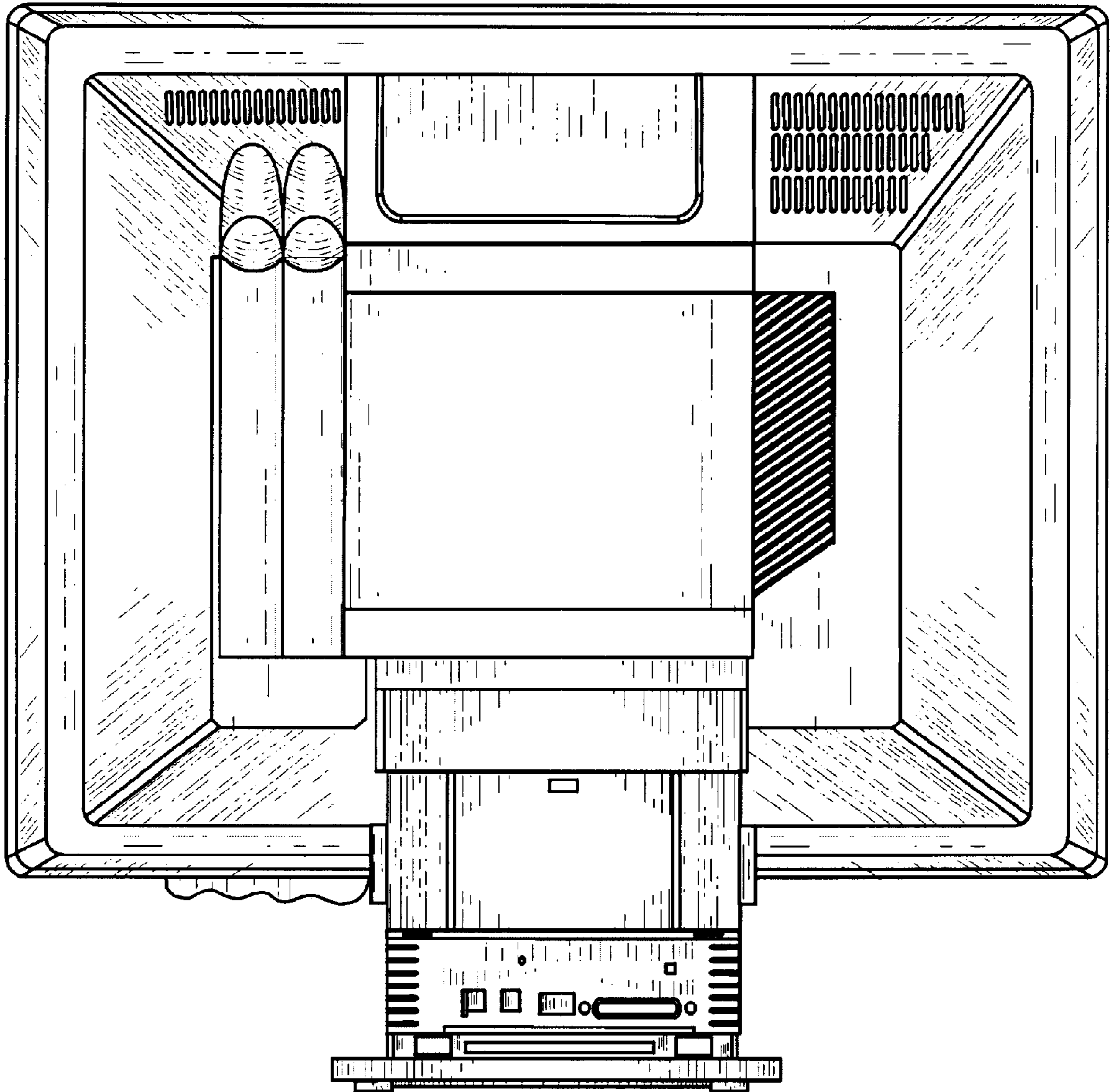
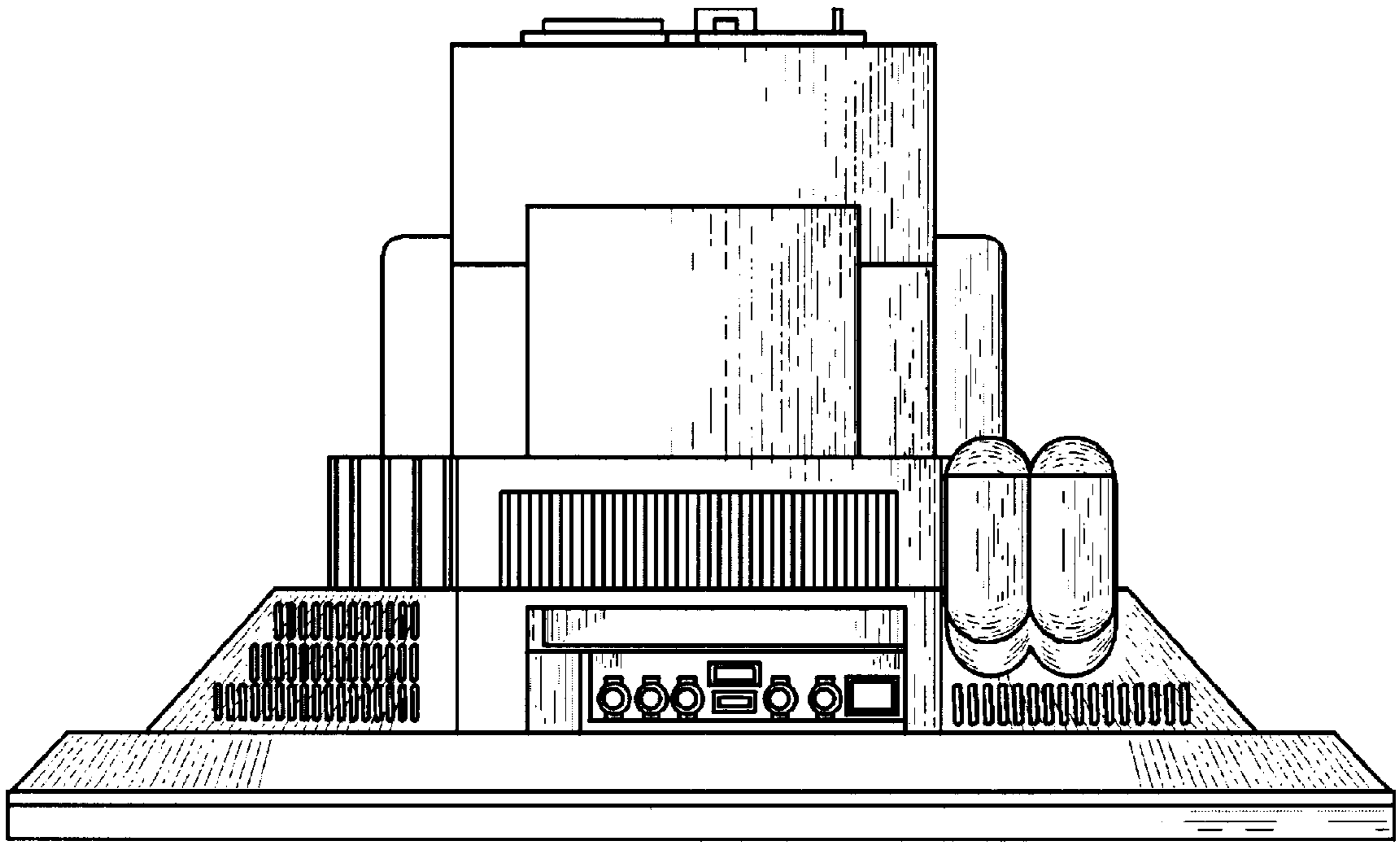
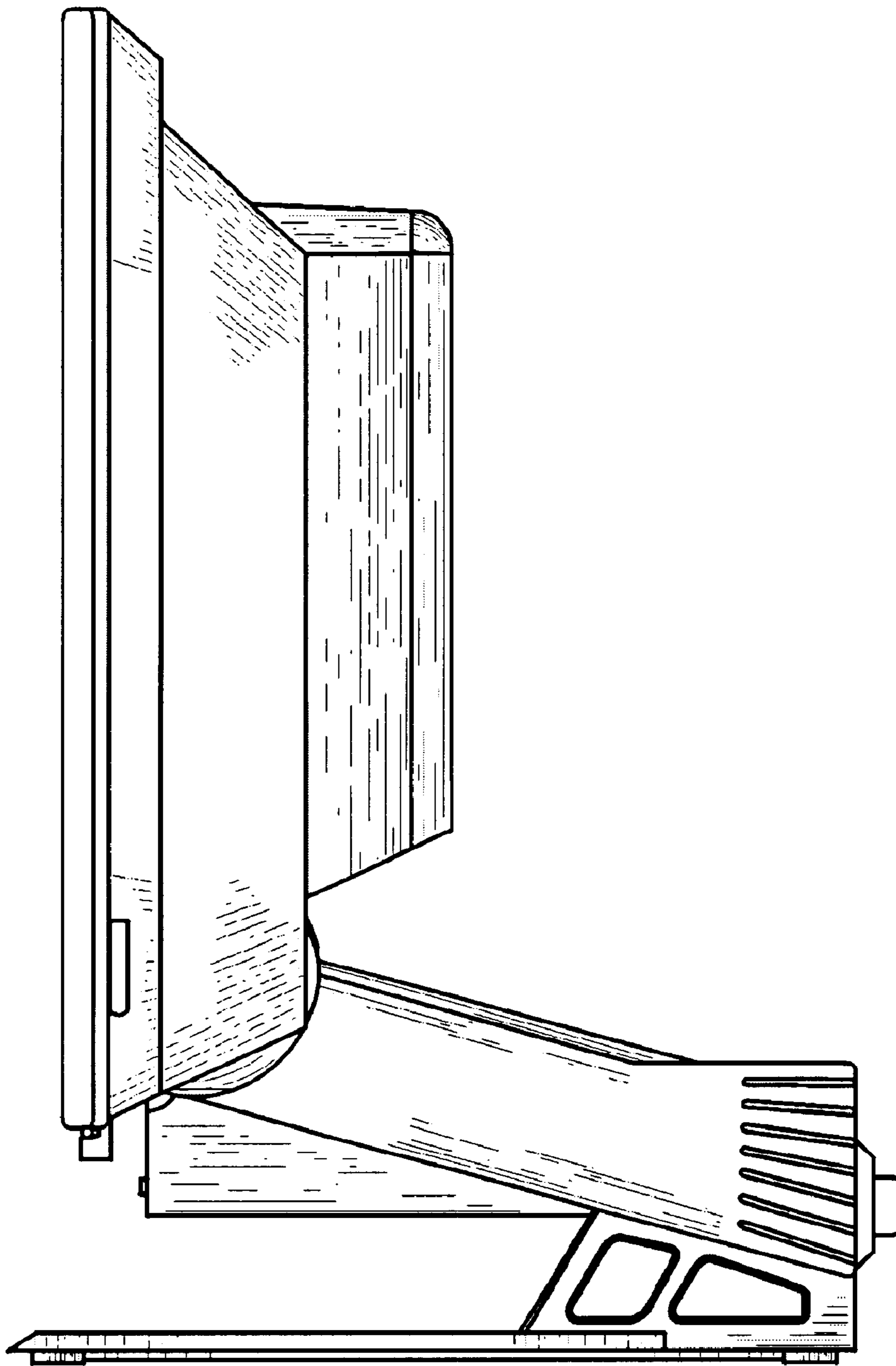


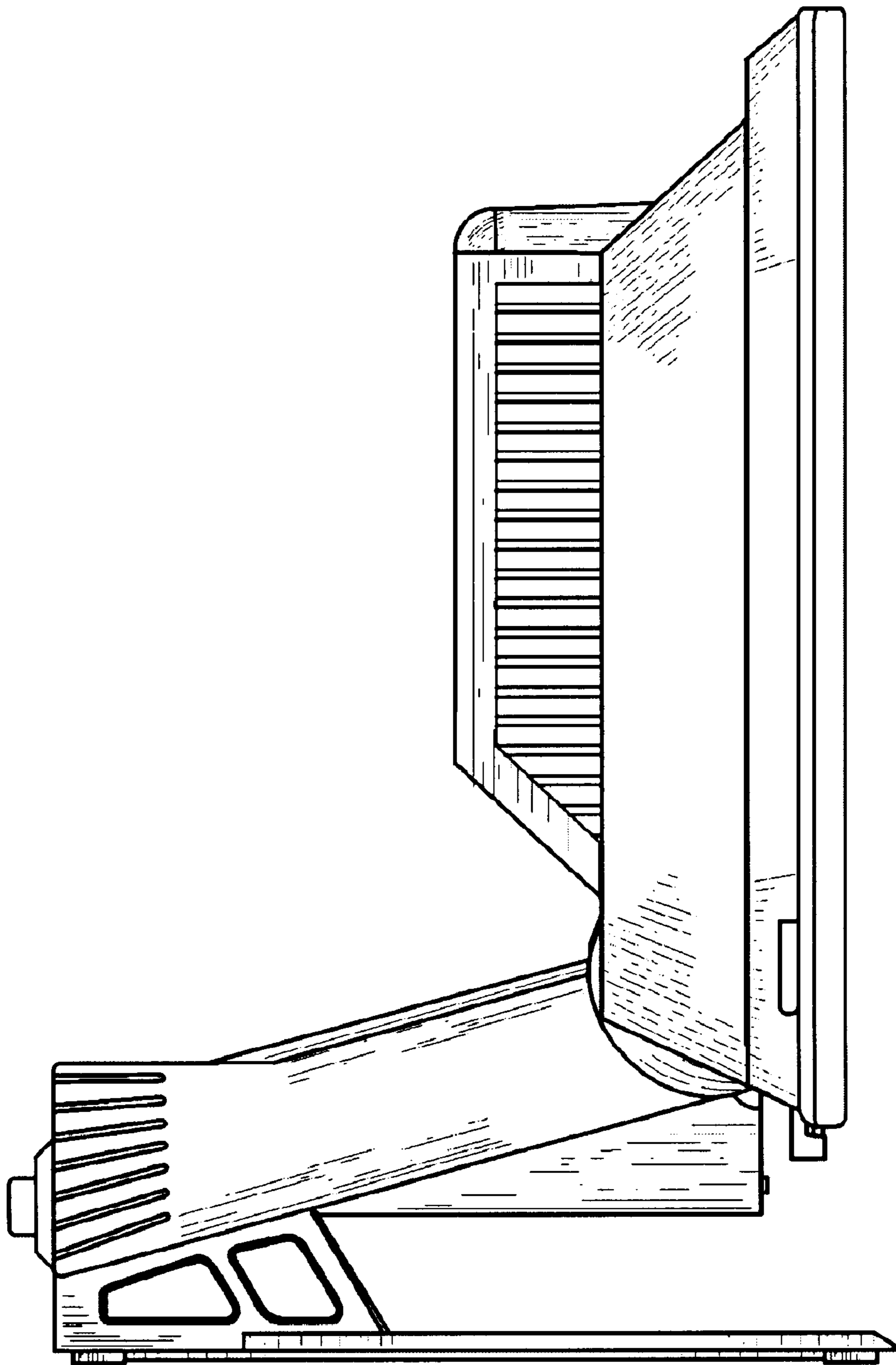
FIG. 11



**FIG. 12**



**FIG. 13**



**FIG. 14**