

US00D469083S

(12) **United States Design Patent**
Tsuzuki et al.

(10) **Patent No.:** **US D469,083 S**

(45) **Date of Patent:** **** Jan. 21, 2003**

(54) **COMPUTER**

D368,076 S * 3/1996 Kuramitsu et al. D14/310
D371,347 S * 7/1996 Utsuki et al. D14/310
D429,721 S * 8/2000 Tsuzuki et al. D14/310

(75) Inventors: **Hiroyuki Tsuzuki**, Tokyo (JP);
Toshiaki Komatsu, Tokyo (JP);
Masatsugu Murakami, Tokyo (JP);
Isao Takahashi, Tokyo (JP); **Tetsuya Nagata**, Tokyo (JP)

* cited by examiner

(73) Assignee: **NEC Corporation**, Tokyo (JP)

Primary Examiner—Freda Nunn
(74) *Attorney, Agent, or Firm*—Sughrue Mion, PLLC

(**) Term: **14 Years**

(57) **CLAIM**

(21) Appl. No.: **29/153,449**

The ornamental design for a computer, as shown.

(22) Filed: **Jan. 10, 2002**

DESCRIPTION

(30) **Foreign Application Priority Data**

Jul. 11, 2001 (JP) 2001-020365

FIG. 1 is a perspective view of the top, front and right side of a computer showing our new design;

(51) **LOC (7) Cl.** **14-02**

FIG. 2 is a front elevational view thereof;

(52) **U.S. Cl.** **D14/310**

FIG. 3 is a rear elevational view thereof;

(58) **Field of Search** D14/308, 310–312,
D14/356; D13/162, 184, 199; 360/99.01–99.12;
361/690–696; 369/34.01, 36.01

FIG. 4 is a left side elevational view thereof;

FIG. 5 is a right side elevational view thereof;

FIG. 6 is a top plan view thereof; and,

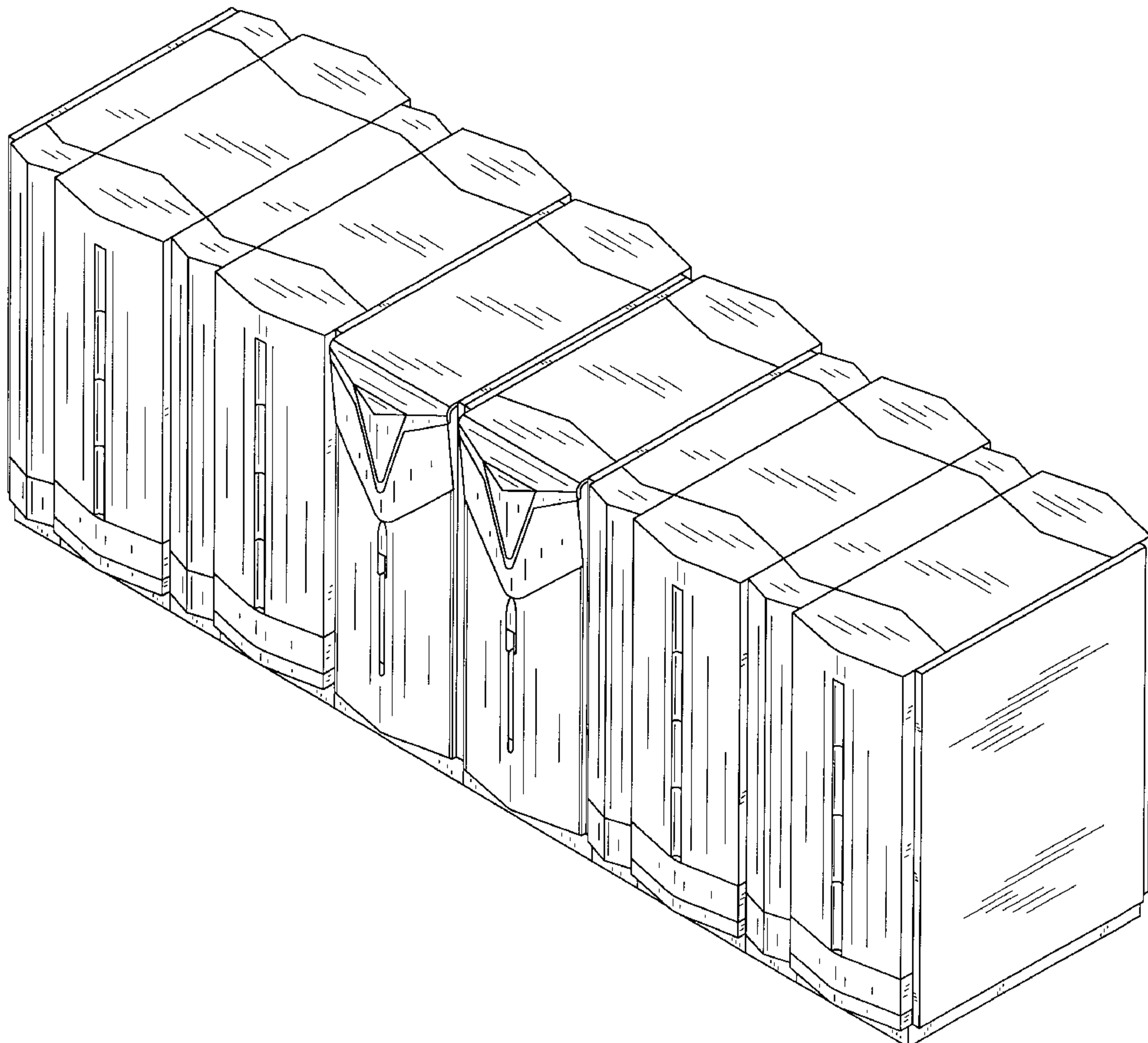
FIG. 7 is a bottom plan view thereof.

(56) **References Cited**

U.S. PATENT DOCUMENTS

D197,465 S * 2/1964 Massarella D14/310

1 Claim, 4 Drawing Sheets



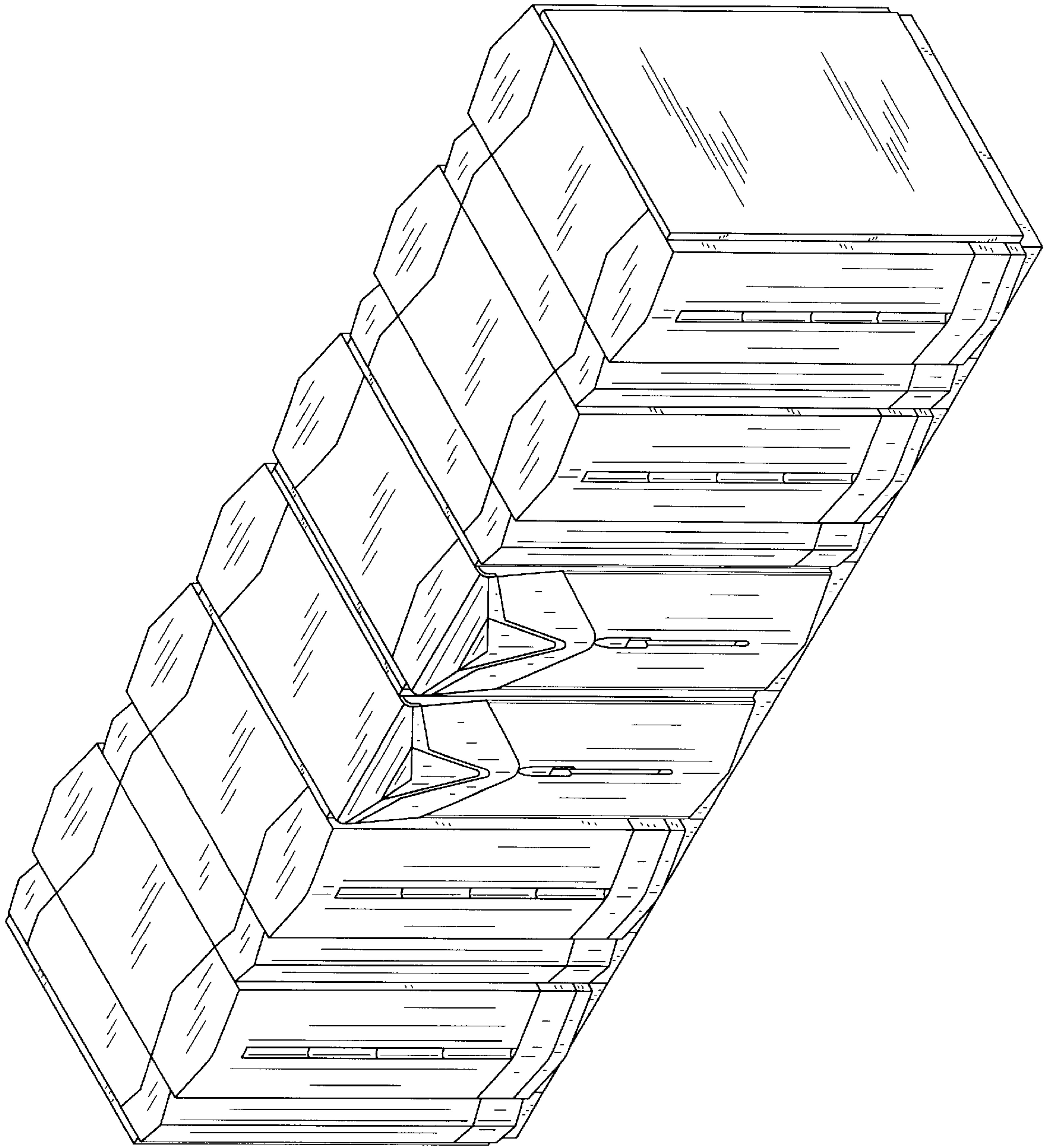


FIG. 1

FIG. 2

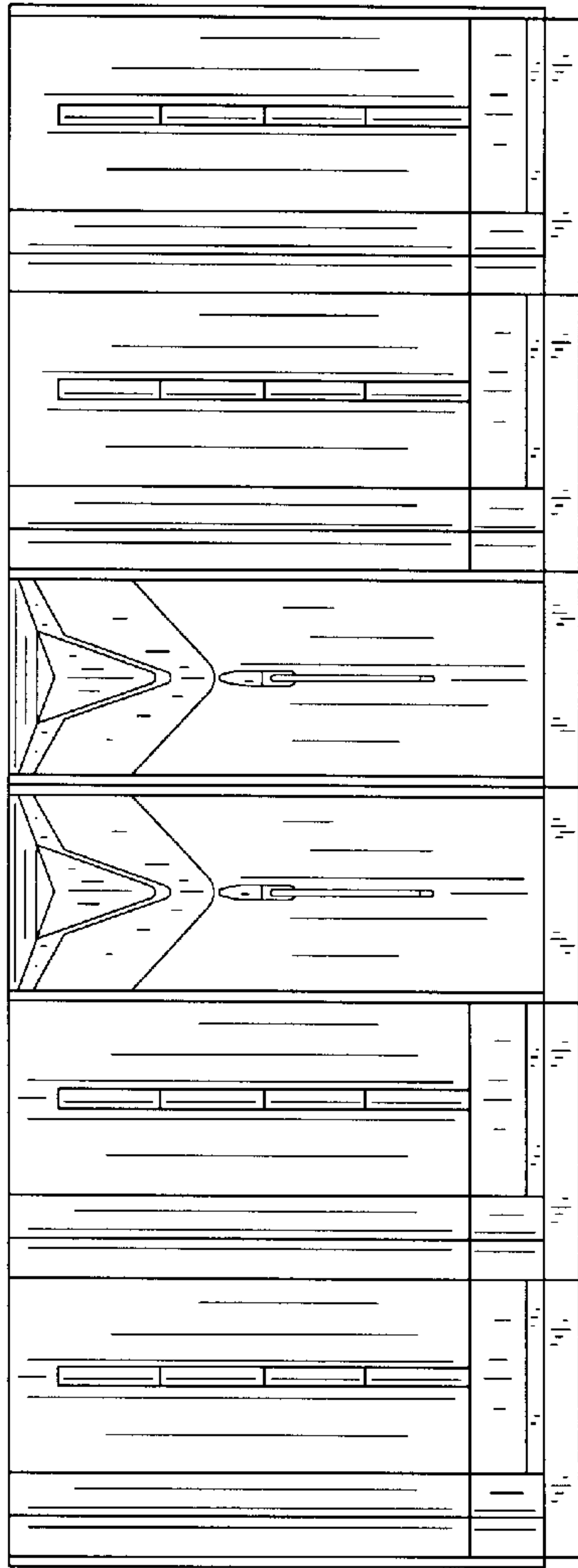


FIG. 3

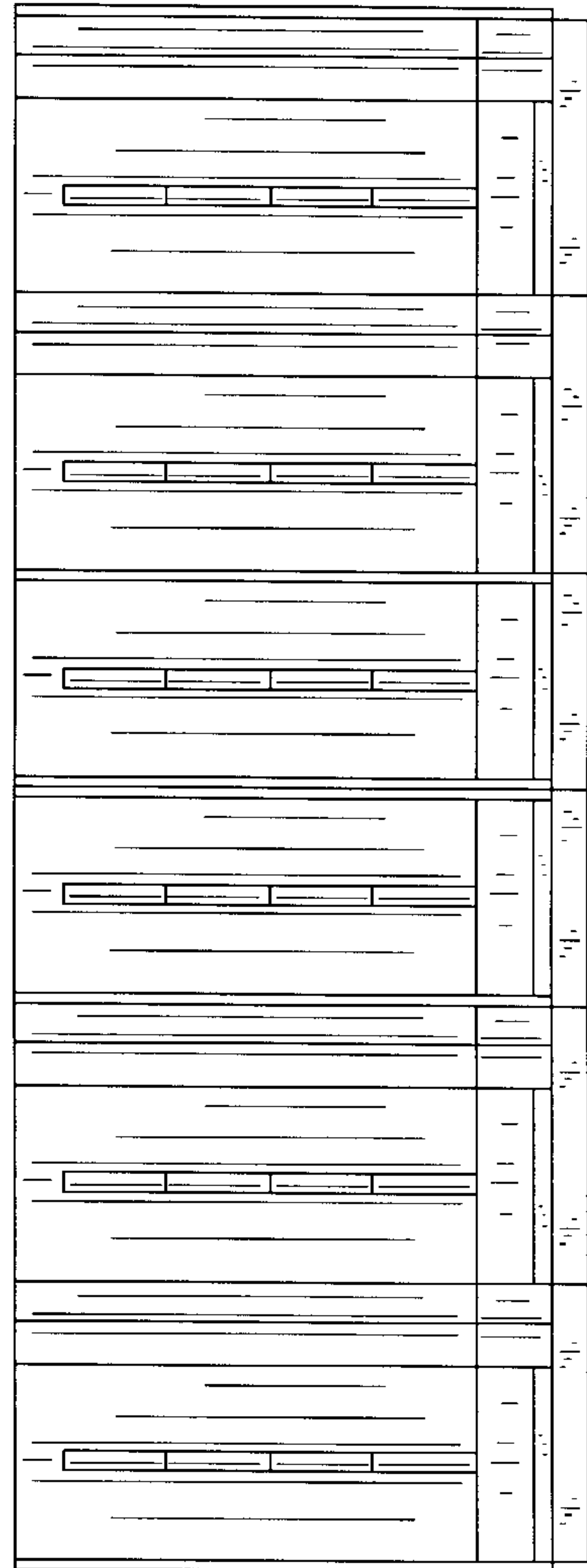


FIG. 4

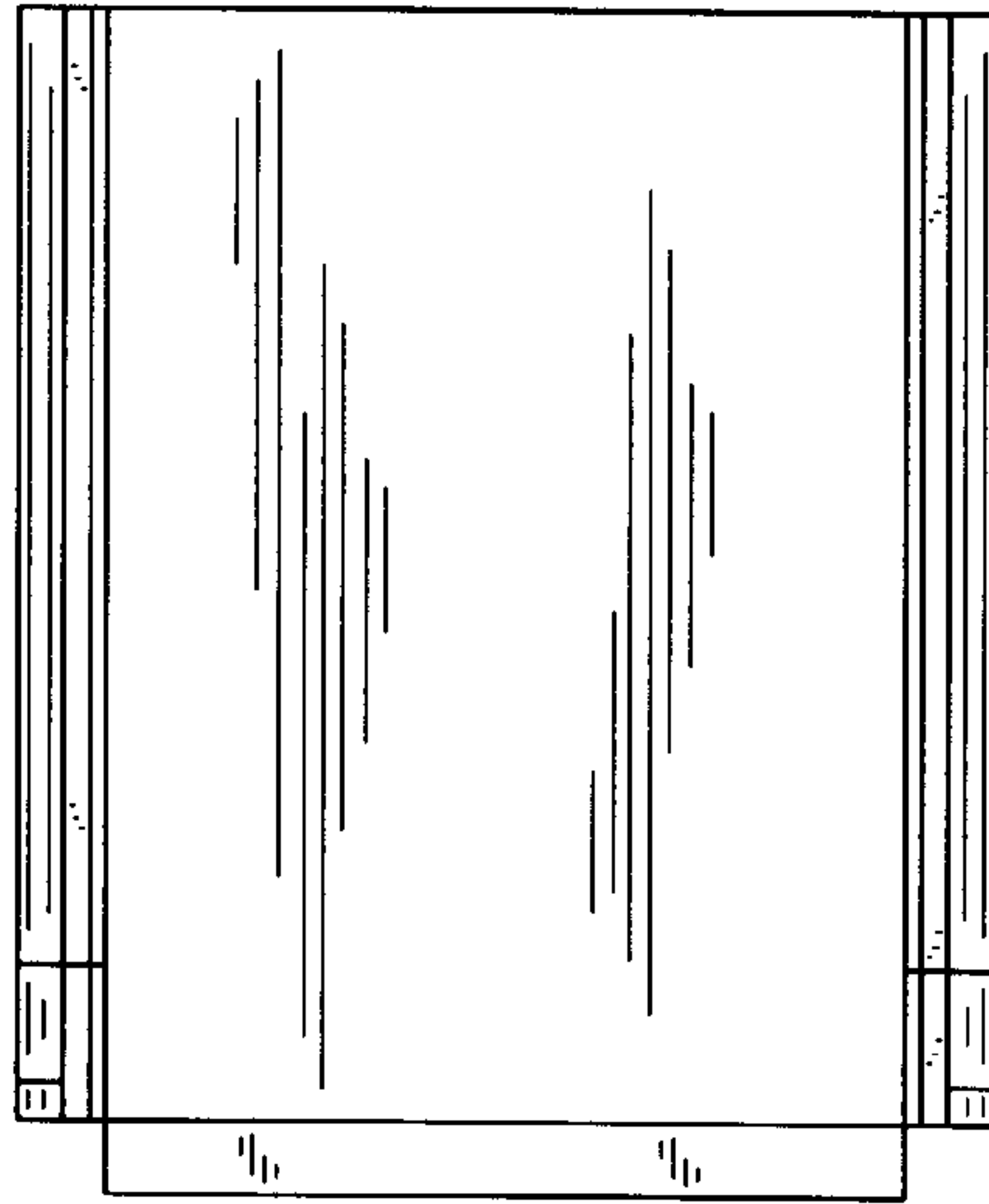


FIG. 5

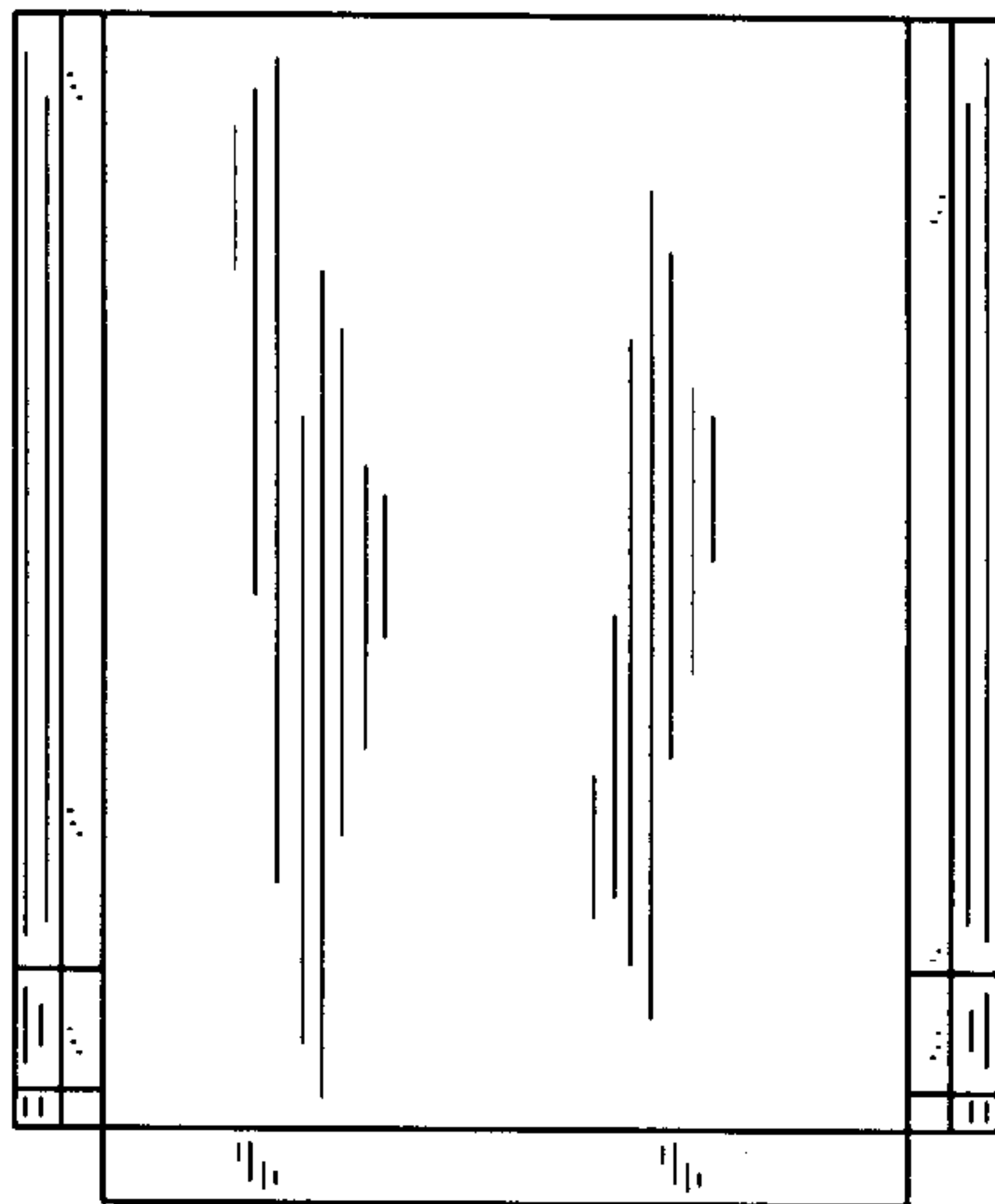


FIG. 6

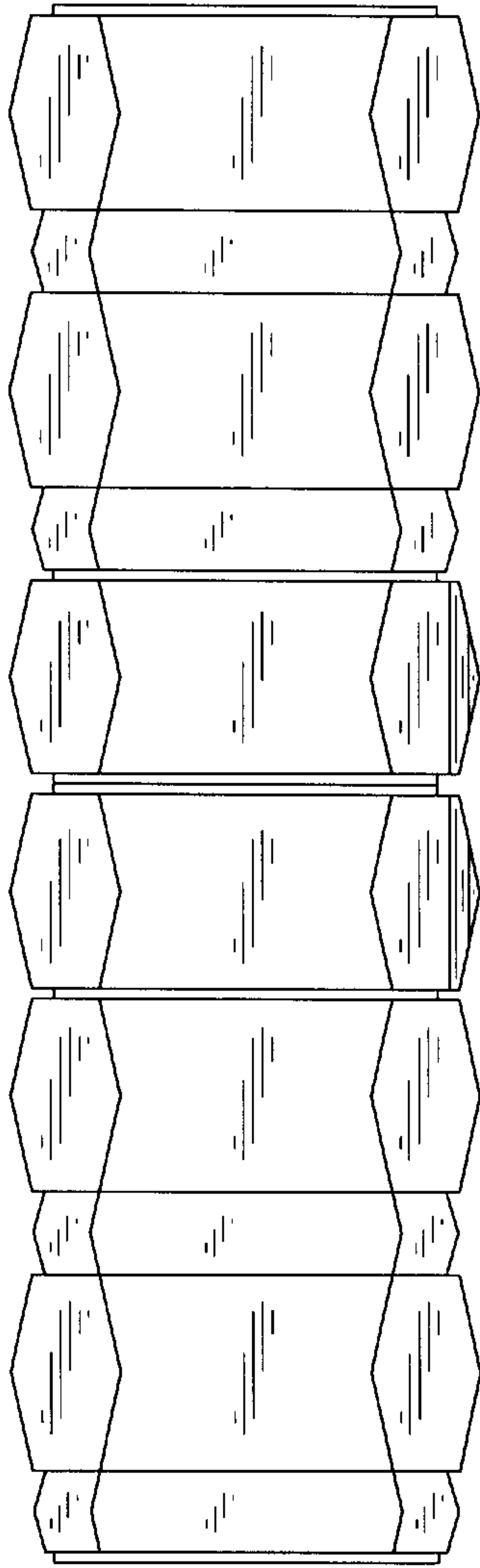


FIG. 7

